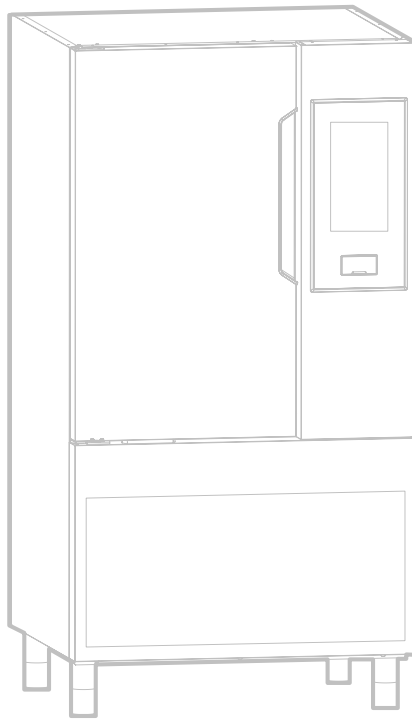


**BLAST CHILLER- FREEZER
ABBATTITORI CONGELATORI**

SKCH 10GN 1_1

| Type Reference | Ref | Page | Description | note |
|-----------------|-----|-----------|------------------------------|------|
| SKCH50B | a | 3_4_5_6_7 | BCF 50KG 380V BUILT IN 50 HZ | EU |
| SKCH50R | b | 3_4_5_6_7 | BCF 50KG 380V REMOTO 50/60HZ | EU |
| SKCHU50B | c | 3_4_5_6_7 | BCF 50KG 208V BUILT IN 60 HZ | USA |



Index

| | |
|---|------------------|
| Descriptions type reference/Descrizione di type reference | Page 2 |
| Exploded view internal components/ Vista esplosa componenti interni | 3 |
| Exploded view Doors/ Vista esplosa porte | 4 |
| Exploded view cooling unit/ Vista esplosa gruppo refrigerante | 5 |
| Exploded view cooling unit remote/ Vista esplosa gruppo refrigerante remoto | 6 |
| Control panel/pannello comandi | 7 |
| Spare part list/Lista ricambi | 8-10 |
| Maintenance kit/Kit di manutenzione | 11 |

...Bold= last change/Grassetto =ultima modifica

Rev. 4

How to put in relation the “Type Ref.” reported on the data plate with the “Type reference” reported on the front page of the Spare Part Catalogue:

The “Type Ref.” represents a group of models/brands all with similar technical features, hence possible to be reported under the same scheme in terms of exploded views.

Electrolux

SKCH

- B= UNIT ON BOARD CONDENSING UNIT
- R= REMOTE CONDENSING UNIT
- 30 = range 30 kg
- 50 = range 50 kg
- 70 = range 70 kg
- 100 = range 100 kg
- 150 = range 150 kg
- 200 = range 200 kg
- SKCH = SKYLINE CHILLER\FREEZER (EUROPA\SAUDI ARABIA\KOREA)
- SKCHU = SKYLINE CHILLER\FREEZER (NORD AMERICA)

ES : **SKCH30B** = range 30 kg gn 1\1 with cooling unit (europa etc.)
SKCH30R = range 30 kg gn 1\1 without cooling unit (remote) (europa etc.)
SKCHU30B = range 30 kg gn 1\1 with cooling unit (nord America)
SKCHU30R = range 30 kg gn 1\1 without cooling unit (remote) (nord America)

Find below an identification example: SKCH30B

| | | | |
|---|---------------------------|-------------------|-----------------|
| F.Mod. PNC 9VTX..... | Comm.Model Ser.Nr..... | Type Ref. SKCH30B | 2019 |
| W.Tot. kW | Volt..... Hz..... | Cyclopentane | Total Current A |
| Evaporation Heater El. kW | Class x | GWP | CO2-eq t |
| Lighting W | Cap. Refrigerant | Kg | |
| Defrost Power kW | Heating power kW | | |
| NF nominal Charge | | | |
| Rated Pressure Mpa | | CE | REE |
| IPX4 | | | |
| Electrolux Professional SPA - Viale Treviso, 15 - 33170 Pordenone (Italy) | | | |

For the right spare code identification follow the steps:

- 1.Type in the website the PNC reported on the data plate.
- 2.The website will automatically display this spare part catalogue.
- 3.The spare part code at this point is referenced through the “Type reference” as from the front page by the relevant “Ref”.

Come mettere in relazione il “Type Ref.” Riportato sulla targhetta caratteristica con il “Type reference” riportato sul frontespizio del catalogo ricambi:

Il “Type Ref.” Rappresenta un gruppo di modelli/marchi con simili caratteristiche tecniche, ossia possibili da rappresentare con il medesimo schema in termini di vista esplosa.

Electrolux

SKCH

- B= UNITA' CON GRUPPO
- R= UNITA' PREDISPOSTA REMOTA
- 30 = MODELLO 30 kg
- 50 = MODELLO 50 kg
- 70 = MODELLO 70 kg
- 100 = MODELLO 100 kg
- 150 = MODELLO 150 kg
- 200 = MODELLO 200 kg
- SKCH = SKYLINE CHILLER\FREEZER (EUROPA\SAUDI ARABIA\KOREA)
- SKCHU = SKYLINE CHILLER\FREEZER (NORD AMERICA)

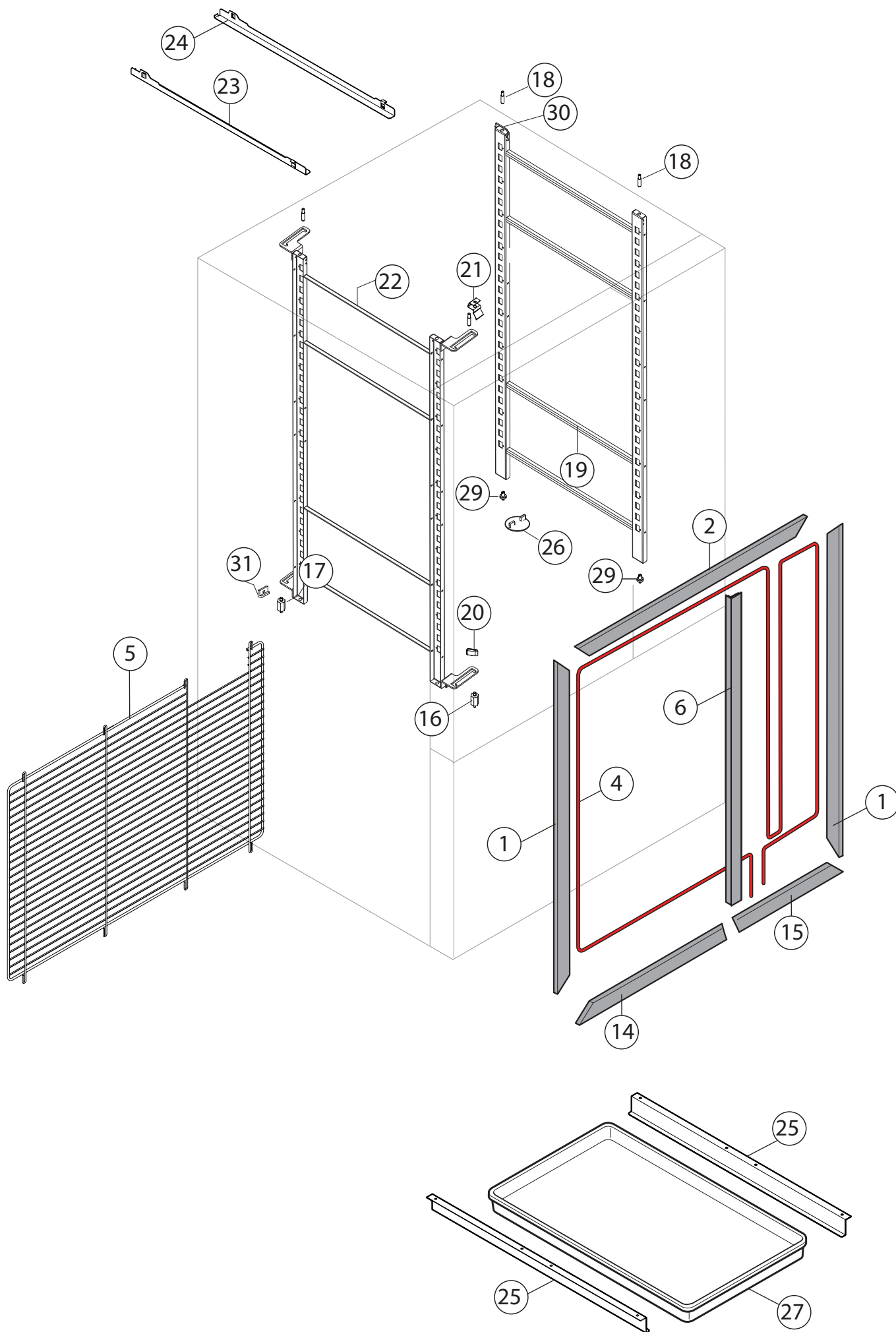
ES : **SKCH30B** = range 30 kg gn 1\1 con gruppo (europa etc.)
SKCH30R = range 30 kg gn 1\1 predisposto remoto (europa etc.)
SKCHU30B = range 30 kg gn 1\1 con gruppo (nord America)
SKCHU30R = range 30 kg gn 1\1 predisposto remoto (remote) (nord America)

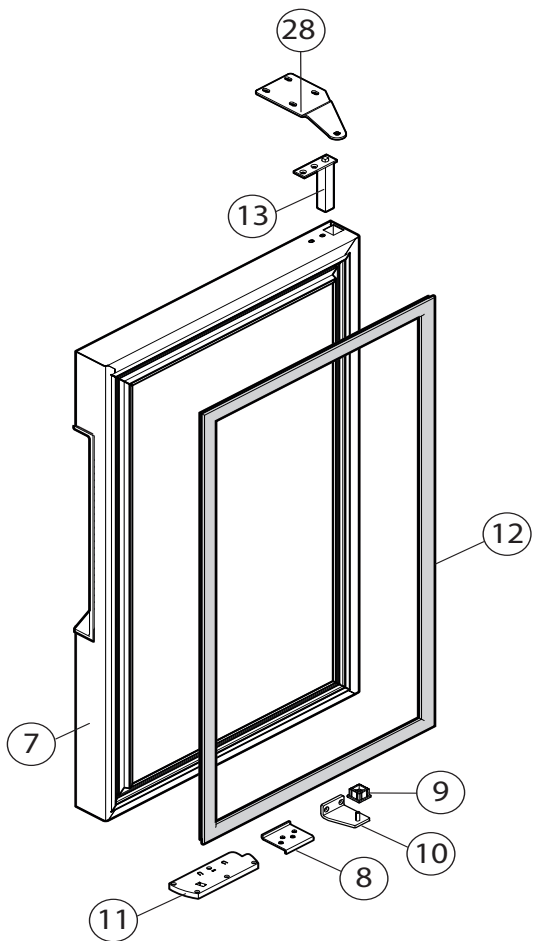
Qui di seguito un esempio di identificazione: SKCH30B

| | | | |
|---|---------------------------|-------------------|-----------------|
| F.Mod. PNC 9VTX..... | Comm.Model Ser.Nr..... | Type Ref. SKCH30B | 2019 |
| W.Tot. kW | Volt..... Hz..... | Cyclopentane | Total Current A |
| Evaporation Heater El. kW | Class x | GWP | CO2-eq t |
| Lighting W | Cap. Refrigerant | Kg | |
| Defrost Power kW | Heating power kW | | |
| NF nominal Charge | | | |
| Rated Pressure Mpa | | CE | REE |
| IPX4 | | | |
| Electrolux Professional SPA - Viale Treviso, 15 - 33170 Pordenone (Italy) | | | |

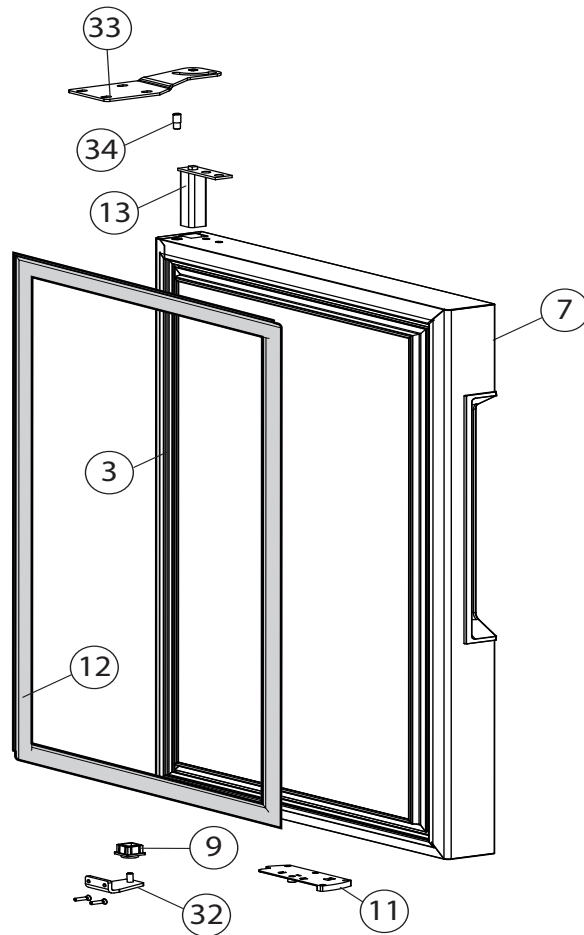
Per identificare il corretto codice ricambio procedere con:

- 1.Digitare nel website il PNC riportato sulla targhetta caratteristica.
- 2.Il website mostrerà automaticamente questo catalogo ricambi.
- 3.A questo punto, il codice ricambio è identificabile attraverso il “Type reference” come indicato nel frontespizio sotto la relativa voce “Ref”.



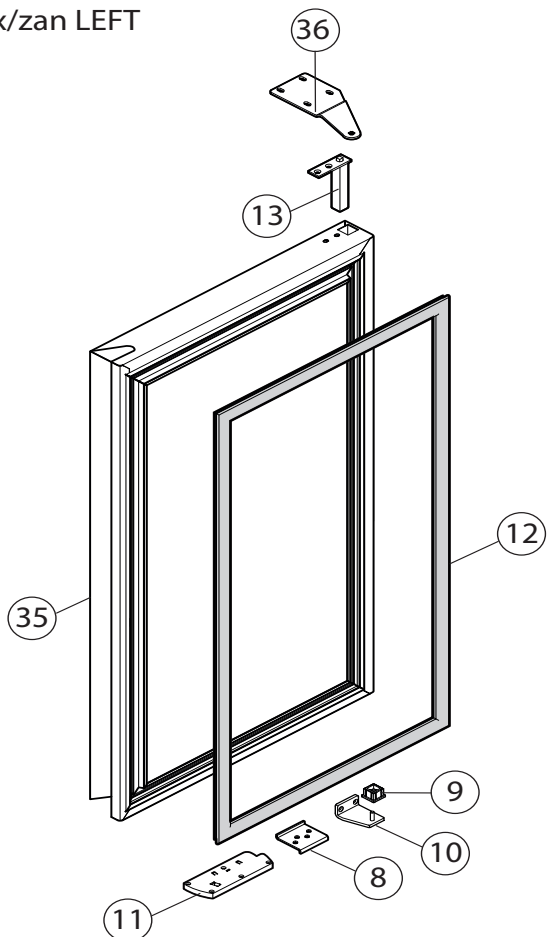


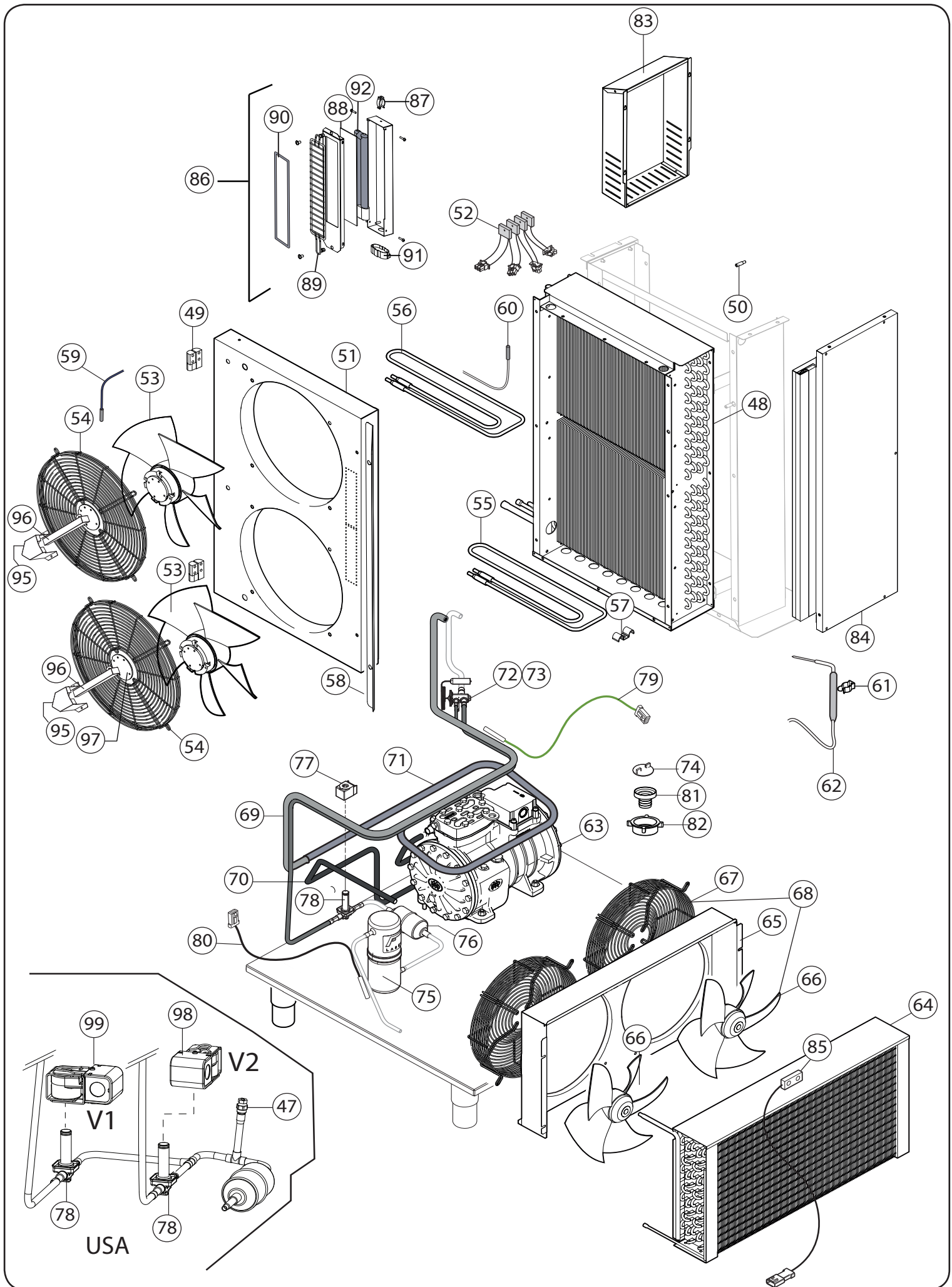
DOOR ELUX LEFT

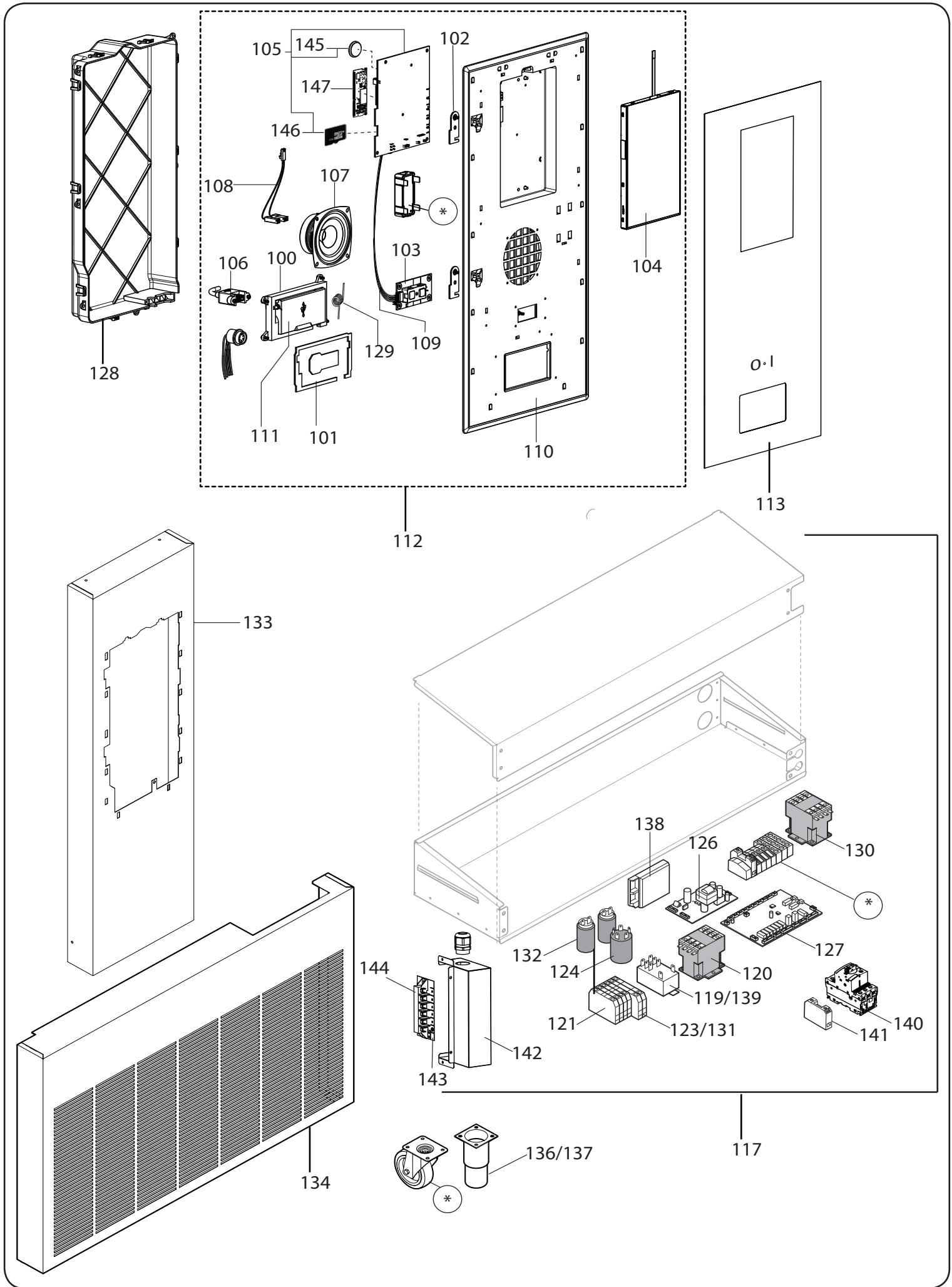


DOOR ELUX RIGHT

DOOR apx/zan LEFT







| Pos | Code | Factory code | Description | Descrizione | Ref/notes |
|-------------------|--------|--------------|--------------------------------------|------------------------------------|---|
| Reference pag.3&4 | | | | | |
| 1 | 095981 | 0543R17101 | ASSEMBLY COVER WITH MAGNET - V | CORNICE VERTICALE | up to week 44 2019 - 901 mm |
| 1 | 096437 | 0543R24402 | ASSEMBLY COVER WITH MAGNET - V | CORNICE VERTICALE | from week 45 2019 - 902 mm |
| 2 | 096065 | 0543R23600 | ASSEMBLY COVER WITH MAGNET - H | CORNICE ORIZZONTALE SUP. | up to week 44 2019 - 775 mm |
| 2 | 096433 | 0543R23801 | ASSEMBLY COVER WITH MAGNET - H | CORNICE ORIZZONTALE SUP. | from week 45 2019 - 775 mm |
| 3 | 096097 | 0882R09400 | DOOR RIGHT ELUX ASS.Y | ASS. PORTA DX | ELUX RIGHT |
| * | 096097 | 0882R09401 | DOOR MOD DX ELUX | MODULO PORTA DESTRA | ELUX RIGHT |
| * | | 0882R44101 | DOOR MOD DX ZAN/APX/TO BRAND | MODULO PORTA DESTRA | ZAN/APX/TO BRAND RIGHT |
| * | | 0882R01603 | DOOR MOD SX ELUX | MODULO PORTA SINISTRA | ELUX LEFT |
| * | 096101 | 0882R44001 | DOOR MOD SX ZAN/APX/TO BRAND | MODULO PORTA SINISTRA | ZAN/APX/TO BRAND LEFT |
| 4 | 095991 | 0617R18401 | HEATING ELEMENT CABLE L=4510MM | CAVO RISCALDANTE | a,b |
| 4 | 096383 | 0617R18700 | HEATING ELEMENT CABLE L=4510MM | CAVO RISCALD. USA L=4510MM UL | c |
| 5 | 095962 | 0514R26601 | REAR PROTECTIVE GRID BCF50 JJ | GRIGLIA POSTERIORE | a,b |
| 5 | 096427 | 0514R30200 | REAR PROTECTIVE GRID BCF50 JJ | GRIGLIA POSTERIORE | a 60 Hz, c |
| 6 | 096395 | 0543R18700 | ASSEMBLY COVER WITH MAGNET - V P | CORNICE VERTICALE PANNELLO SCH. | up to week 44 2019 - 899 mm |
| 6 | 096442 | 0543R24901 | ASSEMBLY COVER WITH MAGNET - V P | CORNICE VERTICALE PANNELLO SCH. | from week 45 2019 - 900 mm |
| 7 | 095915 | 0835R51003 | DOOR FOAMED LEFT ELUX BCF50 | PORTA SCHIUMATA SX | |
| 7 | | 0835R52101 | DOOR FOAMED RIGHT ELUX BCF50 | PORTA SCHIUMATA DX | |
| 8 | 092917 | 0510789200 | LOWER DOOR SUPPORT | PIASTRINA INF.PORTA | |
| 9 | 0A8856 | 0544705201 | LOWER DOOR BUSH | BOCCOLA X 1/2P INFERIORE | |
| 10 | 095959 | 0505R26602 | LEFT LOWER HINGE | CERNIERA INFERIORE SX | |
| 11 | 099909 | 0835R03800 | PLATE DOOR OPEN | ASS. DISP. BLOCCO PORTA APERTA | |
| 12 | 095986 | 0548R13400 | DOOR MAGNETIC GASKET BCF50 | GUARNIZIONE PORTA | |
| 13 | 083876 | 0835714501 | UPPER HINGE DOOR | CERNIERA CON MOLLA PERNO RIB. | |
| 14 | 096061 | 0543R21400 | ASSEMBLY COVER WITH MAGNET - H | CORNICE ORIZZONTALE INF. SX | up to week 44 2019 - 536 mm |
| 14 | 096436 | 0543R24301 | ASSEMBLY COVER WITH MAGNET - H | CORNICE ORIZZONTALE INF. SX | from week 45 2019 - 536 mm |
| 15 | 096063 | 0543R21500 | ASSEMBLY COVER WITH MAGNET - H | CORNICE ORIZZONTALE INF. DX | up to week 44 2019 - 239 mm |
| 15 | 096435 | 0543R24201 | ASSEMBLY COVER WITH MAGNET - H | CORNICE ORIZZONTALE INF. DX | from week 45 2019 - 239 mm |
| 16 | 093935 | 0514R13301 | FRONT RACK SUPPORT | SUPPORTO GUIDE ANT. BCF | |
| 17 | 093936 | 0514R13401 | BACK RACK SUPPORT | SUPPORTO GUIDE POST. BCF LW | |
| 18 | 089970 | 0518713900 | PIN FOR RACK | PERNO PER CARTER M6 BCF | |
| 19 | 096552 | 0833R47301 | GRID ASSEMBLY (RIGHT) | ASS. CREMAGLIERA 50KG LW DX | Replace code 096037 - Upgrade sturdiness |
| 20 | 093939 | 0530R04700 | LOCK NUT FOR RACK | CHIAVETTA DI SERRAGGIO | |
| 21 | 096450 | 0514R29400 | SPRING FOR RACK | MOLLA BLOCCO CREMAGLIERE | |
| 22 | 096552 | 0833R47301 | GRID ASSEMBLY (LEFT) | ASS. CREMAGLIERA SX | Replace code 095932 - Upgrade sturdiness |
| 23 | 096548 | 0505R08L00 | LEFT GUIDE FOR RACK | GUIDA BCF 30-50KG SX | Replace code 093862 - Upgrade sturdiness |
| 24 | 096547 | 0505R08K00 | RIGHT GUIDE FOR RACK | GUIDA BCF 30-50KG DX | Replace code 093861 - Upgrade sturdiness |
| 25 | 089977 | 0510774302 | BASIN GUIDE | GUIDA PER BACINELLA EST | |
| 26 | 096325 | 0835R72301 | DISCHARGE PLUG DEVICE | ASS. TAPPO SCARICO CELLA JJ | |
| 27 | 080803 | 0242452410 | BLACK CONDESATE BASIN | BACINELLA RACC.COND.NERO | |
| 28 | 096054 | 0505R29600 | UPPER HINGE DOOR (LEFT) | CERNIERA SUP.X ABB. SX | |
| 29 | 095977 | 0518R09300 | LOWER PIN FOR BCF JJ SRUCTURE | PERNO INFERIORE STRUTTURA | 2 pcs - up to 2020/21 |
| 29 | | 0518R01B00 | LOWER PIN FOR BCF JJ SRUCTURE | PERNO INFERIORE STRUTTURA | 4 pcs - from 2020/22 |
| 30 | 095966 | 0514R28700 | LOCKING SPRING | MOLLA DI BLOCCAGGIO CREM.RA | |
| 31 | 093938 | 0546R29300 | RACK SUPPORT | APPOGGIO PER CREMAGLIERE | |
| 32 | 095960 | 0505R26702 | RIGHT LOWER HINGE BCF30 JJ | CERNIERA INFERIORE DX | |
| 33 | 096039 | 0503R50300 | RIGHT UPPER HINGE WITH STOP | CERNIERA SUPERIORE DX | |
| 34 | 096056 | 0514R28000 | STUD FOR DOOR STOP BCF JJ | PERNO PER FERMO PORTA SUP | |
| 35 | 096101 | 0882R44001 | DOOR SX ZAN/APX ASS.Y | ASS. PORTA SX APX/ZAN | APX/ZAN LEFT |

| Pos | Code | Factory code | Description | Descrizione | Ref/notes |
|--|---------------|-------------------|------------------------------------|-------------------------------------|----------------------------------|
| 36 | 096054 | 0505R29600 | UPPER HINGE DOOR (LEFT) | CERNIERA SUP.X ABB. SX | APX/ZAN LEFT |
| note: | | | | | |
| * N°1_2_6_14_15 = CHANGE THE PROFILE OF THE FRAME COVER FROM WEEK 45 (SER. NUMBER 9451*****) | | | | | |
| Reference pag.5&6 | | | | | |
| 47 | 099869 | 0646765300 | SAFETY BLOW FUSE HP PRESSURE | TAPPO FUSIBILE . FPA-283 UL 1/8' | c |
| 48 | 096016 | 0830R12502 | FINNED COIL EVAPORATOR BCF50 | EVAPORATORE | |
| 49 | 095979 | 0530R08100 | CARTER HINGE | CERNIERA CARTER VENTILATORI | |
| 50 | 089970 | 0518713900 | PIN FOR CARTER FAN | PERNO PER CARTER M6 | |
| 51 | 095945 | 0503R37202 | EVAP. CONVEYOR BCF50 | CONVOGLIATORE EVAPORATORE | a without predisp. for UV |
| 51 | 096048 | 0504R02501 | EVAP. CONVEYOR BCF50 UV LAP | CONVOGLI. EVAPORATORE UV LAP | b predisposed for uv lamp |
| 51 | 096445 | 0504R17900 | EVAP. CONVEYOR BCF50 USA | CONVOGLIATORE EVAPORATORE | c without predisp. for UV |
| 52 | 096340 | 0652R02800 | SAFETY THERMOFUSE 93°C | TERMOFUSIBILE 93°C BCF JJ UL | |
| 53 | 096011 | 0682R11801 | CAVITY FAN A3G350AN | VENTILATORE CELLA | a,b |
| 53 | 096333 | 0682R13000 | CAVITY FAN 106CC302 UL 208V USA | VENTILATORE CELLA 106CC302 208V | a 60 Hz, c |
| 54 | 095963 | 0514R26701 | GRID DIAM.380 PAINT | GRIGLIA VENTILATORE CELLA VERN. | a,b - Up to 2020/21 |
| 54 | 096424 | 0514R29901 | GRID DIAM.380 AISI 304 | GRIGLIA VENTILATORE CELLA AISI 304 | a 60 Hz, b, c - From 2020/22 |
| 55 | 096029 | 0856R31203 | HEATING ELEMENT DOWN | RESISTENZA SBRINAMENTO BASSA | a,b |
| 55 | 096385 | 0856R36600 | HEATING ELEMENT DOWN UL USA | RESISTENZA SBRINAMEN. BASSA UL | c |
| 55 | | 0617R03K00 | HEATING ELEMENT DOWN | RESISTENZA SBRINAMENTO BASSA | a 60 Hz |
| 56 | 095923 | 0856R31403 | HEATING ELEMENT UP | RESISTENZA SBRINAMENTO ALTA | a,b |
| 56 | 096334 | 0856R36400 | HEATING ELEMENT UP UL USA | RESISTENZA SBRINAMENTO ALTA UL | c |
| 56 | | 0617R03J00 | HEATING ELEMENT UP | RESISTENZA SBRINAMENTO ALTA | a 60 Hz |
| 57 | 048429 | 0506675402 | BRACKET FOR HEATING ELEMENT | SQUADR.FISS.RESIST.VASCA | |
| 58 | 095940 | 0501R89200 | FRONT DEFLECTOR | DEFLETTORE ANT | Up to 2020/21 |
| 58 | | 0502R08G00 | FRONT DEFLECTOR | DEFLETTORE ANT | From 2020/22 |
| 59 | 096073 | 0646R21100 | CELL PROBE BLUE | SONDA 6X20 BLU 'CELL' | a,b |
| 59 | 096335 | 0646R22400 | CELL PROBE BLUE PAINT UL/IEC | SONDA 6X20 BLU 'CELL' VER.O UL/IEC | a 60 Hz, c |
| 60 | 096074 | 0646R21200 | EVAPORATOR PROBE GREY | SONDA 6X40 GRIGIA 'EVAP' | a,b |
| 60 | 096336 | 0646R22500 | EVAPORATOR PROBE GREY UL/IEC | SONDA 6X40 GRIGIA 'EVAP' UL/IEC | a 60 Hz, c |
| 61 | 091800 | 0639730101 | FOOD PROBE HOOK | GANCIO IN AISI 304 | |
| 62 | 096072 | 0646R20700 | FOOD PROBE | SPILLONE CONICO 3 PUNTI SILIC. | a,b |
| 62 | 096338 | 0646R22801 | FOOD PROBE UL/IEC | SPILLONE CONICO 3 PUNTI UL/IEC | a 60 Hz, c |
| 63 | 096013 | 0684R12300 | COMPRESSOR DORIN H281CS 400V | COMPRESSORE H281 CS 400V | a |
| 63 | 099650 | 0684730801 | COMPRESS. DORIN H281CCK/UL 208V | COMPRESSORE H281CCK/UL 208V | a 60 Hz, c |
| 64 | 096015 | 0830R12402 | FINNED COIL CONDENSER BCF50 | CONDENSATORE ARIA | a |
| 65 | 095942 | 0503R10003 | CONVEYOR AIR CONDENSER | CONVOGLIATORE CONDENS. 50KG | a |
| 66 | 095895 | 0682R11600 | FAN CONDENSER 230V | VENTILATORE CONDENSATORE | a |
| 66 | 096378 | 0856R37900 | FAN CONDENSER 208 V | VENTILATORE CONDENSATORE | c |
| 67 | 092853 | 0514R09700 | GRID FAN CONDENSER | GRIGLIA VENTILATORE CONDENSAT. | a,c |
| 68 | 095924 | 0856R32200 | ASS. FAN + GRID EU | ASS.VENTILATORE + GRIGLIA | a |
| 68 | 096397 | 0856R38200 | ASS. FAN + GRID USA | ASS.VENTILATORE + GRIGLIA USA | c |
| 69 | 095967 | 0515R33102 | WELDED EXCHANGER BCF50 EU | SCAMBIATORE SALDATO EU | a |
| 69 | 096446 | 858R17800 | WELDED EXCHANGER BCF50 USA | SCAMBIATORE SALDATO USA | c |
| 70 | 095969 | 0515R33800 | PIPE COMPRES.-CONDENSER BCF50 | TUBO DA COMPRES. CONDENS.RE | a,c |
| 71 | 095970 | 0515R33900 | PIPE COMPRESSOR SUCTION BCF50 | TUBO DA EVAP. A COMPRESSORE | a,c |
| 72 | 088347 | 0646754900 | EXPANSION VALVE -40/-15 ORIF.8 | VALVOLA TERMOSTATICA | |
| 73 | 095939 | 011008R010 | INSULATION FOR THERMOS. VALVE | ISOLAMENTO VALVOLA TERMOSTAT. | Diam. 15 |
| 73 | 095938 | 0110067003 | INSULATION FOR THERMOS. VALVE | ISOLAMENTO VALVOLA TERMOSTAT. | Diam. 35 |
| 74 | 096325 | 0835R72301 | DISCHARGE PLUG DEVICE | ASS. TAPPO SCARICO CELLA JJ | |
| 75 | 087758 | 0805749401 | TANIC RECEIVER | RICEVITORE DI LIQ. A SALD. 0,88 L | a,c |
| 76 | 087438 | 0805747600 | DEHIDRATOR FILTER | FILTRO DCL083S 10MM | a,c |
| 77 | 088351 | 0646749000 | BOB.CLIP 10W EVR6 220-230/50-60 | BOBINA VALVOLA SOLENOIDE | a |

| Pos | Code | Factory code | Description | Descrizione | Ref/notes |
|--|---------------|-------------------|--------------------------------------|--------------------------------------|--------------------------------|
| 78 | 084085 | 0646723000 | BODY SOLENOID VALVE | CORPO VALV. EVR 6 | a,c |
| 79 | 096005 | 0646R19201 | SUCTION PROBE "GREEN" | SONDA ASPIRAZIONE VERDE | a |
| 79 | 096339 | 0646R22600 | SUCTION PROBE "GREEN" RES. UL/IEC | SONDA ASPIRAZIONE VERDE UL/IEC | a 60 Hz, c |
| 80 | 096006 | 0646R19301 | CONDENSER PROBE "BLACK" | SONDA CONDENSATORE NERA | a,c |
| 81 | 094256 | 0546R26200 | RUBBER SUPPORT | PORTAGOMMA | |
| 82 | 094257 | 0546R26900 | NUT 1"1/2 | GHIERA 1"1/2 | |
| 83 | 095961 | 0505R29302 | BACK SPACER PROTECTION | DISTANZIALE /COPERTURA POST. | a,b |
| 83 | 096240 | 0505R30900 | BACK SPACER PROTECTION | DISTANZIALE /COPERTURA POST. | a 60 Hz, c |
| 84 | 095916 | 0835R54903 | EVAPORATOR FOAMED PANEL BCF50 | PANNELLO SCHIUMATO DI COPERT. | |
| 85 | 096002 | 0640R04101 | DOOR MICROSWITCH | MICRO PORTA | |
| 86 | 096075 | 0832R09501 | ASS. UV LAMP | ASSIEME LAMPADA | |
| 87 | 084384 | 0624705200 | PLASTIC SPRING | MOLLE PE LAMPADA | |
| 88 | 093097 | 0549R05400 | GLASS UV | VETRO FRONTALE LAMPADA | |
| 89 | 093945 | 0514R11900 | PROTECTION | PROTEZIONE | |
| 90 | 093946 | 0559R01800 | FRONT GASKET | GUARNIZIONE LAMPADA | |
| 91 | 093948 | 0665R01100 | UV SUPPORT | SUPPORTO LAMPADA | |
| 92 | 093949 | 0661R01100 | UV LAMP | LAMPADA | |
| 93 | 096068 | 0639R19700 | GEWISS BOX REMOTE | SCATOLA GEWISS REMOTO | b |
| 94 | 096071 | 0639R20000 | REMOTE CLAMP CONNECTIONS R. | MORSETTIERA SCATOLA REMOTA | b |
| 95 | 096447 | 0504R00901 | EXTERNAL PROTECTION FAN CABLE | PROTEZIONE ESTERNA CAVO VENT. | c |
| 96 | 096448 | 0504R01002 | INTERNAL PROTECTION FAN CABLE | PROTEZIONE INTERNA CAVO VENT. | c |
| 97 | 096449 | 0504R01100 | FAN COVER PROTECTION | PROTEZIONE PER VENTILATORE | c |
| 98 | 096241 | 0830R02A01 | SOLENOID VALVE COIL V2 | BOBINA VALVOLA SOLENOIDE V2 | c (red connector) |
| 99 | 096423 | 0856R38101 | SOLENOID VALVE COIL V1 | BOBINA VALVOLA SOLENOIDE V1 | c (white connector) |
| | 096171 | 0147300900 | AMERICAN CANVAS TAPE M50XMM48 | NASTRO TELA PLAST. M50XMM48 | |
| | 095768 | 0147017034 | PIVILENE INSULATION TAPE; 50X3SP | NASTRO 3M389 NERO (MM19 X 50MT) | |
| note: | | | | | |
| N° 98_99 ,the coil of solenoid valve are the same change only the color of connector , white for V1 and Red for V2 | | | | | |
| Reference pag.7 | | | | | |
| 100 | 0CK030 | 0546400U01 | DRAWER USB SUPPORT | CKM SEDE USB | |
| 101 | 0CK031 | 0543401P02 | GASKET DRAWER USB SUPPORT | GUARNIZIONE SEDE USB | |
| 102 | 0CK432 | 0506405M00 | PANEL HOOK | GANCIO PANNELLO | |
| 103 | 0CK033 | 0675401G00 | ON/OFF BOARD | SCHEDA ON/OFF | |
| 104 | 0CK034 | 0673400900 | DISPLAY JDI 7" | DISPLAY JDI 7" TP RESISTIVO | |
| 105 | 0CK036 | 0675401J01 | BRIDGE BOARD | SCHEDA CONNESSIONE DISPLAY | |
| 106 | 0CK037 | 0638404D00 | WIRING USB | CAVO USB | |
| 107 | 0CK039 | 0655400000 | SPEAKER VISATON | ALTOPARLANTE | |
| 108 | 0CK330 | 0675401L00 | WIRING SPEAKER | CAVETTO CONNESSIONE SPEAKER | |
| 109 | 0CK045 | 0675401Q00 | WIRING ON/OFF BOARD | CAVETTO ON-OFF TOUCH | |
| 110 | 0CK040 | 0543401N01 | PLASTIC FRAME TOUCH | PANNELLO IN PLASTICA | |
| 111 | 0CK041 | 0546400V01 | USB COVER | SPORTELLINO USB ELUX | |
| 112 | 0CK080 | 0830409103 | ASS. TOUCH UI | PANNELLO COMPLETO UI | |
| 113 | 095934 | 0755R13901 | ADHESIVE DECOR TOUCH | MEMBRANA ADESIVA | ELUX (ORDER ALSO N°110) |
| 113 | 095936 | 0755R16201 | ADHESIVE DECOR TOUCH | MEMBRANA ADESIVA | APX (ORDER ALSO N°110) |
| 113 | 095935 | 0755R16101 | ADHESIVE DECOR TOUCH | MEMBRANA ADESIVA | ZAN (ORDER ALSO N°110) |
| 113 | 096058 | 0541401V01 | ADHESIVE DECOR TOUCH | MEMBRANA ADESIVA | TO BRAND (ORDER ALSO N°110) |
| 117 | 096079 | 0882R19005 | ELECTRICAL BOX COMPLETE | SCATOLA ELETTRICA COMPLETA | a without uv lamp |
| 117 | | 0883R28300 | ELECTRICAL BOX COMPLETE | SCATOLA ELETTRICA COMPLETA | a 60 Hz without uv lamp |
| 117 | 096083 | 0882R86202 | ELECTRICAL BOX COMPLETE | SCATOLA ELETTRICA COMPLETA | for uv lamp |
| 117 | | 0883R11002 | ELECTRICAL BOX COMPLETE | SCATOLA ELETTRICA COMPLETA | c |
| 117 | | 0882R72203 | ELECTRICAL BOX COMPLETE | SCATOLA ELETTRICA COMPLETA | b |

| Pos | Code | Factory code | Description | Descrizione | Ref/notes |
|------------|---------------|-------------------|-----------------------------------|---|----------------------------------|
| 119 | 093848 | 0648R06300 | RELAY 66.82.8.230.0001 COIL 230V | RELE' FINDER 230V 30A &10A | a,b 10A PIN 11-14 30A 11-12 |
| 120 | 088477 | 0648807300 | CONTACTOR K3-10A10 230V | CONTATTORE K3-10A10 230V 50/60HZ | a |
| 120 | 099090 | 0648729200 | CONTACTOR K3-22 (COIL 200-240/60) | CONTATTORE K3-22 (COIL 200-240/60) | c |
| 121 | 096000 | 0639R18401 | MAIN TERMINAL BLOCK | BLOCCHETTI DI CONNESSIONE ELET. | a |
| 121 | 096070 | 0639R19900 | MAIN TERMINAL BLOCK | BLOCCHETTI DI CONNESSIONE ELET. | b |
| 121 | 096453 | 0639R22801 | MAIN TERMINAL BLOCK | BLOCCHETTI DI CONNESSIONE ELET. | c |
| 123 | 095933 | 0652R02400 | GLASS FUSE 10A T 5X20 | FUSIBILE IN VETRO 10A T 5X20 | |
| 123 | 0L3083 | 0652608900 | CERAMIC FUSE 10A T 5X20 | FUSIBILE CERAMICO 5X20 250V 10A T RITARDATO/OMEGA GT520310 | b 60 Hz, c |
| 124 | 059078 | 0694502400 | FILTRO LC | FILTRO LC | for uv lamp |
| 124 | 084987 | 0694700800 | RFI FILTER | FILTRO ANTIDISTURBO | without uv lamp |
| 126 | 095639 | 0648R10000 | POWER SUPPLY 12V 30W | SCHEDA DI POTENZA 12V 30W | |
| 126 | 096342 | 0648R11400 | POWER SUPPLY 12V/100W UL | SCHEDA DI POTENZA 12V/100W UL | c |
| 127 | 096010 | 0648R08602 | ACU PETRA BCF | SCHEDA PRINCIPALE "PETRA" | c - Up to 2020/19 |
| 127 | 096557 | 0648R10900 | ACU PETRA BCF | SCHEDA PRINCIPALE "PETRA" | a 60 Hz, c - From 2020/20 |
| 128 | 0CK161 | 0541401D01 | PROTECTION COMAND PANEL | PROTEZIONE PANNELLO COMANDI | |
| 129 | 0CK032 | 0514405001 | SPRING DOOR USB | MOLLA SPORTELLINO USB | |
| 130 | 088477 | 0648807300 | CONTACTOR K3-10A10 230V | CONTATTORE K3-10A10 230V 50/60HZ | a |
| 131 | 093564 | 0639732800 | FUSE SUPPORT | MORSETTO2 VIE X PORTAFUSIBILE | |
| 132 | 096009 | 0648730000 | FAN CAPACITOR 3 mF | CONDENSATORE 3MFPER VENT. | a |
| 132 | 099129 | 0648729400 | FAN CAPACITOR 4MF UL-CSA | CONDENSATORE 4MF UL-CSA VENT. | c |
| 133 | 095941 | 0502R94703 | CONTROL PANEL BCF50 | PANNELLO DI CONTROLLO SS | |
| 134 | 095943 | 0503R21803 | CONDENSER PANEL BCF50 | PANNELLO CONDENSATORE | ELUX only |
| 134 | 096044 | 0503R91102 | CONDENSER PANEL BCF50 | PANNELLO CONDENSATORE | ALL BRAND |
| 136 | 048579 | 0855631900 | FEET LG.153 | ASS.PIEDE LG.153 | a,b |
| 136 | 096236 | 0833R48700 | FEET H150/200 | ASS.PIEDE LG.H150/200 | c |
| 137 | 095926 | 0882R01200 | KIT 4 FEET + SCREWS | KIT 4 PIEDINI CON VITI E DADI | a,b |
| 137 | 096243 | 0883R09200 | KIT 4 FEET + SCREWS | KIT 4 PIEDINI CON VITI E DADI | c |
| 138 | 093950 | 0624R01600 | ALIMENTAT. ELETTRON. UV | ALIMENTAT. ELETTRON. UV | for uv lamp |
| 139 | 006610 | 0648806900 | RELE'62.838.230.0009+ATT.BARRA | RELE' +ATT.BARRA DIN OPP | b |
| 140 | 093194 | 0640R01900 | OVER CURRENT PROTECTION SWICHT | SALVAM. ABB MS132-20 (16...20A | c |
| 141 | 091725 | 0640R01000 | AUXSILIARY SWICHT PROT. OVER CUR. | CONTATTI AUSILIARI HK1-11 SALVA. | c |
| 142 | 096444 | 0505R31500 | TERMINAL BLOCK COVER | COPERTURA MORSETTIERA | c |
| 143 | 096331 | 0548795500 | TERMINAL BLOCK PLATE | TARGHETTA MORSETTIERA 3 POLI | c |
| 144 | 088165 | 0639726600 | TERMINAL BLOCK | MORSETTIERA | c |
| 145 | | | BATTERY CR2032 V3 LITIO | BATTERIA MODELLO CR 2032 V3 LITIO | |
| 146 | | | MICRO SD 4G 4HC | MICRO SD 4G 4HC | |
| 147 | 0CK035 | 0675401H00 | CORE BOARD DAVE | TOUCH | |

| Pos | Code | Factory code | Description | Descrizione | Ref/notes |
|-----|------|--------------|-------------|-------------|-----------|
|-----|------|--------------|-------------|-------------|-----------|

KIT DI MANUTENZIONE – MAINTENANCE KIT

| Spare Part Code KIT | Description KIT | Spare Part Code | Spare Part Q.ty | Spare part Description | Descrizione Spare part | Ref./ Note |
|---------------------|-----------------|-----------------|-----------------|------------------------|------------------------|------------|
|---------------------|-----------------|-----------------|-----------------|------------------------|------------------------|------------|

KIT DI MANUTENZIONE - MAINTENANCE KIT

| | | | | | | |
|--------|-------------------|--------|-----|-------------------------------|--|----------|
| 096167 | SKL BCF 50 PM KIT | | | | | |
| | | 095986 | 1 | DOOR MAGNETIC GASKET BCF50 | GUARNIZIONE PORTA | |
| | | 095939 | 2mt | INSULATION FOR THERMOS. VALVE | ISOLAMENTO VALVOLA TERMOSTAT. | Diam. 15 |
| | | 095938 | 2mt | INSULATION FOR THERMOS. VALVE | ISOLAMENTO VALVOLA TERMOSTAT. | Diam. 35 |
| | | 095989 | 1mt | COIBENTATION PIPES | TUBO ANTICOND. GREY DIAM.16-36 | |
| | | 095165 | 1 | CLIP OBO 255/3,2 OBO 255.3.2 | FERMACAVO OBO 255/3,2 OBO 255.3.2 | |
| | | 096156 | 4 | SCREW 4,8X70/60 DIN 6928 | VITE AUTOFIL. TE FLANG. ZINCATA 4,8X70/60 DIN 6928 | |