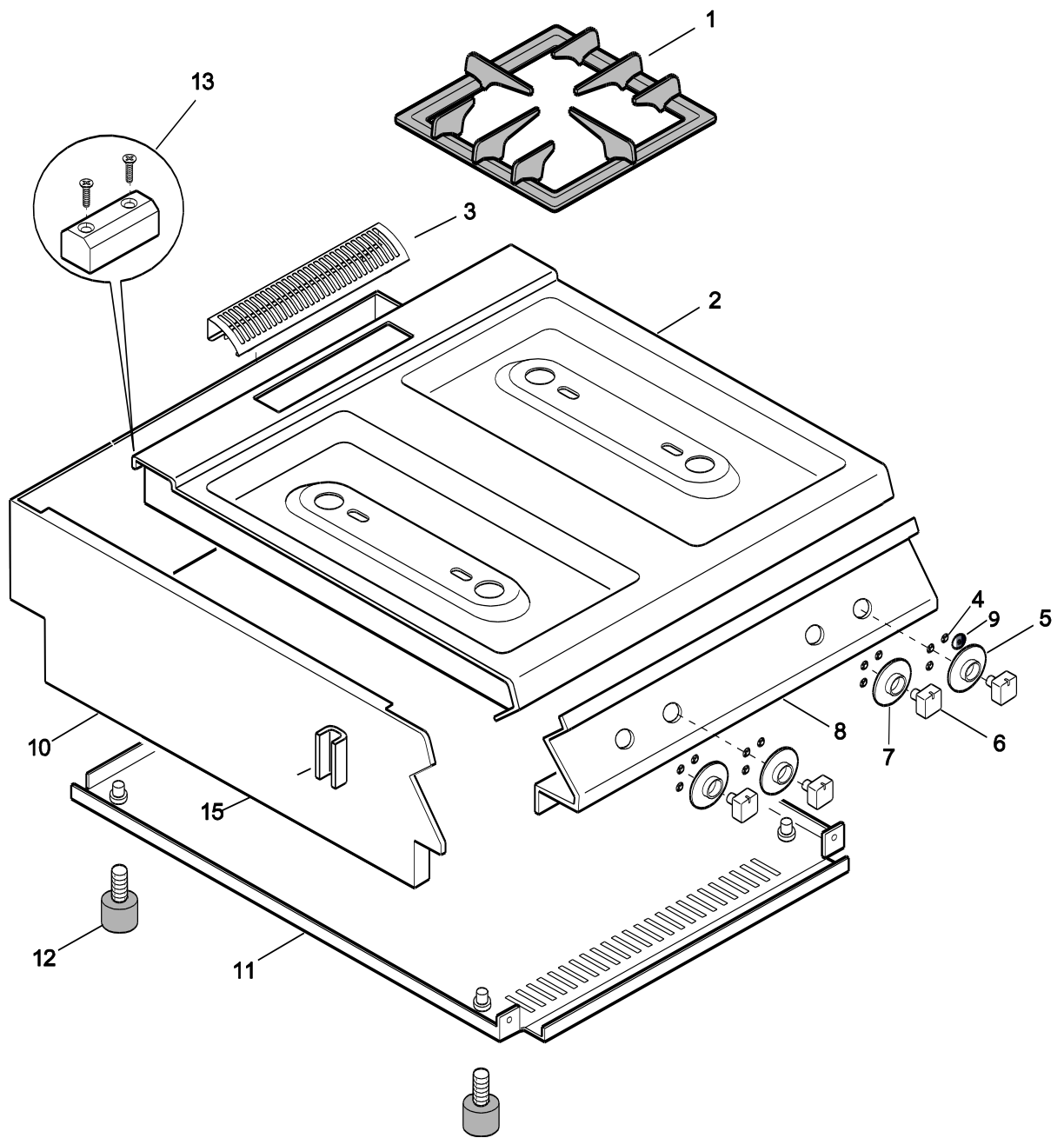


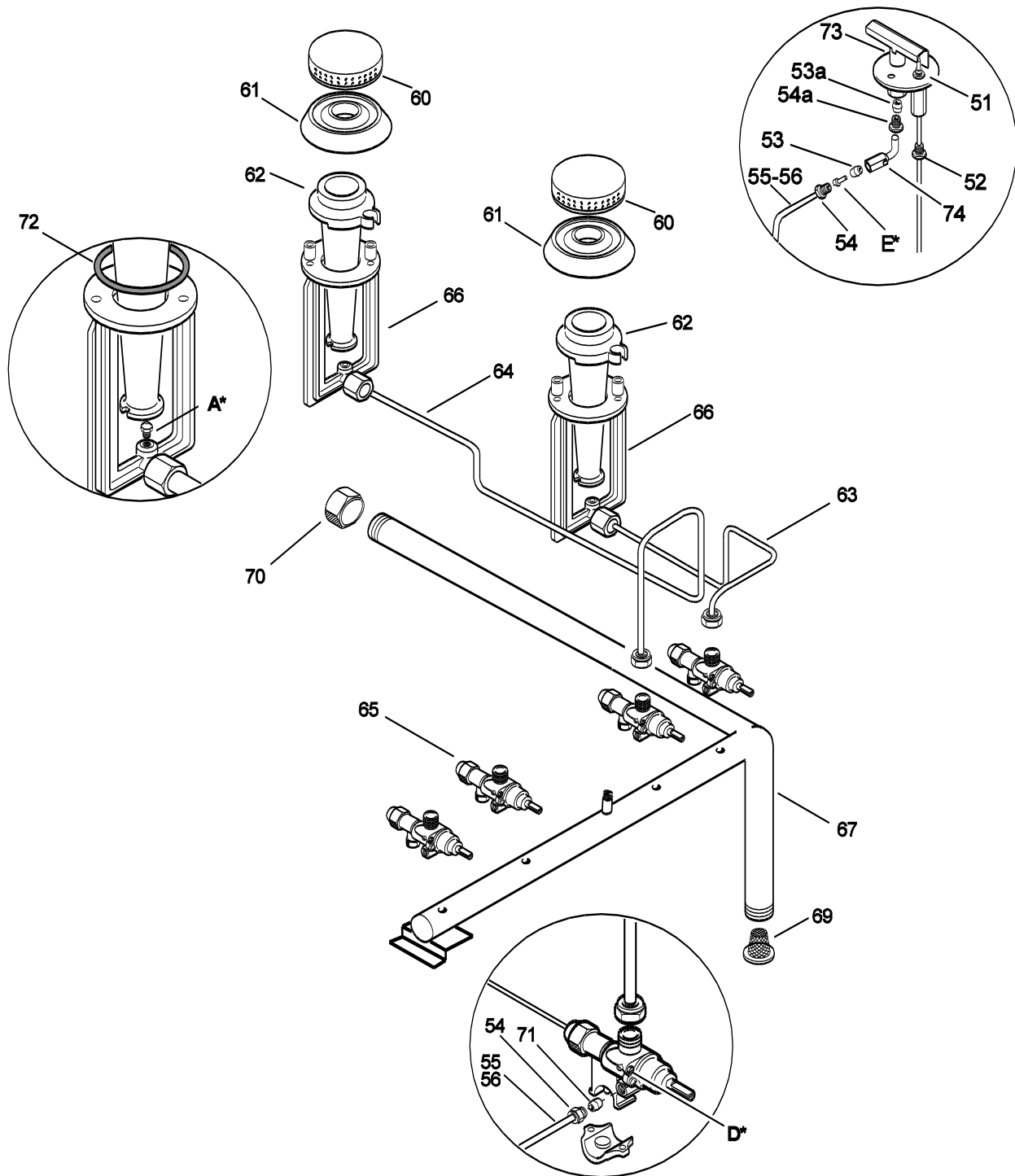
**CUCINE GAS TOP E700XP
GAS COOKING TOP E700XP**

PNC	Model	Ref	Pag.	Brand	Version	Notes
371000	E7GCGD2C00	a	2,3	ELX	GAS	2-BURNER 400 MM
371001	E7GCGH4C00	b	2,3	ELX	GAS	4-BURNER 800 MM
371004	E7GCGL6C00	c	2,3	ELX	GAS	6-BURNER 1200 MM
371166	E7GCGD2C0A	d	2,3	ELX	GAS	2-BURNER 400 MM-AUS
371167	E7GCGH4C0A	e	2,3	ELX	GAS	4-BURNER 800 MM-AUS
371170	E7GCGL6C0A	f	2,3	ELX	GAS	6-BURNER 1200 MM-AUS
372000	Z7GCGD2C00	g	2,3	ZAN	GAS	2-BURNER 400 MM
372001	Z7GCGH4C00	h	2,3	ZAN	GAS	4-BURNER 800 MM
372004	Z7GCGL6C00	i	2,3	ZAN	GAS	6-BURNER 1200 MM
372146	Z7GCGD2C0A	l	2,3	ZAN	GAS	2-BURNER 400 MM-AUS
372147	Z7GCGH4C0A	m	2,3	ZAN	GAS	4-BURNER 800 MM-AUS
372150	Z7GCGL6C0A	n	2,3	ZAN	GAS	6-BURNER 1200 MM-AUS
372153	Z7GCGD2C0H	o	2,3	ZAN	GAS	2-BURNER 400 MM-HAKVOORT
372154	Z7GCGH4C0H	p	2,3	ZAN	GAS	4-BURNER 800 MM-HAKVOORT
372156	Z7GCGL6C0H	q	2,3	ZAN	GAS	6-BURNER 1200MM-HAKVOORT
373000	A7GCGD2C00	r	2,3	OEM	GAS	2-BURNER 400 MM
373001	A7GCGH4C00	s	2,3	OEM	GAS	4-BURNER 800 MM
373004	A7GCGL6C00	t	2,3	OEM	GAS	6-BURNER 1200 MM
373220	A7GCGD2KC0K	U	2,3	KIP	GAS	2-BURNER 400 MM
373221	A7GCGH4C0K	V	2,3	KIP	GAS	4-BURNER 400 MM

Pag	Index	Indice	Note
2	General components	Componenti struttura	
3,5	Gas components	Componenti Gas	
4,6	Spare parts list	Lista ricambi	

Brand/Marchio: All
Factory code: 9PDX





A - Ugello bruciatore / Burner nozzle ø60

6DGT	Ref. / Notes		
0C2809	ø1.85	2H/2E+	G20 20mbar
0C2808	ø1.75	2H	G20 25mbar
0C2806	ø1.85/2.10	2ELL	G25 20mbar
0C2805	ø1.75/2.10	2L	G25 25mbar
059314	ø1.15	3+3B/P	G30 30mbar
0A2076	ø1.10	3B/P	G30 36mbar
0C2807	ø1.10	3B/P	G30 50mbar
0C2805	ø1.75/2.10	2S	G25.1 25mbar
0A2475	ø2.25	No CE	G20 10mbar
0C5475	ø3.50	1a	G110
059627	ø3.30	1b	G120
0A2650	ø1.20	3+3B/P	G30 30mbar
0A2102	ø2.00	No CE	G20 10mbar

E - Ugello pilota / Pilot nozzle

6DGT	Ref. / Notes		
053670	n°41	2H/2E+	G20 20mbar
053670	n°41	2H	G20 25mbar
053670	n°41	2ELL	G25 20mbar
053670	n°41	2L	G25 25mbar
054593	n°25	3+3B/P	G30 30mbar
054593	n°25	3B/P	G30 36mbar
054593	n°25	3B/P	G30 50mbar
053670	n°41	2S	G25 25mbar
053670	n°41	No CE	G20 10mbar
053669	n°75	1a	G110
053669	n°75	1b	G120
054593	n°25	3+3B/P	G30 30mbar
053670	n°41	No CE	G20 10mbar

D - Vite di minimo / Min screw ø60

6DGT	Ref. / Notes		
003182	n°80	2H/2E+	G20 20mbar
003182	n°80	2H	G20 25mbar
003182	n°80	2ELL	G25 20mbar
003182	n°80	2L	G25 25mbar
002909	n°55	3+3B/P	G30 30mbar
002926	n°55	3B/P	G30 36mbar
002925	n°50	3B/P	G30 50mbar
003182	n°80	2S	G25.1 25mbar
003182	n°80	No CE	G20 10mbar
-	adj	1a	G110
-	adj	1b	G120
002909	n°55	3+3B/P	G30 30mbar
003182	n°80	No CE	G20 10mbar

**CUCINE GAS TOP E700XP
GAS COOKING TOP E700XP**

Pos	Factory Code	Spare Part Code	Descrizione	Description	Ref./Note
1	511821400	0C2526	GRIGLIA FUOCHI GHISA	GRID	
2	87089A700	0C7856	RIPIANO 400mm	TABLE TOP 400mm	ELX
2	87089A900	0C7723	RIPIANO 800mm	TABLE TOP 800mm	ELX
2	87089AA00	0C7724	RIPIANO 1200mm	TABLE TOP 1200mm	ELX
2	87089G700	0C7861	RIPIANO 400mm	TABLE TOP 400mm	ZAN
2	87089G800	0C7733	RIPIANO 800mm	TABLE TOP 800mm	ZAN
2	87089G900	0C7734	RIPIANO 1200mm	TABLE TOP 1200mm	ZAN
2	87089G700	0C7861	RIPIANO 400mm	TABLE TOP 400mm	OEM
2	87089G800	0C7733	RIPIANO 800mm	TABLE TOP 800mm	OEM
2	87089G900	0C7734	RIPIANO 1200mm	TABLE TOP 1200mm	OEM
3	50389LM00	0C7705	GRIGLIA CAMINO	GRATE FOR CHIMNEY	
4	218912211	069567	MOLLETTA PER GHIERA	SPRING, KNOB RING	
5	548876S00	0C6671	GHIERA MANOPOLA FUOCHI ANT.	KNOB RING, FRONT BURNER	ELX
5	548879F00	0C7243	GHIERA MANOPOLA FUOCHI ANT.	KNOB RING, FRONT BURNER	ZAN, OEM
6	511850D02	0C7330	MANOPOLA PER RUBINETTO GAS	KNOB, GAS TAP	ELX
6	548878101	0C7425	MANOPOLA PER RUBINETTO GAS	KNOB, GAS TAP	ZAN
6	548865600	0C1007	MANOPOLA PER RUBINETTO GAS	KNOB, GAS TAP	OEM
6	548865600	0C1007	MANOPOLA PER RUBINETTO GAS	KNOB, GAS TAP	KIP
7	548876T01	0C7332	GHIERA MANOPOLA FUOCHI POS.	KNOB RING FOR REAR BURNER	ELX
7	548879G00	0C7244	GHIERA MANOPOLA FUOCHI POS.	KNOB RING FOR REAR BURNER	ZAN, OEM
8	85089B100	0C7292	CRUSCOTTO 400mm	CONTROL PANEL 400mm	ELX
8	85089B200	0C7293	CRUSCOTTO 800mm	CONTROL PANEL 800mm	ELX
8	85089B600	0C7294	CRUSCOTTO 1200mm	CONTROL PANEL 1200mm	ELX
8	87089GB00	0C7313	CRUSCOTTO 400mm	CONTROL PANEL 400mm	ZAN
8	87089GC00	0C7314	CRUSCOTTO 800mm	CONTROL PANEL 800mm	ZAN
8	87089GF00	0C7315	CRUSCOTTO 1200mm	CONTROL PANEL 1200mm	ZAN
8	565814200	*	CRUSCOTTO 400mm	CONTROL PANEL 400mm	OEM
8	50389LV00	*	CRUSCOTTO 800mm	CONTROL PANEL 800mm	OEM
8	50389LZ00	*	CRUSCOTTO 1200mm	CONTROL PANEL 1200mm	OEM
9	541813800	0C6171	RONDELLA SILICONE	SILICONE WASHER	
10	85089F701	*	RIVESTIMENTO LATERALE 400mm	EXTERNAL PANEL 400mm	ELX
10	85089F801	*	RIVESTIMENTO LATERALE 800mm	EXTERNAL PANEL 800mm	ELX
10	85089F901	*	RIVESTIMENTO LATERALE 1200mm	EXTERNAL PANEL 1200mm	ELX
10	85089FA01	*	RIVESTIMENTO LATERALE 400mm	EXTERNAL PANEL 400mm	
10	85089FB01	*	RIVESTIMENTO LATERALE 800mm	EXTERNAL PANEL 800mm	ZAN, OEM
10	85089FC01	*	RIVESTIMENTO LATERALE 1200mm	EXTERNAL PANEL 1200mm	ZAN, OEM
11	5038A1X01	*	FONDO CUCINA GAS 400mm	BOTTOM PANEL 400mm	
11	5038A1W01	*	FONDO CUCINA GAS 800mm	BOTTOM PANEL 800mm	
11	50389WD00	0C7391	FONDO CUCINA GAS 1200mm	BOTTOM PANEL 1200mm	
12	315252601	026806	PIEDINO CON VITE	SCREW FOOT, TOP APPLIANCE	
13	516860702	0C0137	PIASTRINA PER GIUNZIONE	JOINTING REAR PLATE	
15	527850500	0C0156	PIASTRA FISSAGGIO FIANCHI	SIDE PANELS JOINTING PLATE	
51	831800500	0C0202	TERMOCOPPIA	THERMOCOUPLE	
52	214162000	0C0121	RACCORDO FISS. TERMOCOPPIA	CONNECTION, FIX THERMOCOUPLE	
53	515827401	053665	BICONO PER PILOTA D.4	DOUBLE CONE D.4 FOR PILOT	
53a	516888200	0C3645	BICONO PER PILOTA D.4	DOUBLE CONE D.4 FOR PILOT	
54	214164400	052125	RACCORDO	NUT	
54a	516887500	0C3646	RACCORDO	CONNECTION	
55	544821000	0C4192	CONDUTTURA ANT.PILOTA	FRONTAL PILOT PIPE	
56	544820900	0C4193	CONDUTTURA POST.PILOTA	REAR PILOT PIPE	
60	510819501	0C0129	SPARTIFIAMMA DIAM.60	FLAME SPREADER DIAM.60	
61	510819303	0C0127	BRUCIATORE DIAM.60	BURNER DIAM.60	
62	510819103	0C0125	VENTURI X BRUC. DIAM.60	VENTURI DIAM.60	
63	835868102	0C2799	CONDUTTURA ANT.FUOCHI	FRONTAL BURNER PIPE	

**CUCINE GAS TOP E700XP
GAS COOKING TOP E700XP**

<i>Pos</i>	<i>Factory Code</i>	<i>Spare Part Code</i>	<i>Descrizione</i>	<i>Description</i>	<i>Ref./Note</i>
64	835868202	0C2800	CONDUTTURA POST.FUOCHI	REAR BURNER PIPE	
65	835857202	0C0205	RUBINETTO GAS CON BRIGLIA	GAS TAP WITH BRIDLE	
66	510819004	0C0124	SUPPORTO VENTURI	HOLDER FOR VENTURI	
67	853896200	0C2824	RIBALTA 400mm	MANIFOLD 400mm	
67	853896300	0C2825	RIBALTA 800mm	MANIFOLD 800mm	
67	853896400	0C7855	RIBALTA 1200mm	MANIFOLD 1200mm	
69	516863900	0C0140	FILTRO GAS	GAS FILTER	
70	246519800	0C2356	TAPPO PER RIBALTA	MANIFOLD STOPPER	
71	215199700	052127	BICONO	DOUBLE CONE	
72	543829700	0C0188	GUARNIZIONE OR	O-RING GASKET	
73	806854300	0C3644	PILOTA FUOCHI	PILOT BURNER	
74	510823900	0C3643	SUPPORTO CURVO UGELLO PILOTA	CURVED JET HOLDER	