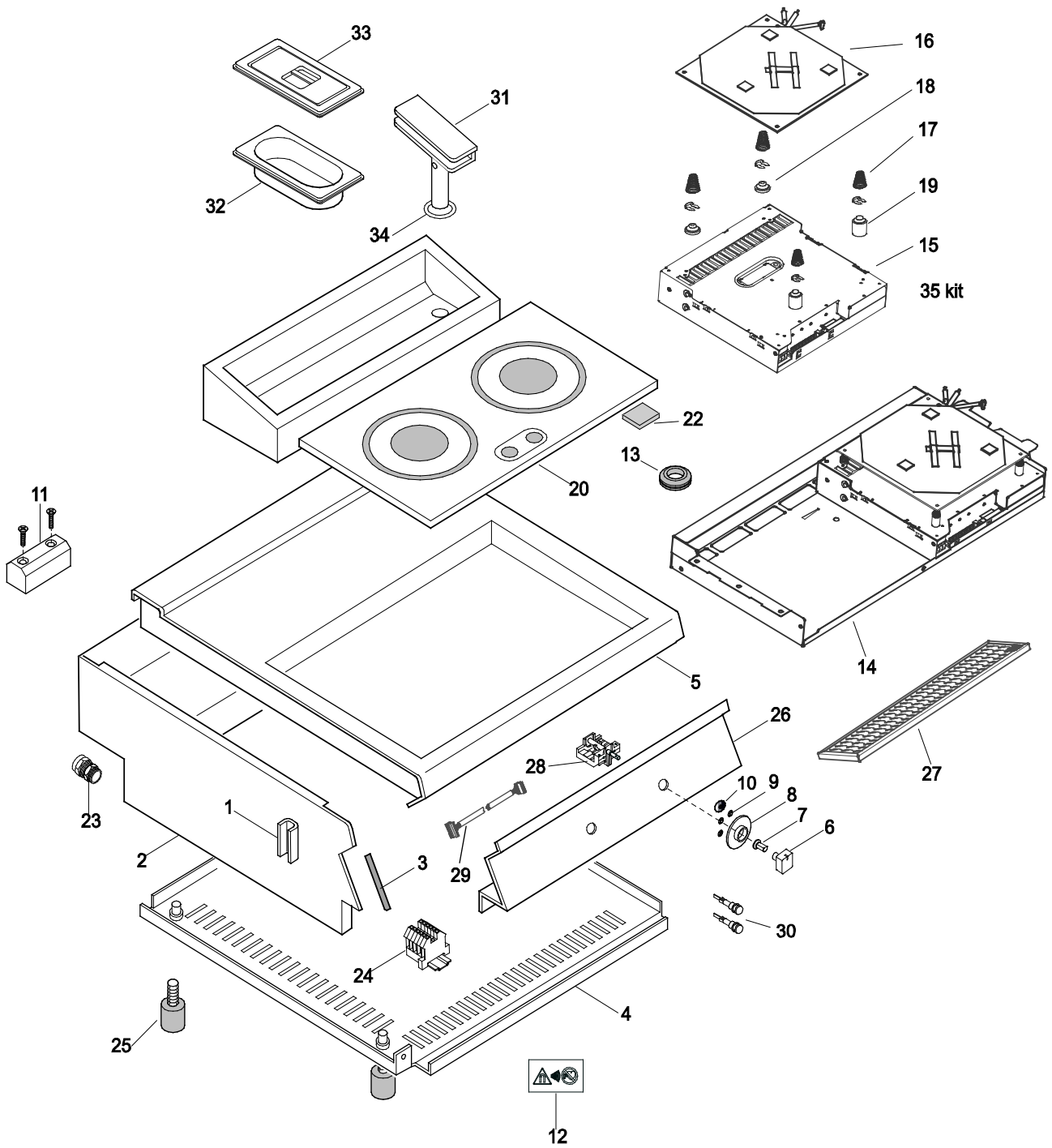

PNC	Model	Ref	Brand	Version	Notes
371023	E7INEH2F0P	a	ELX	EL	FRONTAL 800MM
372023	Z7INEH2F0P	b	ZAN	EL	FRONTAL 800MM

Pag	Index	Indice	Note
2	General componets	Componenti struttura	
3	Spare parts list	Lista ricambi	

Brand/Marchio: All
Factory code: 9PDX



**PIANO DI COTTURA INDUZIONE TOP E700XP
INDUCTION COOKING TOP E700XP**

Art.	Factory Code	Spare code	Descrizione	Description	Ref./Note
1	527850500	0C0156	PIASTRA FISSAGGIO FIANCHI	SIDE PANELS JOINTING PLATE	
2	85089F800	*	RIVESTIMENTO LATERALE 800 mm	EXTERNAL PANEL 800 MM	ELX
2	50389R100	*	RIVESTIMENTO LATERALE 800 mm	EXTERNAL PANEL 800 MM	ZAN
3	543821900	0C2496	GUARNIZIONE CRUSCOTTO	GASKET CONTROL PANEL	
4	50389Q500	*	FONDO PIANO 800MM	BOTTOM 800 MM	
5	50389PK00	*	RIPIANO 800 MM	TOP 800 MM	ELX
5	50389PP00	*	RIPIANO 800 MM	TOP 800 MM	ZAN
6	511850G01	0C6670	MANOPOLA	KNOB	ELX
6	548878201	0C7232	MANOPOLA	KNOB	ZAN
7	548877V00	0C7345	ADATTATORE MANOPOLA	KNOB ADAPTER	
8	548877C00	0C7166	GHIERA INDUZ. POSTERIORE	KNOB RING, REAR INDUCTION	ELX
8	548879K00	0C7639	GHIERA INDUZ. POSTERIORE	KNOB RING, REAR INDUCTION	ZAN
9	218912211	069567	MOLLETTA FISS. GHIERA	SPRING, KNOB RING	
10	541813800	0C6171	RONDELLA SILICONE	SILICONE WASHER	
11	516860700	0C0137	PIASTRINA POSTERIORE	JOINTING REAR PLATE	
12	598849200	0C0024	TARGHETTA PACE/MAKER	STICKER PACE/MAKER	
13	246530100	005382	PASSAFILO D.22	CORE HITCH D.22	
14	50489H900	*	SUPPORTO GENERATORI	GENERATOR SUPPORT	
15	873879802	0C7876	INVERTER ATICS 5KW 400V	INVERTER ATICS 5KW 400V	
16	830897601	0C0027	BOBINA ATICS	COIL ATICS	Art. 36+37
17	516892500	0C4002	MOLLA PER INDUTTORE ATICS	INDUCTION SPRING	
18	516892300	0C4003	PERNO CORTO ATICS	SHORT PIN ACTIS	
19	516892400	0C4004	PERNO LUNGO ATICS	LONG PIN ACTIS	
20	574820400	0C7188	VETROCERAMICA 400 MM	GLASS TOP 400 MM	
21	639805001	059239	MORSETTIERA 4 POLI	TERMINAL BOARD 4 POLES	
22	546810400	0C5419	DISTANZIATORE PER VETRO	SPACER FOR GLASS TOP	
23	544802400	0C3528	PRESSACAVO	CORE HITCH	
24	639805001	059239	MORSETTIERA ALIMENTAZIONE	MAIN TERMINAL BOARD	
25	315252601	026806	PIEDINO	FOOT	
26	85089CN00	0C7644	CRUSCOTTO 800 MM	CONTROL PANEL 800 MM	ELX
26	85089GL00	0C7650	CRUSCOTTO 800 MM	CONTROL PANEL 800 MM	ZAN
27	85589A700	0C7652	FILTRO	FILTER	
28	641804000	0K1631	COMMUTATORE	SWITCH	
29	639810000	0C3978	ASSIEME CAVETTI COMMUTATORE	CABLE, COMMUTATOR	
30	660808200	0C4000	LUCE VERDE	GREEN LAMP	
30	660808100	0C3999	LUCE ROSSA	RED LAMP	
*	831840200	0C6109	KIT COMMUTATORE	KIT COMUTATOR	
31	806850301	0C2163	TROPPO PIENO	PIPE DRAIN	
32	509803700	*	BACINELLA (9F9L815400)	BASIN (9F9L815400)	
33	509803600	*	COPERCHIO BACINELLA (9F9L818600)	LID OF BASIN (9F9L818600)	
34	543815500	0A5182	GUARNIZIONE OR	GASKET OR	
35	83089G500	0C8305	KIT INVERTER COMPLETO	INVERTER KIT COMPLETE	
36	*	0G3527	NASTRO SPECIFICO FISS. SONDA	SPECIAL TAPE FOR PROBE FIX	HIGHT TEMP
37	*	0K4302	SONDA TEMPERATURA	TEMP PROBE	49 Cm , PT1000
*	0151098052	088314	DETERGENTE REINIGER	CLEANER REINEGER	
*	0147098057	088313	PRIMER 1015 PACTAN	PRIMER 1015 PACTAN	
*	0147098058	0C0074	SILICONE PER INDUZIONE	SILICONE FOR INDUCTION	