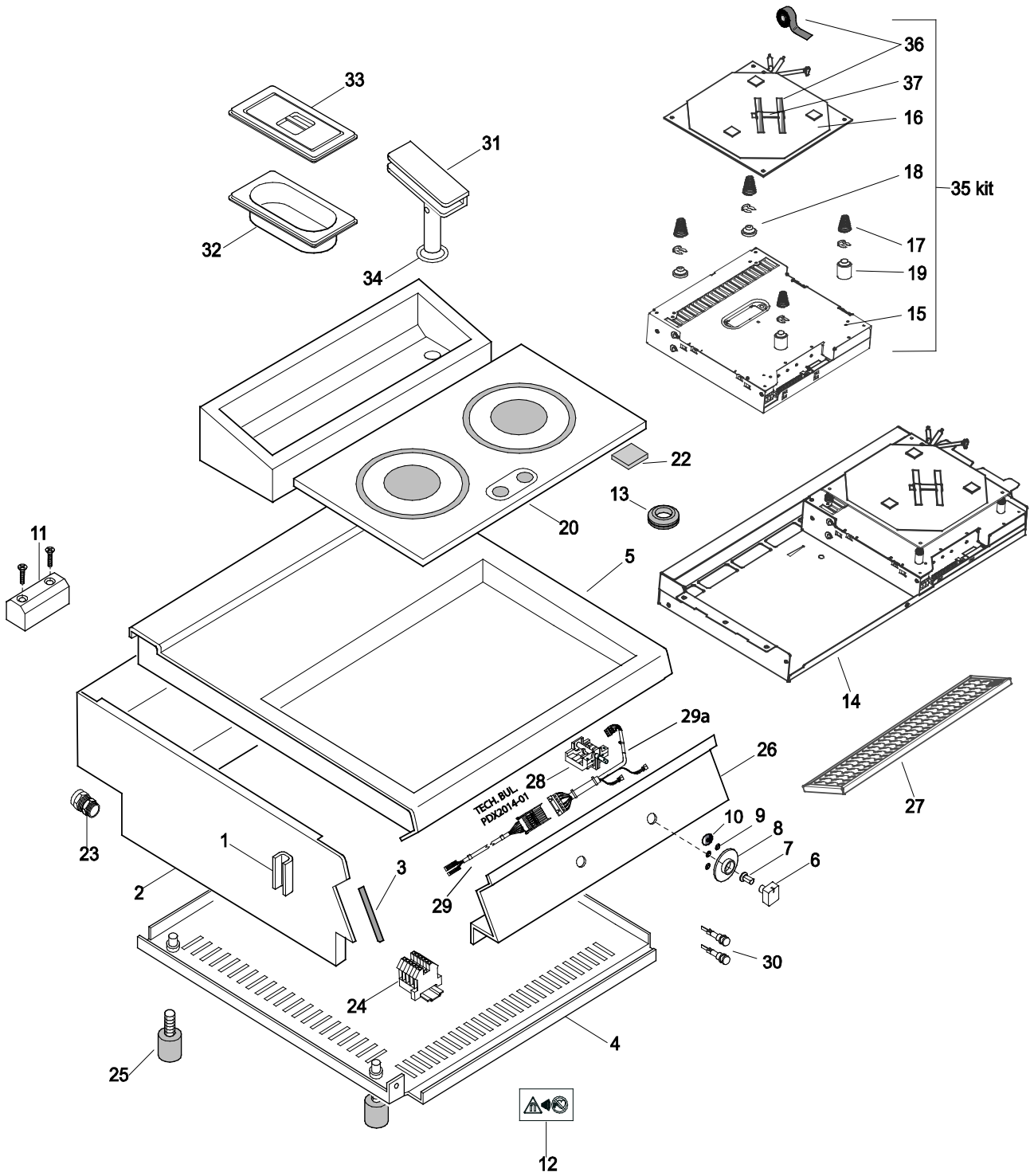


---

<b>PNC</b>	<b>Model</b>	<b>Ref</b>	<b>Brand</b>	<b>Version</b>	<b>Notes</b>
371023	E7INEH2F0P	a	ELX	EL	FRONTAL 800MM
372023	Z7INEH2F0P	b	ZAN	EL	FRONTAL 800MM

<b>Pag</b>	<b>Index</b>	<b>Indice</b>	<b>Note</b>
2	General componets	Componenti struttura	
3	Spare parts list	Lista ricambi	

Brand/Marchio: All  
Factory code: 9PDX



**PIANO DI COTTURA INDUZIONE TOP E700XP  
INDUCTION COOKING TOP E700XP**

Art.	Factory Code	Spare code	Descrizione	Description	Ref./Note
1	527850500	OC0156	PIASTRA FISSAGGIO FIANCHI	SIDE PANELS JOINTING PLATE	
2	85089F800	*	RIVESTIMENTO LATERALE 800 mm	EXTERNAL PANEL 800 MM	ELX
2	50389R100	*	RIVESTIMENTO LATERALE 800 mm	EXTERNAL PANEL 800 MM	ZAN
3	543821900	OC2496	GUARNIZIONE CRUSCOTTO	GASKET CONTROL PANEL	
4	50389Q500	*	FONDO PIANO 800MM	BOTTOM 800 MM	
5	50389PK00	*	RIPIANO 800 MM	TOP 800 MM	ELX
5	50389PP00	*	RIPIANO 800 MM	TOP 800 MM	ZAN
6	511850G01	OC6670	MANOPOLA	KNOB	ELX
6	548878201	OC7232	MANOPOLA	KNOB	ZAN
7	548877V00	OC7345	ADATTATORE MANOPOLA	KNOB ADAPTER	
8	548877C00	OC7166	GHIERA INDUZ.	KNOB RING	ELX
8	548879K00	OC7639	GHIERA INDUZ.	KNOB RING	ZAN
9	218912211	069567	MOLLETTA FISS. GHIERA	SPRING, KNOB RING	
10	541813800	OC6171	RONDELLA SILICONE	SILICONE WASHER	
11	516860700	OC0137	PIASTRINA POSTERIORE	JOINTING REAR PLATE	
12	598849200	OC0024	TARGETTA PACE/MAKER	STICKER PACE/MAKER	
13	246530100	005382	PASSAFILO D.22	CORE HITCH D.22	
14	50489H900	*	SUPPORTO GENERATORI	GENERATOR SUPPORT	
15	873879802	OC7867	INVERTER ATICS 5KW 400V	INVERTER ATICS 5KW 400V	up to 4281
16	830897601	OC0027	BOBINA ATICS	COIL ATICS	Art. 36+37 included
17	516892500	OC4002	MOLLA PER INDUTTORE ATICS	INDUCTION SPRING	
18	516892300	OC4003	PERNO CORTO ATICS	SHORT PIN ACTIS	
19	516892400	OC4004	PERNO LUNGO ATICS	LONG PIN ACTIS	
20	574820400	OC7188	VETROCERAMICA 400 MM	GLASS TOP 400 MM	
21	639805001	059239	MORSETTIERA 4 POLI	TERMINAL BOARD 4 POLES	
22	546810400	OC5419	DISTANZIATORE PER VETRO	SPACER FOR GLASS TOP	
23	544802400	OC3528	PRESSACAVO	CORE HITCH	
24	639805001	059239	MORSETTIERA ALIMENTAZIONE	MAIN TERMINAL BOARD	
25	315252601	026806	PIEDINO	FOOT	
26	85089CN00	OC7644	CRUSCOTTO 800 MM	CONTROL PANEL 800 MM	ELX
26	85089GL00	OC7650	CRUSCOTTO 800 MM	CONTROL PANEL 800 MM	ZAN
27	85589A700	OC7652	FILTRO	FILTER	
28	641804000	OKI631	COMMUTATORE	SWITCH	TECH. BUL.PDX2014-01
29	639810000	OC3978	ASSIEME CAVETTI COMMUTATORE	CABLE, COMMUTATOR	TECH. BUL.PDX2014-01
29a	*	OG5277	CAVETTI COMMUTATORE	CABLE, SELECTOR	TECH. BUL.PDX2014-01
30	660808200	OC4000	LUCE VERDE	GREEN LAMP	TECH. BUL.PDX2014-01
30	660808100	OC3999	LUCE ROSSA	RED LAMP	TECH. BUL.PDX2014-01
*	831840200	OC6109	KIT COMMUTATORE	KIT COMUTATOR	TECH. BUL.PDX2014-01
31	806850301	OC2163	TROPPO PIENO	PIPE DRAIN	
32	509803700	*	BACINELLA (9F9L815400)	BASIN (9F9L815400)	
33	509803600	*	COPERCHIO BACINELLA (9F9L818600)	LID OF BASIN (9F9L818600)	
34	543815500	OA5182	GUARNIZIONE OR	GASKET OR	
35	<b>83089G500</b>	<b>OC8305</b>	<b>KIT INVERTER COMPLETO ATICS</b>	<b>INVERTER KIT COMPLETE ATICS</b>	<b>5kw – up to 4281</b>
35	<b>080083AA02</b>	<b>OCA029</b>	<b>KIT INVERTER COMPLETO ATICS</b>	<b>INVERTER KIT COMPLETE ATICS</b>	<b>From 4291</b>
*	0151098052	088314	DETERGENTE REINIGER	CLEANER REINEGER	
*	0147098057	088313	PRIMER 1015 PACTAN	PRIMER 1015 PACTAN	
*	0147098058	OC0074	SILICONE PER INDUZIONE	SILICONE FOR INDUCTION	