

**PIANO DI COTTURA ORIZZONTALE INDUZIONE TOP E700XP
 HORIZONTAL INDUCTION COOK TOP E700XP**

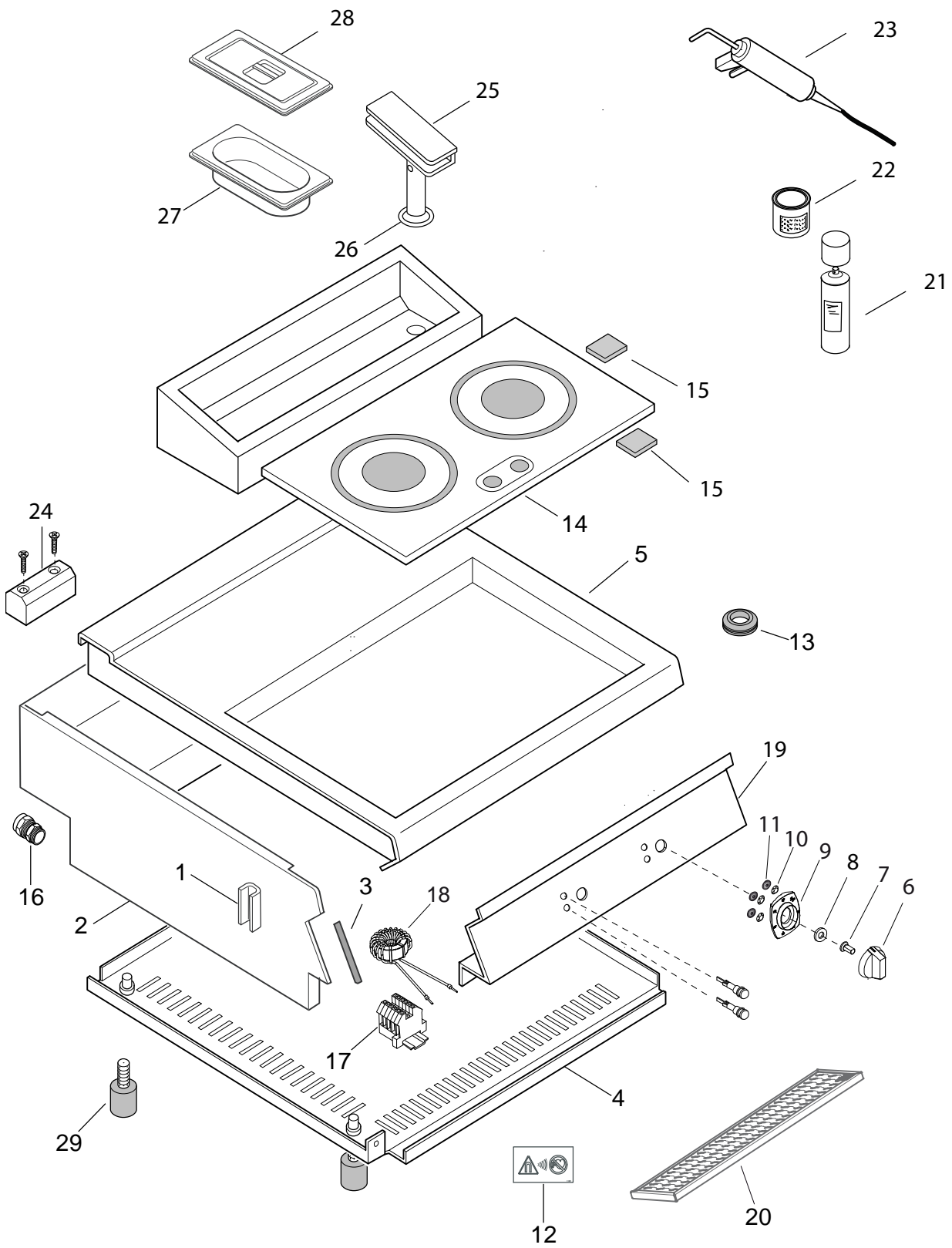
| PNC | Model | Ref | Brand | Version | Notes |
|--------|------------|-----|-------|---------|------------|
| 371023 | E7INEH2F0P | a | ELX | EL | 10KW 800MM |
| 372023 | Z7INEH2F0P | b | ZAN | EL | 10KW 800MM |

| Pag | Index | Indice | Note: |
|------------|---------------------------------------|---------------------------------------|---|
| 2 | Cabinet componets | Componenti mobile | - |
| 3 | Induction Up to Ser. Nr. 4281 (2014) | Induzione fino a Ser. Nr. 4281 (2014) | Refer to Tech.Bulletin : PDX2014-01 |
| 4 | Induction From Ser. Nr. . 4291 (2014) | Induzione da Ser. Nr. . 4291 (2014) | Refer to Tech.Bulletin : PDX2017-01 - PDX2019-01 |
| 5/6 | Spare parts list | Liste ricambi | BOLD: Last Change / Grassetto= Ultima modifica |

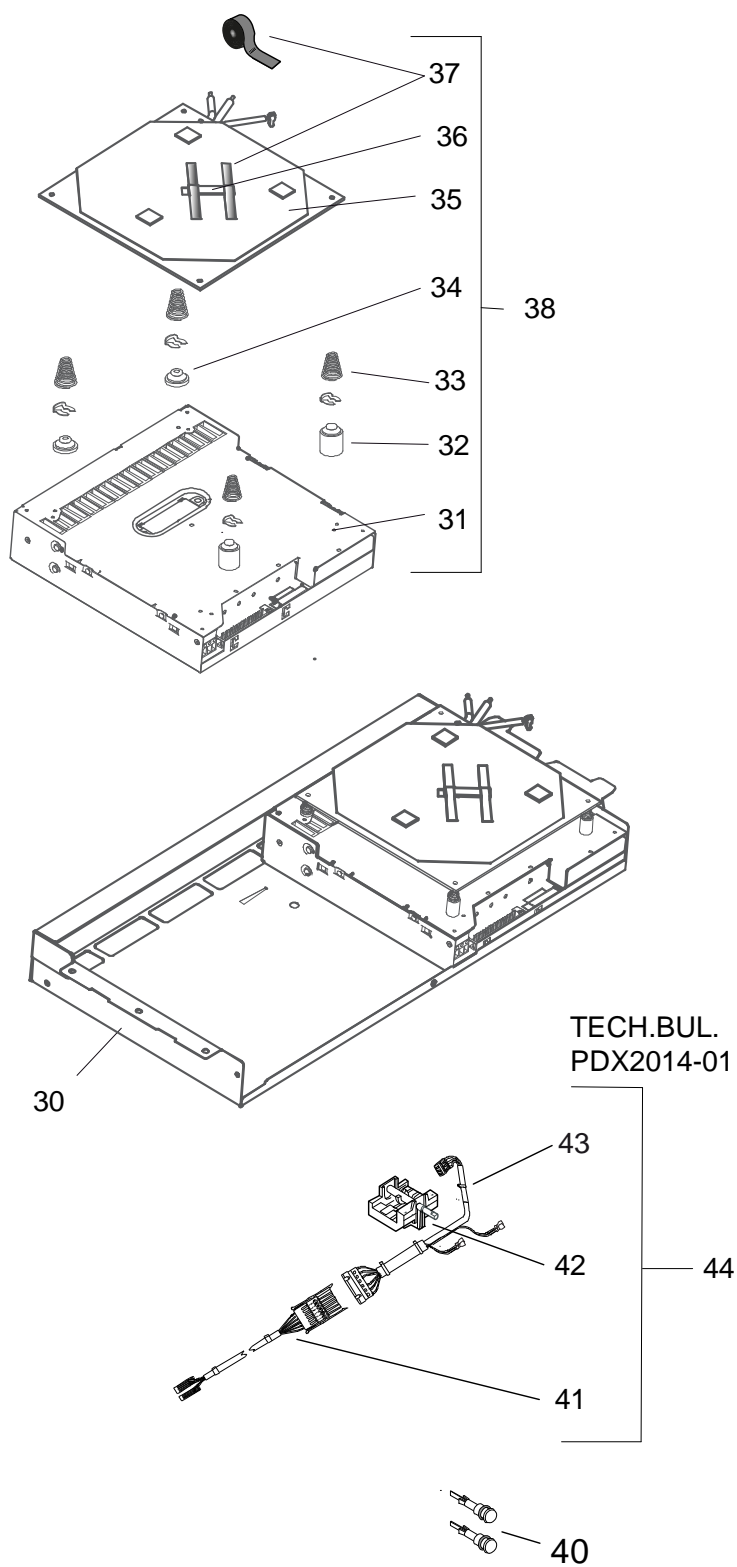
Brand/Marchio: All
 Factory code: 9PDX

| | | | |
|--|---|--------|--------------------------|
| From Ser. Nr. 116 (2011) Up to Ser. Nr. | Ed. document publication . 2017 - 03 Ed. page revision 2019 - 04 | Page 1 | Doc. N° 59785DR00 |
|--|---|--------|--------------------------|

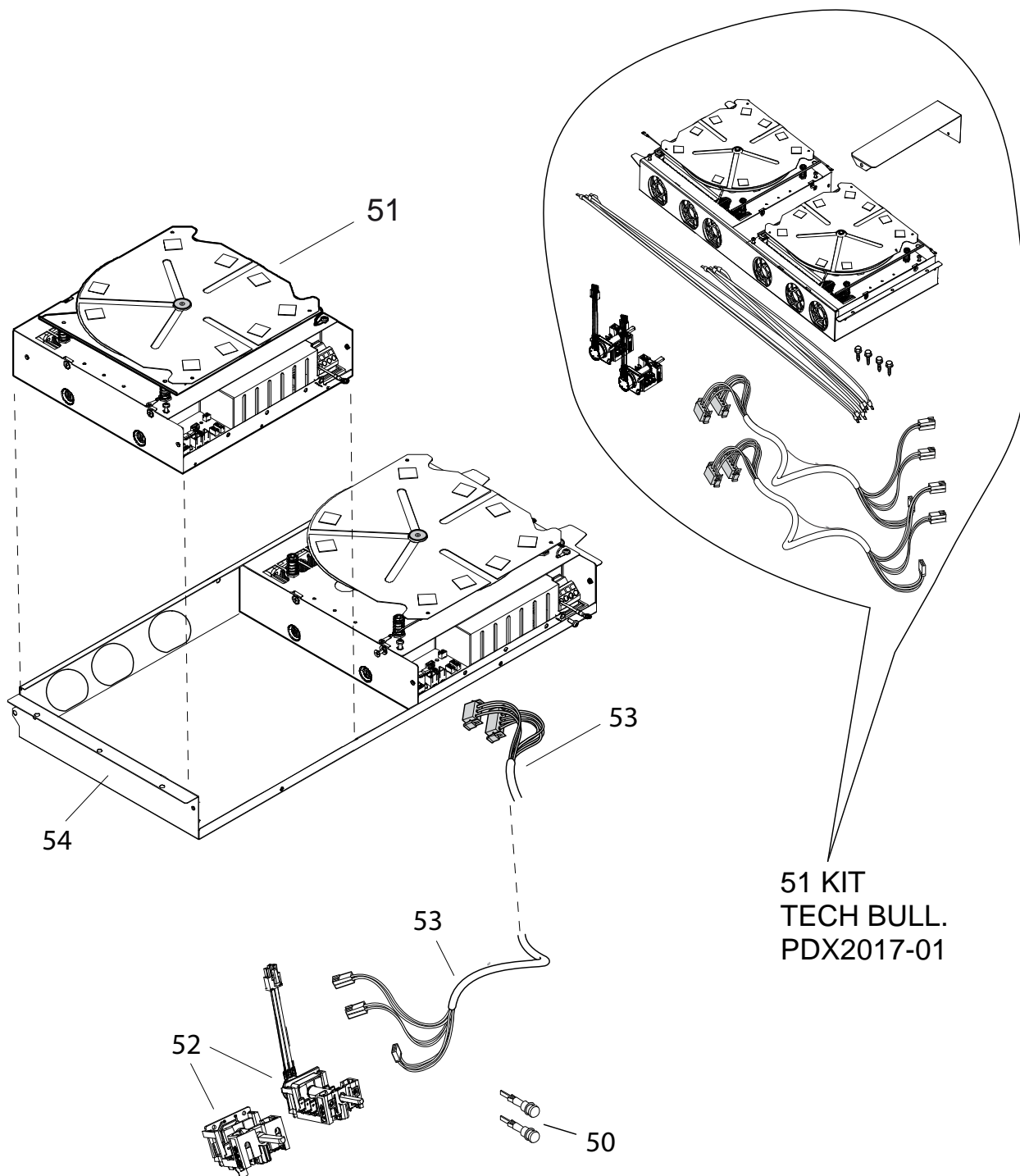
PIANO DI COTTURA ORIZZONTALE INDUZIONE TOP E700XP
HORIZONTAL INDUCTION COOK TOP E700XP



PIANO DI COTTURA ORIZZONTALE INDUZIONE TOP E700XP
HORIZONTAL INDUCTION COOK TOP E700XP



PIANO DI COTTURA ORIZZONTALE INDUZIONE TOP E700XP
HORIZONTAL INDUCTION COOK TOP E700XP



PIANO DI COTTURA ORIZZONTALE INDUZIONE TOP E700XP
HORIZONTAL INDUCTION COOK TOP E700XP

| <i>Pos</i> | <i>Factory Code</i> | <i>Spare Code</i> | <i>Descrizione</i> | <i>Description</i> | <i>Ref./Note</i> |
|------------|------------------------|-------------------|----------------------------------|----------------------------|---------------------|
| 1 | 0527850500 | 0C0156 | PIASTRA FISSAGGIO FIANCHI | SIDE PANELS JOINTING PLATE | |
| 2 | 085089F800 | * | RIVESTIMENTO LATERALE 800 mm | EXTERNAL PANEL 800 MM | ELX |
| 2 | 050389R100 | * | RIVESTIMENTO LATERALE 800 mm | EXTERNAL PANEL 800 MM | ZAN |
| 3 | 0543821900 | 0C2496 | GUARNIZIONE CRUSCOTTO | GASKET CONTROL PANEL | |
| 4 | 050389Q50 2 | * | FONDO PIANO 800MM | BOTTOM 800 MM | Up to 9021 |
| 4 | 050389Q50 3 | * | FONDO PIANO 800MM | BOTTOM 800 MM | From 9031 |
| 5 | 050389PK00 | * | RIPIANO 800 MM | TOP 800 MM | ELX |
| 5 | 050389PP00 | * | RIPIANO 800 MM | TOP 800 MM | ZAN |
| 6 | 0511850G01 | 0C6670 | MANOPOLA | KNOB | ELX |
| 6 | 0548878201 | 0C7232 | MANOPOLA | KNOB | ZAN |
| 7 | 0548877V00 | 0C7345 | ADATTATORE MANOPOLA | KNOB ADAPTER | |
| 8 | 0543821000 | 053816 | GUARNIZIONE GHIERA/MANOPOLA | KNOB/RING GASKET | |
| 9 | 0548877C00 | 0C7166 | GHIERA INDUZ. | KNOB RING | ELX |
| 9 | 0548879K00 | 0C7639 | GHIERA INDUZ. | KNOB RING | ZAN |
| 10 | 0218912211 | 069567 | MOLLETTA FISS. GHIERA | SPRING, KNOB RING | |
| 11 | 0541813800 | 0C6171 | RONDELLA SILICONE | SILICONE WASHER | |
| 12 | 0598849200 | 0C0024 | TARGHETTA PACE/MAKER | STICKER PACE/MAKER | |
| 13 | 0246530100 | 005382 | PASSAFILO D.22 | CORE HITCH D.22 | |
| 14 | 0574820400 | 0C7188 | VETROCERAMICA 400 MM | GLASS TOP 400 MM | |
| 15 | 0546810400 | 0C5419 | DISTANZIATORE PER VETRO | SPACER FOR GLASS TOP | |
| 16 | 0544802400 | 0C3528 | PRESSACAVO | CABLE STOPPER | |
| 17 | 0639805001 | 059239 | MORSETTIERA ALIMENTAZIONE | MAIN TERMINAL BOARD | Until Ser. 7051 |
| 17 | 0639813900 | * | MORSETTIERA 10MMQ | MAIN TERMINAL BLOCK 10MMQ | From Ser. 7061 |
| 18 | 0694806101 | * | FILTRO TOROIDE | TOROID FILTER | From Ser. 7061 |
| 19 | 085089CN00 | 0C7644 | CRUSCOTTO 800 MM | CONTROL PANEL 800 MM | ELX |
| 19 | 085089GL00 | 0C7650 | CRUSCOTTO 800 MM | CONTROL PANEL 800 MM | ZAN |
| 20 | 085589A700 | 0C7652 | FILTRO | FILTER | |
| 21 | 0151098052 | 088314 | DETERGENTE REINIGER | CLEANER REINEGER | |
| 22 | 0147098057 | 088313 | PRIMER 1015 PACTAN | PRIMER 1015 PACTAN | |
| 23 | 0147098058 | 0C0074 | SILICONE PER INDUZIONE | SILICONE FOR INDUCTION | |
| 24 | 0516860700 | 0C0137 | PIASTRINA OTTONE | JOINTING REAR PLATE | |
| 25 | 0806850301 | 0C2163 | TROPPO PIENO | PIPE DRAIN | |
| 26 | 0543815500 | 0A5182 | GUARNIZIONE OR | GASKET OR | |
| 27 | 0509803700 | * | BACINELLA (9F9L815400) | BASIN (9F9L815400) | |
| 28 | 0509803600 | * | COPERCHIO BACINELLA (9F9L818600) | LID OF BASIN (9F9L818600) | |
| 29 | 0315252601 | 026806 | PIEDINO | FOOT | |
| 30 | 050489H900 | * | BOX GENERATORI ATICS | GENERATOR BOX ATICS | Until 4281 |
| 31 | 0873879802 | 0C7867 | INVERTER ATICS 5KW | INVERTER ATICS 5KW | Until 4281 |
| 32 | 0516892400 | 0C4004 | PERNO LUNGO ATICS | LONG PIN ACTIS | |
| 33 | 0516892500 | 0C4002 | MOLLA ATICS | SPRING ATICS | |
| 34 | 0516892300 | 0C4003 | PERNO CORTO ATICS | SHORT PIN ACTIS | |
| 35 | 0830897601 | 0C0027 | BOBINA ATICS | COIL ATICS | Art. 36+37 included |
| 36 | * | 0K4302 | SONDA TEMPERATURA ATICS | TEMP PROBE ATICS | 49 Cm , PT1000 |
| 37 | * | 0G3527 | NASTRO SPECIFICO FISS. SONDA | FIX TAPE FOR PROBE FIX | HIGHT TEMP |
| 38 | 083089G500 | 0C8305 | GENERATORE COMPLETO ATICS | COMPLETE GENERATOR ATICS | 5kw - Until 4281 |
| 40 | 0660808100 | 0C3999 | LUCE ROSSA (lampadina) | RED LAMP (bulb) | PDX2014-01 |
| 40 | 0660808200 | 0C4000 | LUCE VERDE (lampadina) | GREEN LAMP (bulb) | PDX2014-01 |
| 41 | 0639810000 | 0C3978 | ASSIEME CAVETTI COMMUTATORE | CABLE, COMMUTATOR | PDX2014-01 |
| 42 | 0641804000 | 0K1631 | COMMUTATORE | SWITCH | PDX2014-01 |
| 43 | * | 0G5277 | CAVETTI COMMUTATORE | CABLE, SELECTOR | PDX2014-01 |
| 44 | 0831840200 | 0C6109 | KIT COMMUTATORE | KIT SELECTOR | PDX2014-01 |

From Ser. Nr. 116 (2011)
Up to Ser. Nr.

Ed. document publication . 2017 - 03
Ed. page revision 2019 - 04

Page 5

Doc. N° 59785DR00

PIANO DI COTTURA ORIZZONTALE INDUZIONE TOP E700XP
HORIZONTAL INDUCTION COOK TOP E700XP

| <i>Pos</i> | <i>Factory Code</i> | <i>Spare Code</i> | <i>Descrizione</i> | <i>Description</i> | <i>Ref./Note</i> |
|-------------------|---------------------|-------------------|---|---|--|
| 50 | 0660808400 | 0C9697 | LED LUCE VERDE | GREEN LED LAMP | From 4031 PDX2014-01 |
| 50 | 0660808500 | 0C9698 | LED LUCE ROSSA | RED LED LAMP | From 4031 PDX2014-01 |
| 51 | 080083AA02 | OCA029 | GENERATORE COMPLETO FOUCAULT 1 | COMPLETE GENERATOR FOUCAULT 1 | 5Kw, From 4291 Until 7051 PDX2017-01 |
| 51 KIT | 83089PK00 | OCB044 | KIT COMPLETO RETROFIT FOUCAULT 2.1 | COMPLETE RETROFIT KIT FOUCAULT 2.1 | 5KW, From 4291 PDX2017-01 - PDX2019- 01 |
| 51 | 083089NG01 | OCB040 | GENERATORE COMPLETO FOUCAULT2 | COMPLETE GENERATOR FOUCAULT2 | 5KW, FROM 7061 PDX2017-01 |
| 52 | 0641805800 | 0C9905 | COMMUTATORE GOTTAK FOUCAULT1 | SELECTOR GOTTAK FOUCAULT1 | Until 7051 PDX2017-01 |
| 52 | 0641805G00 | OCA934 | COMMUTATORE ALTMAN FOUCAULT2 | SELECTOR ALTMAN FOUCAULT2 | From 7061 and RETROFIT KIT PDX2017-01 |
| 53 | 0657800600 | OCA174 | CAVO COMMUTATORE GOTTAK / GENERATORE FOUCAULT1 | CABLE SELECTOR GOTTAK / GENERATOR FOUCAULT1 | Until 7051 PDX2017-01 |
| 53 | 0657800900 | OCA995 | CAVO COMMUTATORE ALTMAN / GENERATORE FOUCAULT2 E RETROFIT KIT | CABLE, SELECTOR ALTMAN / GENERATOR FOUCAULT2 AND RETROFIT KIT | FROM 7061 PDX2017-01 |
| 54 | 50289GW01 | * | BOX GENERATORI FOUCAULT1/2 | BOX, GENERATORS FOUCAULT1/2 | From 4291 |

From Ser. Nr
Up to Ser. Nr.

Ed. document publication . 2017 – 03
Ed. page revision 2019 - 05

Page 6

Doc. N° 59785DR00