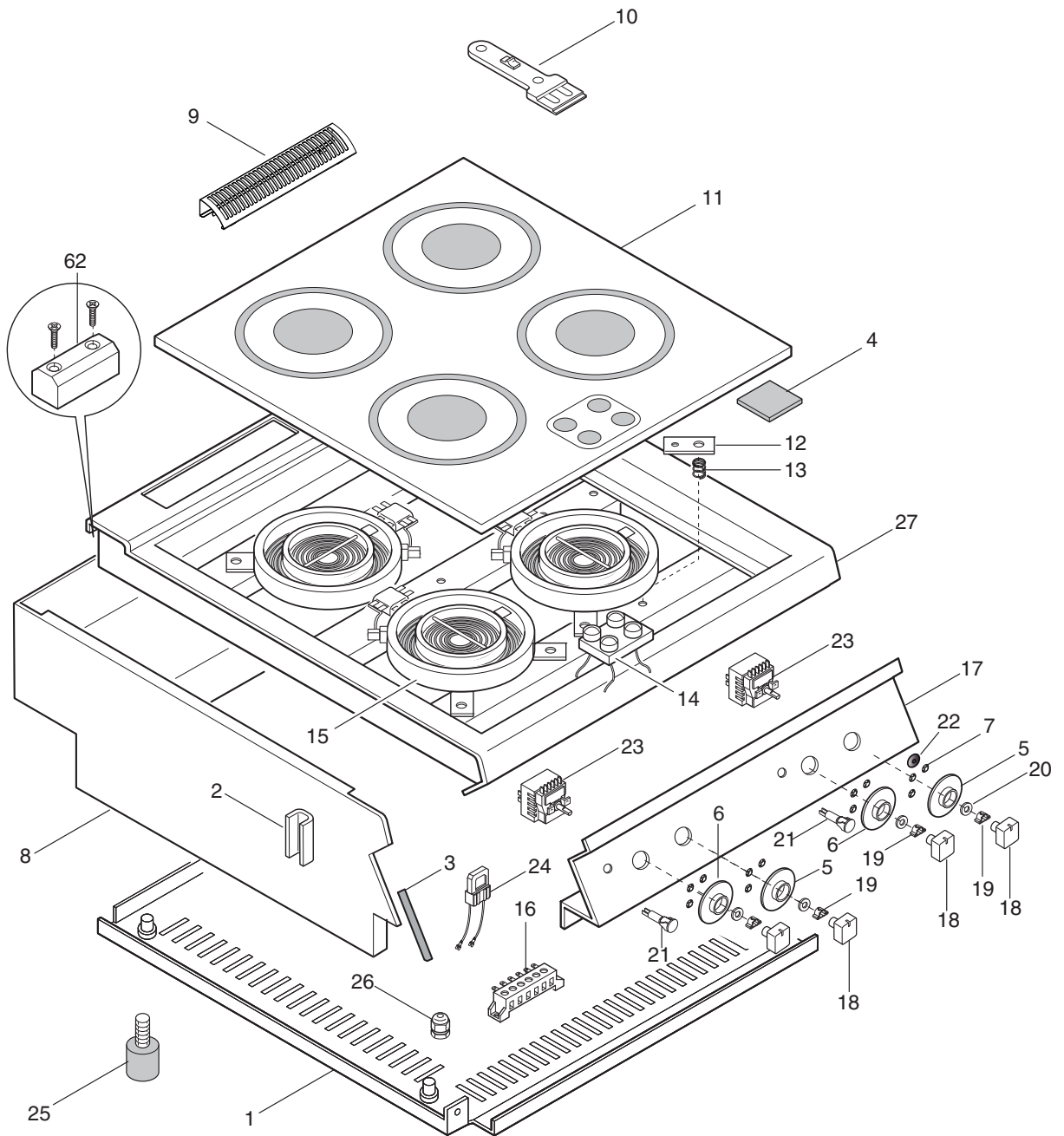


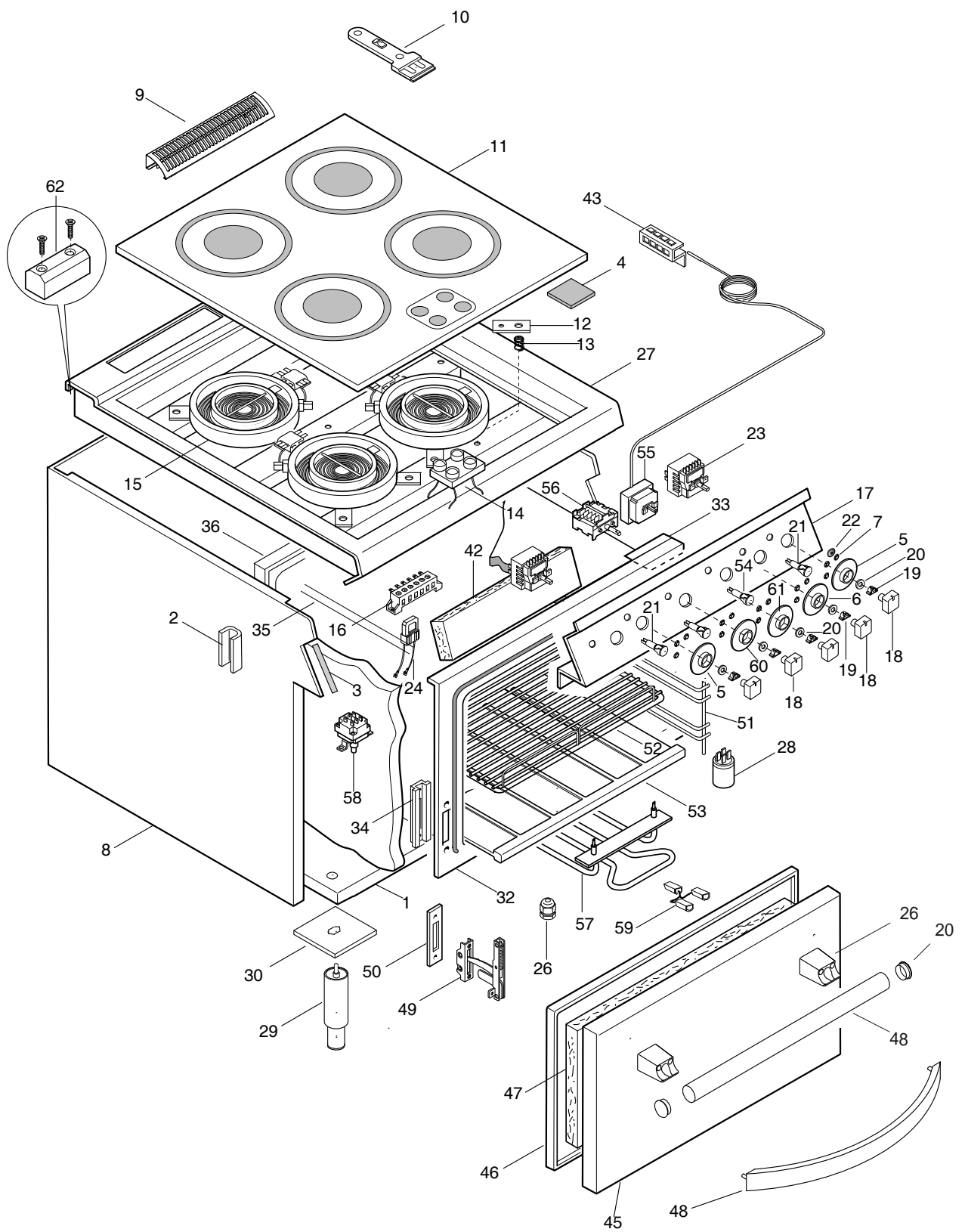
**CUCINA INFRAROSSO E700XP
INFRARED COOKING E700XP**

| PNC | Model | Ref | Pag. | Brand | Version | Notes |
|--------|------------|-----|------|-------|---------|----------------------|
| 371024 | E7IRED2000 | a | 2-4 | ELX | | TOP 400 MM |
| 371025 | E7IREH4000 | b | 2-4 | ELX | | TOP 800 MM |
| 371026 | E7IREH40E0 | c | 2-4 | ELX | | RANGE+EL.OVEN 800 MM |
| 371133 | E7IRED200N | d | 2-4 | ELX | | TOP 400 MM-230V |
| 371134 | E7IREH400N | e | 2-4 | ELX | | TOP 800 MM-230V |
| 372024 | Z7IRED2000 | f | 2-4 | ZAN | | TOP 400 MM |
| 372025 | Z7IREH4000 | g | 2-4 | ZAN | | TOP 800 MM |
| 372026 | Z7IREH40E0 | h | 2-4 | ZAN | | RANGE+EL.OVEN 800 MM |
| 372133 | Z7IRED200N | i | 2-4 | ZAN | | TOP 400 MM-230V |
| 372134 | Z7IREH400N | l | 2-4 | ZAN | | TOP 800 MM-230V |
| 373024 | A7IRED2000 | m | 2-4 | OEM | | TOP 400 MM |
| 373025 | A7IREH4000 | n | 2-4 | OEM | | TOP 800 MM |
| 373026 | O7IREH40E0 | o | 2-4 | OEM | | RANGE+EL.OVEN 800 MM |
| 373133 | A7IRED200N | p | 2-4 | OEM | | TOP 400 MM-230V |
| 373134 | A7IREH400N | q | 2-4 | OEM | | TOP 800 MM-230V |

| Pag | Index | Indice | Note |
|-----|--------------------|----------------------|------|
| 2-4 | General components | Componenti struttura | |
| 5,6 | Spare parts list | Lista ricambi | |

Brand/Marchio: All
Factory code: 9PDX





**CUCINA INFRAROSSO E700XP
INFRARED COOKING E700XP**

| <i>Pos</i> | <i>Factory Code</i> | <i>Spare part Code</i> | <i>Descrizione</i> | <i>Description</i> | <i>Ref./Note</i> |
|------------|---------------------|------------------------|------------------------------|--------------------------------|---------------------------|
| 1 | 05038A1U00 | * | FONDO PIANO 400 | BOTTOM TOP 400 MM | TOP |
| 1 | 05038A1V00 | * | FONDO PIANO 800 | BOTTOM TOP 800 MM | TOP |
| 1 | 05038A2300 | * | FONDO FORNO | BOTTOM OVEN 800 MM | OVEN |
| 2 | 0527850500 | 0C0156 | PIASTRA FISSAGGIO FIANCHI | SIDE PANELS JOINTING PLATE | |
| 3 | 0543821900 | 0C2496 | GUARNIZIONE CRUSCOTTO | GASKET CONTROL PANEL | |
| 4 | 0546810400 | 0C5419 | DISTANZIALE VETROCERAMICA | SPACER FOR GLASS TOP | |
| 5 | 0548877U00 | 0C7527 | GHIERA SIMOSTATO POSTERIORE | KNOB RING, ENERGY REGULATOR | ELX |
| 5 | 054887A200 | 0C7534 | GHIERA SIMOSTATO POSTERIORE | KNOB RING, ENERGY REGULATOR | ZAN, OEM up to 20/2011 |
| 5 | 0548879T00 | 0C7246 | GHIERA SIMOSTATO POSTERIORE | KNOB RING, SAFETY THERMOSTAT | ZAN, OEM from 21/2011 |
| 6 | 0548877T00 | 0C7344 | GHIERA SIMOSTATO ANTERIORE | KNOB RING, SAFETY THERMOSTAT | ELX |
| 6 | 054887A100 | 0C7533 | GHIERA SIMOSTATO ANTERIORE | KNOB RING, SAFETY THERMOSTAT | ZAN, OEM up to 20/2011 |
| 6 | 0548879S00 | 0C7245 | GHIERA SIMOSTATO ANTERIORE | KNOB RING, SAFETY THERMOSTAT | ZAN, OEM from 21/2011 |
| 7 | 0218912211 | 069567 | PIASTRINA PER GHIERA | PLATE FOR KNOB RING | |
| 8 | 085089F701 | 0C8544 | RIVESTIMENTO LATERALE 400 MM | EXTERNAL PANEL 400 MM | ELX, TOP |
| 8 | 085089FA01 | 0C7268 | RIVESTIMENTO LATERALE 400 MM | EXTERNAL PANEL 400 MM | ELX, TOP |
| 8 | 085089F801 | 0C7536 | RIVESTIMENTO LATERALE 800 MM | EXTERNAL PANEL 800 MM | ZAN, OEM - TOP |
| 8 | 085089FB01 | 0C8464 | RIVESTIMENTO LATERALE 800 MM | EXTERNAL PANEL 800 MM | ZAN, OEM - TOP |
| 8 | 085089FF01 | 0C8598 | RIVESTIMENTO LAT. MONOBLOCCO | EXT. PANEL FREESTANDING 800 MM | ELX - OVEN |
| 8 | 085089FJ01 | 0CA950 | RIVESTIMENTO LAT. MONOBLOCCO | EXT. PANEL FREESTANDING 800 MM | ZAN - OVEN |
| 9 | 050389LP00 | 0C7333 | GRIGLIA CAMINO | GRATE, CHIMNEY | |
| 10 | 0830865500 | 059048 | RASCHIETTO | SCRAPER | |
| 11 | 0574820400 | 0C7188 | RIPIANO VETROCERAMICA 400 MM | GLASS TOP 400 MM | |
| 11 | 0574820300 | 0C7866 | RIPIANO VETROCERAMICA 800 MM | GLASS TOP 800 MM | |
| 12 | 0508813201 | 0A5300 | PIASTRINA FISS.RESISTENZA | PLATE FOR HEATING ELEMENT | |
| 13 | 0514886600 | 059044 | MOLLA X PIASTRA | SPRING | |
| 14 | 0830863200 | 059047 | LAMPADE SPIA | PILOT LAMP | |
| 15 | 0617817600 | 005008 | PIASTRA ELETTRICA | ELECTRIC PLATE | |
| 16 | 0A05714000 | 058613 | MORSETTIERA | MAIN TERMINAL BOARD | |
| 17 | 085089B000 | 0C7291 | CRUSCOTTO TOP 400 MM | CONTROL PANEL TOP 400 MM | ELX |
| 17 | 085089FW00 | 0C7647 | CRUSCOTTO TOP 400 MM | CONTROL PANEL TOP 400 MM | ZAN, OEM |
| 17 | 0800838400 | * | CRUSCOTTO TOP 400 MM | CONTROL PANEL TOP 400 MM | p |
| 17 | 085589A400 | 0C7308 | CRUSCOTTO TOP 800 MM | CONTROL PANEL TOP 800 MM | ELX |
| 17 | 085089FX00 | 0C7648 | CRUSCOTTO TOP 800 MM | CONTROL PANEL TOP 800 MM | ZAN, OEM |
| 17 | 0800838500 | * | CRUSCOTTO TOP 800 MM | CONTROL PANEL TOP 800 MM | q |
| 17 | 085589AV00 | 0C7275 | CRUSCOTTO MONOBLOCCO | CON. PANEL FREESTANDING | ELX |
| 17 | 085089GM01 | 0C7651 | CRUSCOTTO MONOBLOCCO | CON. PANEL FREESTANDING | ZAN |
| 17 | 0800839700 | * | CRUSCOTTO MONOBLOCCO | CON. PANEL FREESTANDING | O |
| 18 | 0511850G01 | 0C6670 | MANOPOLA | KNOB | ELX |
| * | 0548877V00 | 0C7345 | ADATTATORE MANOPOLA | KNOB ADAPTER | ELX |
| 18 | 0548878201 | 0C7232 | MANOPOLA | KNOB | ZAN |
| 18 | 0548865500 | 0A5621 | MANOPOLA | KNOB | OEM |
| 19 | 0214590701 | 025245 | MOLLETTA PER MANOPOLA | SPRING, KNOB | |
| 20 | 0543821000 | 053816 | GUARNIZIONE MANOPOLA | GASKET, KNOB | |
| 21 | 0876800002 | 005010 | LAMPADA SPIA VERDE | GREEN LAMP | |
| 22 | 0541813800 | 0C6171 | RONDELLA SILICONE | SILICONE WASHER | |
| 23 | 0699802B00 | 0C6530 | REGOLATORE ENERGIA | ENERGY REGULATOR | |
| 24 | 0694801500 | 003551 | SNUBBER | SNUBBER | |
| 25 | 0315252601 | 026806 | PIEDINO | FOOT | TOP |
| 26 | 0544802300 | 0C0068 | PRESSACAVO | TIGHTENER, CORD | |
| 27 | 087089B900 | 0C7216 | RIPIANO 400 MM | TOP 400 MM | ELX |
| 27 | 087089BF00 | 0C7654 | RIPIANO 400 MM | TOP 400 MM | ZAN |
| 27 | 087089BA00 | 0C7872 | RIPIANO 800 MM | TOP 800 MM | ELX |
| 27 | 087089BG00 | 0C7655 | RIPIANO 800 MM | TOP 800 MM | ZAN |
| 28 | 0694605400 | 049303 | FILTRO TRIFASE | TRIPHASE FILTER | |
| 29 | 0835856900 | 0C0204 | PIEDE | FOOT | |

**CUCINA INFRAROSSO E700XP
INFRARED COOKING E700XP**

| <i>Pos</i> | <i>Factory Code</i> | <i>Spare part Code</i> | <i>Descrizione</i> | <i>Description</i> | <i>Ref./Note</i> |
|------------|---------------------|------------------------|----------------------------------|---------------------------|---------------------|
| 30 | 050589CD00 | * | PIASTRA DI RINFORZO | STIFFENING PLATE, FOOT | |
| 31 | 0530R01801 | 0C6823 | TAPPO MANIGLIA | HANDLE CLOSURE | ELX |
| 32 | 870838210 | 0C0218 | FACCIATA FORNO 800 mm | FRONT OVEN 800 mm | |
| 33 | 0529850501 | 0C0182 | PIASTRINA FACCIATA | PLATE FOR FRONT OVEN | |
| 34 | 0529835404 | 0C5244 | SUPPORTO CERNIERA | HINGE SUPPORT | |
| 35 | 0522883606 | * | CELLA FORNO | OVEN CELL | |
| 36 | 0522882703 | * | SCHIENALE FORNO | REAR PANEL, OVEN | |
| 37 | 0533825302 | * | PARETE ANTERIORE CAMINO | FRONTAL PANEL CHIMNEY | |
| 38 | 0533825401 | * | PARETE POSTERIORE CAMINO | REAR PANEL FOR CHIMNEY | |
| 39 | 0560802203 | * | ISOLAMENTO DX E SX | LEFT AND RIGHT INSULATION | |
| 40 | 0560851800 | 0CB489 | ISOLAMENTO CELLA | CELL INSULATION | |
| 41 | 0530R01701 | 0C6891 | SUPPORTO MANIGLIA | HANDLE SUPPORT | ELX |
| 42 | 0560840300 | 0C0261 | ISOLAMENTO ANTERIORE | FRONT INSULATION | |
| 43 | 0538862800 | 0C6444 | GRIGLIETTA PROTEZIONE BULBO | GRID FOR BULB PROTECTION | |
| 45 | 050389G501 | 0C7272 | PORTA FORNO | OVEN DOOR | |
| 46 | 050389G600 | 0C7273 | CONTROPORTA | INNER DOOR | |
| 47 | 0560839601 | 0C0197 | ISOLAMENTO PORTA | DOOR INSULATION | |
| 48 | 051589A500 | 0C7274 | MANIGLIA FORNO | HANDLE, DOOR | ELX |
| 48 | 051589A601 | 0C7226 | MANIGLIA FORNO | HANDLE, DOOR | ZAN |
| 48 | 083089FY00 | 0C7946 | MANIGLIA FORNO | HANDLE, DOOR | OEM |
| * | 085589A300 | 0C7271 | ASS. PORTA FORNO | OVEN DOOR ASSEMBLY. | ELX |
| * | 085589CH01 | 0C7276 | ASS. PORTA FORNO | OVEN DOOR ASSEMBLY. | ZAN |
| * | 085589CQ02 | 0C7278 | ASS. PORTA FORNO | OVEN DOOR ASSEMBLY. | OEM |
| 49 | 0835848100 | 0C0203 | CERNIERA PORTA | HINGE, DOOR | |
| 50 | 0205075423 | 052725 | COPRICERNIERA | HINGE COVER | |
| 51 | 051489AA00 | 0C6446 | GUIDE PER TEGLIE | PLATES RUNNERS | |
| 52 | 0330260843 | 025020 | GRIGLIA FORNO | GRID, OVEN | |
| 53 | 0500850001 | 054144 | SUOLA FORNO | SOLE PLATE | |
| 54 | 0876800102 | 005011 | LAMPADA SPIA ARANCIO | ORANGE LAMP | |
| 55 | 0646805302 | 059235 | TERMOSTATO TRIPOLARE | TRIPOLAR THERMOSTAT | |
| 56 | 0641803700 | 0C0320 | COMMUTATORE | SWITCH | |
| 57 | 0617832400 | 0C2813 | RESISTENZA FORNO | HEATING ELEMENT DOOR | |
| 58 | 0646808600 | 004600 | LIMITATORE TEMPERATURA | SAFETY THERMOSTAT | |
| 59 | 063889BD00 | OCA793 | RESISTENZA DI DISPERSIONE | LEAKAGE RESISTANCE | OVEN – c,h,o |
| 60 | 0548877J00 | 0C7231 | GHIERA COMMUTATORE | KNOB RING, SWITCH | ELX - OVEN |
| 60 | 0548879U00 | 0C7247 | GHIERA COMMUTATORE | KNOB RING, SWITCH | ZAN , OEM- OVEN |
| 61 | 0548877S00 | 0C7343 | GHIERA TERMOSTATO | KNOB RING, THERMOSTAT | ELX - OVEN |
| 61 | 0548879D00 | 0C7242 | GHIERA TERMOSTATO | KNOB RING, THERMOSTAT | ZAN , OEM- OVEN |
| 62 | 0516860702 | 0C0137 | PIASTRINA POSTERIORE | REAR PLATE | |