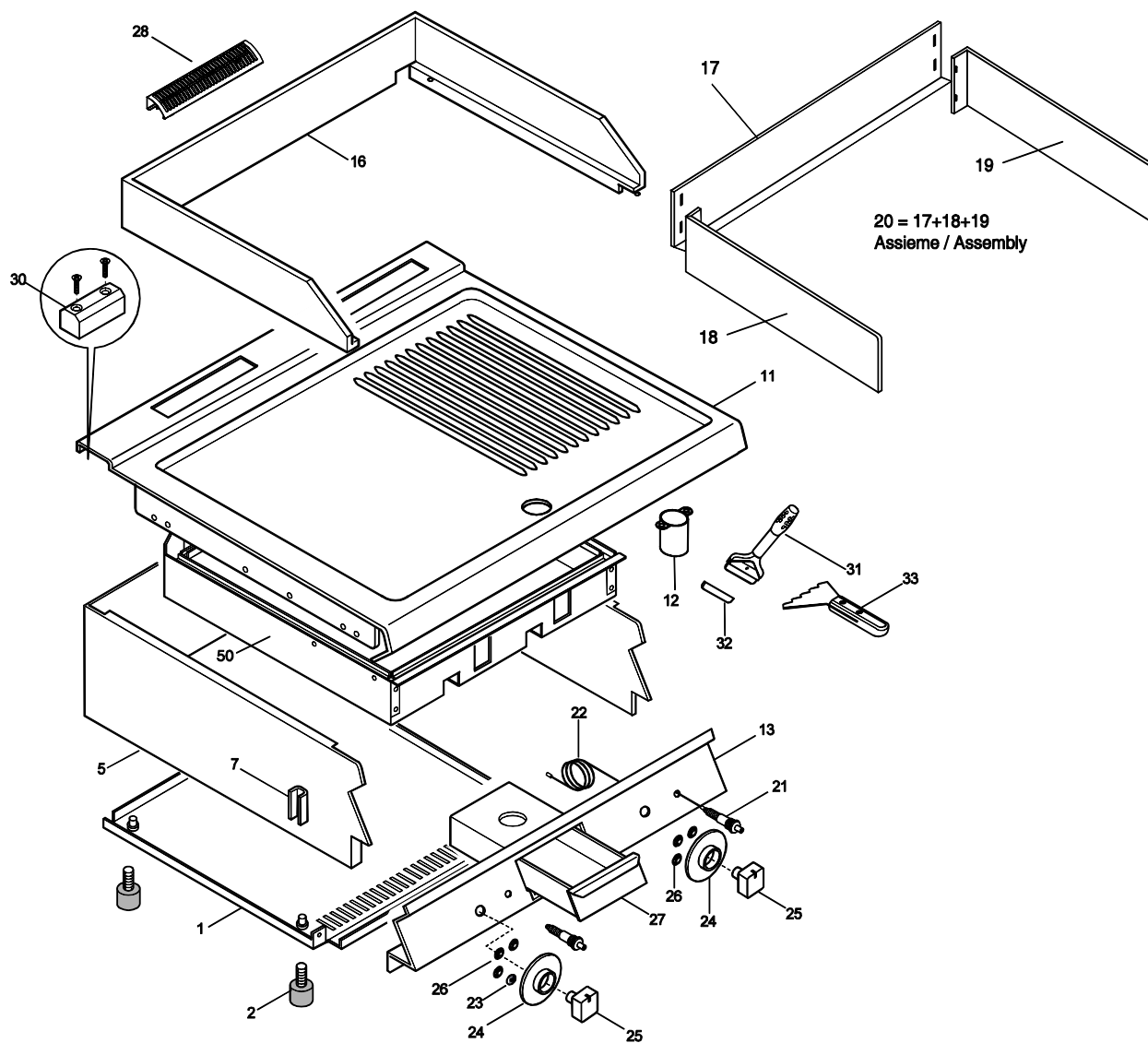


**FRY TOP GAS E700XP  
 GAS GRIDDLES E700XP**

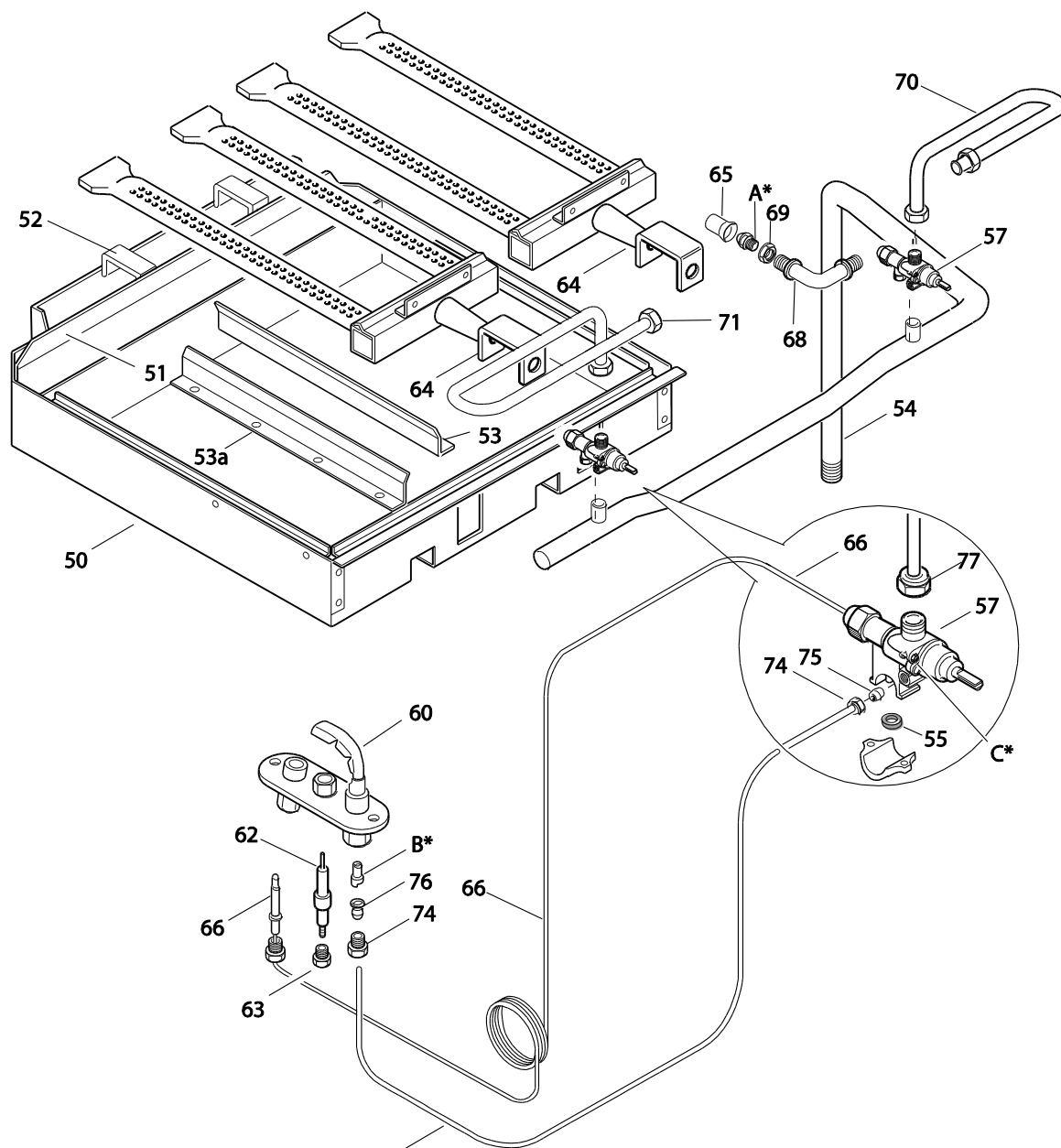
PNC	Model	Ref	Pag.	Brand	Version	Notes
371029	E7FTGDSS00	a	2-4	ELX	GAS	SMOOTH PLATE 400 MM
371030	E7FTGDSR00	b	2-4	ELX	GAS	RIBBED PLATE 400 MM
371031	E7FTGHSS00	d	2-4	ELX	GAS	SMOOTH PLATE 800 MM
371032	E7FTGHSP00	e	2-4	ELX	GAS	SMOOTH+RIBBED PLATE 800 MM
371037	E7FTGDSC00	c	2-4	ELX	GAS	SMOOTH CHROME PLATE 400 MM
371038	E7FTGHCS00	f	2-4	ELX	GAS	SMOOTH CHROME PLATE 800 MM
371041	E7FTGHCP00	g	2-4	ELX	GAS	SMOOTH+RIBBED CHR.PLATE 800MM
372029	Z7FTGDHS00	h	2-4	ZAN	GAS	SMOOTH PLATE 400 MM
372030	Z7FTGDSR00	i	2-4	ZAN	GAS	RIBBED PLATE 400 MM
372031	Z7FTGHHS00	l	2-4	ZAN	GAS	SMOOTH PLATE 800 MM
372032	Z7FTGHSP00	m	2-4	ZAN	GAS	SMOOTH+RIBBED PLATE 800 MM
372037	Z7FTGDSC00	n	2-4	ZAN	GAS	SMOOTH CHROME PLATE 400 MM
372038	Z7FTGHCS00	o	2-4	ZAN	GAS	SMOOTH CHROME PLATE 800 MM
372041	Z7FTGHCP00	p	2-4	ZAN	GAS	SMOOTH+RIBBED CHR.PLATE 800MM
372158	Z7FTGDSS0H	q	2-4	ZAN	GAS	SMOOTH PLATE 400 MM-HAKVOORT
373029	A7FTGDHS00	r	2-4	OEM	GAS	SMOOTH PLATE 400 MM
373030	A7FTGDSR00	s	2-4	OEM	GAS	RIBBED PLATE 400 MM
373031	A7FTGHHS00	t	2-4	OEM	GAS	SMOOTH PLATE 800 MM
373032	A7FTGHSP00	u	2-4	OEM	GAS	SMOOTH+RIBBED PLATE 800 MM
373037	A7FTGDSC00	v	2-4	OEM	GAS	SMOOTH CHROME PLATE 400 MM
373038	A7FTGHCS00	w	2-4	OEM	GAS	SMOOTH CHROME PLATE 800 MM
373041	A7FTGHCP00	z	2-4	OEM	GAS	SMOOTH+RIBBED CHR.PLATE 800MM
373224	A7FTGDSS0K	A1	2-4	KIP	GAS	SMOOTH PLATE 400 MM
373225	A7FTGDSR0K	B1	2-4	KIP	GAS	RIBBED PLATE 400 MM
373226	A7FTGHSS0K	C1	2-4	KIP	GAS	SMOOTH PLATE 800 MM
373227	A7FTGHSP0K	D1	2-4	KIP	GAS	SMOOTH+RIBBED PLATE 800MM

Pag	Index	Indice	Note
2	General components	Componenti struttura	
3,4	Gas components	Componenti Gas	
5,6,7	Spare parts list	Lista ricambi	

Brand/Marchio: All  
 Factory code: 9PDX



mild steel plate - piastra ferro



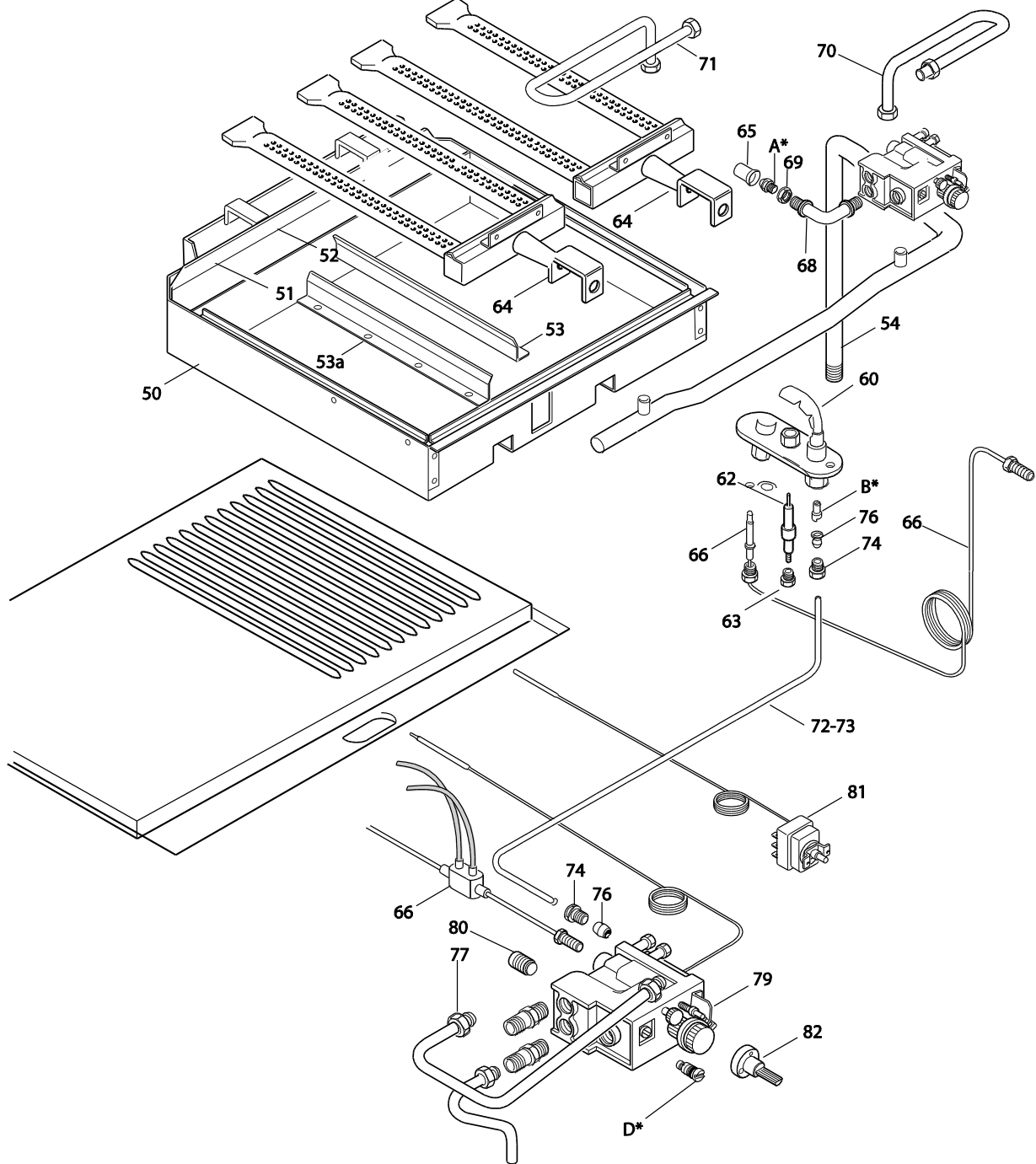
72-73

A - Ugello bruciatore / Burner nozzle			
Spare Code	Ref. / Notes		
0A2102	ø2	2H/2E+	G20 20mbar
0A2077	ø1.85	2H	G20 25mbar
0A2083	ø2.20	2ELL	G25 20mbar
058335	ø1.45	2L	G25 25mbar
059418	ø2.05	2S	G25.1 25mbar
0A2533	ø1.35	3+3B/P	G30 30mbar
002393	ø1.30	3B/P	G30 36mbar
0A2650	ø1.20	3B/P	G30 50mbar
0A2081	ø2.30	No CE	G20 10mbar
0A2174	ø4	No CE	G110 8mbar

B - Ugello pilota / Pilot nozzle			
Spare Code	Ref./ Notes		
059215	n°27	2H/2E+	G20 20mbar
059215	n°27	2H	G20 25mbar
059215	n°27	2ELL	G25 20mbar
059215	n°27	2L	G25 25mbar
059215	n°27	2S	G25.1 25mbar
059216	n°14	3+3B/P	G30 30mbar
059216	n°14	3B/P	G30 36mbar
059216	n°14	3B/P	G30 50mbar
059215	n°27	No CE	G20 10mbar
059356	n°50	No CE	G110 8mbar

C - Vite di minimo / Min screw			
Spare Code	Ref./ Notes		
002994	n°145	2H/2E+	G20 20mbar
002994	n°145	2H	G20 25mbar
002994	n°145	2ELL	G25 20mbar
002994	n°145	2L	G25 25mbar
002994	n°145	2S	G25.1 25mbar
004595	n°100	3+3B/P	G30 30mbar
004595	n°100	3B/P	G30 36mbar
002926	n°90	3B/P	G30 50mbar
002994	n°145	No CE	G20 10mbar
-	adjust	No CE	G110 8mbar

## chrome plate - piastra cromo



A - Ugello bruciatore / Burner nozzle			
Spare Code	Ref. / Notes		
0A2102	ø2	2H/2E+	G20 20mbar
0A2077	ø1.85	2H	G20 25mbar
0A2083	ø2.20	2ELL	G25 20mbar
058335	ø1.45	2L	G25 25mbar
059418	ø2.05	2S	G25.1 25mbar
0A2533	ø1.35	3+3B/P	G30 30mbar
002393	ø1.30	3B/P	G30 36mbar
0A2650	ø1.20	3B/P	G30 50mbar
0A2081	ø2.30	No CE	G20 10mbar
0A2174	ø4	No CE	G110 8mbar

B - Ugello pilota / Pilot nozzle			
Spare Code	Ref. / Notes		
059215	n°27	2H/2E+	G20 20mbar
059215	n°27	2H	G20 25mbar
059215	n°27	2ELL	G25 20mbar
059215	n°27	2L	G25 25mbar
059215	n°27	2S	G25.1 25mbar
059216	n°14	3+3B/P	G30 30mbar
059216	n°14	3B/P	G30 36mbar
059216	n°14	3B/P	G30 50mbar
059215	n°27	No CE	G20 10mbar
059356	n°50	No CE	G110 8mbar

C - Vite di minimo / Min screw			
Spare Code	Ref. / Notes		
0A5422	n°160	2H/2E+	G20 20mbar
003159	n°140	2H	G20 25mbar
0A5422	n°160	2ELL	G25 20mbar
0A5422	n°160	2L	G25 25mbar
0A5422	n°160	2S	G25.1 25mbar
003321	n°110	3+3B/P	G30 30mbar
004602	n°100	3B/P	G30 36mbar
0C2987	n°90	3B/P	G30 50mbar
0A5422	n°160	No CE	G20 10mbar
-	adjust	No CE	G110 8mbar

<i>Pos</i>	<i>Factory Code</i>	<i>Spare Part Code</i>	<i>Descrizione</i>	<i>Description</i>	<i>Ref./Note</i>
1	5038A2D00	*	FONDO 400mm	BOTTOM PANEL 400mm	
1	5038A2C00	*	FONDO 800mm	BOTTOM PANEL 800mm	
3	315252601	026806	PIEDE	FOOT	
5	85089F701	0C8544	RIVESTIMENTO LATERALE 400 mm	EXTERNAL PANEL 400 mm	ELX
5	85089FA01	0C7268	RIVESTIMENTO LATERALE 400 mm	EXTERNAL PANEL 400 mm	ELX
5	85089F802	0C7536	RIVESTIMENTO LATERALE 800 mm	EXTERNAL PANEL 800 mm	ZAN, OEM
5	85089FB01	0C8464	RIVESTIMENTO LATERALE 800 mm	EXTERNAL PANEL 800 mm	ZAN, OEM
11	87589AB00	0C7691	RIPIANO 400mm FE-LISC.	TOP 400mm iron SMOOTH	a, untill ser. 210
11	87589C600	*	RIPIANO 400mm FE-LISC.	TOP 400mm iron -SMOOTH	a, from ser. 211
11	87589AC00	0C7692	RIPIANO 400mm FE-RIG.	TOP 400mm iron -RIBBED	b, untill ser. 210
11	87589C800	*	RIPIANO 400mm FE-RIG.	TOP 400mm iron -RIBBED	b, from ser. 211
11	87589AG00	0C7873	RIPIANO 400mm CR	TOP 400mm CHROME	c untill ser. 209
11	87589CJ00	*	RIPIANO 400mm CR	TOP 400mm CHROME	c, from ser. 210
11	87589AD00	0C7693	RIPIANO 800mm FE-LISC.	TOP 800mm iron -SMOOTH	d, , untill ser. 209
11	87589C700	*	RIPIANO 800mm FE-LISC.	TOP 800mm iron -SMOOTH	d, from ser. 210
11	87589AF00	0C7694	RIPIANO 800mm FE-1/3RIG.	TOP 800mm iron -RIBBED	e, untill ser. 209
11	87589C900	*	RIPIANO 800mm FE-1/3RIG.	TOP 800mm iron -RIBBED	e, from ser. 210
11	87589AK00	0C7697	RIPIANO 800mm CR	TOP 800mm CHROME	f, untill ser. 209
11	87589CC00	*	RIPIANO 800mm CR	TOP 800mm CHROME	f, from ser. 210
11	87589AL00	*	RIPIANO 800mm CR +1/3RIG.	TOP 800mm CHROME-1/3 RIBBED	g, untill ser. 208
11	87589CF00	*	RIPIANO 800mm CR +1/3RIG.	TOP 800mm CHROME-1/3 RIBBED	g, from ser. 209
11	87089JH00	0C7668	RIPIANO 400mm FE-LISC.	TOP 400mm iron -SMOOTH	r, untill ser. 209
11	87589CL00	*	RIPIANO 400mm FE-LISC.	TOP 400mm iron -SMOOTH	r, from ser. 210
11	87089JH00	0C7668	RIPIANO 400mm FE-LISC.	TOP 400mm iron -SMOOTH	h, q , untill ser. 209
11	87589CL00	*	RIPIANO 400mm FE-LISC.	TOP 400mm iron -SMOOTH	h, q , from ser. 210
11	87089JJ00	0C7669	RIPIANO 400mm FE-RIG.	TOP 400mm iron -RIBBED	i , s, untill ser. 210
11	87589CM00	*	RIPIANO 400mm FE-RIG.	TOP 400mm iron -RIBBED	i , s, from ser. 210
11	87089HF00	0C7667	RIPIANO 400mm CR	TOP 400mm CHROME	n, v , untill ser. 208
11	87589CQ00	*	RIPIANO 400mm CR	TOP 400mm CHROME	n, v , from ser. 209
11	87089K100	0C7678	RIPIANO 800mm FE-LISC.	TOP 800mm iron -SMOOTH	l, t, , untill ser. 209
11	87589CS00	*	RIPIANO 800mm FE-LISC.	TOP 800mm iron -SMOOTH	l, t, , from ser. 209
11	87089K200	0C7679	RIPIANO 800mm FE-1/3RIG.	TOP 800mm iron -RIBBED	m, u , untill ser. 209
11	87589CT00	*	RIPIANO 800mm FE-1/3RIG.	TOP 800mm iron -RIBBED	m, u , from ser. 210
11	87089K300	0C7680	RIPIANO 800mm CR	TOP 800mm CHROME	o , untill ser. 210
11	87589CW00	*	RIPIANO 800mm CR	TOP 800mm CHROME	o , from ser. 211
11	87089K300	0C7680	RIPIANO 800mm CR	TOP 800mm CHROME	w , untill ser. 211
11	87589CW00	*	RIPIANO 800mm CR	TOP 800mm CHROME	w , from ser. 212
11	87089K500	*	RIPIANO 800mm CR +1/3RIG.	TOP 800mm CHROME-RIBBED	p, z, untill 210
11	87589CY00	*	RIPIANO 800mm CR +1/3RIG.	TOP 800mm CHROME-RIBBED	p, z, from ser 211
12	806860101	*	TUBO DI SCARICO	DRAIN PIPE	
13	87089JR00	0C7672	CRUSCOTTO 400mm	CONTROL PANEL 400mm	ELX
13	85589B800	0C7663	CRUSCOTTO 800mm	CONTROL PANEL 800mm	ELX
13	85589B901	0C7870	CRUSCOTTO 400mm	CONTROL PANEL 400mm	ELX - CHROME
13	85589C700	0C7664	CRUSCOTTO 800mm	CONTROL PANEL 800mm	ELX - CHROME
13	87089JQ00	0C7671	CRUSCOTTO 400mm	CONTROL PANEL 400mm	ZAN
13	87089MU00	*	CRUSCOTTO 800mm	CONTROL PANEL 800mm	ZAN
13	87089JM00	0C7670	CRUSCOTTO 400mm	CONTROL PANEL 400mm	ZAN - CHROME
13	87089K400	0C7681	CRUSCOTTO 800mm	CONTROL PANEL 800mm	ZAN - CHROME

Pos	Factory Code	Spare Part Code	Descrizione	Description	Ref./Note
13	87089LW00	0C7688	CRUSCOTTO 400mm	CONTROL PANEL 400mm	OEM
13	87089MV00	*	CRUSCOTTO 800mm	CONTROL PANEL 800mm	OEM
13	87089LX00	0C7689	CRUSCOTTO 400mm	CONTROL PANEL 400mm	OEM - CHROME
13	87089LY00	0C7690	CRUSCOTTO 800mm	CONTROL PANEL 800mm	OEM - CHROME
15	527850500	0C0156	PIASTRINA FACCIATA FIANCO	PLATE JOINTING	
16	532806904	0C2964	PARASPRUZZI 400 mm	SPLASHBACK 400 mm	Up to ser 524
16	532807104	0C2965	PARASPRUZZI 800 mm	SPLASHBACK 800 mm	Up to ser 524
<b>17</b>	<b>50089B000</b>	<b>0CA412</b>	<b>PARASPRUZZI POST 400 mm</b>	<b>SPLASHBACK REAR 400 mm</b>	<b>400 mm from ser 525</b>
<b>17</b>	<b>50089B100</b>	<b>0CA413</b>	<b>PARASPRUZZI POST 800 mm</b>	<b>SPLASHBACK REAR 800 mm</b>	<b>800 mm from ser 525</b>
<b>18</b>	<b>50089B200</b>	<b>0CA414</b>	<b>PARASPRUZZI SX</b>	<b>SPLASHBACK LEFT</b>	<b>From ser 525</b>
<b>19</b>	<b>50089B300</b>	<b>0CA415</b>	<b>PARASPRUZZI DX</b>	<b>SPLASHBACK RIGHT</b>	<b>From ser 525</b>
<b>20</b>	<b>85089NA00</b>	<b>0CA420</b>	<b>ASSIEME PARASPRUZZI 400 mm</b>	<b>SPLASHBACK ASSEMBLY 400 mm</b>	<b>400 mm from ser 525</b>
<b>20</b>	<b>85089NB00</b>	<b>0CA421</b>	<b>ASSIEME PARASPRUZZI 800 mm</b>	<b>SPLASHBACK ASSEMBLY 800 mm</b>	<b>800 mm from ser 525</b>
21	835829600	059251	ACCENDITORE PIEZO	PIEZOELECTRIC IGNITER	
22	638883500	006514	CAVO ACCENDITORE	IGNITION CABLE	
23	541813800	0C6171	RONDELLA SILICONE	SILICONE WASHER	
24	548876T00	0C7332	GHIERA RUBINETTO	KNOB RING, GAS TAP	ELX
24	548879N00	0C7571	GHIERA RUBINETTO	KNOB RING, GAS TAP	ZAN, OEM
24	548877R00	0C7637	GHIERA VALVOLA EUROSIT	KNOB RING, GAS VALVE	ELX - CHROME
24	54887A000	0C7661	GHIERA VALVOLA EUROSIT	KNOB RING, GAS VALVE	ZAN, OEM - CHROME
25	511850G01	0C6670	MANOPOLA RUBINETTO	KNOB, GAS TAP	ELX
25	548878101	0C7425	MANOPOLA RUBINETTO	KNOB, GAS TAP	ZAN
25	548865600	0C1007	MANOPOLA RUBINETTO	KNOB, GAS TAP	OEM
25	548876W00	0C6746	MANOPOLA RUBINETTO	KNOB, GAS TAP	KIP, A1,B1,C1,D1
25	511850G01	0C6670	MANOPOLA VALVOLA GAS	KNOB, GAS VALVE	ELX - CHROME
25	548878001	0C7180	MANOPOLA VALVOLA GAS	KNOB, GAS VALVE	ZAN - CHROME
25	548865700	0C1380	MANOPOLA VALVOLA GAS	KNOB, GAS VALVE	OEM - CHROME
26	218912211	069567	MOLLA FISSAGGIO GHIERA	SPRING, KNOB RING	
27	85089CW00	0C7868	CASSETTO 400mm	DRAWER 400mm	
27	85089CY00	0C7662	CASSETTO 800mm	DRAWER 800mm	
28	50389LP00	0C7333	GRIGLIA CAMINO	GRID CHIMNEY	
30	516860702	0C0137	PIASTRINA UNIONE POST.	PLATE REAR JOINTING	
31	805848202	055995	RASCHIETTO PIASTRA LISCIA	SCRAPER SMOOTH PLATE	
31	f164257	056940	SPATOLA PER PIASTRA RIGATA	PADDLE FOR RIBBED PLATE	
32	506887401	056347	LAMA PER RASCHIETTO	BLADE FOR SCRAPER	
33	830851300	056940	SPATOLA PER PIASTRA RIGATA	PADDLE FOR RIBBED PLATE	
33	f164255	055995	RASCHIETTO PIASTRA LISCIA	SCRAPER SMOOTH PLATE	
50	50289D300	*	CAMERA COMBUSTIONE 400mm	COMBUSTION CHAMBER 400mm	
50	50289D400	*	CAMERA COMBUSTIONE 800mm	COMBUSTION CHAMBER 800mm	
51	533826703	*	PARETE ANTERIORE CAMINO 400mm	CHIMNEY FRONT PANEL 400mm	
51	533826803	*	PARETE ANTERIORE CAMINO 800mm	CHIMNEY FRONT PANEL 800mm	
52	528853402	*	DISTANZIALE CAMINO	CHIMNEY SPACER	
53	528856300	*	CONVOGLIATORE ARIA LUNGO	AIR CONVECTION DEVICE	
53a	528856200	*	CONVOGLIATORE ARIA CORTO	SHORT CONVECTION DEVICE	
54	856801501	0C3067	RIBALTA 400mm	GAS MANIFOLD 400mm	
54	856801602	0C3068	RIBALTA 800mm	GAS MANIFOLD 800mm	
54	856801702	0C3069	RIBALTA 400mm VALVOLATO	GAS MANIFOLD 400mm	Chrome plate

<i>Pos</i>	<i>Factory Code</i>	<i>Spare Part Code</i>	<i>Descrizione</i>	<i>Description</i>	<i>Ref./Note</i>
54	856801802	0C3070	RIBALTA 800mm VALVOLATO	GAS MANIFOLD 800mm	Chrome plate
55	543844000	0C6971	GUARNIZIONE	GASKET	
57	835857202	0C0205	RUBINETTO GAS	GAS TAP	Mild steel plate
60	830884101	005503	PILOTA	PILOT BURNER	
62	830863300	059380	ELETTRODO	ELECTRODE	
63	214164101	057960	RACCORDO ELETTRODO	PIPE FITTING, ELECTRODE	
64	830883404	004591	BRUCIATORE	BURNER	
65	215088100	052062	BOCCOLA REGOL.ARIA	BUSH FOR AIR REGULATION	
66	830853101	051119	TERMOCOPPIA	THERMOCOUPLE	Mild steel plate
66	831818901	0C3162	TERMOCOPPIA INTERROTTA	INTERRUPTED THERMOCOUPLE	Chrome plate
68	511805801	059375	PORTAUGELLO	NOZZLE HOLDER	
69	214105101	020997	CONTRODADO	LOCK NUT	
70	806846001	0C5160	CONDUTTURA GAS 400mm	GAS PIPE 400 mm	
70	806846801	0C5159	CONDUTTURA GAS DESTRA 800mm	GAS PIPE RIGHT SIDE 800mm	
71	806846901	0C5163	CONDUTTURA GAS SINISTRA	GAS PIPE LEFT SIDE 800mm	800 mm
71	806846102	0C5161	CONDUTT. SX GAS VALVOLATO	GAS PIPE LEFT SIDE 400mm	400 mm
71	806846202	0C5162	CONDUTT. DX GAS VALVOLATO	GAS PIPE RIGHT SIDE 400mm	400 mm
72	517896102	0C5046	CONDUTTURA PILOTA 400mm	PILOT GAS PIPE 400mm	
72	517896200	*	CONDUTTURA PILOTA	PILOT GAS PIPE	
73	517896502	0C5071	COND. PILOTA SINISTRA 800mm	PILOT GAS PIPE LEFT SIDE 800mm	
74	214164400	052125	RACCORDO PILOTA	PIPE FITTING, PILOT	
75	215199700	052127	BICONO PILOTA RUBINETTO	DOUBLE CONE, PILOT GAS TAP	
76	517808700	059161	BICONO PILOTA	DOUBLE CONE, PILOT	
77	514829301	0A2125	DADO PER TUBO	PIPE NUT	
78	215073101	060325	BICONO BRUCIATORE	DOUBLE CONE VALVE	
79	835873700	0C6235	VALVOLA EUROSIT	GAS VALVE	Chrome plate
80	835819400	056009	TAPPO VALVOLA	STOPPER FOR GAS VALVE	Chrome plate
81	646808600	004600	LIMITATORE TEMPERATURA	SAFETY THERMOSTAT	Chrome plate
82	548848401	004491	PROLUNGA MANOPOLA	EXTENSION KNOB	Chrome plate