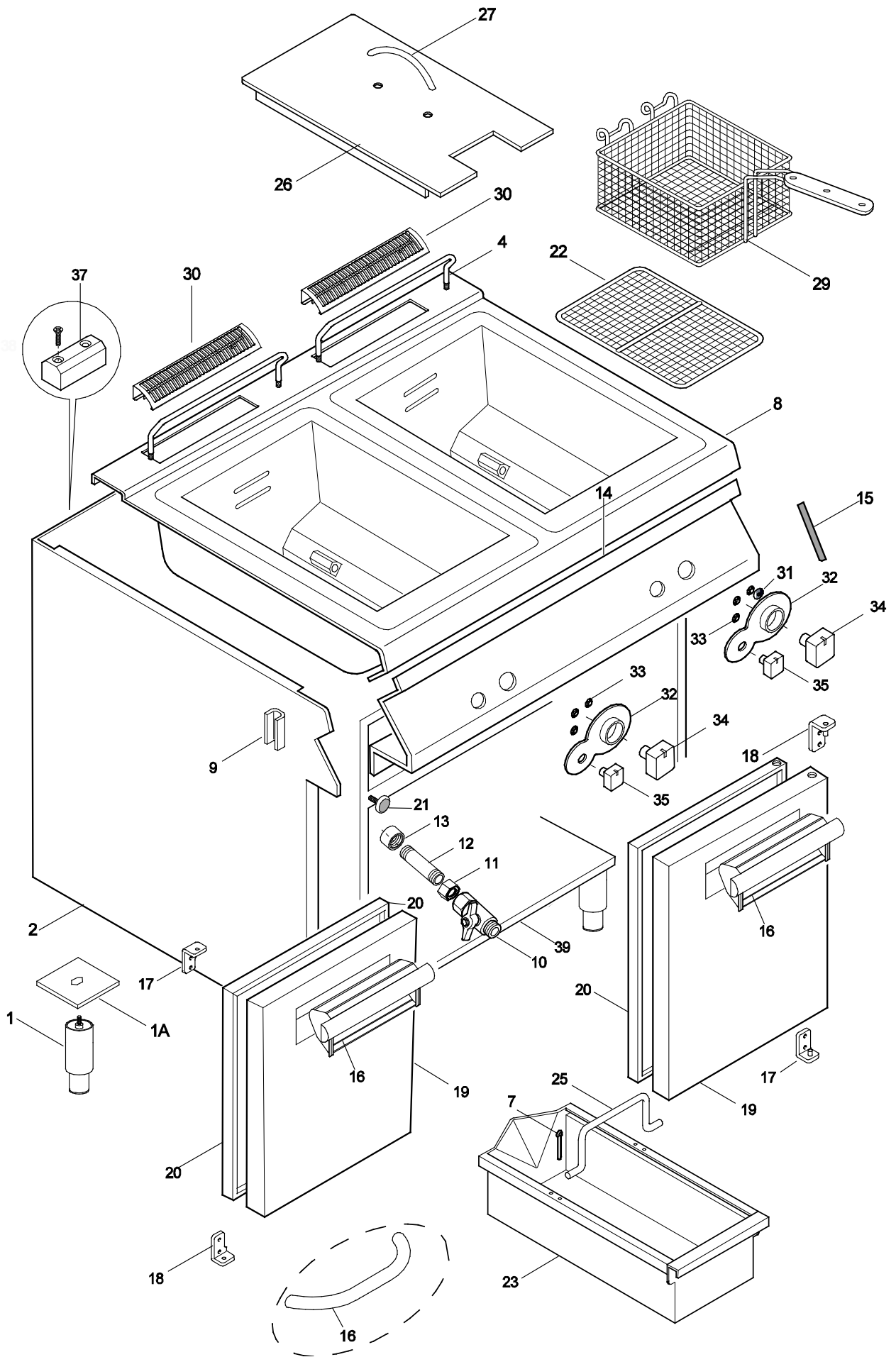


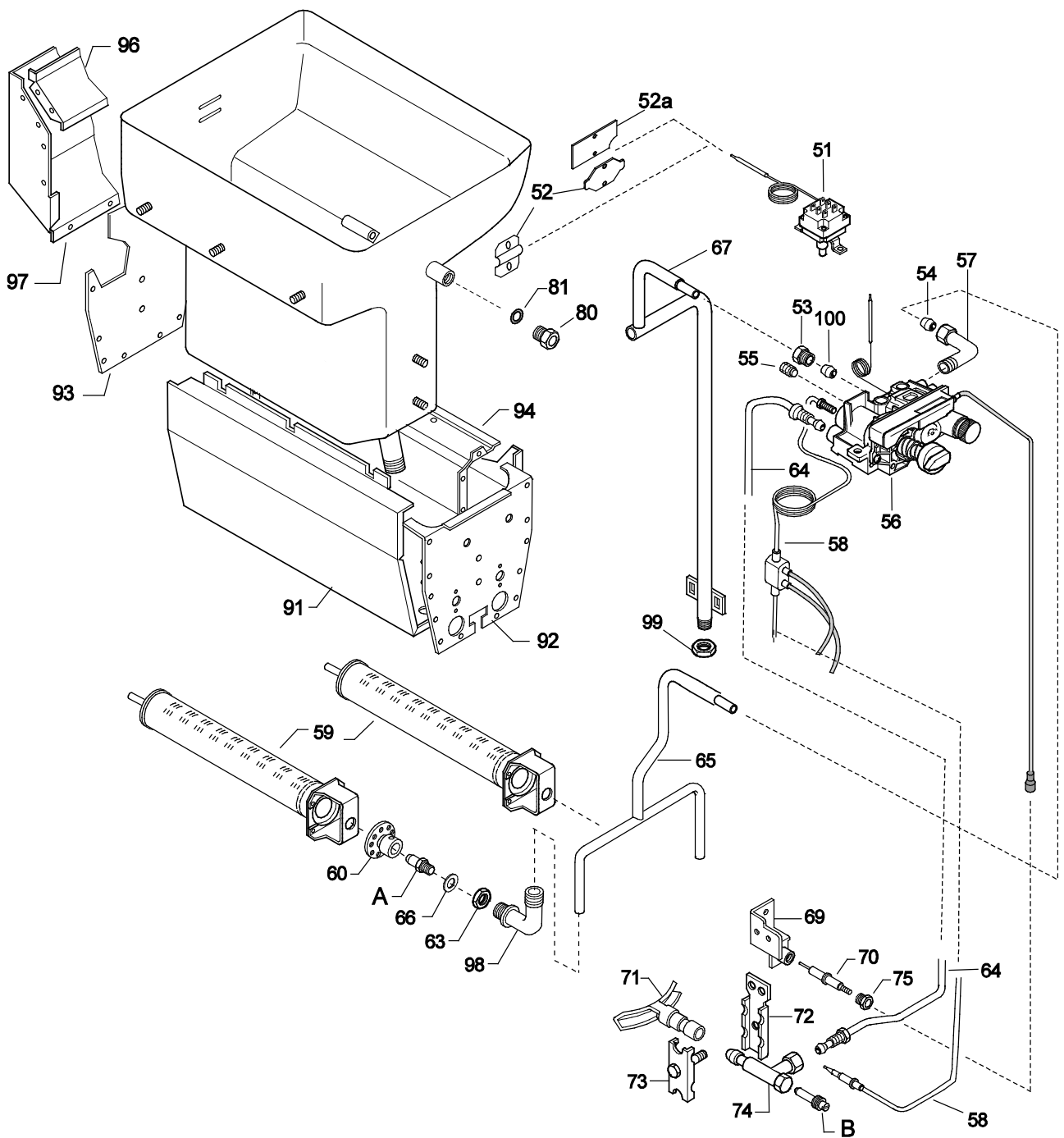
FRIGGITRICI GAS 15L E700 XP
GAS FRYERS 15L E700 XP

PNC	Model	Ref	Pag.	Brand	Version	Notes
371070	E7FRGD1GF0	a		ELX	GAS	15 LITRE 400 MM
371071	E7FRGH2GF0	b		ELX	GAS	2X15 LITRE 800 MM
372070	Z7FRGD1GF0	c		ZAN	GAS	15 LITRE 400 MM
372071	Z7FRGH2GF0	d		ZAN	GAS	2X15 LITRE 800 MM
372159	Z7FRGH2GFH	e		ZAN	GAS	2X15 LITRE 800 MM-HAKVOORT
373070	A7FRGD1GF0	f		OEM	GAS	15 LITRE 400 MM
373071	A7FRGH2GF0	g		OEM	GAS	2X15 LITRE 800 MM
373229	A7FRGD1GFK	H		KIP	GAS	15 LITRE 400 MM
373230	A7FRGH2GFK	I		KIP	GAS	2X15 LITRE 800 MM

Pag	Index	Indice	Note
2	General components	Componenti struttura	
3	Gas components	Componenti Gas	
4,5	Spare parts list	Lista ricambi	

Brand/Marchio: All
Factory code: 9PDX





A - Ugello bruciatore / Burner nozzle	
Spare part Code	Ref. / Notes
0C0729	ø2.40 2H/2E+ G20 20-25mbar
0C0730	ø2.65 2ELL G25 20mbar
0C0730	ø2.65 2L G25 25mbar
0C0730	ø2.65 2S/2E G25.1 25mbar
004732	ø1.35 3B/P G30 36mbar
004732	ø1.35 3+3B/P G30 30-50mbar
0C3079	ø6.25 G110 8mbar

B - Ugello pilota / Pilot nozzle	
Spare part Code	Ref. / Notes
003327	n°40 2H/2E+ G20 20-25mbar
003327	n°40 2ELL G25 20mbar
003327	n°40 2L G25 25mbar
003327	n°40 2S/2E G25.1 25mbar
058525	n°30 3B/P G30 36mbar
058525	n°30 3+3B/P G30 30-50mbar
056798	n°70 G110 8mbar

**FRIGGITRICI GAS 15L E700 XP
GAS FRYERS 15L E700 XP**

<i>Pos</i>	<i>Factory Code</i>	<i>Spare Part Code</i>	<i>Descrizione</i>	<i>Description</i>	<i>Ref./Note</i>
			Pagina 2	Page 2	
1	835856900	0C0204	PIEDE	FOOT	
1A	508898900	0C0122	PIASTRA DI RINFORZO PER PIEDE	PLATE FOR FOOT	
2	85089FD01		RIVESTIMENTO LATERALE 400MM	EXTERNAL PANEL 400MM	ELX
2	85089FH01		RIVESTIMENTO LATERALE 400MM	EXTERNAL PANEL 400MM	ZAN, OEM
2	85089FF01		RIVESTIMENTO LATERALE 800MM	EXTERNAL PANEL 800MM	ELX
2	85089FJ01		RIVESTIMENTO LATERALE 800MM	EXTERNAL PANEL 800MM	ZAN, OEM
4	516862900	0C0640	SUPPORTO CESTELLO	SUPPORT BASKET	
8	85589BH00	0C7751	RIPIANO / VASCA 400mm	WORKTOP / TANK 400mm	ELX
8	85589BP00	0C7757	RIPIANO / VASCA 400mm	WORKTOP / TANK 400mm	ZAN, OEM
8	87089L500	0C7776	RIPIANO / VASCA 800mm	WORKTOP / TANK 800mm	ELX
8	87089L600	0C7777	RIPIANO / VASCA 800mm	WORKTOP / TANK 800mm	ZAN, OEM
8	50389X900		RIPIANO / VASCA 800mm	WORKTOP / TANK 800mm	HAKVOORT
9	527850500	0C0156	PIASTRA FISSAGGIO FIANCHI	SIDE PANEL JOINTING PLATE	
10	835841201	0A5439	VALVOLA SCARICO 1'	DRAIN VALVE 1'	
11	511824800	*	CONNESSIONE	CONNECTION	
12	873884900		PROLUNGA PER SCARICO	DRAIN EXTENSION	
13	0517863700	0C0637	MANICOTTO	COUPLING	
14	85589AG00	0C7801	CRUSCOTTO 400mm	CONTROL PANEL 400mm	ELX
14	87089HX00	0C7514	CRUSCOTTO 400mm	CONTROL PANEL 400mm	ZAN
14	50389N500		CRUSCOTTO 400mm	CONTROL PANEL 400mm	OEM
14	85589AH00	0C7739	CRUSCOTTO 800mm	CONTROL PANEL 800mm	ELX
14	87089HZ00	0C7515	CRUSCOTTO 800mm	CONTROL PANEL 800mm	ZAN, HAKVOORT
14	50389N600		CRUSCOTTO 800mm	CONTROL PANEL 800mm	OEM
15	543821900	0L0113	GUARNIZIONE X CRUSCOTTO	GASKET, CONTROL PANEL	
16	51589A700	0C7164	MANIGLIA	HANDLE	ELX
16	54887A800	0C8190	MANIGLIA	HANDLE	ZAN
16	854864203	0A5021	MANIGLIA	HANDLE	OEM
17	516860801	0C0138	CERNIERA	HINGE, DOOR	
18	516860901	0C0139	CERNIERA	HINGE, DOOR	
19	50389G300	0C7157	PORTA	DOOR	ELX, ZAN
19	50389MB01		PORTA	DOOR	OEM
20					
21	830898200	0C0201	MAGNETE PER PORTA	MAGNET, DOOR	
22	830822500	005932	GRIGLIA DI FONDO	GRATE FOR BOTTOM	
23	502898403	005922	BACINELLA PER OLIO	BASIN FOR BASIN	
24	219293205	0C0477	COPIGLIA	COTTER	
25	516843003	005923	MANIGLIA BACINELLA	HANDLE, BASIN	
26	522893501	0C2697	COPERCHIO	LID	
27	511819000	0C0614	MANIGLIA COPERCHIO	HANDLE, LID	
29	830822601	005933	CESTELLO	BASKET	
30	50389LP00	0C7333	GRIGLIA CAMINO	GRID, CHIMNEY	
31	541813800	0C6171	GUARNIZIONE IN SILICONE	SILICONE GASKET	
32	548877501	0C7802	GHIERA	RING, KNOB	ELX
32	548879800	0C7484	GHIERA	RING, KNOB	ZAN, OEM
33	218912211	069567	MOLLA PER GHIERA	SPRING, RING KNOB	
34	511850D02	0C7330	MANOPOLA TERMOSTATO	KNOB, THERMOSTAT	ELX
34	548877Z01	0C7179	MANOPOLA TERMOSTATO	KNOB, THERMOSTAT	ZAN
34	548872700	0C5252	MANOPOLA TERMOSTATO	KNOB, THERMOSTAT	OEM
34	548876U00	0C6745	MANOPOLA TERMOSTATO	KNOB, THERMOSTAT	KIP, H,I
35	548863301	0C2021	MANOPOLA ACCENDITORE	KNOB, IGNITER	ELX
35	548878301	0C7181	MANOPOLA ACCENDITORE	KNOB, IGNITER	ZAN
35	548856601	0C0190	MANOPOLA ACCENDITORE	KNOB, IGNITER	OEM
37	516860702	0C0137	PIASTRA GIUNZIONE APPARECC.	JOINTING REAR PLATE	

**FRIGGITRICI GAS 15L E700 XP
GAS FRYERS 15L E700 XP**

<i>Pos</i>	<i>Factory Code</i>	<i>Spare Part Code</i>	<i>Descrizione</i>	<i>Description</i>	<i>Ref./Note</i>
51	646816500	0C4279	LIMITATORE DI TEMPERATURA	SAFETY THERMOSTAT	
52	527871901	0C4749	SUPPORTO BULBO LIMITATORE	SUPPORT SAFETY THERMOSTAT	
52a	569806300	0C4748	ISOLANTE LIMITATORE	INSULATION SAFETY THERMOSTAT	
53	514862501	051950	RACCORDO 3/8"	3/8" PIPE FITTING	
54	215170716	050682	OGIVA	RING	
55	516865800	0C0625	TAPPO PER VALVOLA	STOPPER, VALVE	
56	835859703	0C5248	VALVOLA GAS	GAS VALVE	
57	515863200	0C0631	RACCORDO A "L"	L PIPE FITTING	
58	831818901	0C3162	TERMOCOPPIA; INTERROTTA	THERMOCOUPLE; INTERRUPTED	
59	830822201	005929	BRUCIATORE	BURNER	
60	830828001	054039	AERATORE	AERATOR	
63	214105101	020997	CONTRODADO	LOCK NUT	
64	517897103	0C2948	CONDUTTURA PILOTA CONDUTTURA VALVOLA-	PIPE, PILOT	
65	870854100	0C5182	BRUCIATORE	PIPE VALVE-BURNER	
66	506833401	054029	GUARNIZIONE UGELLO	GASKET	
67	87089MZ00		ENTRATA GAS FRIGG.15L	GAS INLET 400 mm	
67	87089MY00		ENTRATA GAS FRIGG.15+15L	GAS INLET 800 mm	
69	831819401	0C4365	SUPPORTO PILOTA	SUPPORT, PILOT	
70	569807J00	0C7141	ELETTRODO; ACCENSIONE	ELECTRODE	
71	830819201	0A5441	CANNELLO PILOTA	BLOW PIPE	
72	206993500	052256	STAFFA	BRACKET	
73	206649700	052246	STAFFA	BRACKET	
74	835854800	006725	PILOTA	PILOT BURNER	
75	214164101	057960	RACCORDO ELETTRODO	PIPE FITTING, ELECTRODE	
80	514874500	059295	RACCORDO	PIPE FITTING	
81	543815000	059293	GUARNIZIONE	GASKET	
91	533820702	*	CAMERA DI COMBUSTIONE	COMBUSTION CHAMBER	
92	533820202	*	PARETE ANT. CAM. COMB.	FRONT PANEL	
93	533819902	*	PARETE POST. CAM. COMB.	REAR PANEL	
94	533820501	*	CONVOGLIATORE FUMI	CONVEJOR	
96	533820300	*	PARETE ANT. CAMINO	FRONT CHIMNEY	
97	533820401	*	PARETE POST. CAMINO	REAR CHIMNEY	
98	511805401	059250	PORTAUGELLO 90°	INJECTOR HOLDER	
99	514829301	0A2125	DADO PER TUBO	NUT FOR PIPE	
100	215073101	060325	BICONO	DOUBLE CONE	