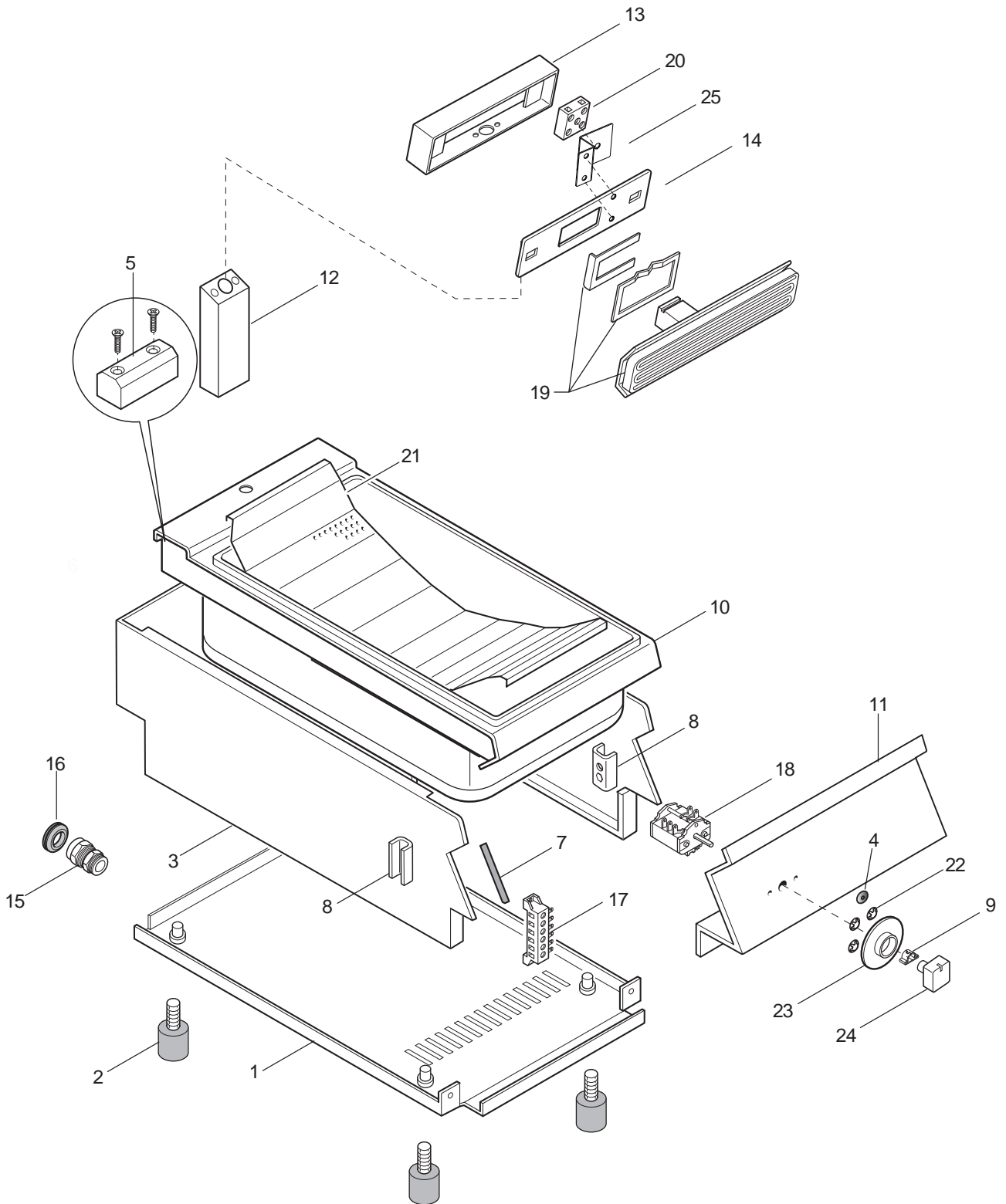

PNC	Model	Ref	Pag.	Brand	Version	Notes
371086	E7CSEDC000	a	2	ELX	EL	ELECTRIC CHIP SCUTTLE 400 MM
372086	Z7CSEDC000	b	2	ZAN	EL	ELECTRIC CHIP SCUTTLE 400 MM
373086	A7CSEDC000	c	2	OEM	EL	ELECTRIC CHIP SCUTTLE 400 MM

Pag	Index	Indice	Note
2	General components	Componenti struttura	
3	Spare parts list	Lista ricambi	

Brand/Marchio: All
Factory code: 9PDX



**SCALDAPATATE ELETTRICO E700XP
ELECTRIC TOP CHIP SCUTTLE E700XP**

<i>Pos</i>	<i>Factory Code</i>	<i>Spare part Code</i>	<i>Descrizione</i>	<i>Description</i>	<i>Ref./Note</i>
1	5038A1U00	*	FONDO	BOTTOM PANEL	
2	315252601	026806	PIEDINO CON VITE	SCREW FOOT FOR TOP	
3	85089F700		RIVESTIMENTO LATERALE	EXTERNAL PANEL	ELX
3	85089FA00		RIVESTIMENTO LATERALE	EXTERNAL PANEL	ZAN, OEM
4	541813800		RONDELLA SILIONE	SILICONE WASHER	
5	516860702	0C0137	PIASTRINA PER GIUNZIONE	JOINTING REAR PLATE	
7	543821900	0C2496	GUARNIZIONE PER CRUSCOTTO	GASKET, CONTROL PANEL	
8	527850500	0C0156	PIASTRA FISSAGGIO FIANCHI	SIDE PANEL JOINTING PLATE	
9	214590701	025245	MOLLETTA PER MANOPOLA	SPRING, KNOB	
10	87589A900	0C7849	RIPIANO VASCA	TOP CHIP SCUTTLE	ELX
10	87589AY00	0C7852	RIPIANO VASCA	TOP CHIP SCUTTLE	ZAN, OEM
11	85589B100	0C7591	CRUSCOTTO 400 mm	CONTROL PANEL 400 mm	ELX
11	85589CJ00	0C7595	CRUSCOTTO 400 mm	CONTROL PANEL 400 mm	ZAN
11	50389RN00	*	CRUSCOTTO 400 mm	CONTROL PANEL 400 mm	OEM
12	806807000	0C0556	SUPPORTO SCATOLA RESISTENZA	SUPPORT BOX HEATING ELEMENT	
13	52287800	0C5289	SCATOLA RESISTENZA	BOX HEATING ELEMENT	
14	533837402	0C5290	SUPPORTO RESISTENZA	SUPPORT FOR HEATING ELEMENT	
15	544802300	0C0068	PASSAFILO DIA.22	GROMMET DIA.22	
16	544802300	0C0068	PRESSACAVO	TOGHTENER CORD	
17	639804900	046357	MORSETTIERA	MAIN TERMINAL BLOCK	
18	A05443500	0A2241	COMMUTATORE	SWITCH	
19	617814600	0A2843	RESISTENZA INFRAROSSO 1000 W	INFRARED HEATING ELEMENT 1kW	PDX2018-04
20	639803201	053805	MORSETTIERA 2 POLI	2 POLES TERMINAL BLOCK	PDX2018-04
21	529879400	0C0554	FALSO FONDO FORATO	FALSE BOTTOM	
22	218912211	069567	MOLLETTA PER GHIERA	SPRING, KNOB RING	
23	548877H00	0C7424	GHIERA PER MANOPOLA	KNOB RING FOR SWITCH	ELX
23	548879R00	0C7572	GHIERA PER MANOPOLA	KNOB RING FOR SWITCH	ZAN, OEM
24	511850G01	0C6670	MANOPOLA COMMUTATORE	KNOB, SWITCH	ELX
*	548877V00	0C7345	ADATTATORE MANOPOLA	KNOB ADAPTER	ELX
24	548878201	0C7232	MANOPOLA COMMUTATORE	KNOB, SWITCH	ZAN
24	548865500	0A5621	MANOPOLA COMMUTATORE	KNOB, SWITCH	OEM
25	525894401	0C9766	PIASTRA FISSAGGIO MORSETTIERA	FIXING PLATE TERMINAL BLOCK	From wk 50 2013 / PDX2018-04