

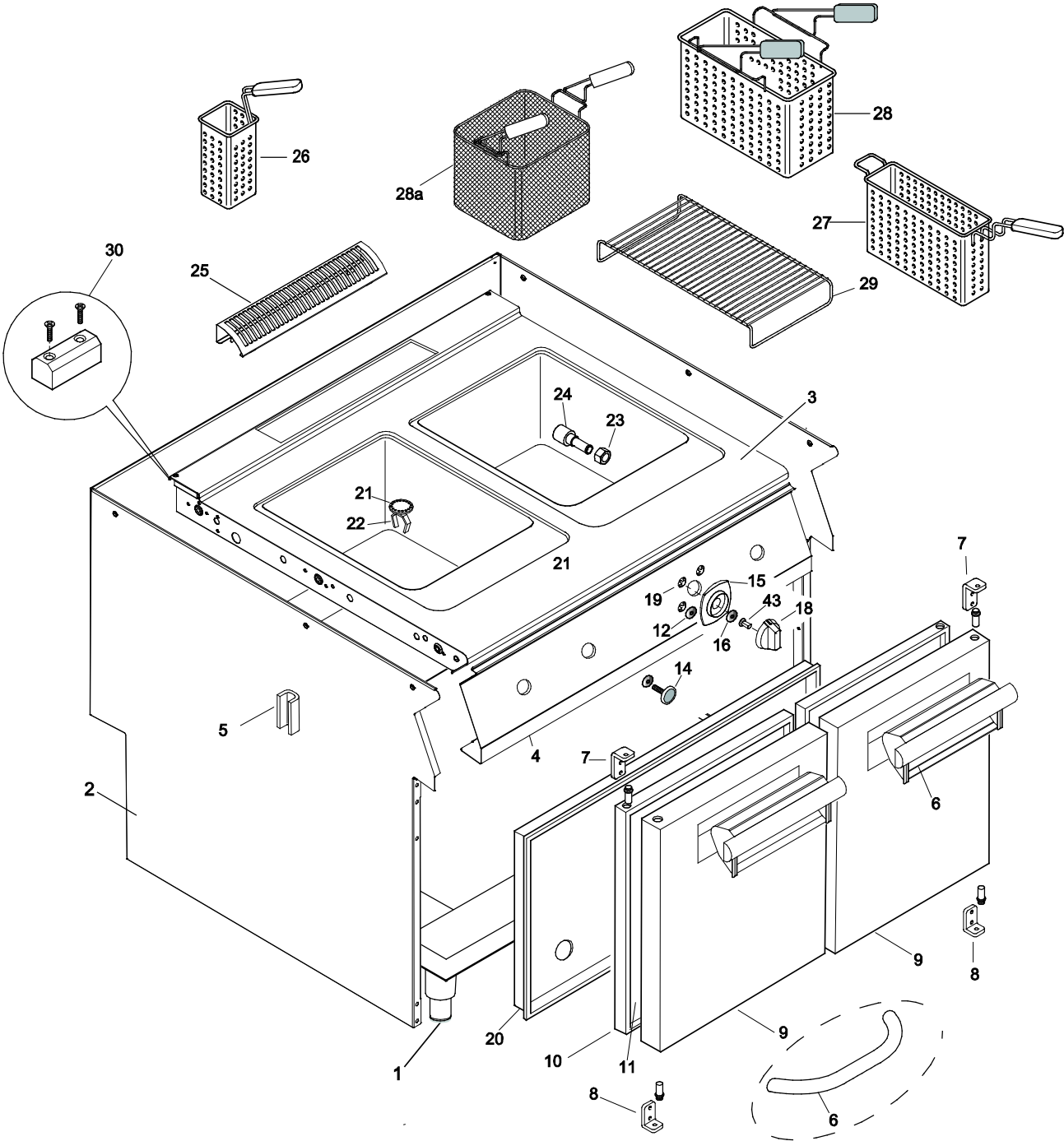
**FROM SERIAL 3 38 / DA MATRICOLA 3 38**

PNC	Model	Ref	Brand	Version	Notes	
371090	E7PCGD1KF0	a	ELX	GAS	1X40 LT WELL	400MM
371091	E7PCGH2KF0	b	ELX	GAS	2X40 LT WELLS	800MM
371098	E7PCED1KF0	c	ELX	EL	1X40 LT WELL	400MM
371099	E7PCEH2KF0	d	ELX	EL	2X40 LT WELLS	800MM
372090	Z7PCGD1KF0	e	ZAN	GAS	1X40 LT WELL	400MM
372091	Z7PCGH2KF0	f	ZAN	GAS	2X40 LT WELLS	800MM
372098	Z7PCED1KF0	g	ZAN	EL	1X40 LT WELL	400MM
372099	Z7PCEH2KF0	h	ZAN	EL	2X40 LT WELLS	800MM
373090	A7PCGD1KF0	i	OEM	GAS	1X40 LT WELL	400MM
373091	A7PCGH2KF0	l	OEM	GAS	2X40 LT WELLS	800MM
373098	A7PCED1KF0	m	OEM	EL	1X40 LT WELL	400MM
373099	A7PCEH2KF0	n	OEM	EL	2X40 LT WELLS	800MM
373232	A7PCGD1KFK	o	KIP	GAS	1X40 LT WELL	400MM
373233	A7PCGH2KFK	p	KIP	GAS	2X40 LT WELLS	800MM
373234	A7PCED1KFK	q	KIP	EL	1X40 LT WELL	400MM

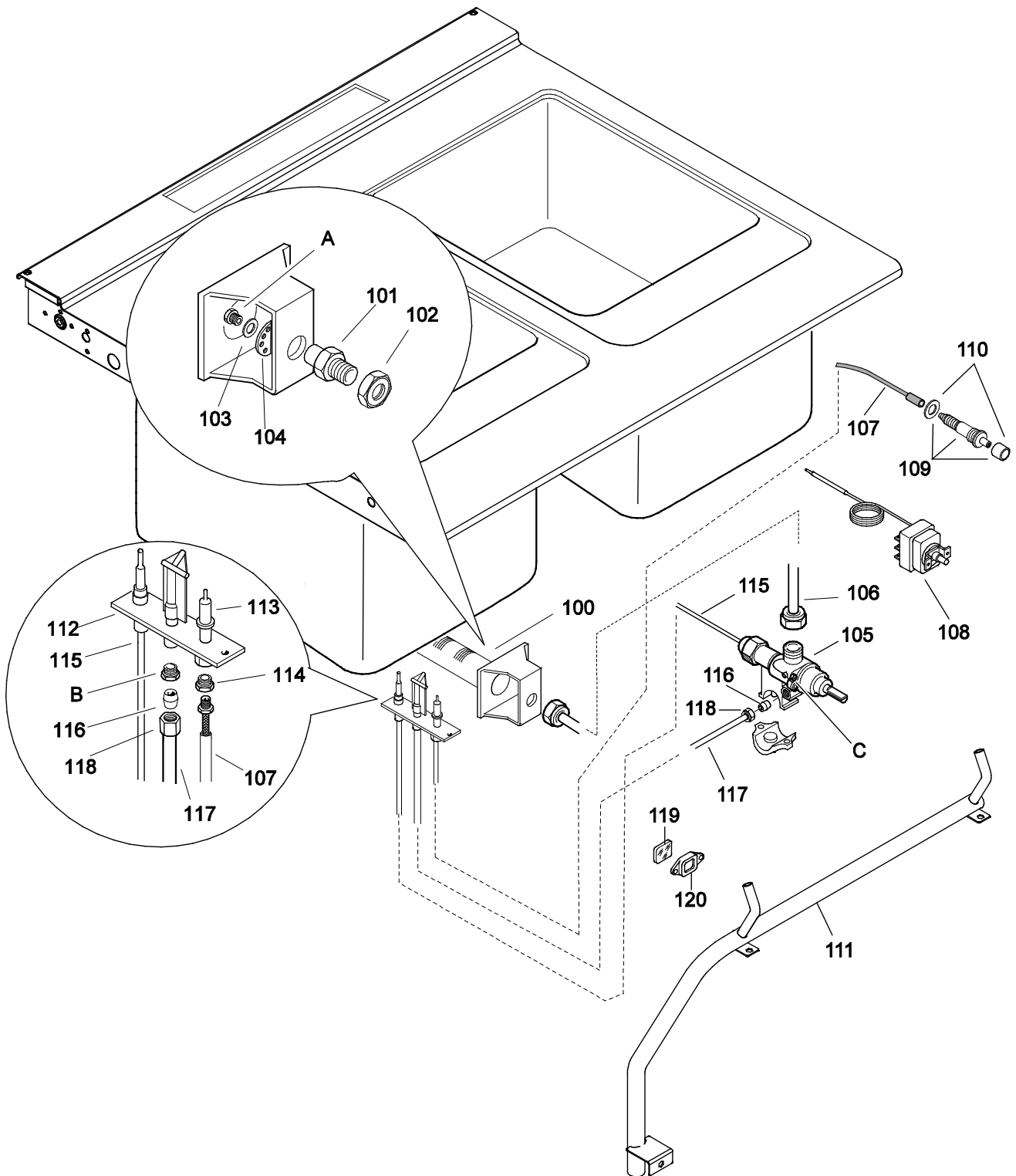
Pag	Index	Indice	Note
2	General view	Vista Generale	
3	Idraulic circuit (water)	Componenti imp.idraulico (acqua)	
4	Gas components	Componenti Gas	
5	Electric components	Componenti elettrici	
6	Ugelli	Nozzels	
7,8,9	Spare parts list	Lista ricambi	

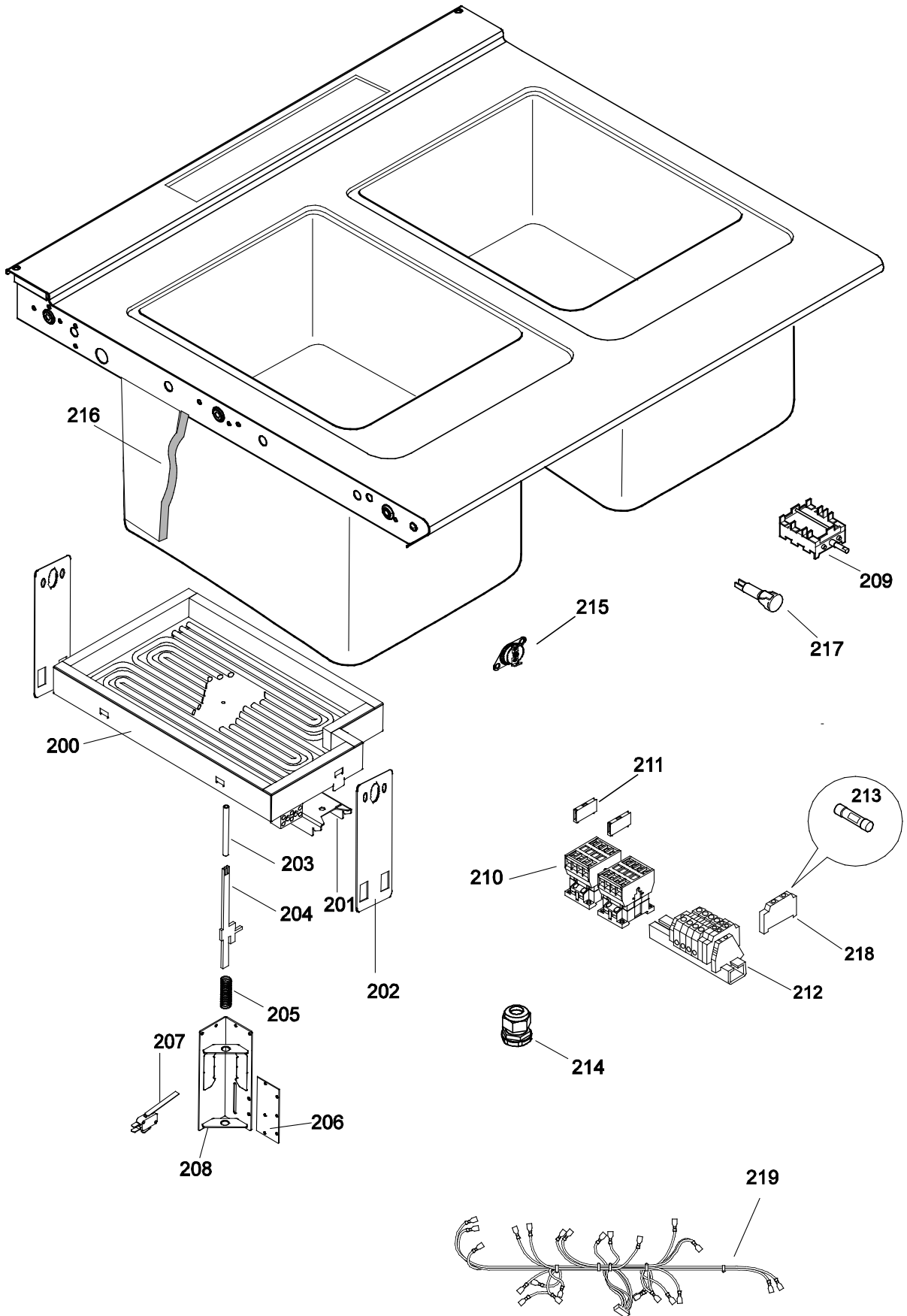
Brand/Marchio: All ; **FROM SERIAL 3 38 / DA MATRICOLA 3 38**

General view / Vista generale









Actual wire harness may be different from illustration.

**Gas nozzles / Ugelli per gas**

<b>A - Ugello bruciatore / Burner nozzle</b>				
<b>Code</b>	<b>Spare Code</b>	<b>Reference</b>		
-	002267	ø2.45	2H/2E+	G20 20mbar
-	002865	ø2.30	2H	G20 25mbar
-	003371	ø2.75	2ELL	G25 20mbar
-	002268	ø2.60	2L	G25 25mbar
-	002268	ø2.60	2S	G25.1 25mbar
-	002905	ø1.60	3+3B/P	G30 30mbar
-	003722	ø1.55	3B/P	G30 36mbar
-	004488	ø1.40	3B/P	G30 50mbar
-	0C0551	ø2.85	No CE	G20 10mbar
	0C3079	Ø6.25	No CE	G110 8mbar

<b>B - Ugello Pilota / Burner nozzle</b>				
<b>Code</b>	<b>Spare Code</b>	<b>Reference</b>		
-	054037	n°25	2H/2E+	G20 20mbar
-	054037	n°25	2H	G20 25mbar
-	054037	n°25	2ELL	G25 20mbar
-	054037	n°25	2L	G25 25mbar
-	054037	n°25	2S	G25.1 25mbar
-	054286	n°24	3+3B/P	G30 30mbar
-	054286	n°24	3B/P	G30 36mbar
-	054286	n°24	3B/P	G30 50mbar
-	054037	n°25	No CE	G20 10mbar
	054038		No CE	G110 8mbar

<b>C - Vite Minimo / Min Screw</b>				
<b>Code</b>	<b>Spare Code</b>	<b>Reference</b>		
-	003182	140	2H/2E+	G20 20mbar
-	003182	140	2H	G20 25mbar
-	003182	140	2ELL	G25 20mbar
-	003182	140	2L	G25 25mbar
-	003182	140	2S	G25.1 25mbar
-	002770	85	3+3B/P	G30 30mbar
-	002770	85	3B/P	G30 36mbar
-	002769	75	3B/P	G30 50mbar
-	003182	140	No CE	G20 10mbar

**COUOCI PASTA E700 XP  
PASTA COOKER E700 XP**

<i>Pos</i>	<i>Factory Code</i>	<i>Spare Part Code</i>	<i>Descrizione</i>	<i>Description</i>	<i>Ref./Note</i>
1	835856900	0C0204	PIEDE	FOOT	
2	85089FD01	*	ASSIEME FASCIA 400	SIDE PANEL 400	a,c
2	85089FF01	*	ASSIEME FASCIA 800	SIDE PANEL 800	b,d
2	85089FH01	*	ASSIEME FASCIA 400	SIDE PANEL 400	e,g,i,m, O,Q
2	85089FJ01	*	ASSIEME FASCIA 800	SIDE PANEL 800	f, h, l, n,P
3	<b>87089BK01</b>	<b>0C7218</b>	<b>RIPIANO / VASCA 400 MM</b>	<b>WORKTOP / TANK 400mm</b>	<b>a</b>
3	<b>87089BL01</b>	*	<b>RIPIANO / VASCA 800 MM</b>	<b>WORKTOP / TANK 800mm</b>	<b>b</b>
3	<b>87089BM01</b>	<b>0C7628</b>	<b>RIPIANO / VASCA 400 MM</b>	<b>WORKTOP / TANK 400mm</b>	<b>c</b>
3	<b>87089BN01</b>	<b>0C7629</b>	<b>RIPIANO / VASCA 800 MM</b>	<b>WORKTOP / TANK 800mm</b>	<b>d</b>
3	<b>87089MC01</b>	<b>0C7632</b>	<b>RIPIANO / VASCA 400 MM</b>	<b>WORKTOP / TANK 400mm</b>	<b>e, i, o</b>
3	<b>87089MD01</b>	<b>0C7633</b>	<b>RIPIANO / VASCA 800 MM</b>	<b>WORKTOP / TANK 800mm</b>	<b>f, l, p</b>
3	<b>87089BR00</b>	*	<b>RIPIANO / VASCA 400 MM</b>	<b>WORKTOP / TANK 400mm</b>	<b>g, m, q</b>
3	<b>87089BS00</b>	*	<b>RIPIANO / VASCA 800 MM</b>	<b>WORKTOP / TANK 800mm</b>	<b>h, n</b>
4	85089BF00	0C7620	CRUSCOTTO 400mm	CONTROL PANEL 400mm	c
4	85089AF00	0C7136	CRUSCOTTO 800mm	CONTROL PANEL 800mm	d
4	85089AB00	0C7135	CRUSCOTTO 400mm	CONTROL PANEL 400mm	a
4	85089BD00	0C7138	CRUSCOTTO 800mm	CONTROL PANEL 800mm	b
4	85089FN00	0C7389	CRUSCOTTO 400mm	CONTROL PANEL 400mm	g
4	85089FP00	0C7390	CRUSCOTTO 800mm	CONTROL PANEL 800mm	h
4	87089GY00	0C7222	CRUSCOTTO 400mm	CONTROL PANEL 400mm	e
4	85089FM00	0C7388	CRUSCOTTO 800mm	CONTROL PANEL 800mm	f
4	502899K00	0C8024	CRUSCOTTO 400mm	CONTROL PANEL 400mm	i,O
4	502899Y00	0C8025	CRUSCOTTO 800mm	CONTROL PANEL 800mm	l,P
4	502899Z00	0C8026	CRUSCOTTO 400mm	CONTROL PANEL 400mm	m,Q
4	502899N00	0C8027	CRUSCOTTO 800mm	CONTROL PANEL 800mm	n
5	527850500	0C0156	PIASTRA FISSAGGIO FIANCHI	SIDE PANEL JOINTING PLATE	
6	51589A700	0C7164	MANIGLIA	HANDLE	a,b,c,d
6	54887A800	0C8190	MANIGLIA	HANDLE	e,f,g,h
6	854864203	0A5021	MANIGLIA	HANDLE	i,l,m,n,O,P,Q
7	516860901	0C0139	CERNIERA SUP.	UPPER. HINGE, DOOR	
8	516860801	0C0138	CERNIERA INF.	BOTTOM HINGE, DOOR	
9	50389G300	0C7156	PORTA (SENZA MANIGLIA)	DOOR (WITHOUT HANDLE)	a,b,c,d, e,f,g,h
9	50389MB01	*	PORTA (SENZA MANIGLIA)	DOOR (WITHOUT HANDLE)	i,l,m,n, O,P,Q
10	50489CQ00	0C7158	CONTROPORTA	INNER DOOR OVEN	
11	565819900	0C4433	DISTANZIALE PORTA	DOOR SPACER	
*	85089AA02	0C7156	ASSIEME PORTA (SENZA MANIGLIA)	COMPLETE DOOR (NO HANLE)	a,b,c,d, e,f,g,h
12	541813800	0C6171	RONDELLA IN SILICONE	SILICONE WASHER	
14	830898200	0C0201	MAGNETE	MAGNET, DOOR	
15	548877Y00	0C7134	GHIERA COMMUTATORE ELETTRICO	RING, KNOB SWITCH ELECTRIC	Electric, ELX
15	548876G01	0C6802	GHIERA RUBINETTO ACQUA	RING, KNOB WATER REGULATION	Water ELX
15	548877X00	0C7178	GHIERA RUBINETTO GAS	RING, KNOB GAS REGULATION	Gas, ELX
15	54887A400	0C7386	GHIERA COMMUTATORE ELETTRICO	RING, KNOB SWITCH ELECTRIC	Electric,ZAN, OEM, KIP
15	54887A300	0C7938	GHIERA RUBINETTO GAS	RING, KNOB GAS REGULATION	GAS,ZAN, OEM,KIP
15	548879H00	0C7385	GHIERA RUBINETTO ACQUA	RING, KNOB WATER REGULATION	Water,ZAN, OEM, KIP
16	543821000	053816	GUARNIZIONE X MANOPOLA	GASKET, KNOB	
17	*	*	PIASTRINA SCARICO	DRAIN PLATELET INDICATOR	
18	54887AW00	0C8646	MANOPOLA GAS ED ACQUA	KNOB GAS AND WATER TAP	a,b,c,d,
18	548878001	0C7180	MANOPOLA RUBINETTO ACQUA	KNOB WATER TAP	e,f,g,h
18	548878201	0C7232	MANOPOLA GAS E COMMUTATORE	KNOB, GAS AND REGULATOR	e,f,g,h
18	548865700	0C1380	MANOPOLA RUBINETTO ACQUA	KNOB WATER TAP	i,l,m,n
18	548865500	0A5621	MANOPOLA GAS E COMMUTATORE	KNOB, GAS AND REGULATOR	i,l,m,n
18	548876V00	0C8295	MANOPOLA	KNOB	O,P,Q
18	548876X00	0C6747	MANOPOLA GAS E COMMUTATORE	KNOB, GAS AND REGULATOR	O,P,Q
19	218912211	069567	MOLLETTA PER GHIERA	RING, RING KNOB	
20	50489CR02	0C8212	PANNELLO FRONTALE 400mm	FRONTAL PANEL 400mm	
20	50489D403		PANNELLO FRONTALE 800mm	FRONTAL PANEL 800mm	
21	506864501	004836	FILTRO FONDO	BOTTOM FILTER	
22	514848300	054905	MOLLA PER FILTRO FONDO	SPRING, FILTER	

**COUOCI PASTA E700 XP  
PASTA COOKER E700 XP**

<i>Pos</i>	<i>Factory Code</i>	<i>Spare Part Code</i>	<i>Descrizione</i>	<i>Description</i>	<i>Ref./Note</i>
23	214105101	020997	CONTRODADO GETTO	WATER TAP NUT	
24	511832001	0C5935	GETTO ACQUA	WATER TAP	
25	50389LP00	0C7333	GRIGLIA CAMINO	CHIMNEY GRID	
26	F921618	0C9225	KIT CESTELLO 105X160	KIT BASKET 105X160	KIT OF 2 LEFT + 2 RIGHT BASKET
26*	*	0C9226	KIT CESTELLO 105X160	KIT BASKET 105X160	2 RIGHT BASKET
26*	*	0C9227	KIT CESTELLO 105X160	KIT BASKET 105X160	2 LEFT BASKET
27	F921619	004873	CESTELLO 105X350	BASKET 105X350	
28	F921611	004874	CESTELLO 220X350	BASKET 220X350	
28a	F921610	004875	CESTELLO 220X170	BASKET 220X170	
29	F921606	004876	GRIGLIA DI FONDO	FALSE BOTTOM, PASTA COOKER	
30	*	0C9655	KIT PIASTRA GIUNZIONE	KIT JOINTING REAR PLATE	Screws and plate
36	50689DY00	0C9743	DOMA FORATURA	DRILL JIG	<b>TB PDX2013-03</b>
37	855899X00	0C6953	ASSIEME RACCORDO DI SCARICO	COMPLETE DRAIN JUNCTION	
38	544825Q00	0C9199	TUBO SCARICO	DRAIN PIPE	
39	544825P00	0C9200	TUBO TROPPO PIENO	TOO FULL PIPE	
40	543827500	0C6800	OR	OR	
41	50689DG00	0C9410	MANIGLIA SCARICO	HANDLE , WATER DISCHARGE	
42	83089JZ00	0C9633	RIBALTA ACQUA AISI	WATER PIPE STAINLESS STEEL	1x40 WELL a,c,e,g,i,m
	83089KF00	0C9740	KIT COMPLETO RIBALTA AISI	KIT WATER INLET PIPE	<b>TB PDX2013-03</b> 1x40 WELL a,c,e,g,i,m
42	83089K000	0C9634	RIBALTA ACQUA AISI	WATER PIPE STAINLESS STEEL	2x40 WELL b,d,f,h,l,n
	83089KG00	0C9741	KIT COMPLETO RIBALTA AISI	KIT WATER INLET PIPE	<b>TB PDX2013-03</b> 2x40 WELL b,d,f,h,l,n
43	548877V00	0C7345	ADATTATORE MANOPOLA	KNOB, ADAPTER	a,b,c,d
44	516875100	0C8993	DADO FISSAGGIO	FIXING NUT	
45	835877Z00	0C9635	RUBINETTO+PROLUNGA , CARICO	WATER TAP + EXTENSION, INLET	
46	518613100	049888	FASCETTA GETTO ACQUA	CLAMP BAND WATER NOZZLE	
46a	518825C00	0C9201	FASCETTA SCARICO ACQUA	CLAMP BAND DISCHARGE WATER	
46b	518613300	0L2728	FASCETTA TROPPOPIENO	CLAMP BAND OVERFLOW WATER	
47	511851900	0C9205	MANICOTTO	EXTENSION	
48	511851800	0C9204	NIPPLO 1" 7/1	GAS CONNECTION 1" 7/1	
49	518803100	0C7118	INSERTO FILETTATO M5	THREADED BUSH M5	FIXING OF POS.42
100	83089D301	0C6795	BRUCIATORE	BURNER	
101	514829700	054118	PORTAUGELLO	INJECTOR HOLDER	
102	214105101	020997	CONTRODADO	LOCK NUT	
103	506833401	054029	GUARNIZIONE	GASKET	
104	830828001	054039	AERATORE	AERATOR	
105	835875R01	0C8647	RUBINETTO GAS	GAS TAP	
106	80589AN00	0C8029	CONDOTTA GAS	GAS PIPE	
107	80589BY00	0C9198	CAVETTO ACCENSIONE CON GUAINA	SPARK PLUG CABLE (sheathed)	700MM - LONG
108	646809901	005295	TERMOSTATO SIC. LIMITATORE	SAFETY THERMOSTAT	
109	835834901	0C9240	KIT ACCENDITORE (ACC+TAPPO+RONDELL)	KIT IGNITER (IGN+BUTTON+WASHER)	
109	835829600	059251	ACCENDITORE	IGNITER	
109	541809001	0C9407	TAPPO DI GOMMA	RUBBER TOP BUTTON	
109	516814601	0C9408	RONDELLA	WASHER	
110	*	0C9409	TAPPO DI GOMMA + RONDELLA	RUBBER TOP BUTTON + WASHER	
111	83089DD00	0C8030	RIBALTA GAS	INLET GAS PIPING	1x40 WELL a,c,e,g,i,m
111	83089DA00	0C8031	RIBALTA GAS	INLET GAS PIPING	2x40 WELL b,d,f,h,l,n
112	830828100	054032	BRUCIATORE PILOTA	PILOT BURNER	
113	330272401	052610	ELETTRODO ACCENSIONE	SPARK CANDLE	
114	214164400	052125	RACCORDO	PIPE FITTING	
115	831818901	0C3162	TERMOCOPPIA INTERROTTA	THERMOCOUPLE	
116	515827401	053665	BICONO	DOUBLE CONE	
117	51589A901	0C8032	CONDUTTURA PILOTA	PIPE, PILOT	
118	214164400	052125	RACCORDO	PIPE FITTING	

**COUOCI PASTA E700 XP  
PASTA COOKER E700 XP**

<i>Pos</i>	<i>Factory Code</i>	<i>Spare Part Code</i>	<i>Descrizione</i>	<i>Description</i>	<i>Ref./Note</i>
119	206260400	057382	VETRO SPIA	GLASS	
120	275290025	057400	CORNICE VETRO	FRAME	
200	617839900	0C7625	RESISTENZA	HEATING ELEMENT	
201	50489CU02	*	SUPPORTO RESISTENZA	HEATING E. SUPPORT	
202	538831803	*	SUPPORTO RESISTENZA FRONTALE	FRONT HEATING E. SUPPORT	
203	569807501	0C8182	BACCHETTA IN STEATITE	CERAMIC ROD	
204	511833002	0C5964	ASTA AZIONAMENTO MICRO	SLIDE BAR	
205	514828600	053819	MOLLA	SPRING	
206	246214023	045404	PIASTRINA ISOLANTE MICRO	MICRO INSULATION	
207	640800800	053671	MICRO-INTERRUTTORE	MICROSWITCH	
208	538831902	*	SICUREZZA MECCANICA	SECURITY SUPPORT	
209	641805101	0C7353	COMMUTATORE	SWITCH	
210	648807900	0C7622	CONTATTORE	CONTACTOR	
211	H58194500	*	CONTATTO AUSILIARIO	AUXILIARY CONTACT	
212	639806600	006854	MOSETTIERA (completa)	TERMINAL BOARD (assembly)	As picture 212
213	652806400	0C1884	FUSIBILE	FUSE	10a
214	544802300	0C0068	PASSACAVO	TOGHTENER CORD	
215	653800000	0C6155	PROTEZIONE TERMICA	THERMIC SECURITY	c,d,g,h,m,n,Q
216	560857403	0C9888	ISOLAMENTO	INSULATION	c,d,g,h,m,n,Q
217	876800002	005010	LAMPADA VERDE	GREEN LAMP	
218	652603200	075737	PORTAFUSIBILE	FUSE HOLDER TERMINAL	
219	638899T02	*	CABLAGGIO ELETTRICO	WIRING HARNESS	c,g,m,Q
219	638899U02	*	CABLAGGIO ELETTRICO	WIRING HARNESS	d,h,n