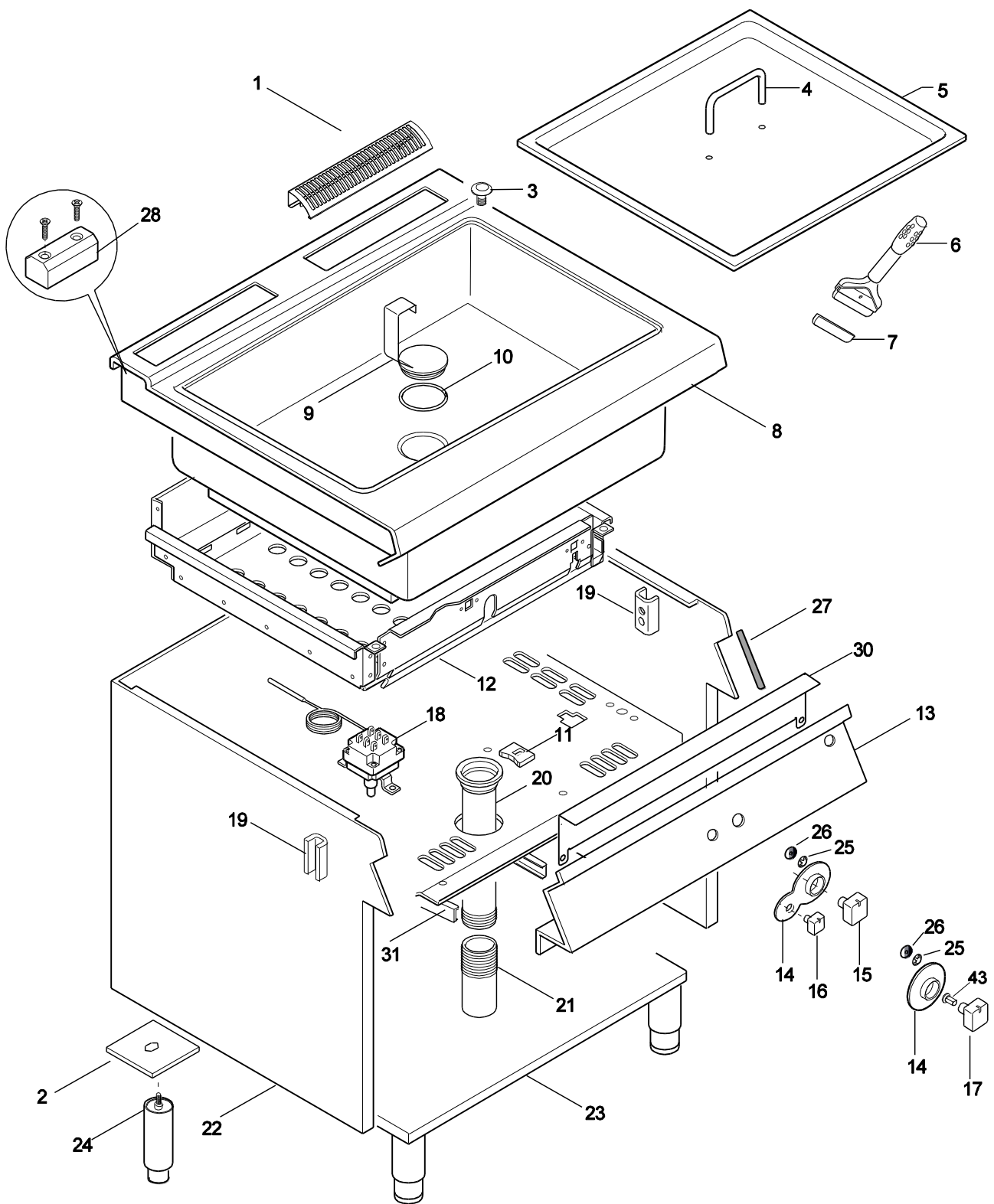


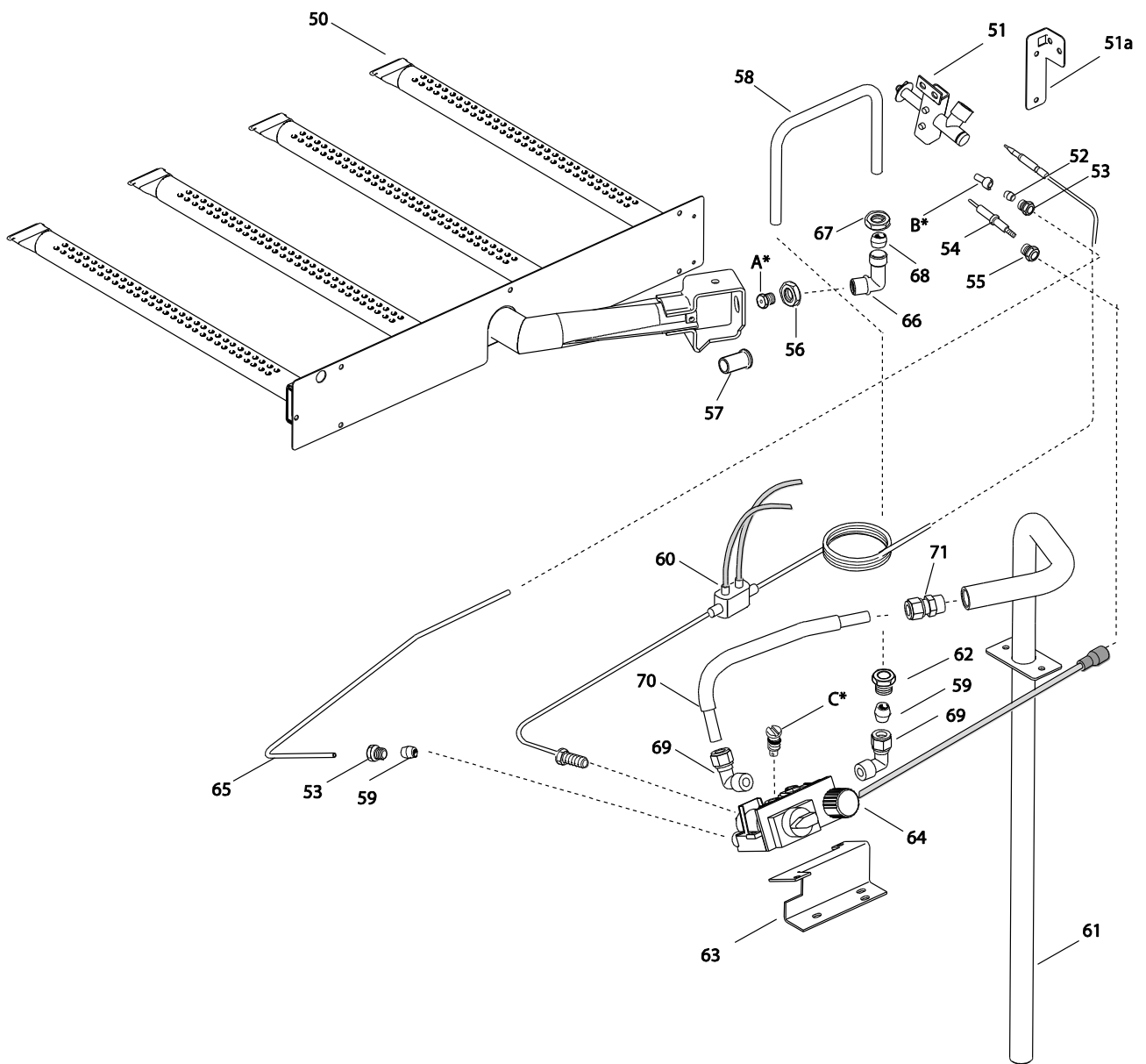
**BRASIERA GAS-ELETTRICA VASCA FISSA E700XP  
GAS-ELECTRIC BRASING-PAN FIXED TANK E700XP**

<b>PNC</b>	<b>Model</b>	<b>Ref</b>	<b>Pag.</b>	<b>Brand</b>	<b>Version</b>	<b>Notes</b>
371105	E7MFGDDDD00	a	2-5	ELX	GAS	11LT COMPOUND 400MM
371106	E7MFGHDD00	b	2-5	ELX	GAS	22LT COMPOUND 800MM
371109	E7MFEDDD00	c	2-5	ELX	EL	11LT COMPOUND 400MM
371110	E7MFEHDD00	d	2-5	ELX	EL	22LT COMPOUND 800MM
372105	Z7MFGDDDD00	e	2-5	ZAN	GAS	11LT COMPOUND 400MM
372106	Z7MFGHDD00	f	2-5	ZAN	GAS	22LT COMPOUND 800MM
372109	Z7MFEDDD00	g	2-5	ZAN	EL	11LT COMPOUND 400MM
372110	Z7MFEHDD00	h	2-5	ZAN	EL	22LT COMPOUND 800MM
373105	A7MFGDDDD00	i	2-5	OEM	GAS	11LT COMPOUND 400MM
373106	A7MFGHDD00	l	2-5	OEM	GAS	22LT COMPOUND 800MM
373109	A7MFEDDD00	m	2-5	OEM	EL	11LT COMPOUND 400MM
373110	A7MFEHDD00	n	2-5	OEM	EL	22LT COMPOUND 800MM

<b>Pag</b>	<b>Index</b>	<b>Indice</b>
2	General Components	Componenti Generali
3	Gas components	Componenti Gas
4	Nozzle list	Lista ugelli
5	Electric components	Componenti Elettrici
6,7	Spare parts list	Lista ricambi

Brand/Marchio: All  
Factory code: 9PDX





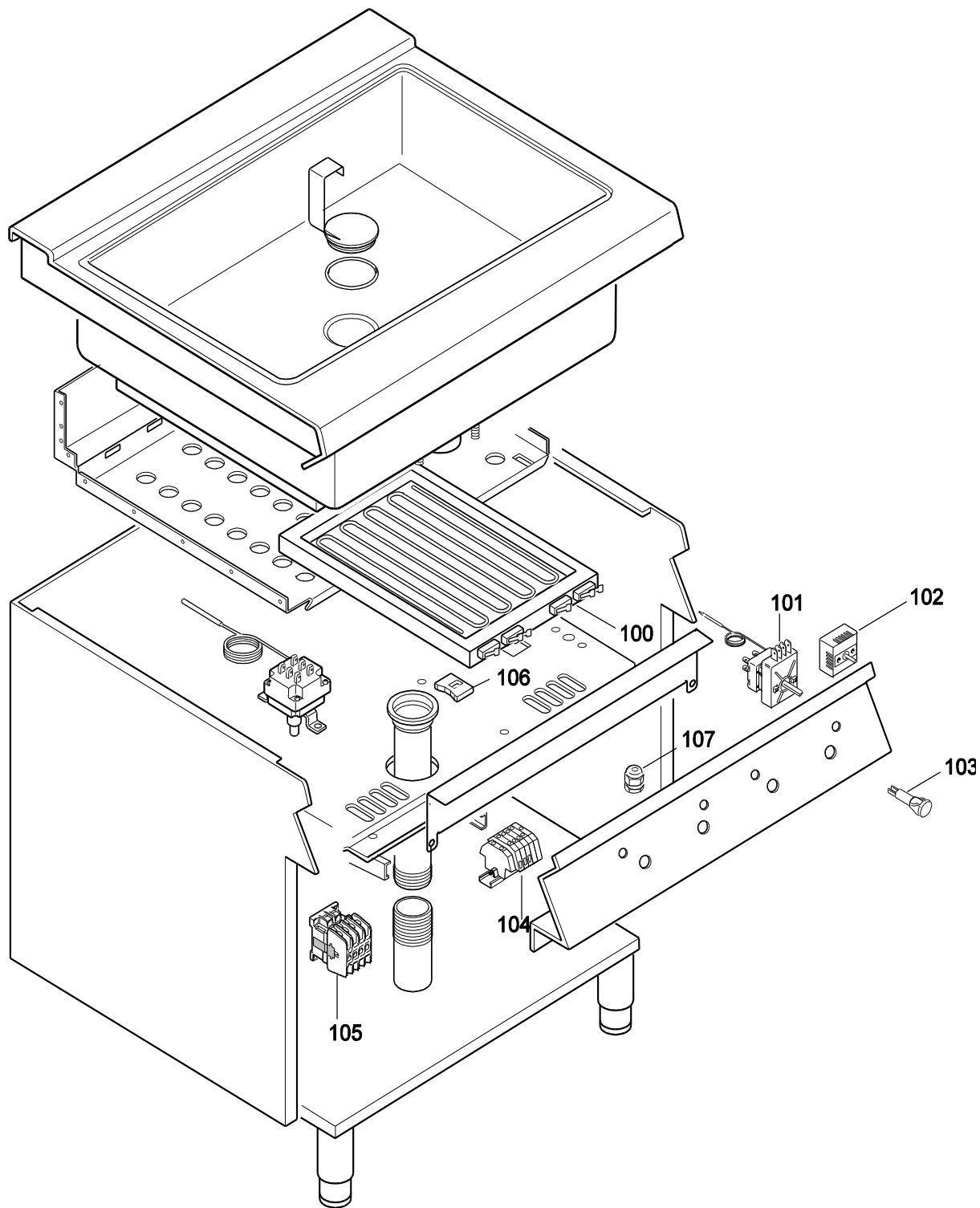
<b>A - Ugello bruciatore / Burner nozzle 800 mm</b>			
<b>6DGT Code</b>	<b>Ref. / Notes</b>		
059383	ø2.80	2H/2E+	G20 20mbar
0A2174	ø2.65	2H	G20 25mbar
059776	ø3.15	2ELL	G25 20mbar
059358	ø2.95	2L	G25 25mbar
006470	ø2.95	2S	G25.1 25mbar
058375	ø1.90	3+3B/P	G30 30mbar
056793	ø1.80	3B/P	G30 36mbar
0A2141	ø1.65	3B/P	G30 50mbar
059627	ø3.30	No CE	G20 10mbar
056794	ø7.00	No CE	G110 8mbar

<b>A - Ugello bruciatore / Burner nozzle 400 mm</b>			
<b>6DGT Code</b>	<b>Ref. / Notes</b>		
0A2301	ø1.95	2H/2E+	G20 20mbar
056793	ø1.80	2H	G20 25mbar
059418	ø2.15	2ELL	G25 20mbar
058335	ø2.05	2L	G25 25mbar
059418	ø2.05	2S	G25.1 25mbar
002393	ø1.30	3+3B/P	G30 30mbar
0A2101	ø1.25	3B/P	G30 36mbar
059314	ø1.15	3B/P	G30 50mbar
0A2475	ø2.25	No CE	G20 10mbar
002866	ø3.90	No CE	G110 8mbar

<b>C - Vite di minimo / Min screw 800 mm</b>			
<b>6DGT Code</b>	<b>Ref./ Notes</b>		
006472	n°225	2H/2E+	G20 20mbar
006472	n°225	2H	G20 25mbar
006472	n°225	2ELL	G25 20mbar
006472	n°225	2L	G25 25mbar
006472	n°225	2S	G25.1 25mbar
0C1734	n°150	3+3B/P	G30 30mbar
0C1734	n°150	3B/P	G30 36mbar
006475	n°130	3B/P	G30 50mbar
006472	n°225	No CE	G20 10mbar
-	adjust	No CE	G110 8mbar

<b>C - Vite di minimo / Min screw 400 mm</b>			
<b>6DGT Code</b>	<b>Ref./ Notes</b>		
0C1734	n°150	2H/2E+	G20 20mbar
0C1734	n°150	2H	G20 25mbar
0C1734	n°150	2ELL	G25 20mbar
0C1734	n°150	2L	G25 25mbar
0C1734	n°150	2S	G25.1 25mbar
006467	n°100	3+3B/P	G30 30mbar
006467	n°100	3B/P	G30 36mbar
006466	n°90	3B/P	G30 50mbar
0C1734	n°150	No CE	G20 10mbar
-	adjust	No CE	G110 8mbar

<b>B - Ugello pilota / Pilot nozzle</b>			
<b>6DGT Code</b>	<b>Ref./ Notes</b>		
056656	n°35	2H/2E+	G20 20mbar
056656	n°35	2H	G20 25mbar
056656	n°35	2ELL	G25 20mbar
056656	n°35	2L	G25 25mbar
056656	n°35	2S	G25.1 25mbar
058330	n°25	3+3B/P	G30 30mbar
058330	n°25	3B/P	G30 36mbar
058330	n°25	3B/P	G30 50mbar
056656	n°35	No CE	G20 10mbar
056798	n°70	No CE	G110 8mbar



**GAS BRATT-PAN FIXED TANK E700XP**  
**BRASIERA GAS VASCA FISSA E700XP**

Pos	Factory Code	Spare Code	Descrizione	Description	Ref./Note
1	50389LP00	0C7333	GRIGLIA CAMINO	GRID FOR CHIMNEY	
2	508898900	0C0122	PIASTRA DI RINFORZO	STIFFENING PLATE, FOOT	
3	548877V00	0C7345	ADATTATORE MANOPOLA	KNOB ADAPTER	ELX
4	511813800	004496	MANIGLIA COPERCHIO	HANDLE, LID	
5	F921689	*	COPERCHIO 400 mm	LID 400 mm	
5	F921690	*	COPERCHIO 800 mm	LID 800 mm	
6	805842801	055995	RASCHIETTO	SCRAPER	F164255
7	506887401	0C7017	LAMA PER RASCHIETTO	BLADE FOR SCRAPER	
7	*	006469	LAMA ARROTONDATA PER RASCHIETTO	BLADE WITH ROUND SIDES FOR SCRAPER	F921694
8	873859800	0C2648	RIPIANO VASCA 1/2 M	TANK 1/2 M	ELX - GAS
8	87589A000	0C7932	RIPIANO VASCA 1/2 M	TANK 1/2 M	ZAN, OEM - GAS
8	87589A100	0C7933	RIPIANO VASCA 1 M	TANK 1 M	ELX - GAS
8	875899Z00	0C7931	RIPIANO VASCA 1 M	TANK 1 M	ZAN, OEM - GAS
8	87589A500	0C7936	RIPIANO VASCA 1/2 M	TANK 1/2 M	ELX - EL
8	87589A600	0C7937	RIPIANO VASCA 1/2 M	TANK 1/2 M	ZAN, OEM - EL
8	87589A200	0C7934	RIPIANO VASCA 1 M	TANK 1 M	ELX - EL
8	87589A300	0C7935	RIPIANO VASCA 1 M	TANK 1 M	ZAN, OEM - EL
<b>9</b>	<b>541813D00</b>	<b>0C9001</b>	<b>TAPPO PER VASCA</b>	<b>PLUG</b>	<b>NEW CODE FROM 08-2012</b>
10	543827300	006406	ANELLO OR	OR	
11	508891101	*	PIASTRINA FISSAGGIO BRASIERA	PLATE TO FIX BRATT PAN	
12	532852600	*	CAMERA COMBUSTIONE 1/2 M	COMBUSTION CHAMBER 1/2 M	
12	50489D501	*	CAMERA COMBUSTIONE 1 M	COMBUSTION CHAMBER 1 M	
13	85089CP00	0C7658	CRUSCOTTO 1/2 M	CONTROL PANEL 1/2 M	ELX - GAS
13	85089GR00	0C7885	CRUSCOTTO 1/2 M	CONTROL PANEL 1/2 M	ZAN - GAS
13	50389RH00	0C8095	CRUSCOTTO 1/2 M	CONTROL PANEL 1/2 M	OEM - GAS
13	85089CR00	0C7816	CRUSCOTTO 1 M	CONTROL PANEL 1 M	ELX - GAS
13	85089GP00	0C7883	CRUSCOTTO 1 M	CONTROL PANEL 1 M	ZAN - GAS
13	50389RK00	0C8097	CRUSCOTTO 1 M	CONTROL PANEL 1 M	OEM - GAS
13	85089CQ00	0C7736	CRUSCOTTO 1/2 M	CONTROL PANEL 1/2 M	ELX - EL
13	85089GQ00	0C7884	CRUSCOTTO 1/2 M	CONTROL PANEL 1/2 M	ZAN - EL
13	50389RG00	0C8094	CRUSCOTTO 1/2 M	CONTROL PANEL 1/2 M	OEM - EL
13	85089CS00	0C7882	CRUSCOTTO 1 M	CONTROL PANEL 1 M	ELX - EL
13	85089GR00	0C7885	CRUSCOTTO 1 M	CONTROL PANEL 1 M	ZAN - EL
13	50389RJ00	0C8096	CRUSCOTTO 1 M	CONTROL PANEL 1 M	OEM - EL
14	548877400	0C7342	GHIERA VALVOLA GAS	KNOB RING, GAS VALVE	ELX - GAS
14	548879900	0C7429	GHIERA VALVOLA GAS	KNOB RING, GAS VALVE	ZAN, OEM - GAS
14	548877T00	0C7344	GHIERA REGOLATORE ENERGIA	KNOB RING, ENERGY REGULATOR	ELX - EL
14	54887A100	0C7533	GHIERA REGOLATORE ENERGIA	KNOB RING, ENERGY REGULATOR	ZAN, OEM - EL
14	548877P00	0C7626	GHIERA INTERRUETTORE	KNOB RING, SWITCH	ELX - EL
14	548879Z00	0C7430	GHIERA INTERRUETTORE	KNOB RING, SWITCH	ZAN, OEM - EL
15	511850D02	0C7330	MANOPOLA VALVOLA GAS	KNOB, GAS VALVE	ELX - GAS
15	548877Z01	0C7179	MANOPOLA VALVOLA GAS	KNOB, GAS VALVE	ZAN - GAS
15	548872700	0C5252	MANOPOLA VALVOLA GAS	KNOB, GAS VALVE	OEM - GAS
16	548863303	0C2021	MANOPOLA ACCENDITORE	KNOB, IGNITION	ELX - GAS
16	548878303	0C7181	MANOPOLA ACCENDITORE	KNOB, IGNITION	ZAN - GAS
16	548856603	0C0190	MANOPOLA ACCENDITORE	KNOB, IGNITION	OEM - GAS
17	511850G01	0C6670	MANOPOLA	KNOB	ELX - EL
17	548878201	0C7232	MANOPOLA	KNOB	ZAN - EL
17	548865500	0A5621	MANOPOLA	KNOB	OEM - EL
18	646808102	004269	TERMOSTATO DI SICUREZZA	SAFETY THERMOSTAT	
19	527850500	0C0156	PIASTRINA FISSAGGIO FIANCHI	SIDE PANEL JOINTING PLATE	
20	806811601	0C2831	TUBO SCARICO VASCA	PIPE, DRAIN TANK	
21	830884901	0C2832	PROLUNGA PER TUBO	PIPE EXTENSION	

From sr. Nr/ Da Ser. Nr.: 116

Page: 6 Ed. 2013 04

Doc. Nr.: **059785FL00**

**GAS BRATT-PAN FIXED TANK E700XP**  
**BRASIERA GAS VASCA FISSA E700XP**

Pos	Factory Code	Spare Code	Descrizione	Description	Ref./Note
22	85089FD00	*	RIVESTIMENTO LATERALE 400 mm	EXTERNAL PANEL 400 mm	ELX
22	85089FH00	*	RIVESTIMENTO LATERALE 400 mm	EXTERNAL PANEL 400 mm	ZAN, OEM
22	85089FF00	*	RIVESTIMENTO LATERALE 800 mm	EXTERNAL PANEL 800 mm	ELX
22	85089FJ00	*	RIVESTIMENTO LATERALE 800 mm	EXTERNAL PANEL 800 mm	ZAN, OEM
23	532824600	*	FONDO 1/2 M	BOTTOM 1/2 M	
23	532824700	*	FONDO 1 M	BOTTOM 1 M	
24	835856900	0C0204	PIEDE	FOOT	
25	0218912211	069567	MOLLETTA PER GHIERA	SPRING, KNOB RING	
26	0541813800	0C6171	RONDELLA SILICONE	SILICONE GASKET	
27	0543851900	0C2496	GUARNIZIONE	GASKET	
28	0516860702	0C0137	PIASTRA DI GIUNZIONE	JOINTING REAR PLATE	
29	0538823300	*	FONDO INTERMEDIO 1/2M	INTERMEDIATE BOTTOM 1/2M	
29	0538823500	*	FONDO INTERMEDIO 1M	INTERMEDIATE BOTTOM 1M	
30	0532853400	*	TRAVERSA 1/2M	CROSSPIECE 1/2M	
30	0532853300	*	TRAVERSA 1M	CROSSPIECE 1M	
31	0533839303	0C2716	GUIDA PER BACINELLA	RUNNER FOR BASIN	
50	0856801402	0C4416	BRUCIATORE 1/2 M	BURNER 1/2 M	
50	0856801302	0C4415	BRUCIATORE 1 M	BURNER 1 M	
51	0830894900	0C0494	BRUCIATORE PILOTA	PILOT BURNER	
51a	0527895200	*	SUPPORTO PILOTA	PILOT SUPPORT PLATE	
52	0515827401	053665	BICONO	DOUBLE CONE	
53	0214164400	052125	RACCORDO	CONNECTION	
54	0830897000	0C0488	ELETTRODO DI ACCENSIONE	ELECTRODE	
55	0214164101	057960	RACCORDO	CONNECTION	
56	0214105101	020997	CONTRODADO	LOCK NUT	
57	0515885500	058302	AREATORE	AREATOR	
58	0806861700	0C4410	CONDUTTURA VALVOLA BRUC.1/2 M	VALVE-BURNER PIPE 1/2 M	
58	0806862700	0C4411	CONDUTTURA VALVOLA BRUC.1 M	VALVE-BURNER PIPE 1 M	
59	0215199700	052127	BICONO	DOUBLE CONE	
60	0831818901	0C3162	TERMOCOPPIA INTERROTTA	INTERRUPTED TERMOCOUPLE	
61	080589AV00	0C8098	RIBALTA 1/2 M	MANIFOLD 1/2 M	
61	0806862602	0C6791	RIBALTA 1 M	MANIFOLD 1 M	
63	0530825001	*	SUPPORTO VALVOLA	VALVE SUPPORT	
64	0835851301	0C5245	VALVOLA GAS MERTIK	MERTIK GAS VALVE	
65	0517896902	0C3088	CONDUTTURA PILOTA 1/2 M	PILOT PIPE 1/2 M	
65	0517896801	0C3089	CONDUTTURA PILOTA 1 M	PILOT PIPE 1 M	
66	0511805801	059375	PORTAUGELLO	INJECTOR HOLDER	
67	0514829301	0A2125	DADO PER TUBO D10	PIPE NUT D10	
68	0215073101	060325	BICONO	DOUBLE CONE	
69	0A05173300	0A2136	RACCORDO DI ESTREMITA'	ELBOW CONNECTION	
70	0806825300	0C0704	CONDUTTURA FLESSIBILE	FLEXIBLE PIPE	
71	0A05001000	056832	RACCORDO DI ESTREMITA' DIRITTO	CONNECTION	
100	0617821403	005942	RESISTENZA 5 KW	HEATING ELEMENT 5 KW	
101	0646805801	002109	INTERRUTTORE TERMOSTATATO	SWITCH	
102	0699802200	0C1605	REGOLATORE DI ENERGIA	ENERGY REGULATOR	
103	0876800002	005010	LAMPADA SPIA VERDE	GREEN LAMP	
103	0876800102	005011	LAMPADA SPIA ARANCIO	ORANGE LAMP	
104	0A05714000	058613	MORSETTIERA	MAIN TERMINAL BOARD	
105	0648807400	006879	CONTATTORE	CONTACTOR	
106	0508891101	*	PIASTRINA FISSAGGIO BRASIERA	PLATE TO FIX BRATT PAN	
107	0544802300	0C0068	PRESSACAVO	TIGHTENER CORD	