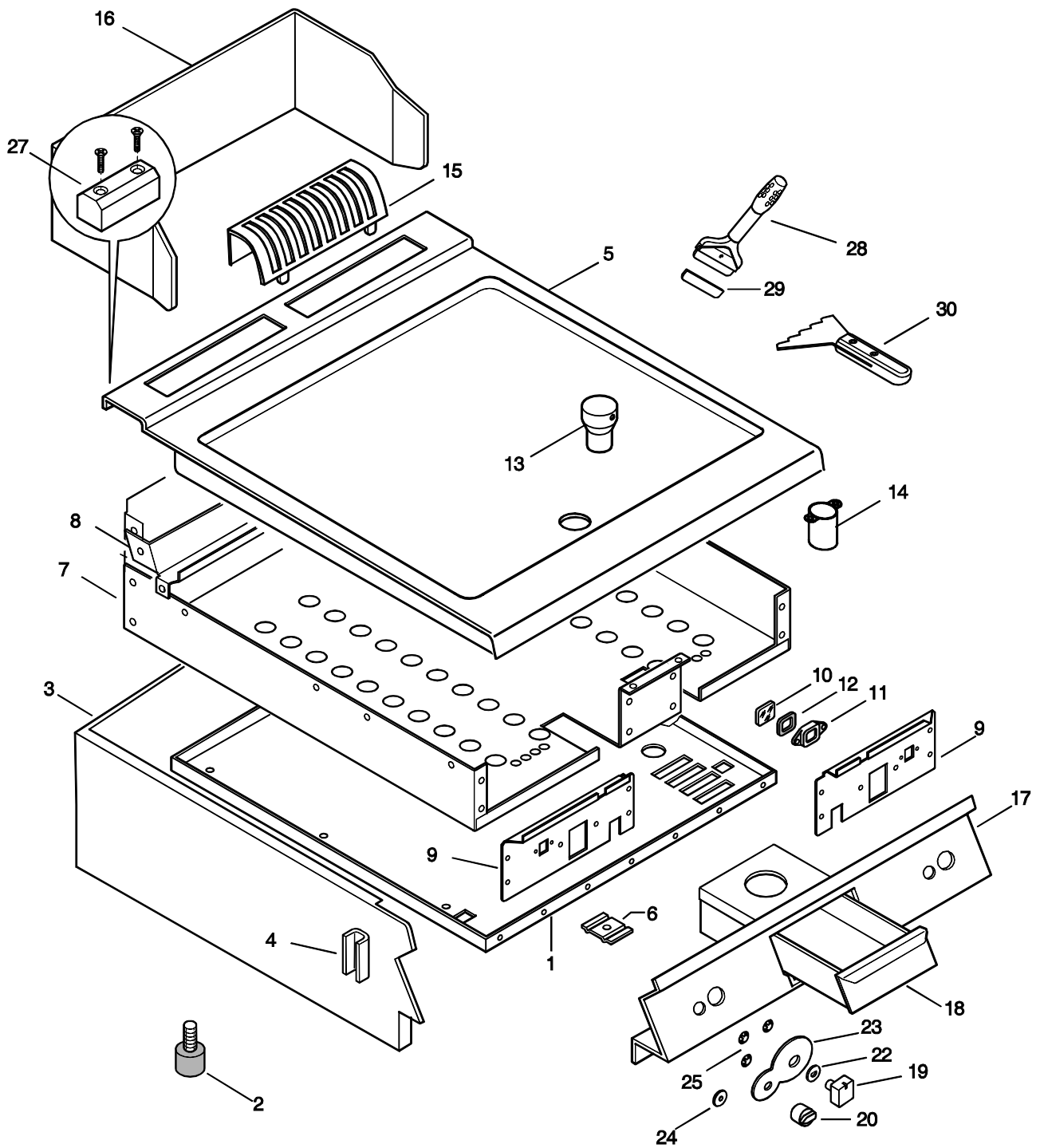
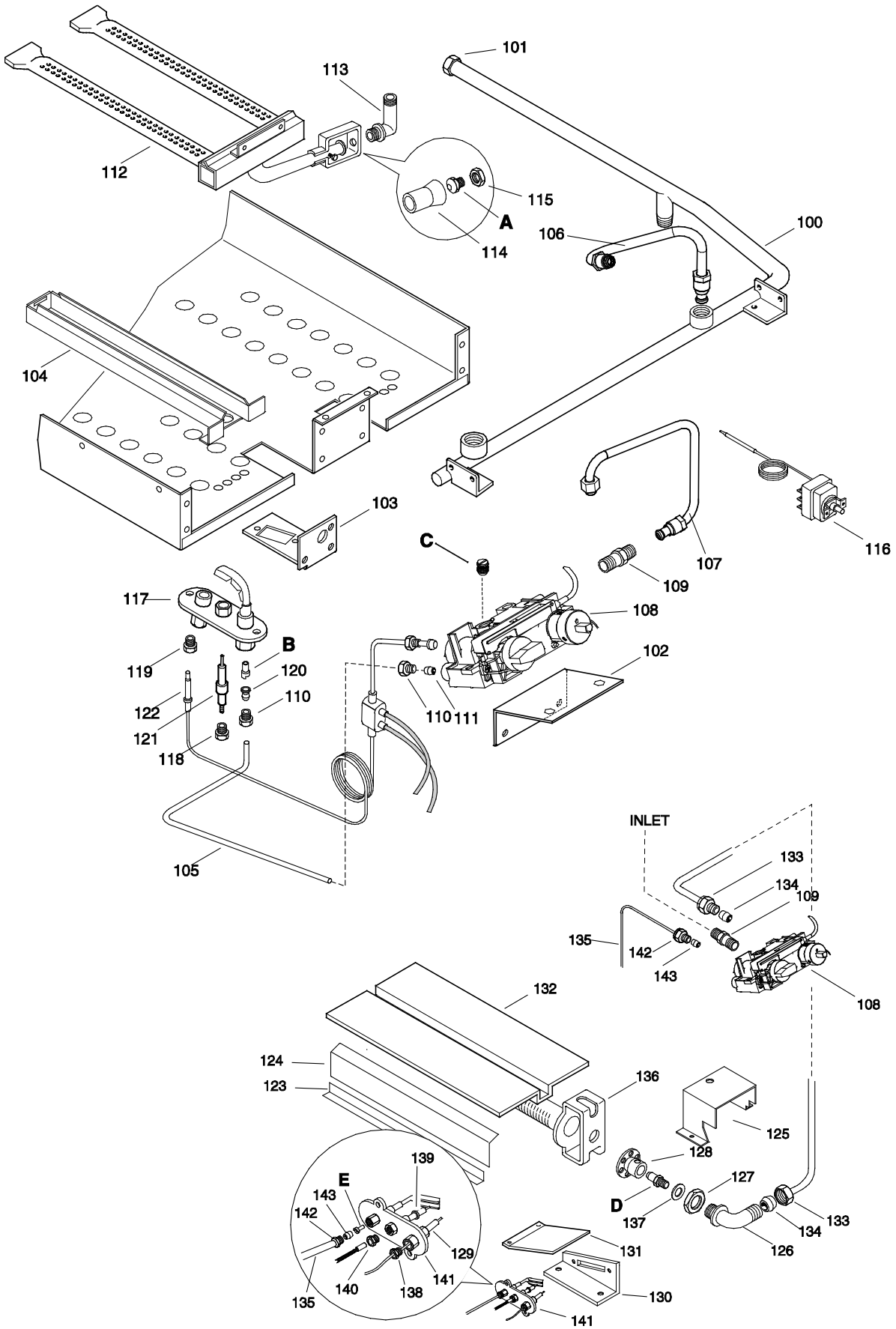


PNC	Model	Ref	Pag.	Brand	Version	Notes
391048	E9FTGDHS00	a	2-4	ELX	GAS	SMOOTH HORIZONTAL PLATE 400MM
391049	E9FTGDSR00	c	2-4	ELX	GAS	RIBBED SLOPED PLATE 400 MM
391050	E9FTGHHS00	b	2-4	ELX	GAS	SMOOTH HORIZONTAL PLATE 800MM
391051	E9FTGHSP00	d	2-4	ELX	GAS	SMOOTH+RIBB.SLOPED PL.800 MM
391053	E9FTGDSC00	e	2-4	ELX	GAS	CHR.SMOOTH SLOPED PLATE 400MM
391054	E9FTGHCS00	f	2-4	ELX	GAS	CHR.SMOOTH SLOPED PLATE 800MM
391055	E9FTGHCP00	g	2-4	ELX	GAS	CHR.SMOOTH+RIBB.SLOPED 800 MM
391052	E9FTGHSPG0	h	2-4	ELX	GAS	SMOOTH+RIBB.SLOPED+OVEN 800MM
391303	E9FTGHSP0W	z	2-4	ELX	GAS	SMOOTH+RIBB.SLOPED PL.800 MM
392048	Z9FTGDHS00	i	2-4	ZAN	GAS	SMOOTH HORIZONTAL PLATE 400MM
392049	Z9FTGDSR00	j	2-4	ZAN	GAS	RIBBED SLOPED PLATE 400 MM
392050	Z9FTGHHS00	k	2-4	ZAN	GAS	SMOOTH HORIZONTAL PLATE 800MM
392051	Z9FTGHSP00	l	2-4	ZAN	GAS	SMOOTH+RIBB.SLOPED PL.800 MM
392053	Z9FTGDSC00	m	2-4	ZAN	GAS	CHR.SMOOTH SLOPED PLATE 400MM
392054	Z9FTGHCS00	n	2-4	ZAN	GAS	CHR.SMOOTH SLOPED PLATE 800MM
392055	Z9FTGHCP00	o	2-4	ZAN	GAS	CHR.SMOOTH+RIBB.SLOPED 800 MM
392052	Z9FTGHSPG0	p	2-4	ZAN	GAS	SMOOTH+RIBB.SLOPED+OVEN 800MM
393048	A9FTGDHS00	q	2-4	OEM	GAS	SMOOTH HORIZONTAL PLATE 400MM
393049	A9FTGDSR00	r	2-4	OEM	GAS	RIBBED SLOPED PLATE 400 MM
393050	A9FTGHHS00	s	2-4	OEM	GAS	SMOOTH HORIZONTAL PLATE 800MM
393051	A9FTGHSP00	t	2-4	OEM	GAS	SMOOTH+RIBB.SLOPED PL.800 MM
393053	A9FTGDSC00	u	2-4	OEM	GAS	CHR.SMOOTH SLOPED PLATE 400MM
393054	A9FTGHCS00	v	2-4	OEM	GAS	CHR.SMOOTH SLOPED PLATE 800MM
393055	A9FTGHCP00	x	2-4	OEM	GAS	CHR.SMOOTH+RIBB.SLOPED 800 MM
393052	A9FTGHSPG0	y	2-4	OEM	GAS	SMOOTH+RIBB.SLOPED+OVEN 800MM

Pag	Index	Indice	Note
2	General componets	Componenti struttura	
3	General componets	Componenti struttura	
4	Gas components	Componenti Gas	
5-8	Spare parts list	Lista ricambi	NEW pipes

Brand/Marchio: All
 Factory code: 9PDX





A - Ugello bruciatore / Burner nozzle			
Spare part Code	Ref. / Notes		
0A2104	ø2.40	2H/2E+	G20 20mbar
0A2475	ø2.25	2H	G20 25mbar
0A2174	ø2.65	2ELL	G25 20mbar
059382	ø2.50	2L	G25 25mbar
059382	ø2.50	2S	G25,1 25mbar
0A2089	ø1.60	3+3B/P	G30/31 30mbar
059384	ø1.50	3B/P	G30/31 37mbar
0A2082	ø1.40	3B/P	G30/31 50mbar
059358	ø2.85	No CE	G20 10mbar
0A2106	ø5.00	No CE	G110 8mbar
059216	ø1.70		Propane KOREA
0A2081	ø 2.30		Methane KOREA

B - Ugello pilota / Pilot nozzle			
Spare part Code	Ref./ Notes		
059215	n°27	2H/2E+	G20 20mbar
059215	n°27	2H	G20 25mbar
059215	n°27	2ELL	G25 20mbar
059215	n°27	2L	G25 25mbar
059215	n°27	2S	G25,1 25mbar
059216	n°14	3+3B/P	G30/31 30mbar
059216	n°14	3B/P	G30/31 37mbar
059216	n°14	3B/P	G30/31 50mbar
059215	n°27	No CE	G20 10mbar
059356	n°50	No CE	G110 8mbar
059216	n°14		Propane KOREA
059215	n°27		Methane KOREA

C - Vite minimo / Minimum screw			
Spare part Code	Ref./ Notes		
006653	ø1.90	2H/2E+	G20 20mbar
0C4156	ø1.75	2H	G20 25mbar
006654	ø2.00	2ELL	G25 20mbar
006653	ø1.90	2L	G25 25mbar
0C4156	ø1.75	2S	G25,1 25mbar
006652	ø1.25	3+3B/P	G30/31 30mbar
006651	ø1.10	3B/P	G30/31 37mbar
006651	ø1.10	3B/P	G30/31 50mbar
006654	ø2.00	No CE	G20 10mbar
-	ADJ	No CE	G110 8mbar
006652	ø1.25		28mbar Propane KOREA
006653	ø1.90		20mbar Methane KOREA

D - Ugello bruciatore FORNO / Burner nozzle OVEN			
Spare part Code	Ref. / Notes		
056471	ø2.25	2H/2E+	G20 20mbar
002267	ø2.45	2ELL	G25 20mbar
004727	ø2.35	2L	G25 25mbar
002862	ø1.50	3+3B/P	G30 30mbar
004488	ø1.40	3B/P	G30 36mbar
059364	ø1.30	3B/P	G30 50mbar
004727	ø2.35	2S	G25.1 25mbar
002267	ø2.45	No CE	G20 10mbar
059365	ø5.50	No CE	G110 8mbar

E - Ugello pilota FORNO / Pilot nozzle OVEN			
Spare part Code	Ref./ Notes		
059215	n°27	2H/2E+	G20 20mbar
059215	n°27	2ELL	G25 20mbar
059215	n°27	2L	G25 25mbar
059216	n°14	3+3B/P	G30 30mbar
059216	n°14	3B/P	G30 36mbar
059216	n°14	3B/P	G30 50mbar
059215	n°27	2S	G25.1 25mbar
059215	n°27	No CE	G20 10mbar
059365	n°50	No CE	G110 8mbar

FRYTOP GAS E900 XP
GAS FRYTOP E900 XP

<i>Pos</i>	<i>Factory Code</i>	<i>Spare part Code</i>	<i>Descrizione</i>	<i>Description</i>	<i>Ref./Note</i>
1	530800006	*	FONDO 1/2 M TOP	BOTTOM PANEL 400	
1	530800106	*	FONDO 1 M TOP	BOTTOM PANEL 800	
2	315252601	026806	PIEDINO	FOOT	
2a	50589CD00	*	PIASTRA DI RINFORZO PER PIEDE	PLATE FOR FOOT	WITH OVEN
3	85089DR01	*	RIVESTIMENTO TOP 400	EXTERNAL PANEL 400	ELX
3	85089DU01	*	RIVESTIMENTO TOP 400	EXTERNAL PANEL 400	ZAN, OEM
3	85089DS02	0C9625	RIVESTIMENTO TOP 800	EXTERNAL PANEL 800	ELX
3	85089DV01	*	RIVESTIMENTO TOP 800	EXTERNAL PANEL 800	ELX
3	85089DZ01	*	RIVESTIMENTO MONOBLOCCO 800	EXTERNAL PANEL 800	FREESTANDING ELX
3	85089F401	*	RIVESTIMENTO MONOBLOCCO 800	EXTERNAL PANEL 800	FREESTANDING ZAN, OEM
4	527850500	0C0156	SQUADRA FISS.FIANCHI	SIDE PANEL JOINTING PLATE	
5	875899F00	0C7468	PIASTRA-RIP. ORIZZ.400 FE LISC.	HORIZONTAL, SMOOTH FLAT PLATE,IRON 400	ELX
5	875899S00	0C7475	PIASTRA-RIP. ORIZZ.800 FE LISC.	HORIZONTAL, SMOOTH FLAT PLATE,IRON 800	ELX
5	875899N00	0C7472	PIASTRA-RIP. INCL. 400 FE RIG.	INCLINED, RIBBED PLATE,IRON 400	ELX
5	875899L00	0C7470	PIASTRA-RIP.INCL.800 FE1/3RIG.	INCLINED, 1/3 RIBBED PLATE, IRON 800	ELX
5	875899Q00	0C7223	PIASTRA-RIP.INCL.400 CR LISCIA	INCLINED. CHROME SM. PLATE 400	ELX
5	875899U01	0C7477	PIASTRA-RIP.INCL.800 CR LISC.	INCLINED, CHROME SM. PLATE 800	ELX
5	875899W00	0C7479	PIASTRA-RIP.INCL.800 CR1/3RIG	INCLINED, CHROME 1/3 RIB. PLATE 800	ELX
5	87089DX00	0C7437	PIASTRA-RIP. ORIZZ.400 FE LISC.	HORIZONTAL, SMOOTH FLAT PLATE,IRON 400	ZAN, OEM
5	87089F000	0C7440	PIASTRA-RIP. ORIZZ.800 FE LISC.	HORIZONTAL, SMOOTH FLAT PLATE,IRON 800	ZAN, OEM
5	87089DY00	0C7438	PIASTRA-RIP. INCL. 400 FE RIG.	INCLINED, RIBBED PLATE,IRON 400	ZAN, OEM
5	87089F100	0C7441	PIASTRA-RIP.INCL.800 FE1/3RIG.	INCLINED, 1/3 RIBBED PLATE,IRON 800	ZAN, OEM
5	87089F200	0C7442	PIASTRA-RIP.INCL.400 CR LISCIA	INCLINED, CHROME SM. PLATE 400	ZAN, OEM
5	87089F300	0C7443	PIASTRA-RIP.INCL.800 CR LISC.	INCLINED, CHROME SM. PLATE 800	ZAN, OEM
5	87089F400	0C7444	PIASTRA-RIP.INCL.800 CR1/3RIG	INCLINED, CHROME 1/3 RIB. PLATE 800	ZAN, OEM
6	206250401	*	PIASTRINA FISSAGGIO CAPILLARE	PLATE, CAPILLARY FIXING	
7	530887902	*	CAMERA COMBUSTIONE 400 mm	COMBUSTION CHAMBER 400	
7	538860603	0CA380	CAMERA COMBUSTIONE 800 mm	COMBUSTION CHAMBER 800	
8	528885301	*	ANTERIORE CAMINO 400 mm	FRONT PANEL CHIMNEY 400	
8	538860701	0CA381	ANTERIORE CAMINO 800 mm	FRONT PANEL CHIMNEY 800	
9	528885201	*	PARETE FRONTALE CAM.COMB.400	FRONT PANEL COMB.CHAMBER 400	
9	528884400	0CA382	PARETE FRONTALE SX C.COMB. 800mm	LEFT FRONT PANEL COMB.C. 800	
9	528885100	0CA383	PARETEFRONTALE DX CAM.COMB. 800mm	RIGHT FRONT PANEL COMB.C. 800	
10	275290025	057400	VETRINO SPIA	INSPECTION GLASS BURNE	
11	206260400	057382	CORNICE PER VETRINO SPIA	FRAME FOR GLASS	
12	282217401	057402	GUARNIZIONE PER VETRINO SPIA	GASKET, INSPECTION GLASS	
13	511833100	0C6384	TAPPO	STOPPER	
14	806875200	0C6254	TUBO SCARICO GRASSI	DRAIN PIPE	
15	50389LP00	0C7333	GRIGLIA CAMINO	CHIMNEY GRID	
16	530899801	0C6385	PARASPRUZZI 800	SPLASHBACK 400	
16	530899901	0C6386	PARASPRUZZI 400	SPLASHBACK 800	
17	85589A800	0C7211	CRUSCOTTO 400	CONTROL PANEL 400	ELX
17	87089DW00	0C7436	CRUSCOTTO 400	CONTROL PANEL 400	ZAN, OEM
17	85589A901	0C7431	CRUSCOTTO 800	CONTROL PANEL 800	ELX
17	87089DZ00	0C7439	CRUSCOTTO 800	CONTROL PANEL 800	ZAN, OEM
17	85589AA00	0C7432	CRUSCOTTO 800 + FORNO	CONTROL PANEL 800 + OVEN	ELX
17	87089F500	0C7445	CRUSCOTTO 800 +FORNO	CONTROL PANEL 800 + OVEN	ZAN
17	87089HG00	0C7462	CRUSCOTTO 800 +FORNO	CONTROL PANEL 800 + OVEN	OEM
18	85089CV00	0C7205	CASSETTO 400	DRAWER, FRYTOP 400	
18	85089CX00	0C7303	CASSETTO 800	DRAWER, FRYTOP 800	

FRYTOP GAS E900 XP
GAS FRYTOP E900 XP

<i>Pos</i>	<i>Factory Code</i>	<i>Spare part Code</i>	<i>Descrizione</i>	<i>Description</i>	<i>Ref./Note</i>
19	511850D02	0C7330	MANOPOLA	KNOB FOR THERMOSTAT	ELX
19	548877Z01	0C7179	MANOPOLA	KNOB FOR THERMOSTAT	ZAN
19	548856601	0C0190	MANOPOLA	KNOB FOR THERMOSTAT	OEM
20	548863301	0C2021	MANOPOLA ACCENDITORE	KNOB FOR IGNITER	ELX
20	548878301	0C7181	MANOPOLA ACCENDITORE	KNOB FOR IGNITER	ZAN
20	548872700	0C5252	MANOPOLA ACCENDITORE	KNOB FOR IGNITER	OEM
21					
22	543821000	053816	GUARNIZIONE PER MANOPOLA	KNOB GASKET	
23	548876Q01	0C7329	GHIERA MERTIK	KNOB RING FOR GAS VALVE	ELX
23	548879900	0C7429	GHIERA MERTIK	KNOB RING FOR GAS VALVE	ZAN, OEM
23	548877401	0C7342	GHIERA FORNO	KNOB RING FOR OVEN	ELX
23	548879700	0C7241	GHIERA FORNO	KNOB RING FOR OVEN	ZAN, OEM
24	541813800	0C6171	RONDELLA IN SILICONE	SILICONE GASKET	
25	218912211	0C6288	MOLLETTA PER GHIERA	SPRING FOR KNOB RING	
26	538831100	0C6445	GRIGLIA PROTEZIONE BULBO	GRILL, PROTECTION PROBE	
27	516860702	0C0137	PIASTRINA POSTERIORE RIPIANO	JOINTING REAR PLATE	
28	805848202	055995	RASCHIETTO PER PIASTRA LISCIA	SCRAPER FOR SMOOTH PLATE	
29	506887401	056347	LAMA PER RASCHIETTO	BLADE FOR SCRAPER	
30	830851300	056940	RASCHIETTO PER PIASTRA RIGATA	SCRAPER FOR RIBBED PLATE	
31	50389G501	0C7272	PORTA FORNO	DOOR, OVEN	
32	50389G600	0C7273	CONTROPORTA	INNER DOOR OVEN	
33	560839601	0C0197	ISOLAMENTO PORTA FORNO	INSULATION, OVEN DOOR	
34	560839400	0C0195	ISOLAMENTO FORNO	INSULATION, OVEN	
35	560839502	0C0196	ISOLAMENTO SCHIENA FORNO	INSULATION, BACK OVEN	
36	51589A500	0C7274	MANIGLIA FORNO	HANDLE, OVEN DOOR	ELX
36	51589A601	0C7226	MANIGLIA FORNO	HANDLE, OVEN DOOR	ZAN
36	83089FY00	0C7946	MANIGLIA FORNO	HANDLE, OVEN DOOR	OEM
37	530R01701	0C6891	BLOCCHETTO MANIGLIA	HANDLE SUPPORT	ELX
38	530R01801	0C6823	TAPPO CHIUSURA MANIGLIA	STOPPER FOR HANDLE	ELX
*	85589A300	0C7271	ASSIEME PORTA FORNO	COMPLETE DOOR	ELX
*	85589CH01	0C7276	ASSIEME PORTA FORNO	COMPLETE DOOR	ZAN
*	85589CQ00	0C7278	ASSIEME PORTA FORNO	COMPLETE DOOR	OEM
39	835848100	0C0203	CERNIERA PORTA FORNO	HINGE, OVEN DOOR	
40	205075423	052725	COPRICERNIERA	HINGE COVER	
41	51489AH00	0C7335	GUIDA PER GRIGLIA FORNO	GRATE LEADING	
42	330260843	025020	GRIGLIA FORNO	GRID; OVEN	
43	510818901	0C0123	SUOLA	SOLE	
44	800833100	0C0198	COPERTURA FORO PILOTA	COVERING, PILOT	
45	870838207	0C0218	FACCIATA FORNO 800mm	FRONT OVEN 800mm	WITH OVEN
46	529836403	0C0173	ANTERIORE CAMINO FORNO	FRONT CHIMNEY OVEN	
47	529836503	0C0174	POSTERIORE CAMINO FORNO	REAR CHIMNEY OVEN	
48	529835705	0C0167	SCHIENALE FORNO GAS	REAR SIDE PANEL OVEN	WITH OVEN
49	529835509	0C0166	INVOLUCRO FORNO	GAS OVEN SHELL	WITH OVEN
50	5038A1Z00	*	FONDO MONOBLOCCO 800mm	BOTTOM PANEL FREEST. 800mm	FREESTANDING
100	806877800	0C6257	RIBALTA 400	MANIFOLD 400MM	
100	806877900	0C6258	RIBALTA 800	MANIFOLD 800MM	
101	210360300	051717	CALOTTA ESAG.1/2'	CAP 1/2"	
102	528830702	*	SUPPORTO VALVOLA	VALVE SUPPORT	
103	528815100	0C1546	SUPPORTO SX PILOTA	LEFT SUPPORT FOR PILOT	800 mm
103	528815000	0C1545	SUPPORTO DX PILOTA	RIGHT SUPPORT FOR PILOT	
104	528884500	*	CONVOGLIATORE ARIA	CONVEYOR, BURNER	
105	517878801	0C0598	CONDUTTURA PILOTA 400	PILOT PIPE 400	400 mm
105	513808300	0C6252	CONDUTTURA SX BRUC. PILOTA	LEFT PILOT PIPE	800 mm
105	513808400	0C6253	CONDUTTURA DX BRUC.PILOTA	RIGHT PILOT PIPE	800 mm
106	80589CH00	0CA090	CONDUTTURA RIBALTA-VALVOLA	PIPE MANIFOLD- GAS VALVE	400 mm
106	80589CF00	0CA086	CONDUTTURA SX RIBALTA-VALVOLA	LEFT PIPE MANIFOLD- GAS VALVE	800 mm
106	80589CC00	0CA087	CONDUTTURA DX RIBALTA-VALVOLA	RIGHT PIPE MANIFOLD- GAS VALVE	800 mm

FRYTOP GAS E900 XP
GAS FRYTOP E900 XP

<i>Pos</i>	<i>Factory Code</i>	<i>Spare part Code</i>	<i>Descrizione</i>	<i>Description</i>	<i>Ref./Note</i>
107	80589CJ00	0CA091	CONDUTTURA VALVOLA-BRUCIATORE	PIPE GAS VALVE BURNER	400 mm
107	80589CG00	0CA089	CONDUTTURA SX VALVOLA-BRUCIATORE.	LEFT PIPE GAS VALVE BURNER	800 mm
107	80589CD00	0CA088	CONDUTTURA DX VALVOLA-BRUCIATORE.	RIGHT PIPE GAS VALVE BURNER	800 mm
108	835853003	0C5246	VALVOLA GAS	GAS VALVE	
109	214191001	026783	RACCORDO VALVOLA	VALVE CONNECTION	
110	214164400	052125	RACCORDO M10X1 FORO DA 4	CONNECTION	
111	215199700	052127	BICONO SPEC.DA 4	BICONICAL RING DIAM.4	
112	835853700	006650	BRUCIATORE	BURNER	
113	511805801	059375	PORTAUGELLO	NOZZLE HOLDER	
114	215088100	052062	BOCCOLA REGOL.ARIA	BUSH, BURNER	
115	214105101	020997	CONTRODADO PORTAUGELLO	LOCK NUT, NOZZLE HOLDER	
116	646808102	004269	TERMOSTATO DI SICUREZZA	SAFETY THERMOSTAT	CHROME
117	830884101	005503	PILOTA	PILOT	
118	214164101	057960	RACCORDO FISSAGGIO CANDELA	NIPPLE, ELECTRODE	
119	214162000	0C0121	RACCORDO FISSAGGIO TERMOCOPPIA	CONNECTION FOR THERMOCOUPLE	
120	517808700	059161	BICONO DIA.4	BICONIC DIAM.4	
121	830863300	059380	ELETTRODO DI ACCENSIONE	ELECTRODE, IGNITION	
122	830852201	025031	TERMOCOPPIA	THERMOCOUPLE	NOT CHROME
122	831818901	0C3162	TERMOCOPPIA INTERROTTA	INTERRUPTED THERMOCOUPLE	CHROME
123	529835902	0C0168	CONVOGLIATORE BRUCIATORE	PROTECTION, BURNER	
124	529836000	0C0169	CHIUSURA PER CONVOGLIATORE	PROTECTION TIGHTENER	
125	529836101	0C0170	CHIUSURA PER BRUCIATORE	OVEN BURNER TIGHTENER	
126	511805401	059250	PORTAUGELLO	INJECTOR HOLDER	
127	214105101	020997	CONTRODADO	LOCK NUT	
128	830827102	054085	AREATORE	AREATOR	
129	830852501	020094	TERMOCOPPIA FORNO	THERMOCOUPLE OVEN	
130	529836201	0C0171	SQUADRETTA PILOTA	BRACKET, PILOT	
131	529836300	0C0172	PROTEZIONE PILOTA	PROTECTION, PILOT	
132	529836602	0C0175	PARAFIAMMA BRUCIATORE FORNO	FLAME SPREADER, OVEN	
133	514829301	0A2125	DADO, CONDUTTURA FORNO	NUT, OVEN PIPE	
134	215073101	060325	BICONO, CONDUTTURA FORNO	DOUBLE CONE, OVEN PIPE	
135	513808901	0C6389	CONDUTTURA PILOTA	PIPE, PILOT	
136	830860902	059221	BRUCIATORE FORNO	OVEN BURNER	
137	506833401	054029	GUARNIZIONE UGELLO	GASKET, INJECTOR	
138	214162000	0C0121	RACCORDO TERMOCOPPIA	PIPE FITTING, THERMOCOUPLE	
139	830863300	059380	ELETTRODO	ELECTRODE	
140	214164101	057960	RACCORDO ELETTRODO	PIPE FITTING, ELECTRODE	
141	830884101	005503	PILOTA	PILOT BURNER	
142	214164400	052125	RACCORDO PILOTA	PIPE FITTING PILOT PIPE	
143	517808700	059161	BICONO PILOTA	DOUBLE CONE, PILOT	