

**FRYTOP ELETTRICO E900XP**  
**ELECTRIC FRYTOP E900XP**

PNC	Model	Ref	Pag.	Brand	Version	Notes
190022	E9FTEHSR00	t1		ELX	EL	RIBBED SLOPED 800MM
190044	E9FTEDHS06	u1		ELX	EL	SMOOTH HORIZONTAL PLATE 400 MM – 440V
391067	E9FTEDHS00	a		ELX	EL	SMOOTH HORIZONTAL PLATE 400 MM – 400V
391068	E9FTEDSR00	b		ELX	EL	RIBBED SLOPED PLATE 400 MM
391069	E9FTEHHS00	c		ELX	EL	SMOOTH HORIZONTAL PLATE 800 MM
391070	E9FTEHSP00	d		ELX	EL	SMOOTH+RIBBED SLOPED 800MM
391071	E9FTEHSPE0	e		ELX	EL	SMOOTH+RIBB.SLOPED+OVEN 800MM
391072	E9FTEDCS00	f		ELX	EL	CHR.SMOOTH SLOPED PLATE 400 MM
391073	E9FTEHCS00	g		ELX	EL	CHR.SMOOTH SLOPED PLATE 800 MM
391074	E9FTEHCP00	h		ELX	EL	CHR.SMOOTH+RIBBED SLOPED 800
391171	E9FTEDHS0N	i		ELX	EL	SMOOTH HORIZ.PLATE 400MM-230V
391172	E9FTEDSR0N	j		ELX	EL	RIBBED SLOPED PLATE 400MM-230V
391173	E9FTEHHS0N	k		ELX	EL	SMOOTH HORIZ.PLATE 800MM-230V
391174	E9FTEHSP0N	l		ELX	EL	SMOOTH+RIBB.SLOPED 800 MM-230V
391175	E9FTEDCS0N	m		ELX	EL	CHR.SMOOTH SLOPED 400 MM-230V
391176	E9FTEHCS0N	n		ELX	EL	CHR.SMOOTH SLOPED 800 MM-230V
391177	E9FTEHCP0N	o		ELX	EL	CHR.SMOOTH+RIB.SLOP.800MM-230V
392067	Z9FTEDHS00	p		ZAN	EL	SMOOTH HORIZONTAL PLATE 400 MM
392068	Z9FTEDSR00	q		ZAN	EL	RIBBED SLOPED PLATE 400 MM
392069	Z9FTEHHS00	r		ZAN	EL	SMOOTH HORIZONTAL PLATE 800 MM
392070	Z9FTEHSP00	s		ZAN	EL	SMOOTH+RIBBED SLOPED 800MM
392071	Z9FTEHSPE0	t		ZAN	EL	SMOOTH+RIBB.SLOPED+OVEN 800MM
392072	Z9FTEDCS00	u		ZAN	EL	CHR.SMOOTH SLOPED PLATE 400 MM
392073	Z9FTEHCS00	v		ZAN	EL	CHR.SMOOTH SLOPED PLATE 800 MM
392074	Z9FTEHCP00	w		ZAN	EL	CHR.SMOOTH+RIBBED SLOPED 800
392171	Z9FTEDHS0N	x		ZAN	EL	SMOOTH HORIZ.PLATE 400MM-230V
392172	Z9FTEDSR0N	y		ZAN	EL	RIBBED SLOPED PLATE 400MM-230V
392173	Z9FTEHHS0N	z		ZAN	EL	SMOOTH HORIZ.PLATE 800MM-230V
392174	Z9FTEHSP0N	a1		ZAN	EL	SMOOTH+RIBB.SLOPED 800 MM-230V
392175	Z9FTEDCS0N	b1		ZAN	EL	CHR.SMOOTH SLOPED 400 MM-230V
392176	Z9FTEHCS0N	c1		ZAN	EL	CHR.SMOOTH SLOPED 800 MM-230V
392177	Z9FTEHCP0N	d1		ZAN	EL	CHR.SMOOTH+RIB.SLOP.800MM-230V
393067	A9FTEDHS00	e1		OEM	EL	SMOOTH HORIZONTAL PLATE 400 MM
393068	A9FTEDSR00	f1		OEM	EL	RIBBED SLOPED PLATE 400 MM
393069	A9FTEHHS00	g1		OEM	EL	SMOOTH HORIZONTAL PLATE 800 MM
393070	A9FTEHSP00	h1		OEM	EL	SMOOTH+RIBBED SLOPED 800MM
393071	A9FTEHSPE0	i1		OEM	EL	SMOOTH+RIBB.SLOPED+OVEN 800MM
393072	A9FTEDCS00	j1		OEM	EL	CHR.SMOOTH SLOPED PLATE 400 MM
393073	A9FTEHCS00	k1		OEM	EL	CHR.SMOOTH SLOPED PLATE 800 MM
393074	A9FTEHCP00	l1		OEM	EL	CHR.SMOOTH+RIBBED SLOPED 800
393171	A9FTEDHS0N	m1		OEM	EL	SMOOTH HORIZ.PLATE 400MM-230V
393172	A9FTEDSR0N	n1		OEM	EL	RIBBED SLOPED PLATE 400MM-230V
393173	A9FTEHHS0N	o1		OEM	EL	SMOOTH HORIZ.PLATE 800MM-230V
393174	A9FTEHSP0N	p1		OEM	EL	SMOOTH+RIBB.SLOPED 800 MM-230V
393175	A9FTEDCS0N	q1		OEM	EL	CHR.SMOOTH SLOPED 400 MM-230V
393176	A9FTEHCS0N	r1		OEM	EL	CHR.SMOOTH SLOPED 800 MM-230V
393177	A9FTEHCP0N	s1		OEM	EL	CHR.SMOOTH+RIB.SLOP.800MM-230V

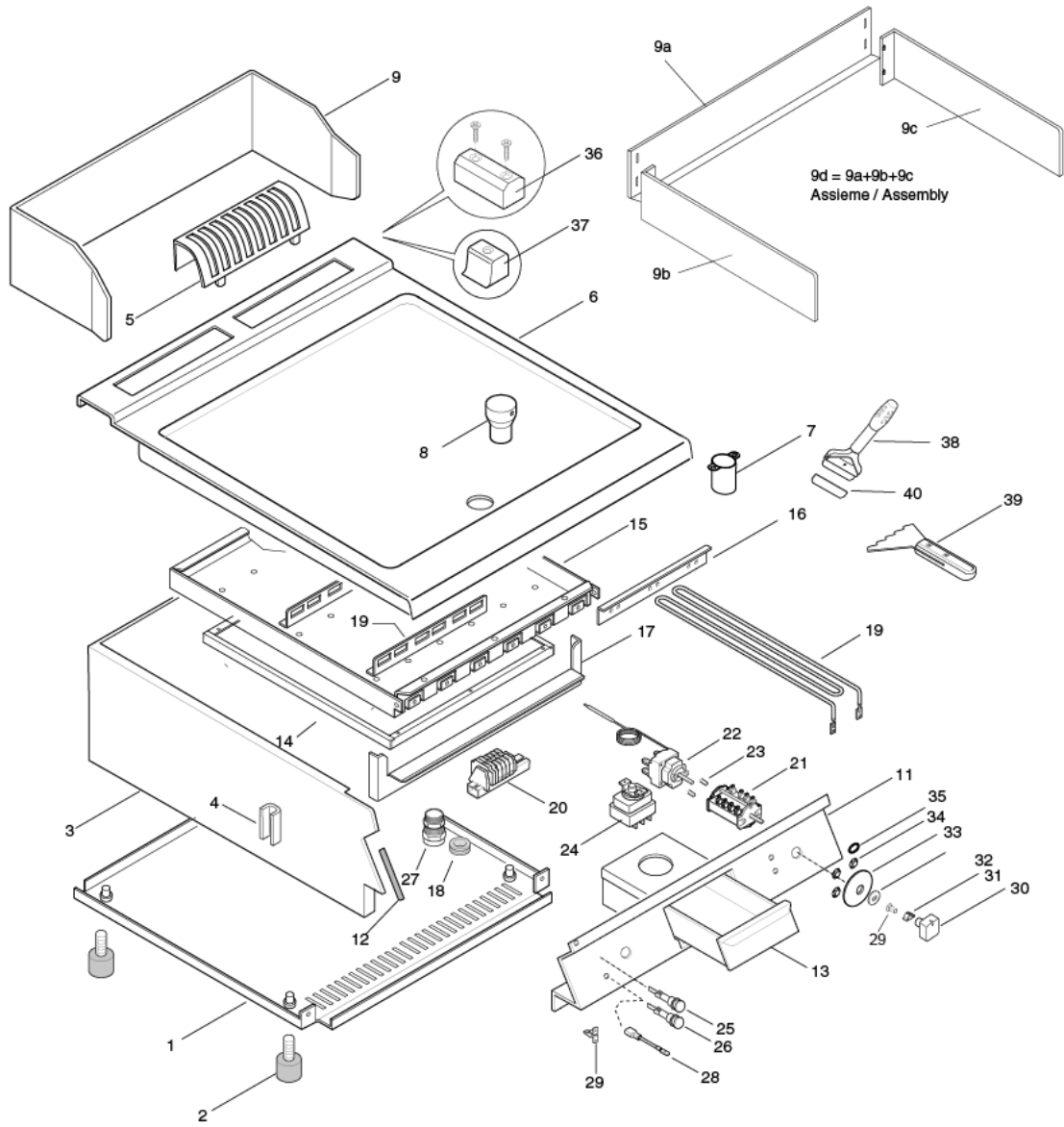
Pag	Index	Indice
2,3	General componets	Componenti struttura
4,5,6	Spare parts list	Lista ricambi

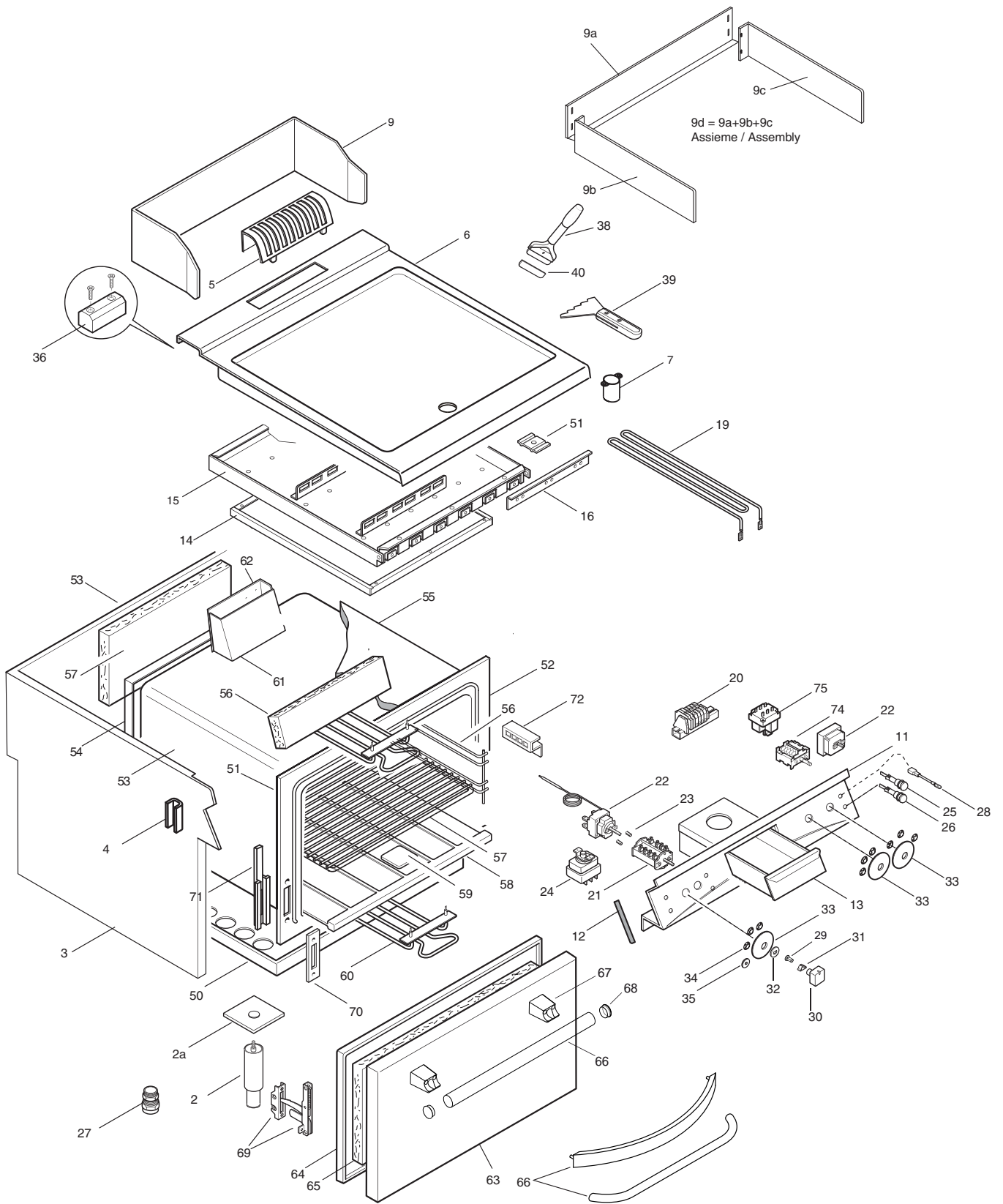
Brand/Marchio: All  
 Factory code: 9PDX

From sr. Nr/ Da Ser. Nr.: 016

Page: 1 Ed. 2018 03

Doc. Nr.: **059785FY00**





**FRYTOP ELETTRICO E900XP**  
**ELECTRIC FRYTOP E900XP**

<i>Pos</i>	<i>Factory Code</i>	<i>6DGT Code</i>	<i>Descrizione</i>	<i>Description</i>	<i>Ref./Note</i>
1	0530813304	*	FONDO 400mm	BOTTOM PANEL 400	TOP
1	0530813404	*	FONDO 800mm	BOTTOM PANEL 800	TOP
2	0315252601	026806	PIEDINO	FOOT	TOP
2	0835856900	0C0204	PIEDINO	FOOT	WITH OVEN
2a	050589CD00	*	PIASTRA DI RINFORZO PER PIEDE	PLATE FOR FOOT	WITH OVEN
3	085089DR01	*	RIVESTIMENTO TOP 400	EXTERNAL PANEL 400	ELX
3	085089DU01	*	RIVESTIMENTO TOP 400	EXTERNAL PANEL 400	ZAN, OEM
3	085089DS01	*	RIVESTIMENTO TOP 800	EXTERNAL PANEL 800	ELX
3	085089DV01	*	RIVESTIMENTO TOP 800	EXTERNAL PANEL 800	ELX
3	085089DZ01	*	RIVESTIMENTO MONOBLOCCO 800	EXTERNAL PANEL FREESTANDING 800	ELX
3	085089F401	*	RIVESTIMENTO MONOBLOCCO 800	EXTERNAL PANEL FREESTANDING 800	ZAN, OEM
4	0527850500	0C0156	SQUADRA FISS.FIANCHI N900	SIDE PANEL JOINTING PLATE	
5	050389LP00	0C7333	GRIGLIA CAMINO	CHIMNEY GRID	
6	0875899G00	0C7469	PIASTRA-RIP. ORIZZ.400 FE LISC.	SHELF, SMOOTH FLAT PLATE 400	ELX
6	0875899T00	0C7476	PIASTRA-RIP. ORIZZ.800 FE LISC.	SHELF, SMOOTH FLAT PLATE 800	ELX
6	0875899P00	0C7473	PIASTRA-RIP. INCL. 400 FE RIG.	SHELF, RIBBED PLATE 400	ELX
6	0875899M00	0C7471	PIASTRA-RIP.INCL.800 FE1/3RIG.	SHELF, 1/3 RIBBED PLATE 800	ELX
6	0875899R00	0C7474	PIASTRA-RIP.INCL.400 CR LISCIA	SHELF, CHROME SM. PLATE 400	ELX
6	0875899V00	0C7478	PIASTRA-RIP.INCL.800 CR LISC.	SHELF, CHROME SM. PLATE 800	ELX
6	0875899X00	0C7480	PIASTRA-RIP.INCL.800 CR1/3RIG	SHELF, CHROME 1/3 RIB. PLATE 800	ELX
<b>6</b>	<b>087589F800</b>	<b>OCA655</b>	<b>PIASTRA-RIP.INCL.800 FE TUTTA RIG</b>	<b>SHELF, RIBBED PLATE 800</b>	<b>ELX, t1</b>
6	087089FF00	0C7450	PIASTRA-RIP. ORIZZ.400 FE LISC.	SHELF, SMOOTH FLAT PLATE 400	ZAN, OEM
6	087089FH00	0C7452	PIASTRA-RIP. ORIZZ.800 FE LISC.	SHELF, SMOOTH FLAT PLATE 800	ZAN, OEM
6	087089FZ00	0C7456	PIASTRA-RIP. INCL. 400 FE RIG.	SHELF, RIBBED PLATE 400	ZAN, OEM
6	087089G000	0C7457	PIASTRA-RIP.INCL.800 FE1/3RIG.	SHELF, 1/3 RIBBED PLATE 800	ZAN, OEM
6	087089G100	0C7458	PIASTRA-RIP.INCL.400 CR LISCIA	SHELF, CHROME SM. PLATE 400	ZAN, OEM
6	087089FY00	0C7455	PIASTRA-RIP.INCL.800 CR LISC.	SHELF, CHROME SM. PLATE 800	ZAN, OEM
6	087089G200	0C7459	PIASTRA-RIP.INCL.800 CR1/3RIG	SHELF, CHROME 1/3 RIB. PLATE 800	ZAN, OEM
7	0806875200	0C6254	TUBO SCARICO GRASSI	DRAIN PIPE	
8	0511833100	0C6384	TAPPO	STOPPER	TOP
9	0530899901	0C6386	PARASPRUZZI 400 mm	SPLASHBACK 400 mm	Up to ser 524
9	0530899801	0C6385	PARASPRUZZI 800 mm	SPLASHBACK 800 mm	Up to ser 524
9a	50089B000	0CA412	PARASPRUZZI POST 400 mm	SPLASHBACK REAR 400 mm	400 mm
9a	50089B100	0CA413	PARASPRUZZI POST 800 mm	SPLASHBACK REAR 800 mm	from ser 525
9b	50089B200	0CA414	PARASPRUZZI SX	SPLASHBACK LEFT	800 mm
9c	50089B300	0CA415	PARASPRUZZI DX	SPLASHBACK RIGHT	From ser 525
9d	85089NA00	0CA420	ASSIEME PARASPRUZZI 400 mm	SPLASHBACK ASSEMBLY 400 mm	400 mm
9d	85089NB00	0CA421	ASSIEME PARASPRUZZI 800 mm	SPLASHBACK ASSEMBLY 800 mm	from ser 525
10	0528823200	*	PROTEZIONE POSTERIORE 1/2M	FRONTAL PROTECTION 1/2M	400 mm
10	0528827101	*	PROTEZIONE POSTERIORE 1M	FRONTAL PROTECTION 1M	800 mm
11	085589AC00	0C7434	CRUSCOTTO 400 mm	CONTROL PANEL 400	ELX
11	085589AB00	0C7433	CRUSCOTTO 800 mm	CONTROL PANEL 800	ELX
11	085589AD00	0C7435	CRUSCOTTO 800 mm + FORNO	CONTROL PANEL 800 + OVEN	OVEN, ELX
11	087089FG00	0C7451	CRUSCOTTO 400 mm	CONTROL PANEL 400	ZAN
11	087089FJ00	0C7453	CRUSCOTTO 800 mm	CONTROL PANEL 800	ZAN
11	087089HQ00	0C7467	CRUSCOTTO 800 mm + FORNO	CONTROL PANEL 800 + OVEN	ZAN
11	087089HM00	0C7464	CRUSCOTTO 400 mm	CONTROL PANEL 400	OEM
11	087089HN03	0C7465	CRUSCOTTO 800 mm	CONTROL PANEL 800	OEM
11	087089HP00	0C7466	CRUSCOTTO 800 mm + FORNO	CONTROL PANEL 800 + OVEN	OEM
12	0543821900	0C2496	GUARNIZIONE CRUSCOTTO	GASKET FOR CONTROL PANEL	
13	085089CV00	0C7205	CASSETTO 400 mm	DRAWER, FRYTOP 400	
13	085089CX00	0C7303	CASSETTO 800 mm	DRAWER, FRYTOP 800	

**FRYTOP ELETTRICO E900XP**  
**ELECTRIC FRYTOP E900XP**

<i>Pos</i>	<i>Factory Code</i>	<i>6DGT Code</i>	<i>Descrizione</i>	<i>Description</i>	<i>Ref./Note</i>
14	0528886701	*	SCATOLA RESISTENZE 400 mm	BOX FOR HEATING ELEM.400	400 mm
14	0528887101	*	SCATOLA RESISTENZE 800 mm	BOX FOR HEATING ELEM.800	800 mm
15	0528886801	*	CONTROSCATOLA RESISTENZE 400	BOX FOR HEATING ELEM.400	400 mm
15	0528887201	*	CONTROSCATOLA RESISTENZE 800	BOX FOR HEATING ELEM.800	800 mm
16	0528886900	*	FERMO RESISTENZE	BRACKET, HEATING ELEM.	
17	0529804701	*	PARETE INTERMEDIA 400 mm	INTERMEDIATE WALL 400	400 mm
17	0529804101	*	PARETE INTERMEDIA 800 mm	INTERMEDIATE WALL 800	800 mm
18	0246520500	050180	PASSACAVO - DIA.23	GROMMET DIA.23	
19	0617823500	006681	RESISTENZA 2500W 400V	HEATING ELEMENT 2500W 400V	
19	0617823600	006682	RESISTENZA 2500W 230V	HEATING ELEMENT 2500W 230V	
<b>19</b>	<b>061783AA00</b>	<b>OCA653</b>	<b>RESISTENZA 2500W 440V</b>	<b>HEATING ELEMENT 2500W 440V</b>	
20	0639805001	059239	MORSETTIERA	MAIN TERMINAL BLOCK	TOP
20	0639805201	058875	MORSETTIERA	MAIN TERMINAL BLOCK	WITH OVEN
21	0641803400	006649	COMMUTATORE	SWITCH	
22	0646805302	059235	TERMOSTATO TRIPOL. 100-285°C	THERMOSTAT	
23	0214123600	050256	PERNO COLLEGAMENTO	PIN	
24	0646808102	004269	LIMITATORE DI TEMPERATURA	SAFETY THERMOSTAT	
25	0876800002	005010	ASSIEME LAMPAD VERDE TONDA	GREEN LAMP	
26	0876800102	005011	ASSIEME LAMPADA ARANCIO TONDA	YELLOW LAMP	
27	0544802300	0C0068	PRESSACAVO PG 21	TOGHTENER CORD	TOP
27	0544802400	0C3528	PRESSACAVO PG 21	TOGHTENER CORD	WITH OVEN
28	0638865100	005370	RESISTENZA DI CADUTA	LEAKAGE RESISTANCE	
29	0548877V00	0C7345	ADATTATORE MANOPOLA	KNOB ADAPTER	ELX
30	0511850G01	0C6670	MANOPOLA	KNOB	ELX
30	0548878201	0C7232	MANOPOLA	KNOB	ZAN
30	0548865500	0A5621	MANOPOLA	KNOB	OEM
31	0214590701	025245	MOLLETTA PER MANOPOLA	SPRING FOR KNOB	
32	0543821000	053816	GUARNIZIONE PER MANOPOLA	GASKET KNOB	
33	0548877P00	0C7626	GHIERA MANOPOLA COMMUTATORE	KNOB RING FOR SWITCH	ELX
33	0548879Z00	0C7430	GHIERA MANOPOLA COMMUTATORE	KNOB RING FOR SWITCH	ZAN, OEM
33	0548877J00	0C7231	GHIERA MANOPOLA COMMUTATORE	KNOB RING FOR SWITCH	OVEN, ELX
33	0548879U00	0C7247	GHIERA MANOPOLA COMMUTATORE	KNOB RING FOR SWITCH	OVEN, ZAN, OEM
33	0548877S01	0C7343	GHIERA MANOPOLA TERMOSTATO	KNOB RING FOR THERMOSTAT	OVEN, ELX
33	0548879D00	0C7242	GHIERA MANOPOLA TERMOSTATO	KNOB RING FOR THERMOSTAT	OVEN, ZAN, OEM
34	0218912211	069567	MOLLETTA PER GHIERA	SPRING FOR KNOB RING	
35	0541813800	0C6171	RONDELLA IN SILICONE	SILICONE WASHER	
36	0516860702	0C0137	N9 PIASTR.FILETTATA FISS.POST.RIPIANO	JOINTING REAR PLATE	
38	0805848203	055995	RASCHIETTO PER PIASTRA	SCRAPER	
39	0830851300	056940	RASCHIETTO PER PIASTRA RIGATA	SCRAPER FOR RIBBED PLATE	RIBBED
40	0506887401	056347	LAMA PER RASCHIETTO	BLADE FOR SCRAPER	
50	05038A1Y00		FONDO	BOTTOM PANEL	
51	0206250401	*	PIASTRINA FISSAGGIO CAPILLARE	PLATE, CAPILLARY FIXING	
<b>52</b>	<b>0870838209</b>	<b>0C0218</b>	<b>FACCIATA FORNO</b>	<b>FRONT OVEN</b>	
53	0529846408	*	CELLA FORNO	OVEN CELL	
54	0529846502	0C0264	SCHIENALE CELLA FORNO	REAR SIDE PANEL OVEN CELL	
55	0560840200	0C0255	ISOLAMENTO INVOLUCRO FORNO	INSULATION OVEN	
56	0560840300	0C0261	ISOLAMENTO ANTERIORE CELLA FORNO	FRONT SIDE INSULATION	
57	0560839502	0C0196	ISOLAMENTO SCHIENALE FORNO	REAR SIDE INSULATION	
56	051489AH00	0C7335	GUIDA PER TEGLIE FORNO	GRATE LEADING	
57	0330260843	025020	GRIGLIA FORNO	GRATE OVEN	
58	0510818901	0C0123	SUOLA GHISA FORNO	SOLE PLATE	
59	0800833100	0C0198	COPERTURA FORO ACCENSIONE	PILOT COVER OVEN	
60	0617832400	0C2813	RESISTENZA PER FORNO 1500W 400V	HEATING ELEMENT 1500W 400V	

**FRYTOP ELETTRICO E900XP**  
**ELECTRIC FRYTOP E900XP**

<i>Pos</i>	<i>Factory Code</i>	<i>6DGT Code</i>	<i>Descrizione</i>	<i>Description</i>	<i>Ref./Note</i>
61	0529836403	0C0173	ANTERIORE CAMINO FORNO	FRONT CHIMNEY OVEN	
62	0529836503	0C0174	POSTERIORE CAMINO FORNO	REAR CHIMNEY OVEN	
63	050389G501	0C7272	PORTA FORNO	DOOR, OVEN	
64	050389G600	0C7273	CONTROPORTA	INNER DOOR OVEN	
65	0560839601	0C0197	ISOLAMENTO PORTA FORNO	INSULATION, OVEN DOOR	
66	051589A500	0C7274	MANIGLIA FORNO	HANDLE, OVEN DOOR	ELX
66	051589A601	0C7226	MANIGLIA FORNO	HANDLE, OVEN DOOR	ZAN
66	083089FY00	0C7946	MANIGLIA FORNO	HANDLE, OVEN DOOR	OEM
67	0530R01701	0C6891	BLOCCHETTO MANIGLIA	HANDLE SUPPORT	ELX
68	0530R01801	0C6823	TAPPO CHIUSURA MANIGLIA	STOPPER FOR HANDLE	ELX
*	085589A300	0C7271	ASSIEME PORTA FORNO	COMPLETE DOOR	ELX
*	085589CH01	0C7276	ASSIEME PORTA FORNO	COMPLETE DOOR	ZAN
*	085589CQ00	0C7278	ASSIEME PORTA FORNO	COMPLETE DOOR	OEM
69	0835848100	0C0203	CERNIERA-PORTARULLINO	HINGE	
70	0205075423	052725	COPRICERNIERA	HINGE COVER	
71	0529835404	0C5244	SUPPORTO CERNIERA FORNO STATICO	SUPPORT FOR HINGE	
72	0538862800	0C6444	GRIGLIETTA PROTEZIONE BULBO	PROTECTION PROBE	
74	0641803700	0C0320	COMMUTATORE FORNO	SWITCH OVEN	Up to 3461
74	0641805600	0C9725	COMMUTATORE FORNO	SWITCH OVEN	From 3471
75	0646808600	004600	TERMOSTATO DI SICUREZZA FORNO	SAFETY THERMOSTAT OVEN	