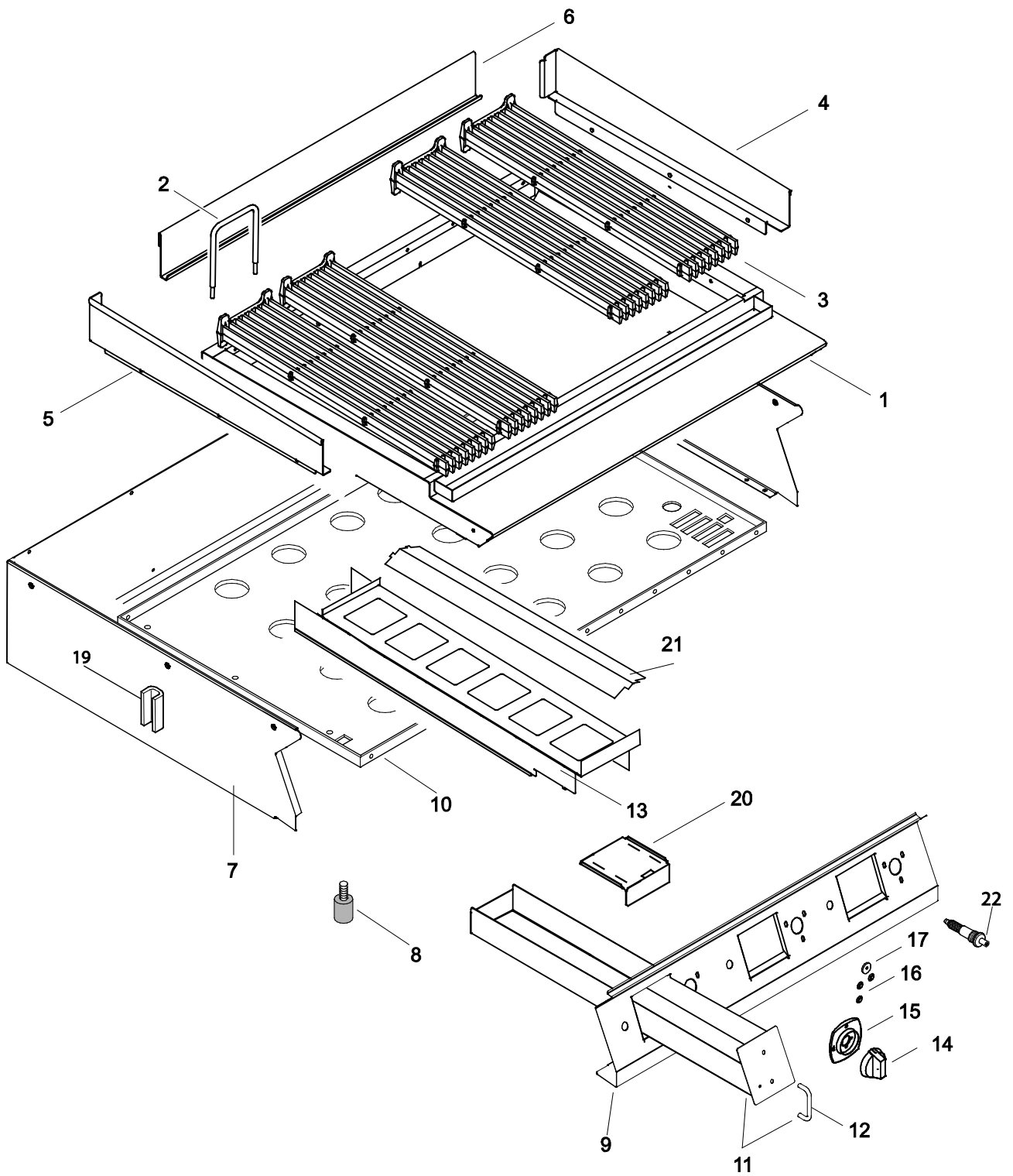
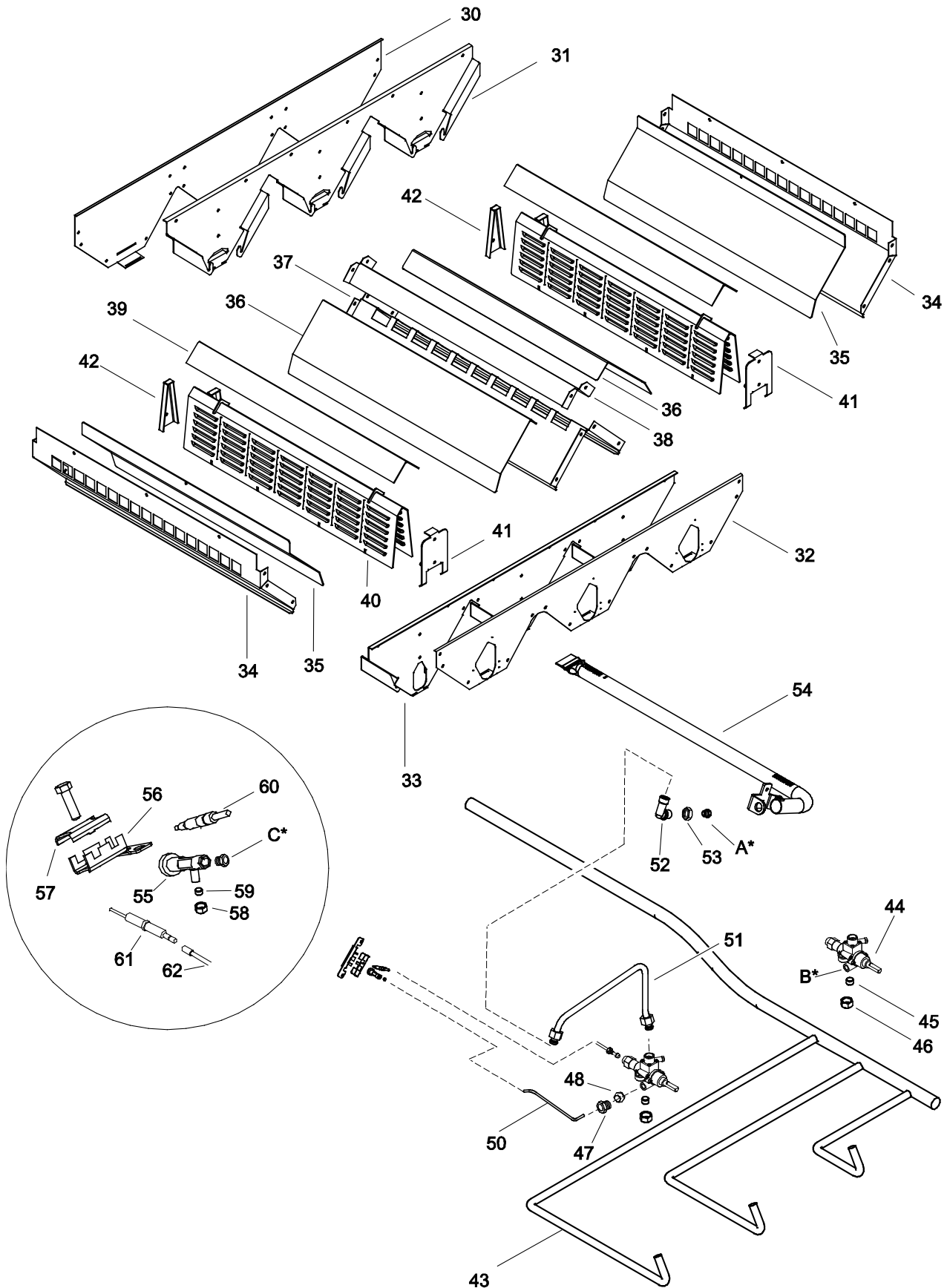


PNC	Model	Pag	Brand	Ref	Description
391219	E9GRGDGCP	2...6	ELX	a	TOP HP 400 MM
391065	E9GRGHGCOP	2...6	ELX	b	TOP HP 800 MM
391066	E9GRGLGCOP	2...6	ELX	c	TOP HP 1200 MM
392219	Z9GRGDGCP	2...6	ZAN	d	TOP HP 400 MM
392065	Z9GRGHGCOP	2...6	ZAN	e	TOP HP 800 MM
391186	E9GRTDGCOP	2...6	ELX	f	TOP HP 400 MM
391187	E9GRTHGCOP	2...6	ELX	g	TOP HP 800 MM
391188	E9GRTLGCOP	2...6	ELX	h	TOP HP 1200 MM
392186	Z9GRTDGCOP	2...6	ZAN	i	TOP HP 400 MM
392187	Z9GRTHGCOP	2...6	ZAN	J	TOP HP 800 MM
392066	Z9GRGLGCOP	2...6	ZAN	c	TOP HP 1200 MM

Pag	Index	Indice	Note
2	General componets	Componenti struttura	
3	Gas components	Componenti Gas	
4,5,6	Spare parts list	Lista ricambi	
7	Nozzle	Ugelli	NEW 0C9019 / 0C9234

Brand/Marchio: All
 Factory code: 9PDX





**GRIGLIE GAS HP E900 XP
GAS CHARBROILER HP E900 XP**

<i>Pos</i>	<i>Factory Code</i>	<i>Spare Part Code</i>	<i>Descrizione</i>	<i>Description</i>	<i>Ref./Note</i>
1	85089AV00	0C7234	RIPIANO	WORK TOP	ELX TOP 400
1	85089AW01	0C7137	RIPIANO	WORK TOP	ELX TOP 800
1	85089BP00	0C7139	RIPIANO	WORK TOP	ELX TOP 1200
1	85089JB00	0C7426	RIPIANO	WORK TOP	ZAN TOP 400
1	85089HY00	*	RIPIANO	WORK TOP	ZAN TOP 800
2	511834900	0C6148	MANIGLIA PER GRIGLIA	GRID HANDLE	
3	510828601	0C7379	GRIGLIA DI COTTURA IN GHISA	CAST IRON GRID	
4	50389L201	0C7375	PARASPRUZZI SINISTRO	LEFT SIDE SPLASHBACK	
5	50389L301	0C7377	PARASPRUZZI DESTRO	RIGHT SIDE SPLASHBACK	
6	50389L000	0C7277	PARASPRUZZI POSTERIORE	BACK SIDE SPLASHBACK	TOP 400
6	50389L101	0C7376	PARASPRUZZI POSTERIORE	BACK SIDE SPLASHBACK	TOP 800
6	50389P701	0C7129	PARASPRUZZI POSTERIORE	BACK SIDE SPLASHBACK	TOP 1200
7	85089DR00	*	FASCIA	EXTERNAL PANEL	ELX TOP 400
7	85089DS00	*	FASCIA	EXTERNAL PANEL	ELX TOP 800
7	85089DT00	*	FASCIA	EXTERNAL PANEL	ELX TOP 1200
7	85089DU00	*	FASCIA	EXTERNAL PANEL	ZAN TOP 400
7	85089DV00	*	FASCIA	EXTERNAL PANEL	ZAN TOP 800
8	315252601	026806	PIEDINO	FOOT	
9	85589D000	0C7384	CRUSCOTTO	CONTROL PANEL	ELX TOP 400
9	85589AF01	0C7144	CRUSCOTTO	CONTROL PANEL	ELX TOP 800
9	85589AN01	0C7145	CRUSCOTTO	CONTROL PANEL	ELX TOP 1200
9	85589D200	0C7482	CRUSCOTTO	CONTROL PANEL	ZAN TOP 400
9	85589CS00	0C7214	CRUSCOTTO	CONTROL PANEL	ZAN TOP 800
10	50389KU00	*	FONDO		TOP 400
10	50389KV03	*	FONDO		TOP 800
10	50389P002	*	FONDO		TOP 1200
11	85089AX01	0C7380	CASSETTO + MANIGLIA	DRAWER + HANDLE	
12	50389CM01	0C6653	MANIGLIA	HANDLE	
13	50489FR02	0C7160	SUPPORTO GUIDA CASSETTO	SUPPORT FOR DRAWER RUNNER	
14	511850G01	0C6670	MANOPOLA	KNOB	Untill s/n 220 PDX2012-05
14	54887AW00	0C8647	MANOPOLA	KNOB	after s/n 221 PDX2012-05
14	548878001	0C7180	MANOPOLA	KNOB	b , e , i , j
15	548877X00	0C7178	GHIERA	KNOB RING	
15	548876S01	0C6671	GHIERA	KNOB RING	f, g, h
15	548879S00	0C7245	GHIERA	KNOB RING	i, J
15	54887A300	0C7938	GHIERA	KNOB RING	d, e

**GRIGLIE GAS HP E900 XP
GAS CHARBROILER HP E900 XP**

<i>Pos</i>	<i>Factory Code</i>	<i>Spare Part Code</i>	<i>Descrizione</i>	<i>Description</i>	<i>Ref./Note</i>
16	218912211	069567	MOLLETTA FISSAGGIO GHIERA	RING CONNECTION	
17	541813800	0C6171	RONDELLA IN SILICONE	WASHER; SILICONE	
19	516860702	0C0137	PIASTRINA FISSAGGIO	PLATE FOR REAR JOINT	
20	50489FS01	0C9019	PROTEZIONE GUIDA CASSETTO	COVER FOR DRAWER GUIDE	
21	50489GK02	*	PROTEZIONE CASSETTO	COVER FOR DRAWER	
22	835834900	002605	ACCENDITORE PIEZO	PIEZOELECTRIC IGNICTER	
30	50489JV00	*	SCHERMO POSTERIORE	REAR SHIELD	TOP 400
30	50489FY02	*	SCHERMO POSTERIORE	REAR SHIELD	TOP 800
30	50489H201	*	SCHERMO POSTERIORE	REAR SHIELD	TOP 1200
31	050489JZ00	*	SUPPORTO POSTERIORE SPECCHI	REAR SUPPORT FOR SHIELD	TOP 400
31	50489G201	*	SUPPORTO POSTERIORE SPECCHI	REAR SUPPORT FOR SHIELD	TOP 800
31	50489H400	*	SUPPORTO POSTERIORE SPECCHI	REAR SUPPORT FOR SHIELD	TOP 1200
32	50489JU00	*	SCHERMO ANTERIORE	FRONT SHIELD	TOP 400
32	50489FW02	*	SCHERMO ANTERIORE	FRONT SHIELD	TOP 800
32	50489H101	*	SCHERMO ANTERIORE	FRONT SHIELD	TOP 1200
33	50489JY00	*	SUPPORTO ANTERIORE SPECCHI	FRONT SUPPORT FOR SHIELD	TOP 400
33	50489G001	*	SUPPORTO ANTERIORE SPECCHI	FRONT SUPPORT FOR SHIELD	TOP 800
33	050489H300	*	SUPPORTO ANTERIORE SPECCHI	FRONT SUPPORT FOR SHIELD	TOP 1200
34	50489FW02	*	PARETE LATERALE CAMERA COMB.	SIDE PANEL OF COMB. CHAMBER	
35	50489G501	*	SPECCHIO LATERALE	BACK SIDE SHIELD	
36	50489G601	*	SPECCHIO CENTRALE	CENTRAL SHIELD	
37	50489G301	*	SUPPORTO CENTRALE SPECCHI	CENTRAL SUPPORT FOR SHIELDS	
38	50589CA00	0C9107	COPPO CENTRALE	CENTRAL TILE	
39	50489G801	0C7378	TEGOLO	TILE	
40	83089DL02	0C7235	RADIATORE	RADIATOR	
41	505899M03	0C9234	BASE GUIDA ANT.SUPP.RADIATORE	SUPPORT FRONTAL	
42	50589C901	*	BASE GUIDA POST.RADIATORE	SUPPORT REAR	
43	855899Y00	0C7236	RIBALTA	GAS MANIFOLD	TOP 400
43	548879P00	0C8198	RIBALTA	GAS MANIFOLD	TOP 800
43	85589AP00	0C7148	RIBALTA	GAS MANIFOLD	TOP 1200
44	835875R00	0C7371	RUBINETTO GAS	GAS TAP	
44	835875R00	0C7371	RUBINETTO GAS	GAS TAP	Untill s/n 220 PDX2012-05
44	835875R01	0C8647	RUBINETTO GAS	GAS TAP	After s/n 221 PDX2012-05
44	835875Q01	0C6758	RUBINETTO GAS	GAS TAP	f, g, h, i, J
45	515860200	054979	OGIVA DA 12	DOUBLE CONE	
46	214111412	050670	DADO M 20 X 1,5	NUT	

**GRIGLIE GAS HP E900 XP
GAS CHARBROILER HP E900 XP**

<i>Pos</i>	<i>Factory Code</i>	<i>Spare Part Code</i>	<i>Descrizione</i>	<i>Description</i>	<i>Ref./Note</i>
47	214164400	052125	RACCORDO	JUNCTION	
48	215199700	052127	BICONO DIAM. 4	DOUBLE CONE DIAM. 4	
49					
50	51589A002	0C7172	CONDUTTURA BRUCIATORE PILOTA	PILOT PIPE	
51	80589AM00	0C7374	CONDUTTURA RUBINETTO-BRUC.	GAS PIPE GAS TAP-BURNER	
52	511805801	059375	PORTAUGELLO	INJECTOR HOLDER	
53	214105101	020997	CONTRODADO PORTAUGELLO	LOCK NUT	
54	85589A001	0C7372	BRUCIATORE PRINCIPALE	MAIN BURNER	
55	83089F601	0C7140	BRUCIATORE PILOTA	PILOT BURNER	
56	50689BF02	0C7155	SUPPORTO PILOTA	PILOT SUPPORT	
57	50689BD02	0C7154	CONTROSTAFFA PILOTA	PLATE FRO PILOT	
58	214164400	052125	RACCORDO M8X1 DIAM.4	CONNECTION M8X1	
59	515827401	053665	BICONO; DIA.4	DOUBLE CONE; DIA.4	
60	830852900	052814	TERMOCOPPIA; M9X1 L=60 CM	THERMOCOUPLE; M9X1, L=60 CM	
61	569807J00	0C7141	ELETTRODO DI ACCENSIONE	SPARK PLUG	
62	638883500	006514	CAVETTO DI ACCENSIONE	IGNITION CABLE	

A - Ugello bruciatore / Burner nozzle			
CODE	Spare part code	Ref. / Notes	
A05176000	058980	ø2.45	2H/2E+ G20 20mbar
A05158300	0A2081	Ø2.30	2H G20 25mbar
A05230100	056795	ø2.70	2ELL G25 20mbar
514895900	059529	ø2.55	2L G25 25mbar
514895900	059529	Ø2.55	2S G25.1 25 mbar
A05230300	0A2141	ø1.65	3+3B/P G30 30mbar
A05177600	0A2103	ø1.55	3B/P G30 37mbar
A05158800	0A2091	ø1.45	3B/P G30 50mbar
516832900	0C8699	ø5,60	11e G150 8mbar
514884600	059315	ø1.75	Propane KOREA
A05662000	0A5356	ø2.35	Methane KOREA

B - Vite di minimo / Min screw			
CODE	Spare part code	Ref. / Notes	
835837000	002993	Ø1.80	2H/2E+ G20 20mbar
835837000	002993	Ø1.80	2H G20 25mbar
835837000	002993	Ø1.80	2ELL G25 20mbar
835837000	002993	Ø1.80	2L G25 25mbar
835837000	002993	Ø1.80	2S G25.1 25 mbar
835820700	056742	Ø1,10	3+3B/P G30 30mbar
835802000	002392	Ø0.95	3B/P G30 37mbar
835802000	002392	Ø0.95	3B/P G30 50mbar
adjust / regolabile	*	*	11e G150 8mbar
835820700	056742	Ø1,10	Propane KOREA
835837000	002993	Ø1.80	Methane KOREA

C - Ugello Pilota / Burner nozzle			
CODE	Spare part code	Ref./ Notes	
830803600	058525	n°30	2H/2E+ G20 20mbar
830803600	058525	n°30	2H G20 25mbar
830803600	058525	n°30	2ELL G25 20mbar
830803600	058525	n°30	2L G25 25mbar
830803600	058525	n°30	2S G25.1 25 mbar
830803600	058525	n°20	3+3B/P G30 30mbar
A05447200	056799	n°20	3B/P G30 37mbar
A05447200	056799	n°20	3B/P G30 50mbar
A05414700	056798	n°70	11e G150 8mbar
A05447200	056799	n°20	Propane KOREA
830803600	058525	n°30	Methane KOREA