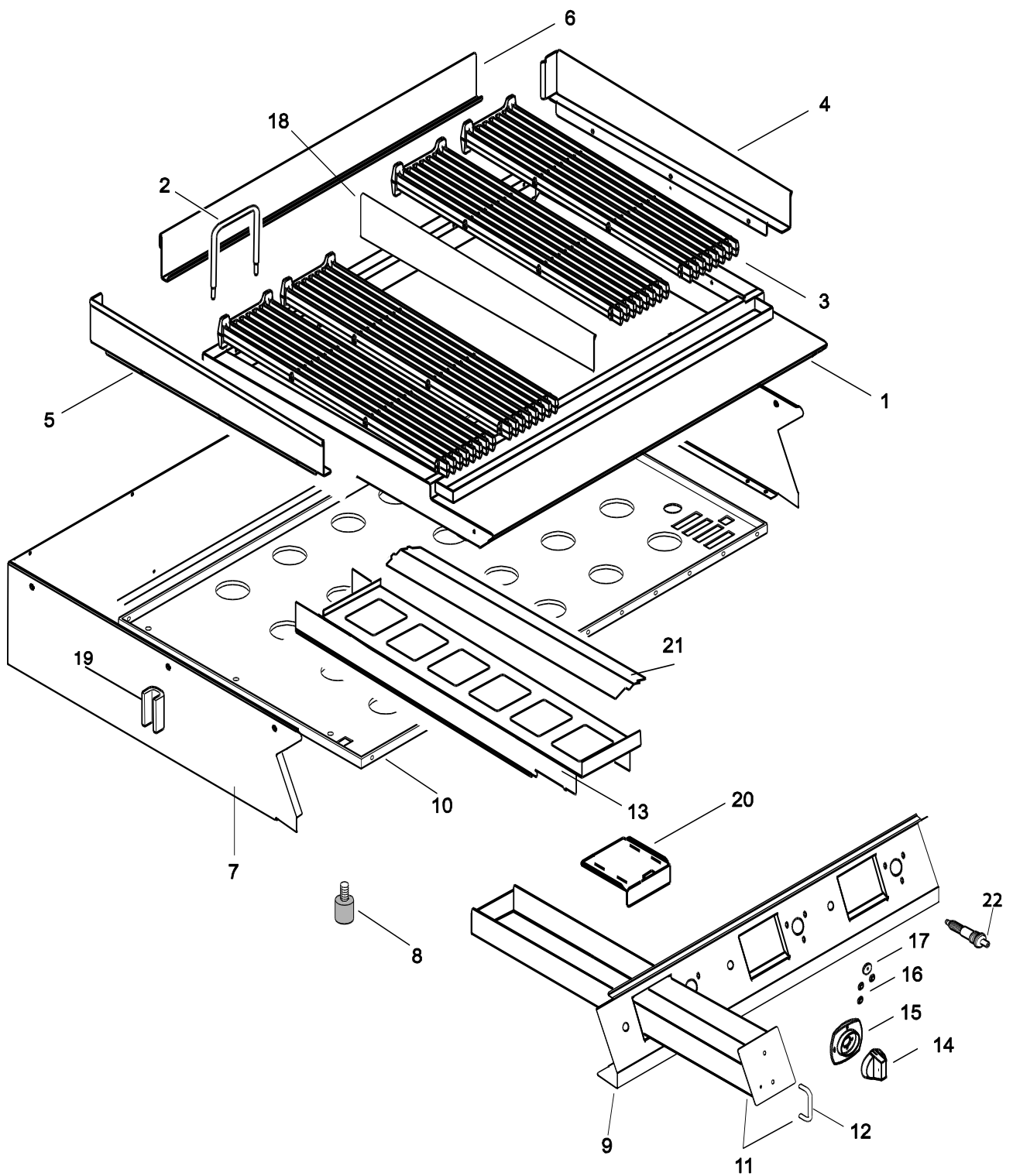
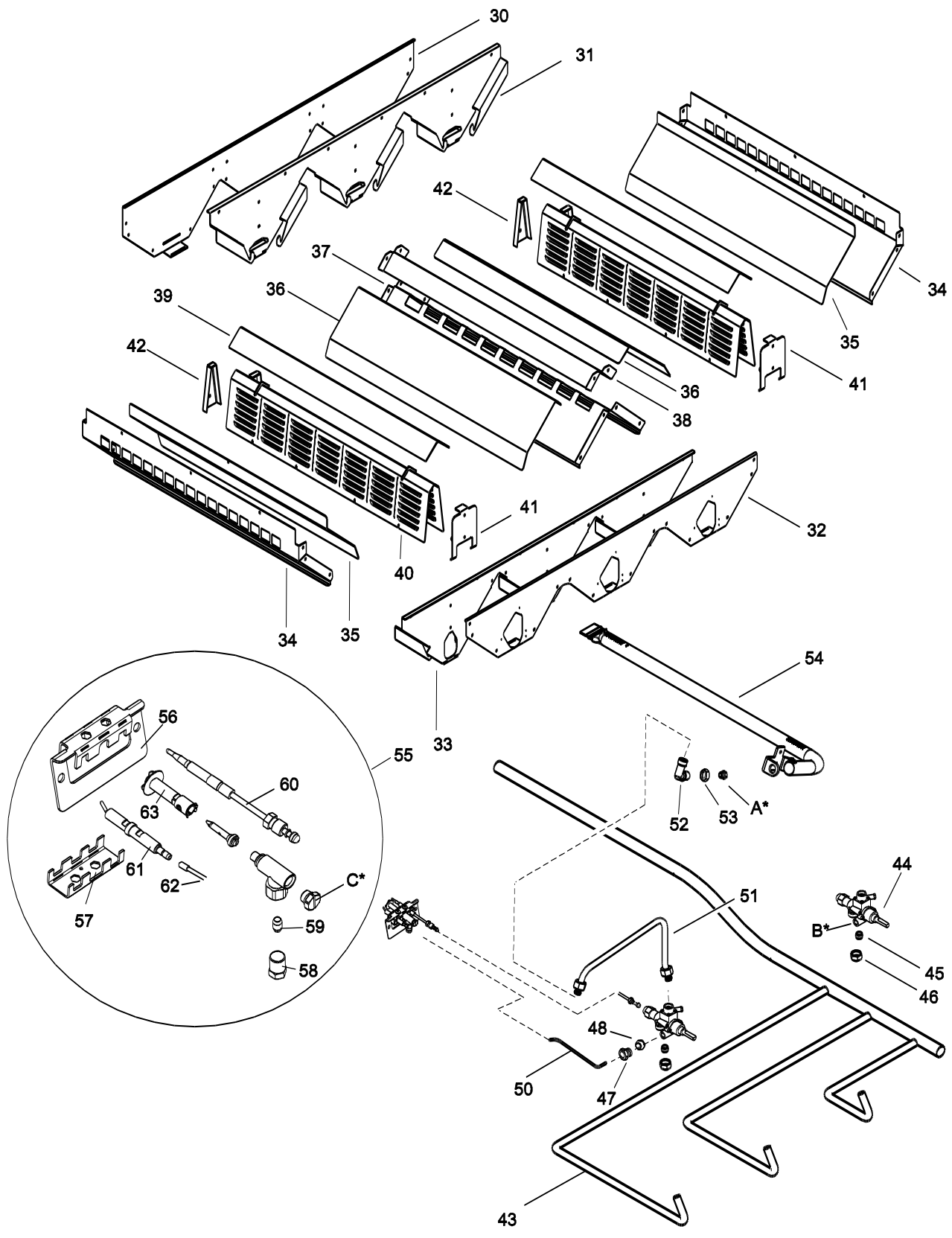


| PNC | Model | Pag | Brand | Ref | Description |
|--------|------------|-------|-------|-----|----------------|
| 391065 | E9GRGHGC0P | 2...6 | ELX | b | TOP HP 800 MM |
| 391066 | E9GRGLGC0P | 2...6 | ELX | c | TOP HP 1200 MM |
| 391186 | E9GRTDGC0P | 2...6 | ELX | f | TOP HP 400 MM |
| 391187 | E9GRTHGC0P | 2...6 | ELX | g | TOP HP 800 MM |
| 391188 | E9GRTLGC0P | 2...6 | ELX | h | TOP HP 1200 MM |
| 391219 | E9GRGDGCP | 2...6 | ELX | a | TOP HP 400 MM |
| 392065 | Z9GRGHGC0P | 2...6 | ZAN | e | TOP HP 800 MM |
| 392066 | Z9GRGLGC0P | 2...6 | ZAN | c | TOP HP 1200 MM |
| 392186 | Z9GRTDGC0P | 2...6 | ZAN | i | TOP HP 400 MM |
| 392187 | Z9GRTHGC0P | 2...6 | ZAN | J | TOP HP 800 MM |
| 392219 | Z9GRGDGCP | 2...6 | ZAN | d | TOP HP 400 MM |

| Pag | Index | Indice | Note |
|-------|-------------------|----------------------|------------------------------|
| 2 | General componets | Componenti struttura | |
| 3 | Gas components | Componenti Gas | |
| 4,5,6 | Spare parts list | Lista ricambi | |
| 7 | Nozzle | Ugelli | NEW: BURNER ASSEMBLY (PILOT) |

Brand/Marchio: All
 Factory code: 9PDX





**GRIGLIE GAS HP E900 XP
GAS CHARBROILER HP E900 XP**

| <i>Pos</i> | <i>Factory Code</i> | <i>Spare Part Code</i> | <i>Descrizione</i> | <i>Description</i> | <i>Ref./Note</i> |
|------------|---------------------|------------------------|-----------------------------|---------------------------|------------------------------|
| 1 | 85089AV00 | 0C7234 | RIPIANO | WORK TOP | ELX TOP 400 |
| 1 | 85089AW01 | 0C7137 | RIPIANO | WORK TOP | ELX TOP 800 |
| 1 | 85089BP00 | 0C7139 | RIPIANO | WORK TOP | ELX TOP 1200 |
| 1 | 85089JB00 | 0C7426 | RIPIANO | WORK TOP | ZAN TOP 400 |
| 1 | 85089HY00 | * | RIPIANO | WORK TOP | ZAN TOP 800 |
| 1 | 85089ML01 | 0CA576 | RIPIANO | WORK TOP | ZAN TOP 1200 |
| 2 | 511834900 | 0C6148 | MANIGLIA PER GRIGLIA | GRID HANDLE | |
| 3 | 510828601 | 0C7379 | GRIGLIA DI COTTURA IN GHISA | CAST IRON GRID | |
| 4 | 50389L201 | 0C7375 | PARASPRUZZI SINISTRO | LEFT SIDE SPLASHBACK | |
| 5 | 50389L301 | 0C7377 | PARASPRUZZI DESTRO | RIGHT SIDE SPLASHBACK | |
| 6 | 50389L000 | 0C7277 | PARASPRUZZI POSTERIORE | BACK SIDE SPLASHBACK | TOP 400 |
| 6 | 50389L101 | 0C7376 | PARASPRUZZI POSTERIORE | BACK SIDE SPLASHBACK | TOP 800 |
| 6 | 50389P701 | 0C7129 | PARASPRUZZI POSTERIORE | BACK SIDE SPLASHBACK | TOP 1200 |
| 7 | 85089DR00 | 0CA013 | FASCIA | EXTERNAL PANEL | ELX TOP 400 |
| 7 | 85089DS00 | 0C9625 | FASCIA | EXTERNAL PANEL | ELX TOP 800 |
| 7 | 85089DT00 | 0CA122 | FASCIA | EXTERNAL PANEL | ELX TOP 1200 |
| 7 | 85089DU00 | * | FASCIA | EXTERNAL PANEL | ZAN TOP 400 |
| 7 | 85089DV00 | 0C9937 | FASCIA | EXTERNAL PANEL | ZAN TOP 800 |
| 7 | 85089DW00 | 0CA575 | FASCIA | EXTERNAL PANEL | ZAN TOP 1200 |
| 8 | 315252601 | 026806 | PIEDINO | FOOT | |
| 9 | 85589D000 | 0C7384 | CRUSCOTTO | CONTROL PANEL | ELX TOP 400 |
| 9 | 85589AF01 | 0C7144 | CRUSCOTTO | CONTROL PANEL | ELX TOP 800 |
| 9 | 85589AN01 | 0C7145 | CRUSCOTTO | CONTROL PANEL | ELX TOP 1200 |
| 9 | 85589D200 | 0C7482 | CRUSCOTTO | CONTROL PANEL | ZAN TOP 400 |
| 9 | 85589CS00 | 0C7214 | CRUSCOTTO | CONTROL PANEL | ZAN TOP 800 |
| 10 | 50389KU00 | * | FONDO | | TOP 400 |
| 10 | 50389KV03 | * | FONDO | | TOP 800 |
| 10 | 50389P002 | * | FONDO | | TOP 1200 |
| 11 | 85089AX01 | 0C7380 | CASSETTO + MANIGLIA | DRAWER + HANDLE | |
| 12 | 50389CM01 | 0C6653 | MANIGLIA | HANDLE | |
| 13 | 50489FR02 | 0C7160 | SUPPORTO GUIDA CASSETTO | SUPPORT FOR DRAWER RUNNER | |
| 14 | 511850G01 | 0C6670 | MANOPOLA | KNOB | Untill s/n 220 PDX2012-05 |
| 14 | 54887AW00 | 0C8646 | MANOPOLA | KNOB | after s/n 221 PDX2012-05 |
| 14 | 548878001 | 0C7180 | MANOPOLA | KNOB | b, e, i, j |
| 15 | 548877X00 | 0C7178 | GHIERA | KNOB RING | |
| 15 | 548876S01 | 0C6671 | GHIERA | KNOB RING | f, g, h |
| 15 | 548879S00 | 0C7245 | GHIERA | KNOB RING | i, J |
| 15 | 54887A300 | 0C7938 | GHIERA | KNOB RING | d, e |

**GRIGLIE GAS HP E900 XP
GAS CHARBROILER HP E900 XP**

| <i>Pos</i> | <i>Factory Code</i> | <i>Spare Part Code</i> | <i>Descrizione</i> | <i>Description</i> | <i>Ref./Note</i> |
|------------|---------------------|------------------------|-------------------------------|-----------------------------|------------------------------|
| 16 | 218912211 | 069567 | MOLLETTA FISSAGGIO GHIERA | RING CONNECTION | |
| 17 | 541813800 | 0C6171 | RONDELLA IN SILICONE | WASHER; SILICONE | |
| 18 | 50489N100 | 0CA351 | DIVISORIO GRIGLIA | GRILL SEPARATOR | b, c, e, g, h, j |
| 19 | 516860702 | 0C0137 | PIASTRINA FISSAGGIO | PLATE FOR REAR JOINT | |
| 20 | 50489FS01 | 0C9019 | PROTEZIONE GUIDA CASSETTO | COVER FOR DRAWER GUIDE | |
| 21 | 50489GK02 | * | PROTEZIONE CASSETTO | COVER FOR DRAWER | |
| 22 | 835834900 | 002605 | ACCENDITORE PIEZO | PIEZOELECTRIC IGNICTER | |
| 30 | 50489JV00 | * | SCHERMO POSTERIORE | REAR SHIELD | TOP 400 |
| 30 | 50489FY02 | * | SCHERMO POSTERIORE | REAR SHIELD | TOP 800 |
| 30 | 50489H201 | * | SCHERMO POSTERIORE | REAR SHIELD | TOP 1200 |
| 31 | 050489JZ00 | * | SUPPORTO POSTERIORE SPECCHI | REAR SUPPORT FOR SHIELD | TOP 400 |
| 31 | 50489G201 | * | SUPPORTO POSTERIORE SPECCHI | REAR SUPPORT FOR SHIELD | TOP 800 |
| 31 | 50489H400 | * | SUPPORTO POSTERIORE SPECCHI | REAR SUPPORT FOR SHIELD | TOP 1200 |
| 32 | 50489JU00 | * | SCHERMO ANTERIORE | FRONT SHIELD | TOP 400 |
| 32 | 50489FW02 | * | SCHERMO ANTERIORE | FRONT SHIELD | TOP 800 |
| 32 | 50489H101 | * | SCHERMO ANTERIORE | FRONT SHIELD | TOP 1200 |
| 33 | 50489JY00 | * | SUPPORTO ANTERIORE SPECCHI | FRONT SUPPORT FOR SHIELD | TOP 400 |
| 33 | 50489G001 | * | SUPPORTO ANTERIORE SPECCHI | FRONT SUPPORT FOR SHIELD | TOP 800 |
| 33 | 050489H300 | * | SUPPORTO ANTERIORE SPECCHI | FRONT SUPPORT FOR SHIELD | TOP 1200 |
| 34 | 50489FW02 | * | PARETE LATERALE CAMERA COMB. | SIDE PANEL OF COMB. CHAMBER | |
| 35 | 50489G501 | * | SPECCHIO LATERALE | BACK SIDE SHIELD | |
| 36 | 50489G601 | * | SPECCHIO CENTRALE | CENTRAL SHIELD | |
| 37 | 50489G301 | * | SUPPORTO CENTRALE SPECCHI | CENTRAL SUPPORT FOR SHIELDS | |
| 38 | 50589CA00 | 0C9107 | COPPO CENTRALE | CENTRAL TILE | |
| 39 | 50489G801 | 0C7378 | TEGOLO | TILE | |
| 40 | 83089DL02 | 0C7235 | RADIATORE | RADIATOR | |
| 41 | 505899M03 | 0C9234 | BASE GUIDA ANT.SUPP.RADIATORE | SUPPORT FRONTAL | |
| 42 | 50589C901 | * | BASE GUIDA POST.RADIATORE | SUPPORT REAR | |
| 43 | 855899Y00 | 0C7236 | RIBALTA | GAS MANIFOLD | TOP 400 |
| 43 | 548879P00 | 0C8198 | RIBALTA | GAS MANIFOLD | TOP 800 |
| 43 | 85589AP00 | 0C7148 | RIBALTA | GAS MANIFOLD | TOP 1200 |
| 44 | 835875R00 | 0C7371 | RUBINETTO GAS | GAS TAP | |
| 44 | 835875R00 | 0C7371 | RUBINETTO GAS | GAS TAP | Untill s/n 220 PDX2012-05 |
| 44 | 835875R01 | 0C8647 | RUBINETTO GAS | GAS TAP | After s/n 221 PDX2012-05 |
| 44 | 835875Q01 | 0C6758 | RUBINETTO GAS | GAS TAP | f, g, h, i, j |
| 45 | 515860200 | 054979 | OGIVA DA 12 | DOUBLE CONE | |
| 46 | 214111412 | 050670 | DADO M 20 X 1,5 | NUT | |

**GRIGLIE GAS HP E900 XP
GAS CHARBROILER HP E900 XP**

| <i>Pos</i> | <i>Factory Code</i> | <i>Spare Part Code</i> | <i>Descrizione</i> | <i>Description</i> | <i>Ref./Note</i> |
|------------|---------------------|------------------------|----------------------------------|------------------------------|------------------|
| 47 | 214164400 | 052125 | RACCORDO | JUNCTION | |
| 48 | 215199700 | 052127 | BICONO DIAM. 4 | DOUBLE CONE DIAM. 4 | |
| 49 | | | | | |
| 50 | 51589A002 | 0C7172 | CONDUTTURA BRUCIATORE PILOTA | PILOT PIPE | |
| 51 | 80589AM00 | 0C7374 | CONDUTTURA RUBINETTO-BRUC. | GAS PIPE GAS TAP-BURNER | |
| 52 | 511805801 | 059375 | PORTAUGELLO | INJECTOR HOLDER | |
| 53 | 214105101 | 020997 | CONTRODADO PORTAUGELLO | LOCK NUT | |
| 54 | 85589A004 | 0C8637 | BRUCIATORE PRINCIPALE | MAIN BURNER | |
| 55 | 83089FB06 | 0CA783 | ASSIEME BRUCIATORE PILOTA | PILOT BURNER ASSEMBLY | |
| 56 | 50689BZ01 | * | SUPPORTO PILOTA | PILOT SUPPORT | |
| 57 | 50689C001 | * | CONTROSTAFFA PILOTA | PLATE FRO PILOT | |
| 58 | 214164400 | 052125 | RACCORDO M8X1 DIAM.4 | CONNECTION M8X1 | |
| 59 | 515827401 | 053665 | BICONO; DIA.4 | DOUBLE CONE; DIA.4 | |
| 60 | 830852900 | 052814 | TERMOCOPPIA; M9X1 L=60 CM | THERMOCOUPLE; M9X1, L=60 CM | |
| 61 | 569807J00 | 0C7141 | ELETTRODO DI ACCENSIONE | SPARK PLUG | |
| 62 | 638883500 | 006514 | CAVETTO DI ACCENSIONE | IGNITION CABLE | |
| 63 | 83089F601 | 0C7140 | ASSIEME PILOTA | PILOT ASSEMBLY | |

| A - Ugello bruciatore / Burner nozzle | | | | | |
|---------------------------------------|-----------------|--------------|--------|---------------|----------|
| CODE | Spare part code | Ref. / Notes | | | |
| A05176000 | 058980 | ø2.45 | 2H/2E+ | G20 20mbar | all |
| A05158300 | 0A2081 | Ø2.30 | 2H | G20 25mbar | except f |
| A05230100 | 056795 | ø2.70 | 2ELL | G25 20mbar | except f |
| 514895900 | 059529 | ø2.55 | 2L | G25 25mbar | except f |
| 514895900 | 059529 | Ø2.55 | 2S | G25.1 25 mbar | except f |
| A05230300 | 0A2141 | ø1.65 | 3+3B/P | G30 30mbar | abcdeij |
| A05177600 | 0A2103 | ø1.55 | 3B/P | G30 37mbar | except f |
| A05158800 | 0A2091 | ø1.45 | 3B/P | G30 50mbar | except f |
| 516832900 | 0C8699 | ø5.60 | 11e | G150 8mbar | fghij |
| 514884600 | 059315 | ø1.75 | | Propane KOREA | abcde |
| A05662000 | 0A5356 | ø2.35 | | Methane KOREA | abcde |

| B - Vite di minimo / Min screw | | | | | |
|--------------------------------|-----------------|--------------|--------|---------------|----------|
| CODE | Spare part code | Ref. / Notes | | | |
| 835837000 | 002993 | Ø1.80 | 2H/2E+ | G20 20mbar | all |
| 835837000 | 002993 | Ø1.80 | 2H | G20 25mbar | all |
| 835837000 | 002993 | Ø1.80 | 2ELL | G25 20mbar | all |
| 835837000 | 002993 | Ø1.80 | 2L | G25 25mbar | all |
| 835837000 | 002993 | Ø1.80 | 2S | G25.1 25 mbar | all |
| 835820700 | 056742 | Ø1,10 | 3+3B/P | G30 30mbar | abcdeij |
| 835802000 | 002392 | Ø0.95 | 3B/P | G30 37mbar | except f |
| 835802000 | 002392 | Ø0.95 | 3B/P | G30 50mbar | except f |
| adjust / regolabile | * | * | 11e | G150 8mbar | |
| 835820700 | 056742 | Ø1,10 | | Propane KOREA | abcdeij |
| 835837000 | 002993 | Ø1.80 | | Methane KOREA | all |

| C - Ugello Pilota / Burner nozzle | | | | | |
|-----------------------------------|-----------------|-------------|--------|---------------|---------|
| CODE | Spare part code | Ref./ Notes | | | |
| 830803600 | 058525 | n°30 | 2H/2E+ | G20 20mbar | all |
| 830803600 | 058525 | n°30 | 2H | G20 25mbar | all |
| 830803600 | 058525 | n°30 | 2ELL | G25 20mbar | all |
| 830803600 | 058525 | n°30 | 2L | G25 25mbar | all |
| 830803600 | 058525 | n°30 | 2S | G25.1 25 mbar | all |
| 830803600 | 058525 | n°20 | 3+3B/P | G30 30mbar | all |
| A05447200 | 056799 | n°20 | 3B/P | G30 37mbar | abcdeij |
| A05447200 | 056799 | n°20 | 3B/P | G30 50mbar | abcdeij |
| A05414700 | 056798 | n°70 | 11e | G150 8mbar | dfghij |
| A05447200 | 056799 | n°20 | | Propane KOREA | abcdeij |
| 830803600 | 058525 | n°30 | | Methane KOREA | all |