

FRIGGITRICI GAS 15L E900XP
GAS FRYERS 15L E900XP

PNC	Model	Ref	Brand	Version	Notes
391077	E9FRGD1GF0	a	ELX	1 WELL	1 BASKET
391078	E9FRGH2GF0	b	ELX	2 WELLS	2 BASKETS
391599	E9KKETBAMCI	a	ELX	1 WELL	1 BASKET
391630	E9KKETBAMEI	b	ELX	2 WELLS	2 BASKETS
392077	Z9FRGD1GF0	c	ZAN	1 WELL	1 BASKET
392078	Z9FRGH2GF0	d	ZAN	2 WELLS	2 BASKETS
392607	Z9KKETBAMCI	c	ZAN	1 WELL	1 BASKET
392608	Z9KKETBAMEI	d	ZAN	2 WELLS	2 BASKETS
393077	A9FRGD1GF0	e	OEM	1 WELL	1 BASKET
393078	A9FRGH2GF0	f	OEM	2 WELLS	2 BASKETS

Index

General components / Componenti struttura
 Gas components / Componenti gas
 Nozzles tables / Tabelle ugelli
 Spare parts list / Lista ricambi

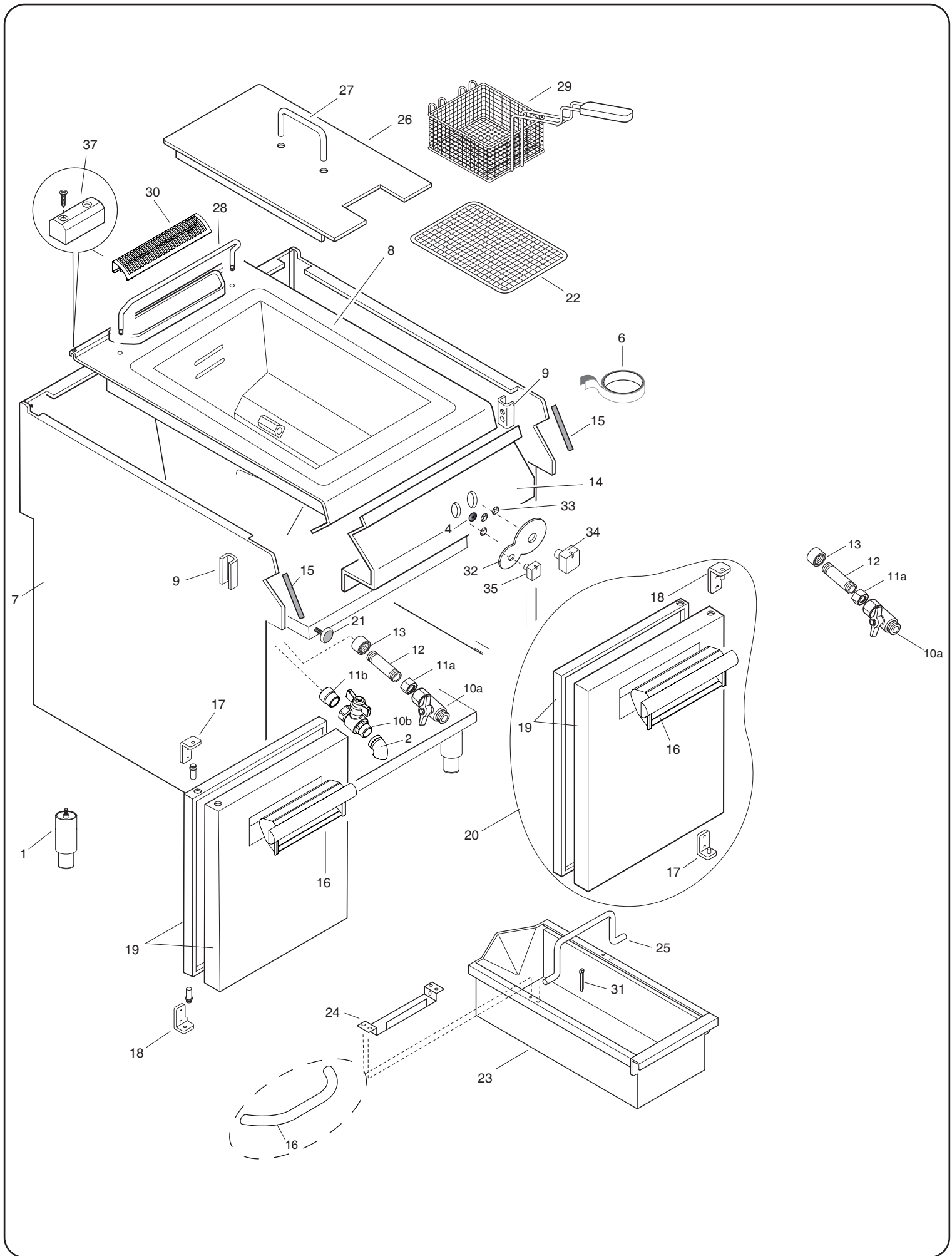
Page

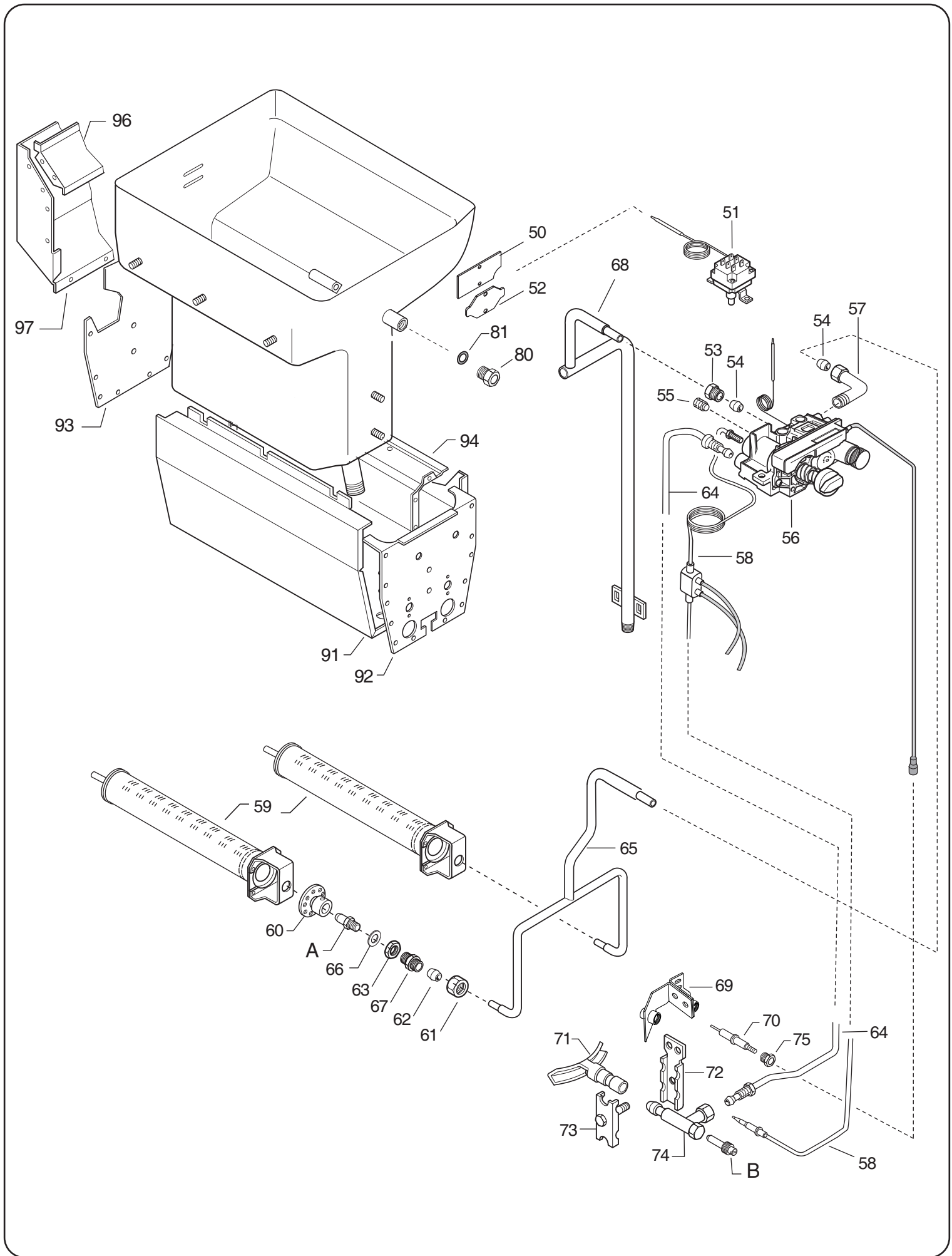
2
 3
 4
 5,6

Bold=last change / Grassetto =ultima modifica

Rev. 7

From Ser. Nr. 116 Up to Ser. Nr.	Ed. 2011-04 Updated 2024-08	Page: 1	Doc No:59785G100
-------------------------------------	--------------------------------	---------	-------------------------





A - Ugello bruciatore / Burner nozzle			
Spare Part Code	Reference / Notes		
004732	ø1.35	3+3B/P	G30 30mbar
004732	ø1.35	3B/P	G30 50mbar
004732	ø1.35	3B/P	G30 37mbar
0C0729	ø2.40	2H/2E/2Es	G20 20mbar
0C0729	ø2.40	2E(R)B	G20 25mbar
0C0730	ø2.65	2Ei	G25 25mbar
0C0730	ø2.65	2E(R)B	G25 25mbar
0C0730	ø2.65	2ELL	G25 20mbar
059363	ø2.50	2K	G25.3 25mbar
0C0730	ø2.65	2L	G25 25mbar
0C0730	ø2.65	2S	G25.1 25mbar
0C3079	ø6.25	no CE	G110 8mbar

B - Ugello pilota / Pilot nozzle			
Spare part Code	Ref./ Notes		
058525	n°30	3+3B/P	G30 30mbar
058525	n°30	3B/P	G30 50mbar
058525	n°30	3B/P	G30 37mbar
003327	n°40	2H/2E/2Es	G20 20mbar
003327	n°40	2E(R)B	G20 25mbar
003327	n°40	2Ei	G25 25mbar
003327	n°40	2E(R)B	G25 25mbar
003372	n°40	2ELL	G25 20mbar
003327	n°40	2K	G25.3 25mbar
003372	n°40	2L	G25 25mbar
003327	n°40	2S	G25.1 25mbar
/	adjust	no CE	G110 8mbar

FRIGGITRICI GAS 15L E900XP
GAS FRYERS 15L E900XP

Pos	Spare Code	Factory Code	Descrizione	Description	Ref./Notes
1	0C0204	835856900	PIEDE	FOOT	
2	0CB646	51489GM00	RACCORDO SCARICO	DRAIN CONNECTION	
4	0C6171	541813800	RONDELLA SILICONE	SILICONE WASHER	
6	*	147018088	ADESIVO STRUTTURALE	STRUCTURAL ADHESIVE	
7	0CA526	85089DY02	FASCIA 400mm	EXTERNAL PANEL 400mm	ELX
7	0C9010	85089DZ02	FASCIA 800mm	EXTERNAL PANEL 800mm	ELX
7	0CB643	85089F302	FASCIA 400mm	EXTERNAL PANEL 400mm	ZAN, OEM
7	0C8984	85089F402	FASCIA 800mm	EXTERNAL PANEL 800mm	ZAN, OEM
8	0C7486	87089AF01	RIPIANO / VASCA 400mm	WORKTOP / TANK 400mm	ELX
8	0C7487	87089AG01	RIPIANO / VASCA 800mm	WORKTOP / TANK 800mm	ELX
8	0C7499	87089C002	RIPIANO / VASCA 400mm	WORKTOP / TANK 400mm	ZAN, OEM
8	0C7500	87089C102	RIPIANO / VASCA 800mm	WORKTOP / TANK 800mm	ZAN, OEM
9	0C0156	527850500	PIASTRA FISSAGGIO FIANCHI	SIDE PANEL JOINTING PLATE	
10a	0A5439	835841201	VALVOLA SCARICO 1'	DRAIN VALVE 1'	Up to 28/2017
10b	005927	835848600	VALVOLA SCARICO 3/4'	DRAIN VALVE 3/4'	From 29/2017
11a	0C6805	511824800	CONNESSIONE 3/4'-1'	CONNECTION 3/4'-1'	Up to 28/2017
11b	0CB826	511851P00	NIPPLO 3/4" M/F	3/4" NIPPLE	From 29/2017
12	0C4913	513804700	PROLUNGA PER SCARICO	DRAIN EXTENSION	Up to 28/2017
13	0C0637	517863700	MANICOTTO 3/4' L.25	3/4' COUPLING	Up to 28/2017
14	0C7801	85589AG03	CRUSCOTTO 400mm	CONTROL PANEL 400mm	ELX 400mm
14	0C7514	87089HX02	CRUSCOTTO 400mm	CONTROL PANEL 400mm	ZAN 400mm
14		800838L01	CRUSCOTTO 400mm	CONTROL PANEL 400mm	OEM 400mm
14	0C7739	85589AH03	CRUSCOTTO 800mm	CONTROL PANEL 800mm	ELX 800mm
14	0C7515	87089HZ02	CRUSCOTTO 800mm	CONTROL PANEL 800mm	ZAN 800mm
14		800838M01	CRUSCOTTO 400mm	CONTROL PANEL 800mm	OEM 800mm
15	0C2496	543821900	GUARNIZIONE X CRUSCOTTO	GASKET, CONTROL PANEL	
16	0C7164	51589A700	MANIGLIA	HANDLE	ELX
16	0C8190	54887A802	MANIGLIA	HANDLE	ZAN
16	0A5021	854864203	MANIGLIA	HANDLE	OEM
17	0C0138	516860801	CERNIERA	HINGE, DOOR	
18	0C0139	516860901	CERNIERA	HINGE, DOOR	
19	0C7156	085089AA04	PORTA	DOOR	ELX, ZAN
19	0C8358	085089JX02	PORTA	DOOR	OEM
20	0C7163	085589CT03	ASSIEME PORTA (PORTA + MANIGLIA + CERNIERE)	DOOR ASSEMBLY (DOOR + HANDLE + HINGES)	ELX
20	0C7165	085589CU06	ASSIEME PORTA (PORTA + MANIGLIA + CERNIERE)	DOOR ASSEMBLY (DOOR + HANDLE + HINGES)	ZAN
20	0C7627	085589CV02	ASSIEME PORTA (PORTA + MANIGLIA + CERNIERE)	DOOR ASSEMBLY (DOOR + HANDLE + HINGES)	OEM
21	0C0201	830898200	MAGNETE PER PORTA	MAGNET, DOOR	
22	005932	830822500	GRIGLIA DI FONDO	GRATE FOR BOTTOM	
23	005922	502898403	BACINELLA PER OLIO	BASIN FOR BASIN	
25	005923	516843003	MANIGLIA BACINELLA	HANDLE, BASIN	
26	0C0639	529867900	COPERCHIO	LID	
27	0C0614	511819000	MANIGLIA COPERCHIO	HANDLE, LID	
28	0C0640	516862900	SUPPORTO PER CESTELLO	SUPPORT; BASKET	Up to 6221
28	0CA773	516862901	SUPPORTO PER CESTELLO	SUPPORT; BASKET	From 6231
29	005933	830822603	CESTELLO	BASKET	
30	0C7333	50389LP00	GRIGLIA CAMINO	CHIMNEY GRID	
31	0C0477	219293205	COPIGLIA	COTTER	

FRIGGITRICI GAS 15L E900XP
GAS FRYERS 15L E900XP

Pos	Spare Code	Factory Code	Descrizione	Description	Ref./Notes
32	0C7802	548877500	GHIERA	RING, KNOB	ELX
32	0C7484	548879800	GHIERA	RING, KNOB	ZAN, OEM
33	069567	218912211	MOLLA PER GHIERA	SPRING, RING KNOB	
34	0C7330	511850D01	MANOPOLA TERMOSTATO	THERMOSTAT KNOB	ELX
34	0C7179	548877Z01	MANOPOLA TERMOSTATO	THERMOSTAT KNOB	ZAN
34	0C5252	548872700	MANOPOLA TERMOSTATO	THERMOSTAT KNOB	OEM
35	0C2021	548863303	MANOPOLA ACCENDITORE	LIGHTER KNOB	ELX
35	0C7181	548878303	MANOPOLA ACCENDITORE	LIGHTER KNOB	ZAN
35	0C0190	548856603	MANOPOLA ACCENDITORE	LIGHTER KNOB	OEM
37	0C0137	516860700	PIASTRA GIUNZIONE APPARECC.	JOINTING REAR PLATE	
50	0C4748	569806300	ISOLANTE BULBO	SAFETY THERMOSTAT BULB INSULATION	
51	0C4279	646816500	LIMITATORE DI TEMPERATURA	SAFETY THERMOSTAT	
52	0C4749	527871901	SUPPORTO BULBO LIMITATORE	SAFETY TERM. BULB SUPPORT	
53	051950	514862501	RACCORDO 3/8"	3/8" PIPE FITTING	
54	050682	215170716	OGIVA	RING	
55	0C0625	516865800	TAPPO PER VALVOLA	STOPPER, VALVE	
56	0C5248	835859703	VALVOLA GAS	GAS VALVE	
57	0C0631	515863200	RACCORDO A "L"	L PIPE FITTING	
58	0C3162	831818901	TERMOCOPPIA; INTERROTTA	THERMOCOUPLE; INTERRUPTED	
59	005929	830822201	BRUCIATORE	BURNER	
60	054039	830828001	AERATORE	AERATOR	
61	041155	214108111	DADO	NUT	
62	060325	215073101	BICONO	DOUBLECONE	
63	020997	214105101	CONTRODADO	LOCK NUT	
64	0C0725	517873000	CONDUTTURA PILOTA	PIPE, PILOT	
65	0C0726	853858100	RIBALTA FRIGG.	MANIFOLD	
66	054029	506833401	GUARNIZIONE	GASKET	
67	054118	514829700	PORTAUGELLO	INJECTOR HOLDER	
68	0CB744	87089MZ00	ENTRATA GAS FRIGG.15L	GAS INLET 15L	
68	0CA801	87089MY00	ENTRATA GAS FRIGG.15+15L	GAS INLET 15+15L	
69	0C4365	831819400	SUPPORTO PILOTA	SUPPORT, PILOT	
70	0C7141	569807J00	ELETTRODO; ACCENSIONE	ELECTRODE	
71	0A5441	830819200	CANNELLO PILOTA	BLOW PIPE	
72	052256	206993500	STAFFA	BRACKET	
73	052246	206649700	STAFFA	BRACKET	
74	006725	835854800	PILOTA	PILOT BURNER	
75	057960	214164101	RACCORDO ELETTRODO	PIPE FITTING, ELECTRODE	
80	059295	514874500	RACCORDO	PIPE FITTING	
81	059293	543815000	GUARNIZIONE	GASKET	
91	0CA071	533820703	CAMERA DI COMBUSTIONE	COMBUSTION CHAMBER	
92	*	533820202	PARETE ANT. CAM. COMB.	FRONT PANEL	
93	*	533819902	PARETE POST. CAM. COMB.	REAR PANEL	
94	0CA391	533820503	DEFLETTORE/CONVOGLIATORE FUMI	DEFLECTOR/SMOKE CONVEYOR	
96	0CA392	533820301	PARETE ANT. CAMINO	FRONT CHIMNEY	
97	*	533820401	PARETE POST. CAMINO	REAR CHIMNEY	
*	0CB467	*	KIT MANUTENZIONE FRIGGITRICI GAS 15LT E900	E900 15LT GAS FRYER MAINTENANCE KIT	15LT (15+58+70+75+80+81+0C7190)
*	0CB468	*	KIT MANUTENZIONE FRIGGITRICI GAS 2x15LT E900	E900 2x15LT GAS FRYER MAINTENANCE KIT	2x15LT (15+2x58+2x70+2x75+2x80+2x81+2x0C7190)

FRIGGITRICI GAS 15L E900XP
GAS FRYERS 15L E900XP

Pos	Spare Code	Factory Code	Descrizione	Description	Ref./Notes