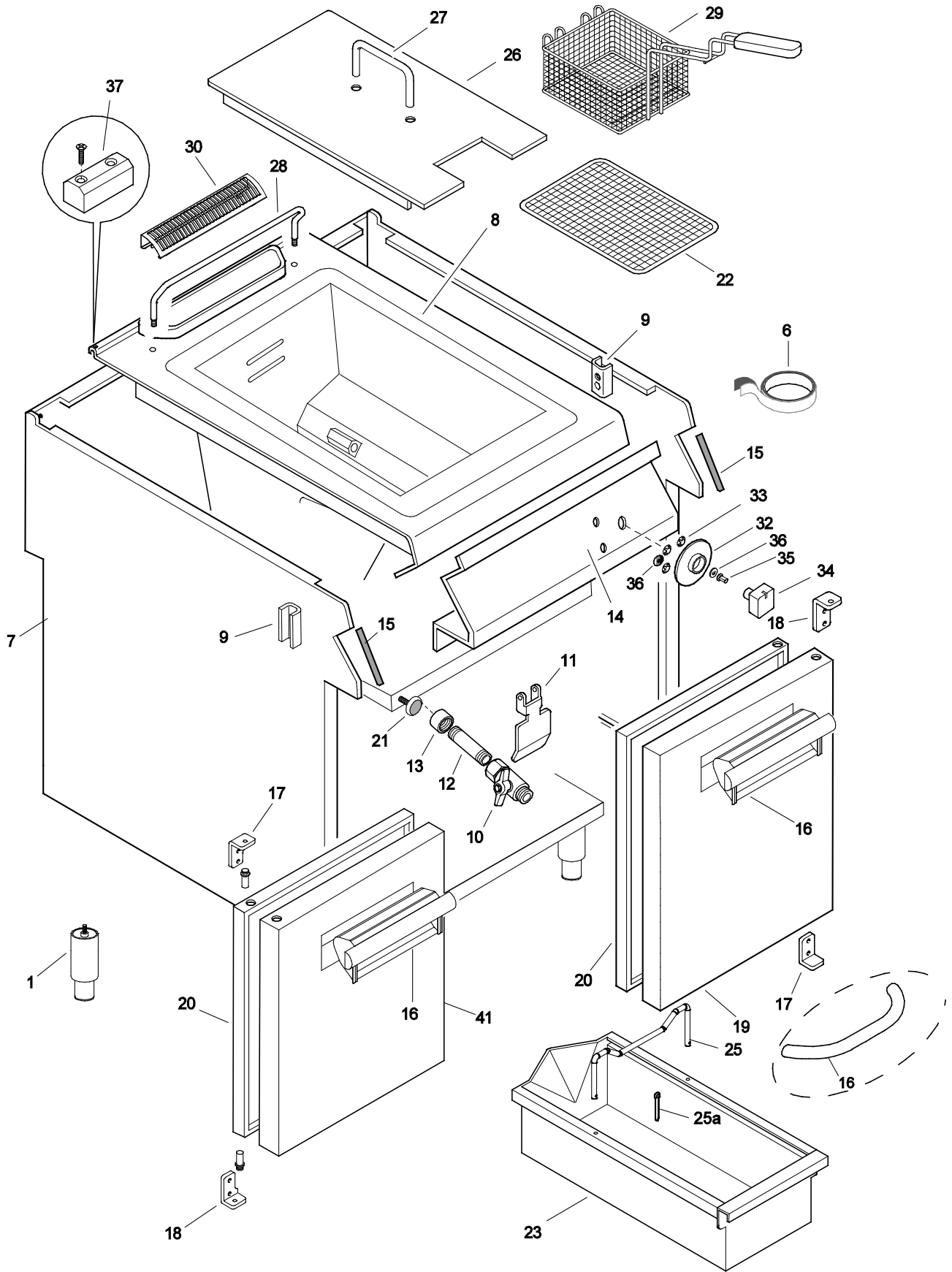


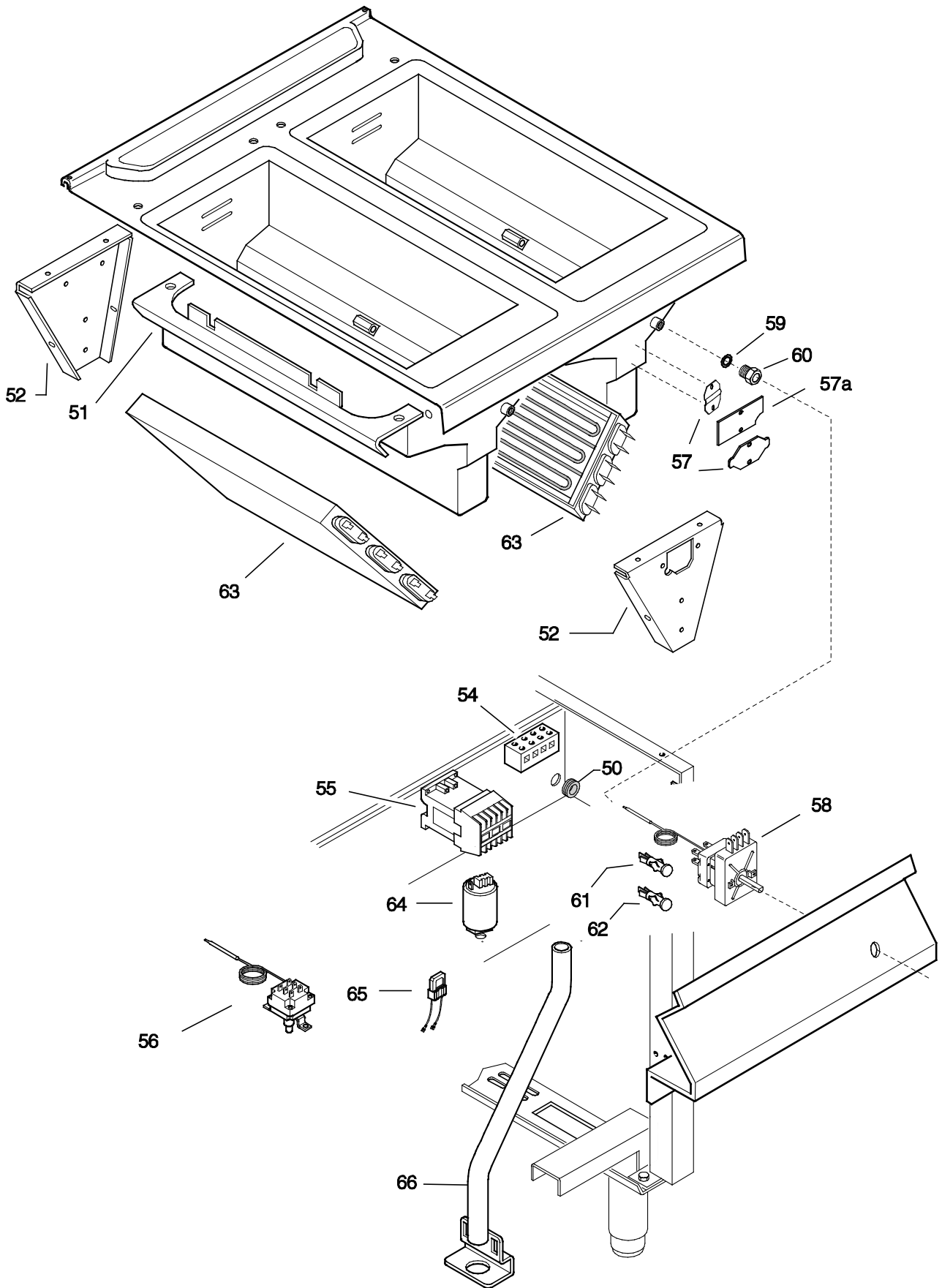
**FRIGGITRICI ELETTRICHE 15L E900XP**  
**ELECTRIC FRYERS 15L E900XP**

PNC	Model	Ref	Pag.	Brand	Version	Notes
391087	E9FRED1GF0	a	2,3	ELX	EL	15LT - 1 WELL+1 BASKET
391088	E9FREH2GF0	b	2,3	ELX	EL	15+15LT - 2 WELLS+2 BASKETS
392087	Z9FRED1GF0	c	2,3	ZAN	EL	15LT - 1 WELL+1 BASKET
392088	Z9FREH2GF0	d	2,3	ZAN	EL	15+15LT - 2 WELLS+2 BASKETS
393087	A9FRED1GF0	e	2,3	OEM	EL	15LT - 1 WELL+1 BASKET
393088	A9FREH2GF0	f	2,3	OEM	EL	15+15LT - 2 WELLS+2 BASKETS

Pag	Index	Indice	Note
2	General componets	Componenti struttura	
3	Electric Components	Componenti elettrici	
4,5	Spare parts list	Lista ricambi	

Brand/Marchio: All  
Factory code: 9PDX





**FRIGGITRICI ELETTRICHE 15L E900 XP**  
**ELECTRIC FRYERS 15L E900 XP**

Pos	Spare Part Code	Factory Code	Descrizione	Description	Ref./Note
			<b>Pagina 2</b>	<b>Page 2</b>	
1	0C0204	835856900	PIEDE	FOOT	
2					
3					
4					
5					
6	0C1289	147018088	ADESIVO STRUTTURALE	STRUCTURAL ADHESIVE	
7		85089DY00	FASCIA 400mm	EXTERNAL PANEL 400mm	ELX
7		85089DZ00	FASCIA 800mm	EXTERNAL PANEL 800mm	ELX
7		85089F300	FASCIA 400mm	EXTERNAL PANEL 400mm	ZAN, OEM
7		85089F400	FASCIA 800mm	EXTERNAL PANEL 800mm	ZAN, OEM
8	0C7496	87089AT00	RIPIANO / VASCA 400mm	WORKTOP / TANK 400mm	ELX
8	0C7489	87089AK00	RIPIANO / VASCA 800mm	WORKTOP / TANK 800mm	ELX
8	0C7501	87089C200	RIPIANO / VASCA 400mm	WORKTOP / TANK 400mm	ZAN, OEM
8	0C7502	87089C300	RIPIANO / VASCA 800mm	WORKTOP / TANK 800mm	ZAN, OEM
9	0C0156	527850500	PIASTRA FISSAGGIO FIANCHI	SIDE PANEL JOINTING PLATE	
10	005927	835848600	VALVOLA SCARICO	DRAIN VALVE	
11	0C0635	528823000	SPORTELLO	FLAP	
12	0C4913	513804700	PROLUNGA PER SCARICO	DRAIN EXTENSION	
13	0C0637	517863700	MANICOTTO	COUPLING	
14	0C7740	85589AK00	CRUSCOTTO 400mm	CONTROL PANEL 400mm	ELX
14	0C7741	85589AL00	CRUSCOTTO 800mm	CONTROL PANEL 800mm	ELX
14	0C7517	87089J600	CRUSCOTTO 400mm	CONTROL PANEL 400mm	ZAN
14	0C7516	87089J100	CRUSCOTTO 800mm	CONTROL PANEL 800mm	ZAN
14	*	50389N800	CRUSCOTTO 400mm	CONTROL PANEL 400mm	OEM
14	*	50389N900	CRUSCOTTO 800mm	CONTROL PANEL 800mm	OEM
15	0L0113	543821900	GUARNIZIONE X CRUSCOTTO	GASKET, CONTROL PANEL	
16	0C7164	51589A700	MANIGLIA	HANDLE	ELX
16	0C8190	54887A800	MANIGLIA	HANDLE	ZAN
16	0A5021	854864203	MANIGLIA	HANDLE	OEM
17	0C0138	516860801	CERNIERA	HINGE, DOOR	
18	0C0139	516860901	CERNIERA	HINGE, DOOR	
19	0C7157	50389G300	PORTA	DOOR	ELX, ZAN
19	*	50389MB01	PORTA	DOOR	OEM
20	0C7158	50489CQ00	CONTROPORTA	INNER DOOR	
*	0C7163	85589CT01	ASSIEME PORTA	PORTA COMPLETE	ELX
*	0C7165	85589CU02	ASSIEME PORTA	PORTA COMPLETE	ZAN
*	0C7627	85589CV00	ASSIEME PORTA	PORTA COMPLETE	OEM
21	0C0201	830898200	MAGNETE PER PORTA	MAGNET, DOOR	
22	005932	830822500	GRIGLIA DI FONDO	GRATE FOR BOTTOM	
23	005922	502898403	BACINELLA PER OLIO	BASIN FOR BASIN	
25	005923	516843003	MANIGLIA BACINELLA	HANDLE, BASIN	
25a	0C0477	219293205	COPIGLIA	COTTER	
26	0C0639	529867900	COPERCHIO	LID	
27	0C0614	511819000	MANIGLIA COPERCHIO	HANDLE, LID	
28	0C0640	516862900	SUPPORTO PER CESTELLO	SUPPORT; BASKET	
29	005933	830822600	CESTELLO	BASKET	
30	0C7333	50389LP00	GRIGLIA CAMINO	GRID	
31					
32	0C7481	548877L00	GHIERA	RING, KNOB	ELX
32	0C7485	548879W00	GHIERA	RING, KNOB	ZAN, OEM
33	069567	218912211	MOLLA PER GHIERA	SPRING, RING KNOB	
34	0C6670	511850G01	MANOPOLA	KNOB	ELX
34	0C7232	548878201	MANOPOLA	KNOB	ZAN
34	0A5621	548865500	MANOPOLA	KNOB	OEM
35	0C7345	548877V00	ADATTATORE MANOPOLA	KNOB ADAPTER	ELX
36	0C6171	541813800	RONDELLA SILICONE	SILICONE WASHER	
37	0C0137	516860700	PIASTRA GIUNZIONE APPARECC.	JOINTING REAR PLATE	

**FRIGGITRICI ELETTRICHE 15L E900 XP**  
**ELECTRIC FRYERS 15L E900 XP**

<i>Pos</i>	<i>Spare Part Code</i>	<i>Factory Code</i>	<i>Descrizione</i>	<i>Description</i>	<i>Ref./Note</i>
			<b>Pagina 3</b>	<b>Page 3</b>	
50	050180	246520500	PASSACAVO	GROMMET	
51	*	528850400	FISSAGGIO SUPERIORE RESISTENZE	TOP FIXING PLATE HEAT.ELEMENT	
52	*	505899E00	SUPPORTO RESISTENZA	SUPPORT, HEAT.ELEMENT	
53					
54	058613	A05714000	MORSETTIERA	TERMINAL BOARD	
55	006879	648807400	CONTATTORE	CONTACTOR	
56	0C4463	646816600	LIMITATORE DI TEMPERATURA	SAFETY THERMOSTAT	
57	0C4749	527871901	SUPPORTO BULBO LIMITATORE	SAFETY TERM. BULB SUPPORT	
57a	0C4748	569806300	ISOLANTE BULBO	SAFETY THERMOSTAT BULB INSULATION	
58	052330	446578713	INTERRUTTORE CON TERMOSTATO	SWITCH WITH THERMOSTAT	
59	059293	543815000	GUARNIZIONE PER BULBO	GASKET, BULBO THERMOSTAT	
60	059295	514874500	RACCORDO PER BULBO	PIPE FITTING, BULB THERMOSTAT	
61	005010	876800002	LAMPADA SPIA VERDE	PILOT LAMP; GREEN	
62	005011	876800102	LAMPADA SPIA GIALLA	PILOT LAMP; YELLOW	
63	005942	617821403	RESISTENZA; 5000 W-230V	HEATING ELEMENT; 5000 W-230V	
64	049303	694605400	FILTRO RFI; TRIFASE	RADIO INTERFERENCE FILTER	400 MM
65	003551	694801500	SNUBBER	SNUBBER	
66	*	85589C200	ENTRATA CAVO ELETT. 800mm	ELECT. CABLE INLET 800mm	800 MM