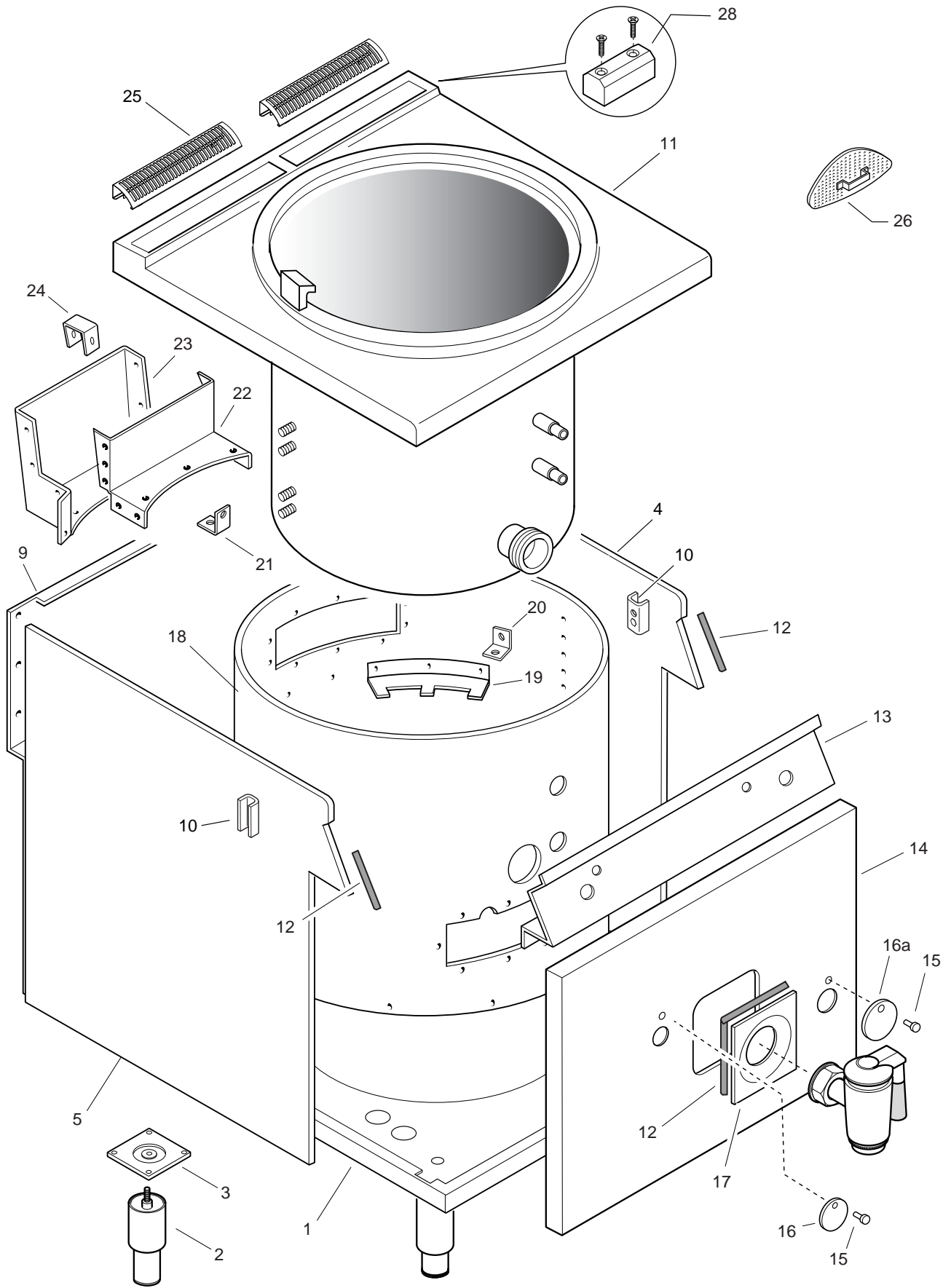
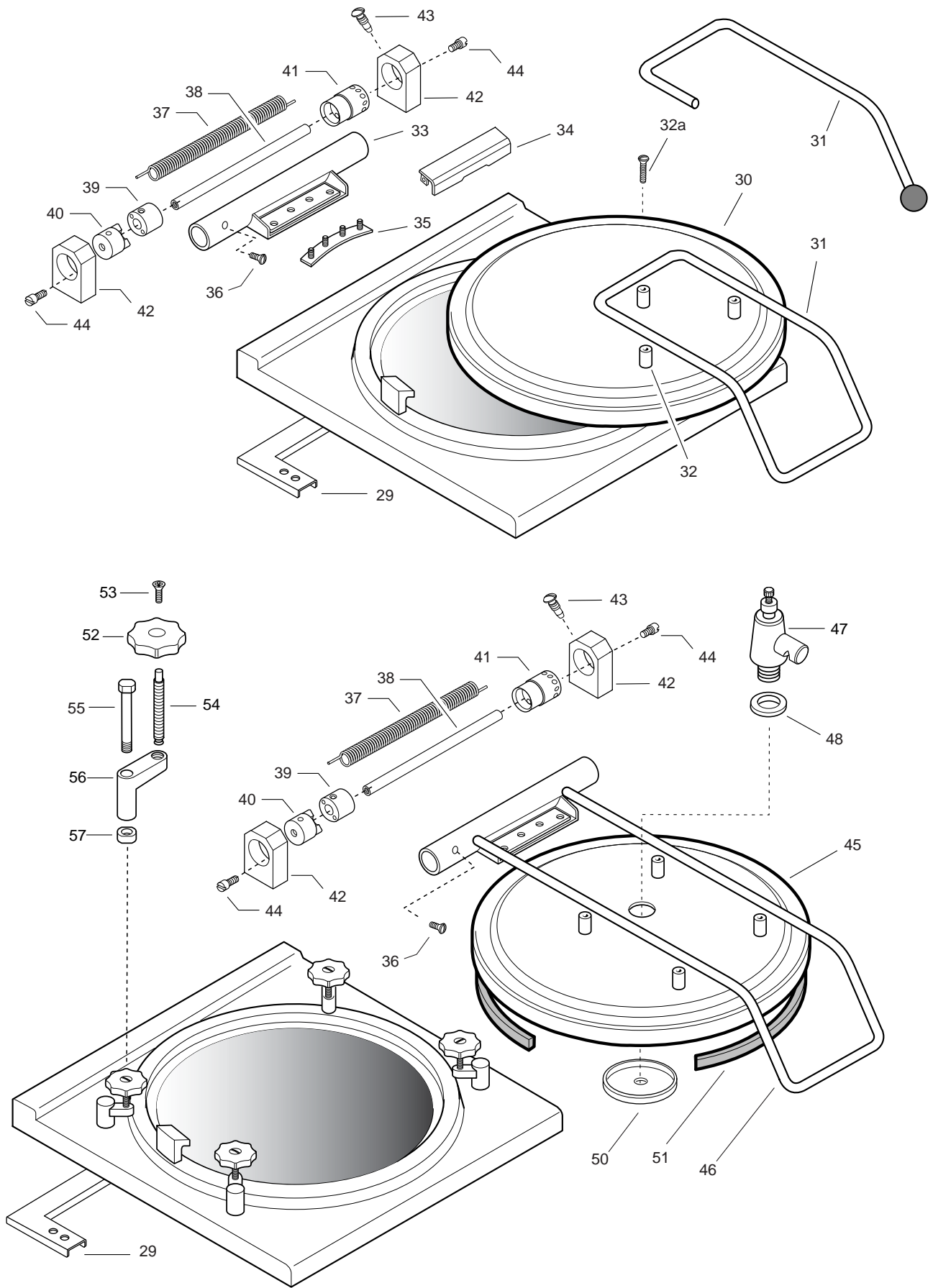


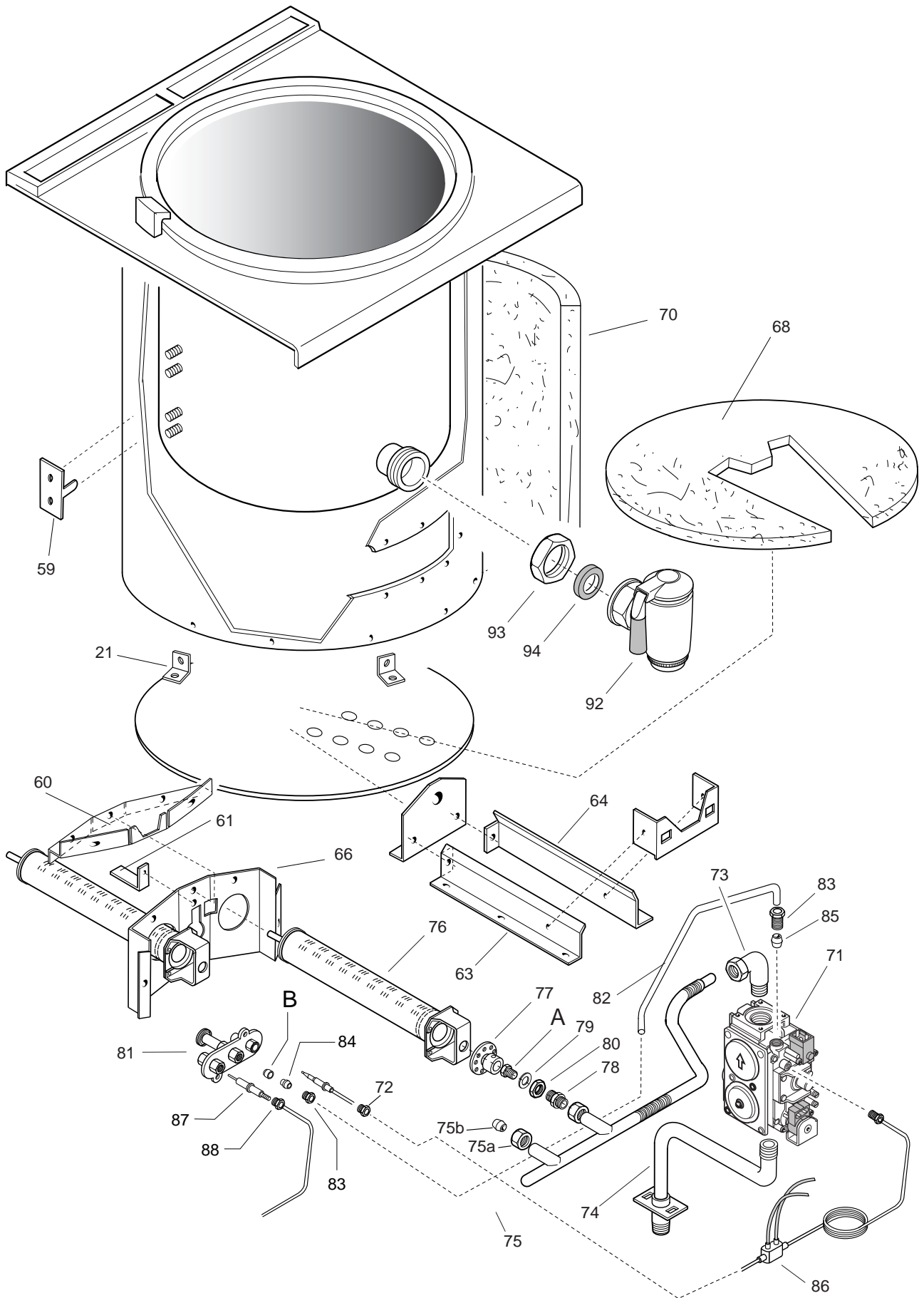
| PNC | Model | Ref | Pag. | Brand | Version | Notes |
|--------|------------|-----|-------|-------|---------|-----------------|
| 391106 | E9BSGHDPF0 | a | 1...6 | ELX | GAS | 100LT |
| 391107 | E9BSGHDRF0 | b | 1...6 | ELX | GAS | 150LT |
| 392106 | Z9BSGHDPF0 | c | 1...6 | ZAN | GAS | 100LT |
| 392107 | Z9BSGHDRF0 | d | 1...6 | ZAN | GAS | 150LT |
| 392108 | Z9BSGHDRFC | e | 1...6 | ZAN | GAS | 150LT AUTOCLAVE |
| 393106 | A9BSGHDPF0 | f | 1...6 | OEM | GAS | 100LT |
| 393107 | A9BSGHDRF0 | g | 1...6 | OEM | GAS | 150LT |

| Pag | Index | Indice | Note |
|-------|-----------------------|----------------------|------|
| 2 | General components | Componenti struttura | |
| 3 | Cover components | Componenti coperchio | |
| 4 | Gas components | Componenti Gas | |
| 5 | Pilot / Burner Nozzle | Tabelle ugelli | |
| 6 | Electric components | Componenti elettrici | |
| 7,8,9 | Spare parts list | Lista ricambi | |

Brand/Marchio: All
 Factory code: 9PDX



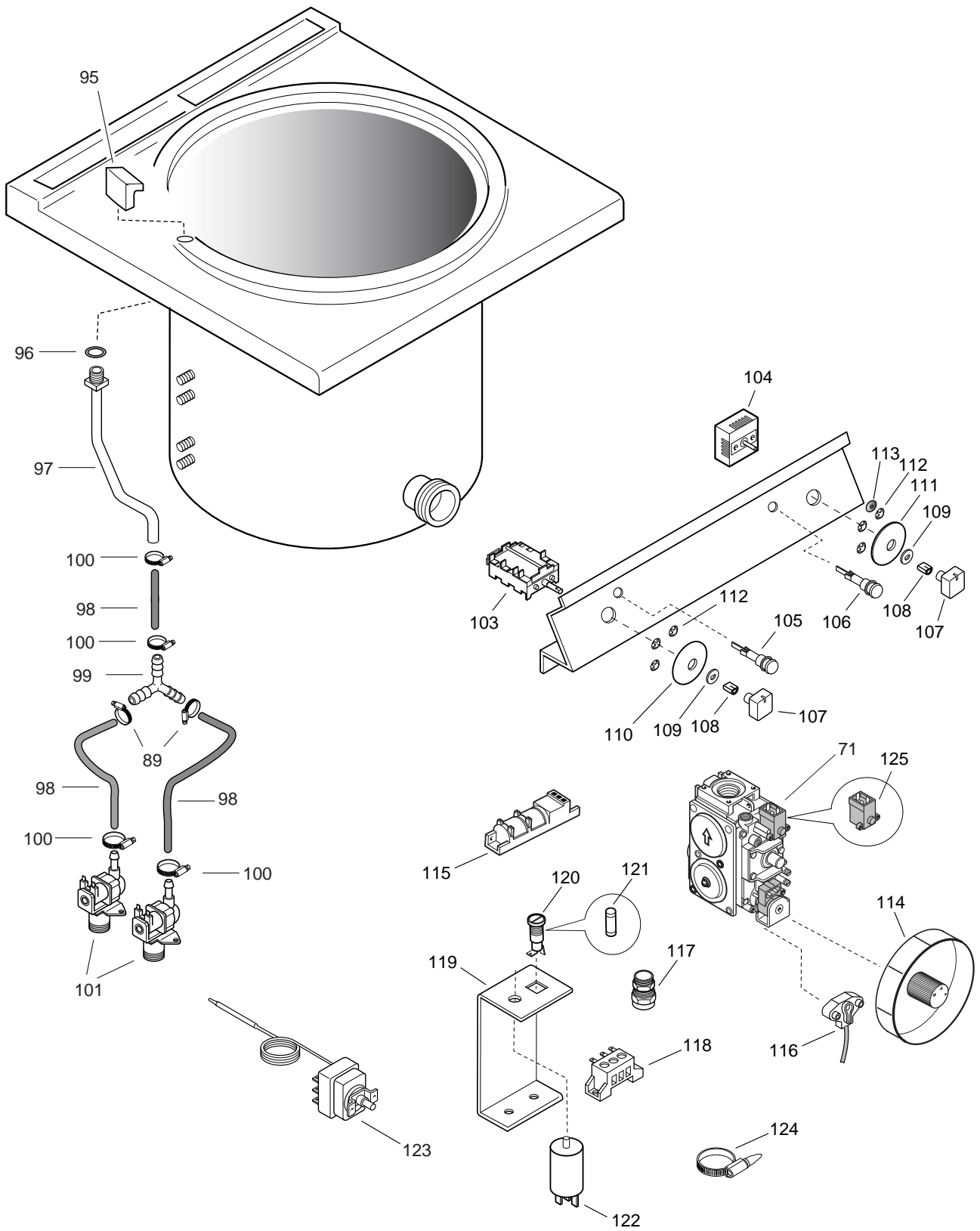




| A - Ugello bruciatore / Burner nozzle 100LT | |
|--|----------------------------------|
| 6DGT Code | Ref. / Notes |
| 059363 | ø2.50 2H/2E+ G20 20mbar |
| 0C0747 | ø2.70 2ELL G25 20mbar |
| 002268 | ø2.60 2L G25 25mbar |
| 054127 | ø1.65 3+3B/P G30/31 28-30/37mbar |
| 056470 | ø1.45 3B/P G30/31 50mbar |
| 054034 | ø3.00 No CE G20 10mbar |

| A - Ugello bruciatore / Burner nozzle 150LT | |
|--|----------------------------------|
| 6DGT Code | Ref. / Notes |
| 002268 | ø2.60 2H/2E+ G20 20mbar |
| 006419 | ø2.90 2ELL G25 20mbar |
| 003371 | ø2.75 2L G25 25mbar |
| 003723 | ø1.75 3+3B/P G30/31 28-30/37mbar |
| 003722 | ø1.55 3B/P G30/31 50mbar |
| 054084 | ø3.00 No CE G20 10mbar |

| B - Ugello pilota / Pilot nozzle | |
|---|---------------------------------|
| 6DGT Code | Ref./ Notes |
| 053670 | n°41 2H/2E+ G20 20mbar |
| 053670 | n°41 2ELL G25 20mbar |
| 053670 | n°41 2L G25 25mbar |
| 053667 | n°30 3+3B/P G30/31 28-30/37mbar |
| 053667 | n°30 3B/P G30/31 50mbar |
| 053670 | n°41 No CE G20 10mbar |



PENTOLE GAS DIRETTE 100/150Lt E900XP
GAS BOILING PAN DIRECT HEATING 100/150Lt E900XP

| Pos | Factory Code | 6DGT Code | Descrizione | Description | Ref./Note |
|-----|--------------|-----------|-----------------------------------|--------------------------------|-----------|
| | | | Pagina 2 | Page 2 | |
| 1 | 050489KC00 | * | FONDO PENTOLA DIR. GAS 100Lt | BOTTOM PANEL 100Lt | 100 LT |
| 1 | 050489KD00 | * | FONDO PENTOLA DIR. GAS 150Lt | BOTTOM PANEL 150Lt | 150 LT |
| 2 | 0835856900 | 0C0204 | PIEDE | FOOT | |
| 3 | 050589CD00 | * | PIASTRA DI RINFORZO PER PIEDI | PLATE FOR FOOT | |
| 4 | 085089JC00 | | FIANCO DESTRO | LEFT PANEL | ELX |
| 4 | 085089JF00 | | FIANCO DESTRO | LEFT PANEL | ZAN, OEM |
| 5 | 085089JD00 | | FIANCO SINISTRO | RIGHT PANEL | ELX |
| 5 | 085089JG00 | | FIANCO SINISTRO | RIGHT PANEL | ZAN, OEM |
| 6 | | | | | |
| 7 | | | | | |
| 8 | 0147018088 | 0C1289 | ADESIVO STRUTTURALE | STRUCTURAL ADHESIVE TAPE | |
| 9 | 0538844801 | | SCHIENALE MONOBLOCCO 800 | REAR PANEL 800 | |
| 10 | 0527850500 | 0C0156 | PIASTRA FISSAGGIO FIANCHI | SIDE PANEL JOINTING PLATE | |
| 11 | 087089B500 | 0C7542 | RIPIANO PENT. DIR. 100Lt. | WORKTOP / TANK 100Lt | ELX |
| 11 | 087089B400 | 0C7541 | RIPIANO PENT. DIR. 150Lt. | WORKTOP / TANK 150Lt | ELX |
| 11 | 087089FP00 | 0C7550 | RIPIANO PENT. DIR. 100Lt. | WORKTOP / TANK 100Lt | ZAN, OEM |
| 11 | 087089FQ00 | 0C7551 | RIPIANO PENT. DIR. 150Lt. | WORKTOP / TANK 150Lt | ZAN, OEM |
| 11 | 087089FR00 | 0C7552 | RIPIANO PENT. DIR. 150Lt. AUTOCL. | WORKTOP / TANK 150Lt AUTOCLAVE | ZAN |
| 12 | 0543821900 | 0C2496 | GUARNIZIONE | GASKET | |
| 13 | 085089BR00 | 0C7536 | CRUSCOTTO | CONTROL PANEL | ELX |
| 13 | 087089GX00 | 0C7560 | CRUSCOTTO | CONTROL PANEL | ZAN |
| 13 | 050389PT00 | 0C8059 | CRUSCOTTO | CONTROL PANEL | OEM |
| 14 | 050389XZ00 | 0C8053 | PANNELLO FRONTALE 100 L | FRONT PANEL BOIL.PAN 100Lt | 100 LT |
| 14 | 050389Y000 | 0C7806 | PANNELLO FRONTALE 150 L | FRONT PANEL BOIL.PAN 150Lt | 150 LT |
| 15 | 0214473001 | 026187 | PERNO FISSAGGIO SPORTELLINO | PIN, DOOR INSPECTION HOLE | |
| 16 | 0508837201 | 002534 | SPORTELLINO, FORO D'ISPEZIONE | DOOR, INSPECTION HOLE | |
| 16a | 0527843000 | 0C1563 | SPORTELLINO, VALVOLA GAS | DOOR, GAS VALVE | |
| 17 | 0529845500 | 0C0709 | PANNELLINO RUBINETTONE | PANEL, DRAIN TAP | 150 LT |
| 18 | 0524882701 | | TAMBURO FUMI 100Lt. | JACKET, COMBUSTION 100Lt | 100 LT |
| 18 | 0524882501 | | TAMBURO FUMI 150Lt. | JACKET, COMBUSTION 150Lt | 150 LT |
| 19 | 0528820403 | * | ANELLO CHIUSURA FUMI | RING, FLUE CONDENSER | |
| 20 | | | | | |
| 21 | 0508818601 | 0C0814 | SQUADRETTA SUPPORTO CAMINO | BRACKET, CHIMNEY SUPPORT | |
| 22 | 0524884902 | * | ELEMENTO ANT. CAMINO 100Lt | FRONT WALL CHIMNEY 100Lt | 100 LT |
| 22 | 0524883002 | * | ELEMENTO ANT. CAMINO 150Lt | FRONT WALL CHIMNEY 150Lt | 150 LT |
| 23 | 0524885001 | * | ELEMENTO POST. CAMINO 100Lt | BACK WALL CHIMNEY 100Lt | 100 LT |
| 23 | 0524883101 | * | ELEMENTO POST. CAMINO 150Lt | BACK WALL CHIMNEY 150Lt | 150 LT |
| 24 | 0527841202 | * | DISTANZIALE PER CAMINO | SPACER, CHIMNEY | |
| 25 | 050389LP00 | 0C7333 | GRIGLIA PER CAMINO | GRID FOR CHIMNEY | ELX |
| 25 | 0538841900 | 0C5624 | GRIGLIA PER CAMINO | GRID FOR CHIMNEY | ZAN, OEM |
| 26 | 0310122725 | 027114 | GRIGLIA DI SCARICO | DRAIN GRID | |
| 27 | | | | | |
| 28 | 0516860702 | 0C0137 | PIASTRINA PER GIUNZIONE | JOINTING REAR PLATE | |
| | | | Pagina 3 | Page 3 | |
| 29 | 0800833300 | 0C0713 | RINFORZO PER CERNIERA | REINFORCEMENT, HINGE | |
| 30 | 0873838102 | 0C0714 | COPERCHIO PENTOLA | LID, BOILING PAN | |
| 31 | 0853891400 | 0C2072 | MANIGLIA PENTOLA | HANDLE, LID | ELX |
| 31 | 0517876502 | 0C0691 | MANIGLIA PENTOLA | HANDLE, LID | ZAN, OEM |
| 32 | 0517856900 | 004468 | DISTANZIALE PER MANIGLIA | SPACER FOR HANDLE | |
| 32a | 0217223605 | 0C0950 | VITE PER DISTANZIALE | SCREW, SPACER | |
| 33 | 0800814505 | 006181 | SUPPORTO COPERCHIO | SUPPORT, LID | |
| 34 | 0800823302 | 006902 | COPERTURA SUPPORTO | COVERING, SUPPORT | |
| 35 | 0805878802 | 006925 | RINFORZO COPERCHIO | REINFORCEMENT, LID | |
| 36 | 0217224125 | 0C2776 | VITE FERMO MOLLA / CERNIERA | SCREW, SPRING LOCK | |

PENTOLE GAS DIRETTE 100/150Lt E900XP
GAS BOILING PAN DIRECT HEATING 100/150Lt E900XP

| <i>Pos</i> | <i>Factory Code</i> | <i>6DGT Code</i> | <i>Descrizione</i> | <i>Description</i> | <i>Ref./Note</i> |
|------------|---------------------|------------------|--------------------------------|---------------------------------|------------------|
| 37 | 0514894501 | 059518 | MOLLA | SPRING | |
| 37 | 0516804700 | 002981 | MOLLA | SPRING | AUTOCLAVE |
| 38 | 0514894802 | 059862 | ASSE PER CERNIERA | PIN, HINGE | |
| 39 | 0516804500 | 002982 | FERMO PER MOLLA | LOCK, SPRING | |
| 40 | 0514894303 | 059864 | BLOCCO CERNIERA | LOCK, HINGE | |
| 41 | 0516804601 | 002983 | BLOCCO REGOLAZIONE MOLLA | LOCKNUT, ADJUSTING SPRING | |
| 42 | 0514894603 | 002944 | SUPPORTO CERNIERA | SUPPORT, HINGE | |
| 43 | 0514895003 | 059859 | VITE PER SUPPORTO CERNIERA | SCREW, SUPPORT HINGE | |
| 44 | 0514894701 | 059860 | VITE PER ASSE CERNIERA | SCREW, PIN HINGE | |
| 45 | 0874849408 | 059866 | COPERCHIO AUTOCLAVE | LID, AUTOCLAVE BOILING PAN | |
| 46 | 0831807503 | 0C0742 | MANIGLIA COPERCHIO AUTOCLAVE | HANDLE, LID AUTOCLAVE | |
| 47 | 0835801801 | 052623 | VALVOLA SCARICO FUMANA | SAFETY VAVLE | |
| 48 | 0246173500 | 027300 | GUARNIZIONE PER VALVOLA | GASKET | |
| 49 | | | | | |
| 50 | 0204751902 | 025220 | CALOTTA PER VALVOLA | CAP, VALVE DRAIN | |
| 51 | 0569805200 | 0C0433 | GUARNIZIONE COPERCHIO | GASKET, LID | |
| 52 | 0315280901 | 010142 | VOLANTINO | HANDWHEEL | |
| 53 | 0214063000 | 010147 | VITE VOLANTINO | SCREW, HANDWHEEL | |
| 54 | 0514802301 | 052616 | PERNO | PIN | |
| 55 | 0514802002 | 052614 | VITE FISSAGGIO COPERCHIO | SCREW, FIXING TO LID | |
| 56 | 0511800201 | 052612 | BRACCIO ROTANTE | ROTATING ARM | |
| 57 | 0514802201 | 052615 | GHIERA | RING NUT | |
| | 0167098086 | 003363 | GRASSO PER PERNO COPERCHIO | GREASE, SPRING BOLING PAN | |
| | | | Pagina 4 | Page 4 | |
| 59 | 0527853301 | * | DISTANZIALE TAMBURO FUMI | SPACER, JACKET COMBUSTION | |
| 60 | 0529894501 | 0C6248 | PANNELLO COPERTURA SUPP. BRUC. | COVERING SUPP.BURNER PANEL | |
| 61 | 0527841101 | 0C4928 | PROTEZIONE PER PILOTA | PILOT PROTECTION | |
| 62 | | | | | |
| 63 | 0528848601 | * | CONVOGLIATORE SINISTRO | LEFT CONVEYOR | |
| 64 | 0528848501 | * | CONVOGLIATORE DESTRO | RIGHT CONVEYOR | |
| 65 | | | | | |
| 66 | 0529894402 | 0C6247 | PANNELLO SUPPORTO BRUCIATORE | SUPPORT PANEL, BURNER | |
| 67 | | | | | |
| 68 | 0560841501 | * | ISOLAMENTO FONDO | BOTTOM INSULATION | |
| 70 | 0560844703 | * | ISOLAMENTO PENTOLA 100Lt | INSULATION BOILING PAN 100Lt | 100 LT |
| 70 | 0560844801 | 0C6430 | ISOLAMENTO PENTOLA 150Lt | INSULATION BOILING PAN 150Lt | 150 LT |
| 71 | 0835819901 | 002903 | VALVOLA GAS | GAS VALVE | |
| 72 | 0214164400 | 052125 | RACCORDO TERMOCOPPIA | THERMO COUPLE NUT | |
| 73 | 0517866200 | 006622 | RACCORDO A "L" 18 - 1/2 | NIPPLE, 1/2" DIAM. 18 | |
| 74 | 0805899H03 | 0C6379 | TUBO ENTRATA GAS | INLET GAS PIPE | |
| 75 | 0805899L01 | 0C6378 | RIBALTA PENTOLA 100Lt | PIPE , GAS VALVE - BURNER 100Lt | 100 LT |
| 75 | 0805899J02 | 0C6366 | RIBALTA PENTOLA 150Lt | PIPE , GAS VALVE - BURNER 150Lt | 150 LT |
| 75a | 0214108111 | 041155 | DADO, RIBALTA | NUT | |
| 75b | 0215073101 | 060325 | BICONO | DOUBLE CONE | |
| 76 | 0830894702 | 0C0743 | BRUCIATORE | BURNER | |
| 77 | 0830828001 | 054039 | AREATORE REGOLAZIONE ARIA | AREATOR, AIR REGULATOR | |
| 78 | 0514829700 | 054118 | PORTAUGELLO | NOZZLE HOLDER | |
| 79 | 0506833401 | 054029 | GUARNIZIONE UGELLO | GASKET NOZZLE | |
| 80 | 0214105101 | 020997 | CONTRODADO PORTAUGELLO | LOCK NUT, NOZZLE HOLDER | |
| 81 | 0830897501 | 0C0744 | PILOTA | PILOT | |
| 82 | 0517880302 | 0C8067 | CONDUTTURA PILOTA 100Lt | PILOT PIPE 100Lt | 100 LT |
| 82 | 0517880401 | 0C8066 | CONDUTTURA PILOTA 150Lt | PILOT PIPE 150Lt | 150 LT |
| 83 | 0214164400 | 052125 | RACCORDO, PILOTA | NIPPLE, PILOT | |
| 84 | 0215199700 | 052127 | BICONO, PILOTA | DOUBLE CONE, PILOT | |
| 85 | 0515827401 | 053665 | BICONO, PILOTA | DOUBLE CONE, PILOT | |
| 86 | 0831818901 | 0C3162 | TERMOCOPPIA INTERROTTA | INTERR. THERMOCOUPLE | |
| 87 | 0330272401 | 052610 | ELETTRODO DI ACCENSIONE | ELECTRODE, IGNITION | |

PENTOLE GAS DIRETTE 100/150Lt E900XP
GAS BOILING PAN DIRECT HEATING 100/150Lt E900XP

| Pos | Factory Code | 6DGT Code | Descrizione | Description | Ref./Note |
|------------|--------------|---------------|--|---------------------------------------|-----------|
| 88 | 0214164101 | 057960 | RACCORDO FISS. CANDELA | NIPPLE, ELECTRODE | |
| 89 | | | | | |
| 92 | 0856841701 | 0S0950 | BOCCHETTONE SCARICO | DRAIN TAP | |
| 93 | 0516861001 | 0C0716 | CONTRODADO PER RUBINETTONE | LOCK NUT, DRAIN TAPE | |
| 94 | | | GUARNIZIONE | GASKET, DRAIN TAPE | |
| | | | Pagina 6 | Page 6 | |
| 95 | 0211794613 | 051521 | EROGATORE ACQUA | WATER TAP | |
| 96 | 0543800600 | 052779 | GUARNIZIONE OR | OR GASKET, WATER TAP | |
| 97 | 0830896400 | * | CONDUTTURA CARICO ACQUA | PIPE, WATER REFIL | |
| 98 | 0140068008 | 002707 | TUBO GOMMA CORAZZATO | WATER PIPE | |
| 99 | 0544615700 | 047431 | RACCORDO A Y | CONNECTION Y | |
| 100 | 0835823600 | * | FASCETTA | HOSE CLAMP | |
| 101 | 0696805700 | 0C3254 | ELETTROVALVOLA | MAGNETIC VALVE | |
| 103 | 0641802400 | 059544 | COMMUTATORE 4 POSIZIONI | SWITCH 4 POSITION | |
| 104 | 0699802200 | 0C1605 | REGOLATORE DI ENERGIA | ENERGY REGULATOR | |
| 105 | 0876800201 | 0C0687 | LAMPADA ROSSA | RED LAMP | |
| 106 | 0876800002 | 005010 | LAMPADA VERDE | GREEN LAMP | |
| 107 | 0511850G01 | 0C6670 | MANOPOLA | KNOB | ELX |
| * | 0548877V00 | 0C7345 | ADATTATORE MANOPOLA | KNOB ADAPTER | ELX |
| 107 | 0548864302 | 0C3218 | MANOPOLA PER VALVOLA GAS | KNOB FOR GAS VALVE | ELX |
| 107 | 0548878201 | 0C7232 | MANOPOLA | KNOB | ZAN |
| 107 | 0548864302 | 0C3218 | MANOPOLA PER VALVOLA GAS | KNOB FOR GAS VALVE | ZAN |
| 107 | 0548865500 | 0A5621 | MANOPOLA | KNOB | OEM |
| 107 | 0548864302 | 0C3218 | MANOPOLA PER VALVOLA GAS | KNOB FOR GAS VALVE | OEM |
| 107 | | | | | |
| 108 | 0214590701 | 025245 | MOLLETTA PER MANOPOLA | SPRING, KNOB | |
| 109 | 0543821000 | 053816 | GUARNIZIONE PER MANOPOLA | GASKET, KNOB | |
| 110 | 0548877B00 | 0C7526 | GHIERA CARICO ACQUA | KNOB RING, WATER REFILL | ELX |
| 110 | 0548879M00 | 0C7532 | GHIERA CARICO ACQUA | KNOB RING, WATER REFILL | ZAN, OEM |
| 110 | 0548879J00 | 0C7531 | GHIERA CARICO ACQUA | KNOB RING, WATER REFILL | AUTOCLAVE |
| 111 | 0548877G00 | 0C7230 | GHIERA REGOLATORE DI ENERGIA | KNOB RING, ENERGY REGULATOR | ELX |
| 111 | 0548879T00 | 0C7246 | GHIERA REGOLATORE DI ENERGIA | KNOB RING, ENERGY REGULATOR | ZAN |
| 111 | 0548879T00 | 0C7246 | GHIERA REGOLATORE DI ENERGIA | KNOB RING, ENERGY REGULATOR | OEM |
| 111 | 0514802201 | 052615 | GHIERA | KNOB | AUTOCLAVE |
| 112 | 0218912211 | 069567 | MOLLETTA PER GHIERA | SPRING, KNOB RING | |
| 113 | 0543821000 | 053816 | GUARNIZIONE MANOPOLA | GUARNIZIONE MANOPOLA | |
| 114 | 0548864302 | 0C3218 | PROLUNGA MANOPOLA VALVOLA | KNOB EXTENSION, GAS VALVE | |
| 115 | 0624804700 | 004240 | ACCENDITORE | LIGHTER | |
| 116 | 0830831400 | 054539 | CONSENSO ACC. VALVOLA | SWITCH VALVE | |
| 117 | 0544802200 | * | PRESSACAVO | TOGHTENER CORD | |
| 118 | 0639804900 | 046357 | MORSETTIERA | MAIN TERMINAL | |
| 119 | 0527842302 | * | SUPPORTO MORSETTIERA | SUPPORT, MAIN TERMINAL | |
| 120 | 0652800401 | 056582 | PORTAFUSIBILE | HOLDER, FUSE | |
| 121 | 0452140500 | 057783 | FUSIBILE 4A 250V | FUSE, 4A 250V | |
| 122 | 0694601000 | 046217 | FILTRO ANTIDISTURBO | FILTER | |
| 123 | 0646813300 | 0C1000 | TERMOSTATO DI SICUREZZA | SAFETY THERMOSTAT | |
| 124 | 0639810200 | 0C0717 | FASCETTA PER FISS. CAVO ALIM. | HOSE CLAMP, FIXING CABLE | |
| 125 | | OK3020 | BOBINA VALV. SIT 220V/240V 50HZ | COIL, SIT VALVE 220V/240V 50HZ | |