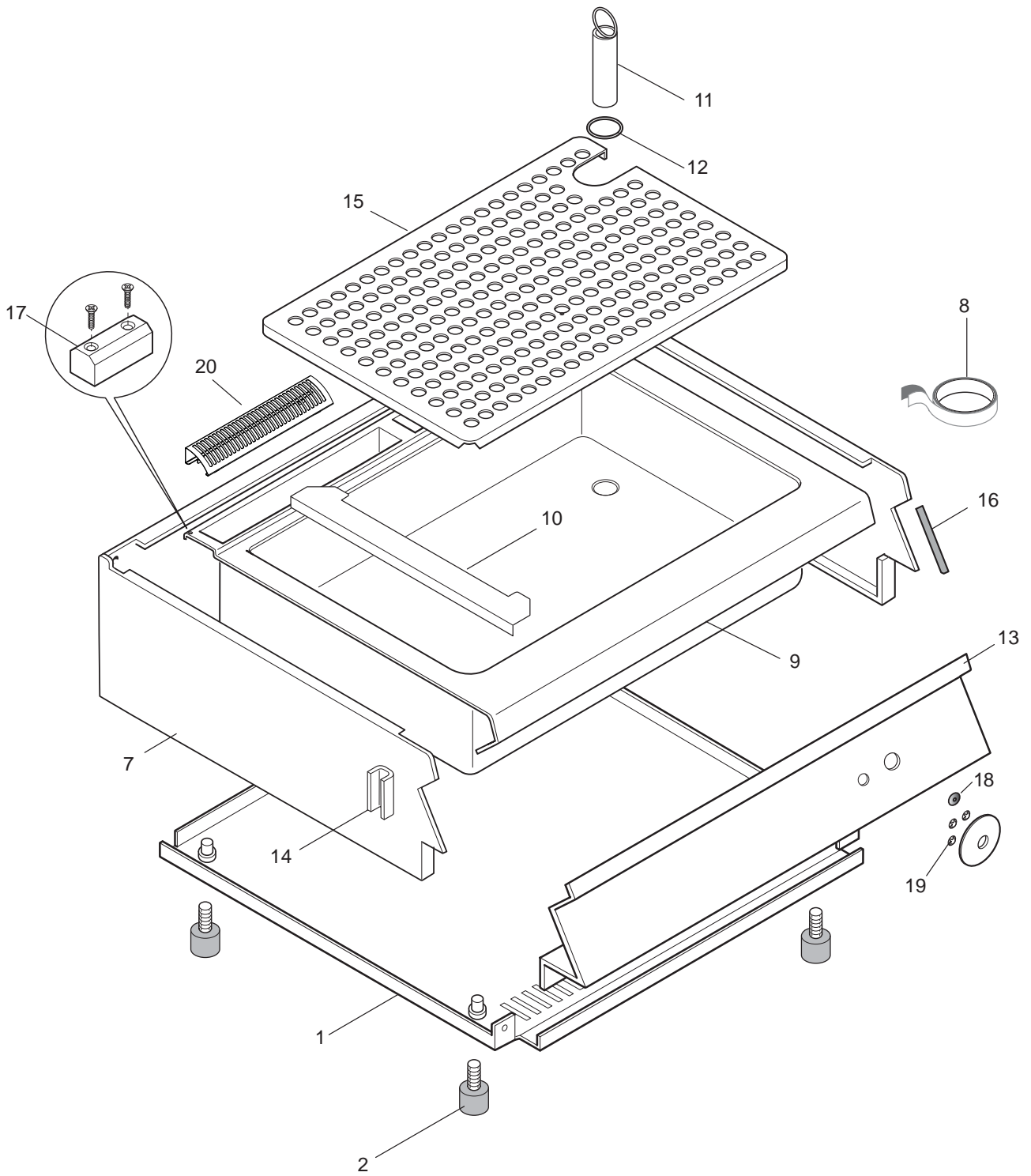
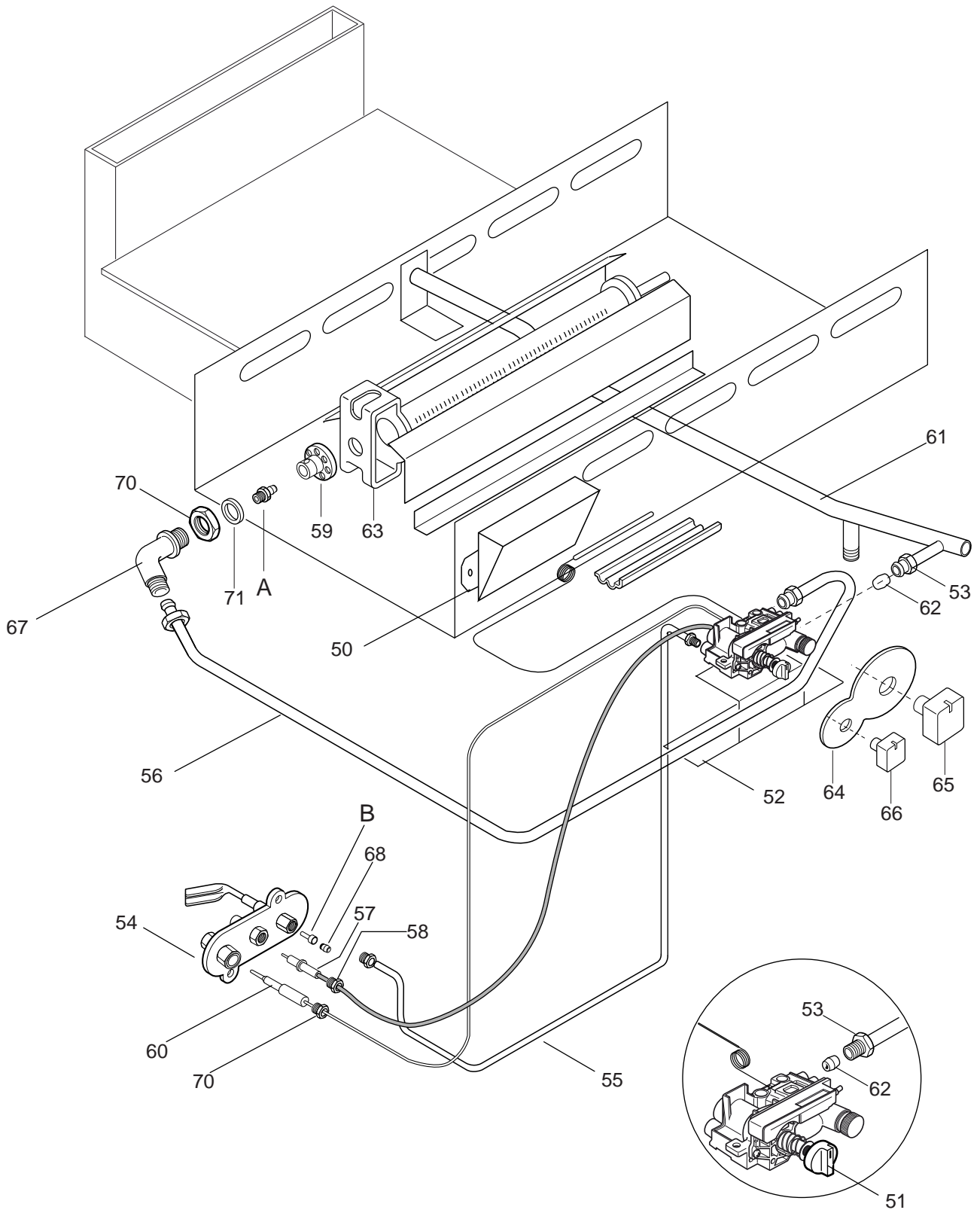


PNC	Model	Ref	Pag.	Brand	Version	Notes
391109	E9BMGDB000	a	2..4	ELX	GAS	GAS BAIN-MARIE TOP 400 MM
391110	E9BMGHB000	b	2..4	ELX	GAS	GAS BAIN-MARIE TOP 800 MM
391124	E9BMEDB000	c	2..4	ELX	EL	ELECTRIC BAIN-MARIE TOP 400 MM
391125	E9BMEHB000	d	2..4	ELX	EL	ELECTRIC BAIN-MARIE TOP 800 MM
392109	Z9BMGDB000	e	2..4	ZAN	GAS	GAS BAIN-MARIE TOP 400 MM
392110	Z9BMGHB000	f	2..4	ZAN	GAS	GAS BAIN-MARIE TOP 800 MM
392124	Z9BMEDB000	g	2..4	ZAN	EL	ELECTRIC BAIN-MARIE TOP 400 MM
392125	Z9BMEHB000	h	2..4	ZAN	EL	ELECTRIC BAIN-MARIE TOP 800 MM
393109	A9BMGDB000	i	2..4	OEM	GAS	GAS BAIN-MARIE TOP 400 MM
393110	A9BMGHB000	l	2..4	OEM	GAS	GAS BAIN-MARIE TOP 800 MM
393124	A9BMEDB000	m	2..4	OEM	EL	ELECTRIC BAIN-MARIE TOP 400 MM
393125	A9BMEHB000	n	2..4	OEM	EL	ELECTRIC BAIN-MARIE TOP 800 MM

Pag	Index	Indice	Note
2	General componets	Componenti struttura	
3	Gas components	Componenti Gas	
4	Nozzle	Ugelli	
5	Electric Components	Componenti elettrici	
6,7	Spare parts list	Lista ricambi	

Brand/Marchio: All
 Factory code: 9PDX

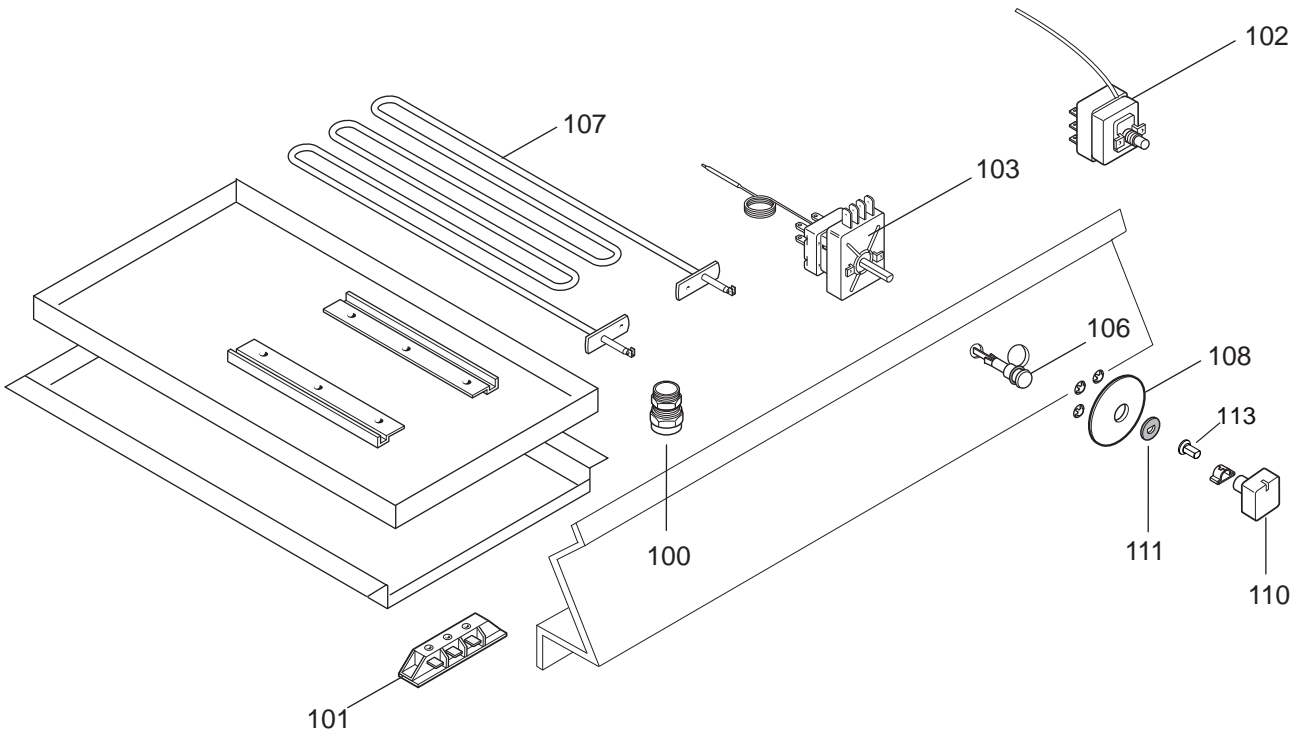
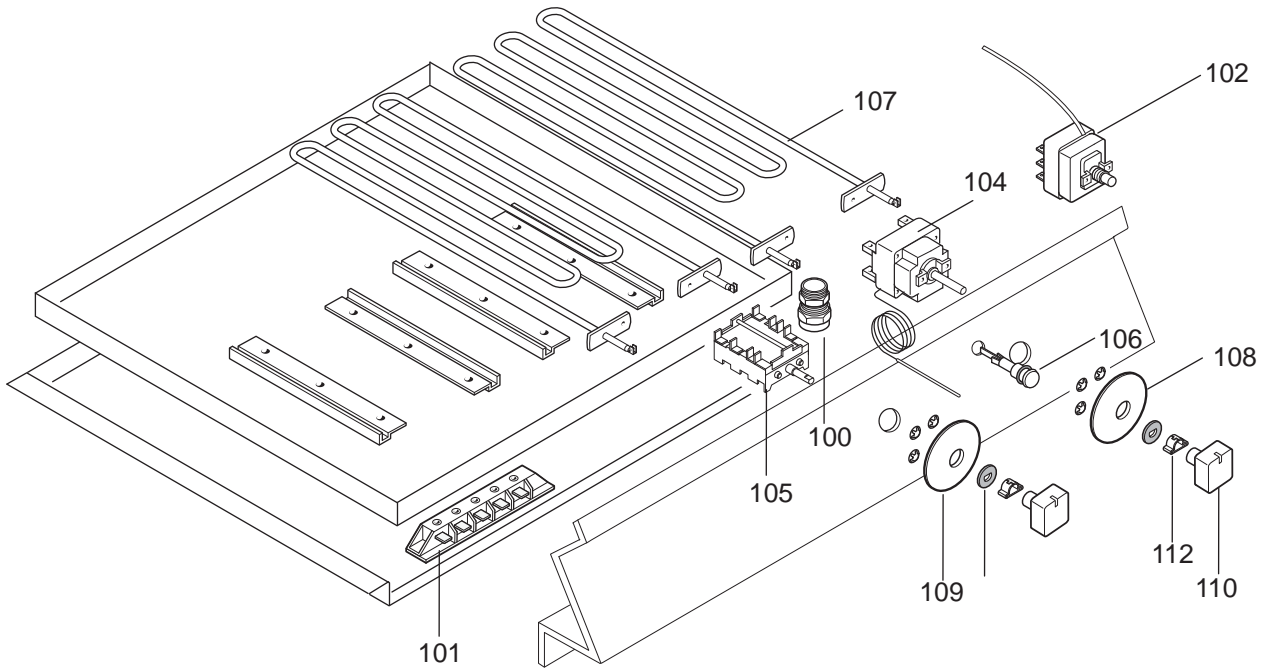




A - Ugello bruciatore / Burner nozzle ½ MODULE			
Spare part Code / factory code	Ref. / Notes		
003332	∅ 0.8	3B/P	G30 36 mbar
059811/516802300	∅ 0.85		G30 30 mbar
002266	∅ 0.75	3B/P	G30 50 mbar
004732	∅ 1.35	2L	G25 25mbar
004488	∅ 1.4	2ELL	G25 20 mbar
004732	∅ 1.35	2S	G25.1 25 mbar
002862	∅ 1.5	No CE	G20 10 mbar
059364/514879700	∅ 1.30	2H	G20 20 mbar
0C2810 / 516843600	∅ 1.2	2H	G20 25 mbar
002265	∅ 0.9		Propane KOREA
059804	∅ 1.25		Methane KOREA

A - Ugello bruciatore / Burner nozzle 1 MODULE			
Spare part Code / factory code	Ref. / Notes		
059804 / 516802200	∅ 1.25	3B/P	G30 30 mbar
0C2810 / 516843600	∅ 1.65	3B/P	G30 36 mbar
054082	∅ 1.55	3B/P	G30 50 mbar
0C0509 / 516843700	∅ 1.85	2H	G20 20 mbar
003723	∅ 2.45	2H	G20 25 mbar
003514	∅ 2.75	2L	G25 25mbar
005934	∅ 2.9	2ELL	G25 20 mbar
003514	∅ 2.75	2S	G25.1 25 mbar
055018	∅ 3.2	No CE	G20 10 mbar

B - Ugello pilota / Pilot nozzle			
Spare part Code / factory code	Ref./ Notes		
059216 / 514878900	n°14	3B/P	G30 36 mbar
059216 / 514878900	n°14	3B/P	G30 50 mbar
059216 / 514878900	n°14	3B/P	G30 30 mbar
059215 / 514886400	n°27	2H	G20 25 mbar
059215 / 514886400	n°27	2L	G25 25mbar
059215 / 514886400	n°27	2ELL	G25 20 mbar
059215 / 514886400	n°27	2S	G25.1 25 mbar
059215 / 514886400	n°27	No CE	G20 10 mbar
059215 / 514886400	n°27		G20 20 mbar
059216 / 514878900	n°14		Propane KOREA
059215 / 514886400	n°27		Methane KOREA



BAGNOMARIA GAS ED ELETTRICI E900XP
GAS AND ELECTRIC BAINMARIE E900XP

Pos	Factory Code	6DGT Code	Descrizione	Description	Ref./Note
			Pagina 2	Page 2	
1	0530829505	*	FONDO 400 mm	BOTTOM 400 mm	GAS
1	0530829605	*	FONDO 800 mm	BOTTOM 800 mm	GAS
1	0530830605	*	FONDO 400 mm	BOTTOM 400 mm	EL
1	0530830705	*	FONDO 800 mm	BOTTOM 800 mm	EL
2	0315252601	026806	PIEDINO	FOOT	
3					
4					
5					
6					
7	085089DR00		FASCIA 400 mm	EXTERNAL PANEL 400 mm	ELX
7	085089DS00		FASCIA 800 mm	EXTERNAL PANEL 800 mm	ELX
7	085089DU00		FASCIA 400 mm	EXTERNAL PANEL 400 mm	ZAN, OEM
7	085089DV00		FASCIA 800 mm	EXTERNAL PANEL 800 mm	ZAN, OEM
8	0147098070	005866	WACKER-ADESIVO 280 GR	WACKER	
9	085089BC00	0C7574	RIPIANO VASCA 400 mm	WELL 400 mm	ELX - GAS
9	085089CF00	0C7577	RIPIANO VASCA 800 mm	WELL 800 mm	ELX - GAS
9	085089CG00	0C7578	RIPIANO VASCA 400 mm	WELL 400 mm	ELX - EL
9	085089CH00	0C7579	RIPIANO VASCA 800 mm	WELL 800 mm	ELX - EL
9	085089HT00	0C7887	RIPIANO VASCA 400 mm	WELL 400 mm	ZAN - GAS
9	085089HU00	0C7888	RIPIANO VASCA 800 mm	WELL 800 mm	ZAN - GAS
9	085089HV00	0C7889	RIPIANO VASCA 400 mm	WELL 400 mm	ZAN - EL
9	085089HW00	0C7890	RIPIANO VASCA 800 mm	WELL 800 mm	ZAN - EL
10	0528847601	0C2989	TRAVERSA	CROSSPIECE	
11	0805874003	0A5181	PILETTA	STRAINER WASTE	
12	0543815500	0A5182	GUARNIZIONE	GASKET	
13	085089BS00	0C7575	CRUSCOTTO 400 mm	CONTROL PANEL 400 mm	ELX - GAS
13	085089BT00	0C7576	CRUSCOTTO 800 mm	CONTROL PANEL 800 mm	ELX - GAS
13	085589CK00	0C7596	CRUSCOTTO 400 mm	CONTROL PANEL 400 mm	ZAN - GAS
13	085589CL00	0C7597	CRUSCOTTO 800 mm	CONTROL PANEL 800 mm	ZAN - GAS
13	050389PY00		CRUSCOTTO 400 mm	CONTROL PANEL 400 mm	OEM - GAS
13	050389PZ00		CRUSCOTTO 800 mm	CONTROL PANEL 800 mm	OEM - GAS
13	085089CJ00	0C7580	CRUSCOTTO 400 mm	CONTROL PANEL 400 mm	ELX - EL
13	085089CK00	0C7581	CRUSCOTTO 800 mm	CONTROL PANEL 800 mm	ELX - EL
13	085589CM00	0C7598	CRUSCOTTO 400 mm	CONTROL PANEL 400 mm	ZAN - EL
13	085589CN00	0C7599	CRUSCOTTO 800 mm	CONTROL PANEL 800 mm	ZAN - EL
13	050389S600	0C8093	CRUSCOTTO 400 mm	CONTROL PANEL 400 mm	OEM - EL
13	050389S700	0C8039	CRUSCOTTO 800 mm	CONTROL PANEL 800 mm	OEM - EL
14	0527850500	0C0156	RINFORZO	REINFORCEMENT	
15	0533822700	0C2119	FALSO FONDO 400 mm	FALSE BOTTOM 400 mm	
15	0533822601	0C2588	FALSO FONDO 800 mm	FALSE BOTTOM 800 mm	
16		0C2496	GUARNIZIONE 1PZ=1M	GASKET	
17	0516860702	0C0137	PIASTRINA	PLATE	
18	0541813800	0C6171	RONDELLA SILICONE	SILICONE GASKET	
19	0543821900	069567	ANELLO DI FISSAGGIO	RING CONNECTION	
20	050389LP00	0C7333	GRIGLIA CAMINO	GRID	
			Pagina 3	Page 3	
50	0538802003	0C0499	SUPPORTO PILOTA	SUPPORT	
51	0835860101	0C0444	VALVOLA GAS	GAS VALVE	
52	0528887002	0C0501	SUPPORTO VALVOLA	SUPPORT	
53	0214108111	041155	RACCORDO	PIPE FITTING	
54	0830884101	005503	BRUCIATORE PILOTA	PILOT BURNER	
55	0517890900	0C3006	CONDUTTURA PILOTA	PILOT PIPE	400 mm
55	0517891001	0C3007	CONDUTTURA PILOTA	PILOT PIPE	800 mm
56	0806841102	0C0308	CONDUTTURA GAS	GAS PIPE	400 mm

BAGNOMARIA GAS ED ELETTRICI E900XP
GAS AND ELECTRIC BAINMARIE E900XP

<i>Pos</i>	<i>Factory Code</i>	<i>6DGT Code</i>	<i>Descrizione</i>	<i>Description</i>	<i>Ref./Note</i>
56	0806841202	*	CONDUTTURA GAS	GAS PIPE	800 mm
57	0830863300	059380	ELETTRODO; ACCENSIONE	ELECTRODE	
58	0214164101	057960	RACCORDO	PIPE FITTING	
59	0830871501	059803	AERATORE	AERATOR	
60	0830852201	025031	TERMOCOPPIA; M8*1 L 1500	THERMOCOUPLE; M8*1 L.1500	
61	0806823601	0C0505	RIBALTA	FEED PIPE	
62	0215073101	060325	BICONO; DIA. 10MM	DOUBLE CONE	
63	0831821600	0C3010	BRUCIATORE 1/2 M	BURNER	400 mm
63	0831821701	0C3011	BRUCIATORE 1 M	BURNER	800 mm
64	0548877600	0C7568	GHIERA PER VALVOLA	RING FOR VALVE	ELX
64	0548879A00	0C7660	GHIERA PER VALVOLA	RING FOR VALVE	ZAN, OEM
65	0511850D02	0C7330	MANOPOLA MERTIK	KNOB	ELX
65	0548877Z01	0C7179	MANOPOLA MERTIK	KNOB	ZAN
65	0548872700	0C5252	MANOPOLA MERTIK	KNOB	OEM
66	0548863301	0C2021	MANOPOLA X ACC. MERTIK	KNOB	ELX
66	0548878301	0C7181	MANOPOLA X ACC. MERTIK	KNOB	ZAN
66	0548856601	0C0190	MANOPOLA X ACC. MERTIK	KNOB	OEM
67	0511805401	059250	PORTAUGELLO	NOZZLE	
68	0215073101	060325	BICONO	DOUBLE CONE	
69					
70	0214105101	020997	CONTRODADO	LOCK NUT	
71	0506833401	054029	GUARNIZIONE	GASKET	
			Pagina 4	Page 4	
100	0544802300	0C0068	PRESSACAVO	FIXING CABLE	
101	0639804900	046357	MORSETTIERA	TERMINAL BOARD	400 mm
101	0A05714000	058613	MORSETTIERA	TERMINAL BOARD	800 mm
102	0646808800	004472	TERMOSTATO DI SICUREZZA	SAFETY THERMOSTAT	
103	0446574503	051142	INTERRUTTORE CON TERMOSTATO	SWITCH WITH THERMOSTAT	400 mm
104	0446578812	052000	TERMOSTATO; TRIP.90 C	THERMOSTAT; TRIP.90 C	800 mm
105	0A05443500	0A2241	INTERRUTTORE	SWITCH	800 mm
106	0876800002	005010	LAMPADA SPIA VERDE	PILOT LAMP; GREEN	
107	0417505314	051998	RESISTENZA	HEATING ELEMENT	
108	0548877700	0C7565	GHIERA TERMOSTATO	RING FOR THERMOSTAT	ELX
108	0548879Q00	0C7817	GHIERA TERMOSTATO	RING FOR THERMOSTAT	ZAN, OEM
109	0548877700	0C7565	GHIERA PER COMMUTATORE	RING FOR SWITCH	ELX - 800 mm
109	054887A100	0C7533	GHIERA PER COMMUTATORE	RING FOR SWITCH	ZAN, OEM - 800 mm
110	0511850G01	0C6670	MANOPOLA	KNOB	ELX
110	0548878201	0C7232	MANOPOLA	KNOB	ZAN
110	0548865500	0A5621	MANOPOLA	KNOB	OEM
111	*	*	GUARNIZIONE PER MANOPOLA	GASKET, KNOB	
112	*	*	MOLLETTA PER MANOPOLA	SPRING, KNOB	
113	0548877V00	0C7345	ADATTATORE MANOPOLA	KNOB ADAPTER	ELX

BAGNOMARIA GAS ED ELETTRICI E900XP
GAS AND ELECTRIC BAINMARIE E900XP

<i>Pos</i>	<i>Factory Code</i>	<i>6DGT Code</i>	<i>Descrizione</i>	<i>Description</i>	<i>Ref./Note</i>