

CUOCI PASTA E900 XP PASTA COOKER E900 XP

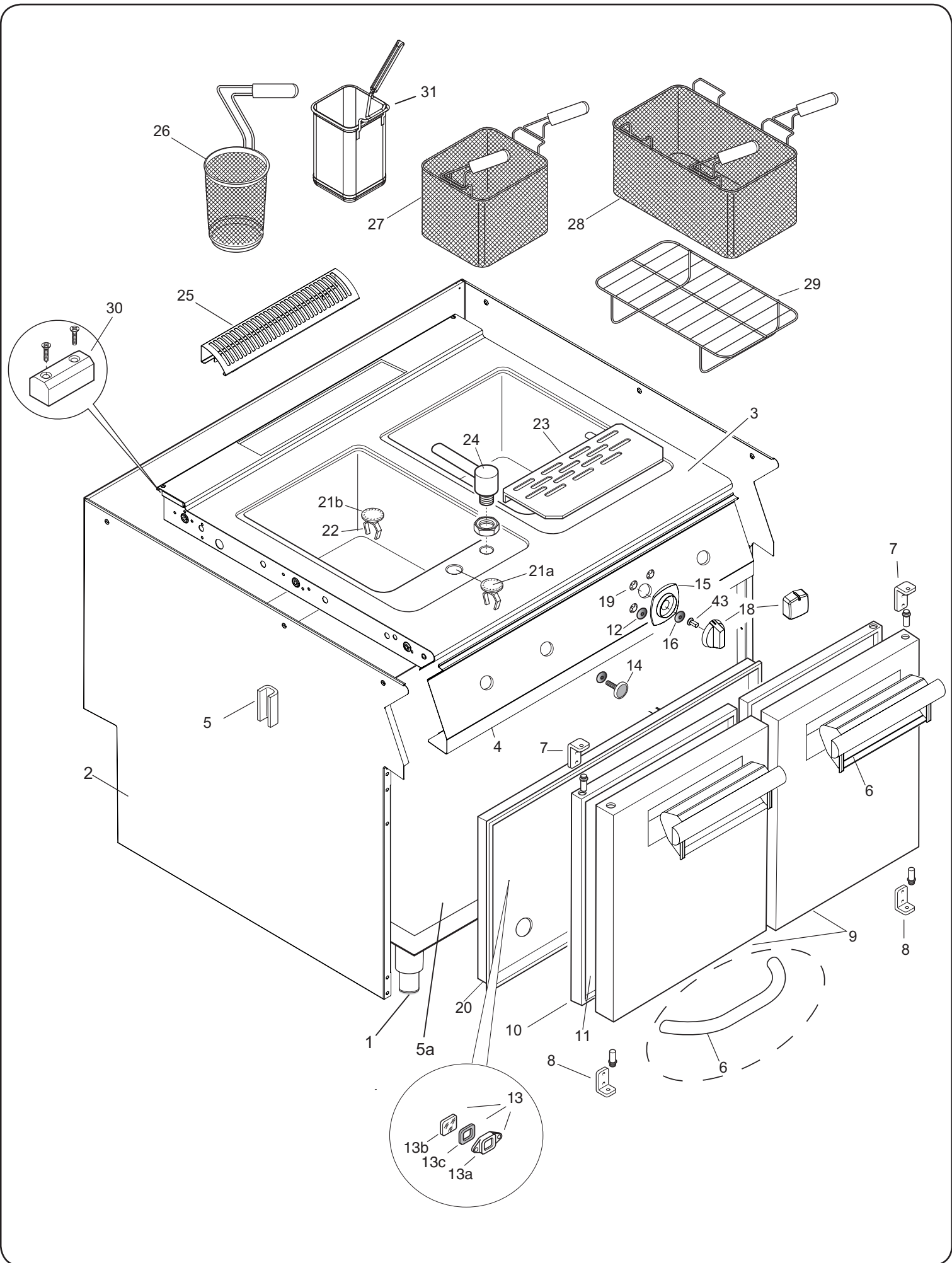
PNC	Model	Ref	Brand		Notes
391111	E9PCGD1MF0	a	ELX	GAS	1X40 LT WELL
391112	E9PCGH2MF0	b	ELX	GAS	2X40 LT WELLS
391126	E9PCED1MF0	c	ELX	EL	1X40 LT WELL
391127	E9PCEH2MF0	d	ELX	EL	2X40 LT WELLS
391273	E9PCED1MFV	u	ELX	EL	1X40 LT WELL
391410	E9PCGD1MF0	a	ELX	GAS	1X40 LT WELL-WATERMARK
391411	E9PCGH2MF0	b	ELX	GAS	2X40 LT WELLS-WATERMARK
391412	E9PCED1MF0	c	ELX	EL	1X40 LT WELL-WATERMARK
391413	E9PCEH2MF0	d	ELX	EL	2X40 LT WELLS-WATERMARK
392111	Z9PCGD1MF0	m	ZAN	GAS	1X40 LT WELL
392112	Z9PCGH2MF0	n	ZAN	GAS	2X40 LT WELLS
392126	Z9PCED1MF0	i	ZAN	EL	1X40 LT WELL
392127	Z9PCEH2MF0	l	ZAN	EL	2X40 LT WELLS
392410	Z9PCGD1MF0	m	ZAN	GAS	1X40 LT WELL-WATERMARK
392411	Z9PCGH2MF0	n	ZAN	GAS	2X40 LT WELLS-WATERMARK
392412	Z9PCED1MF0	i	ZAN	EL	1X40 LT WELL-WATERMARK
392413	Z9PCEH2MF0	l	ZAN	EL	2X40 LT WELLS-WATERMARK
393111	A9PCGD1MF0	q	OEM	GAS	1X40 LT WELL
393112	A9PCGH2MF0	r	OEM	GAS	2X40 LT WELLS
393126	A9PCED1MF0	o	OEM	EL	1X40 LT WELL
393127	A9PCEH2MF0	p	OEM	EL	2X40 LT WELLS
393212	A9PCGD1MFK	s	KIP	GAS	1X40 LT WELL
393213	A9PCGH2MFK	t	KIP	GAS	2X40 LT WELLS
393410	A9PCGD1MF0	q	OEM	GAS	1X40LT WELL-WATERMARK
393411	A9PCGH2MF0	r	OEM	GAS	2X40LT WELLS-WATERMARK
393412	A9PCED1MF0	o	OEM	EL	1X40LT WELL-WATERMARK
393413	A9PCEH2MF0	p	OEM	EL	2X40LT WELLS-WATERMARK

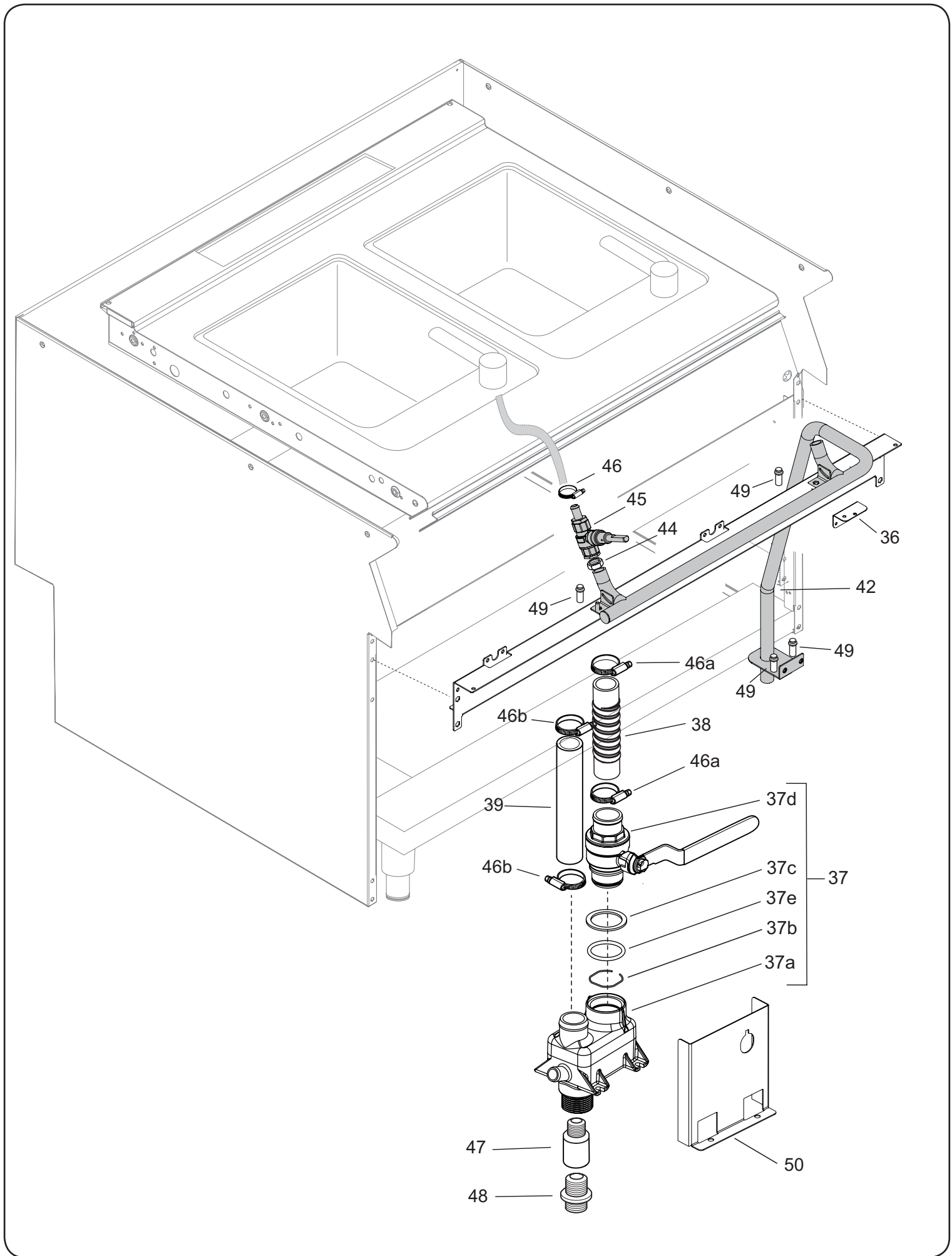
Index

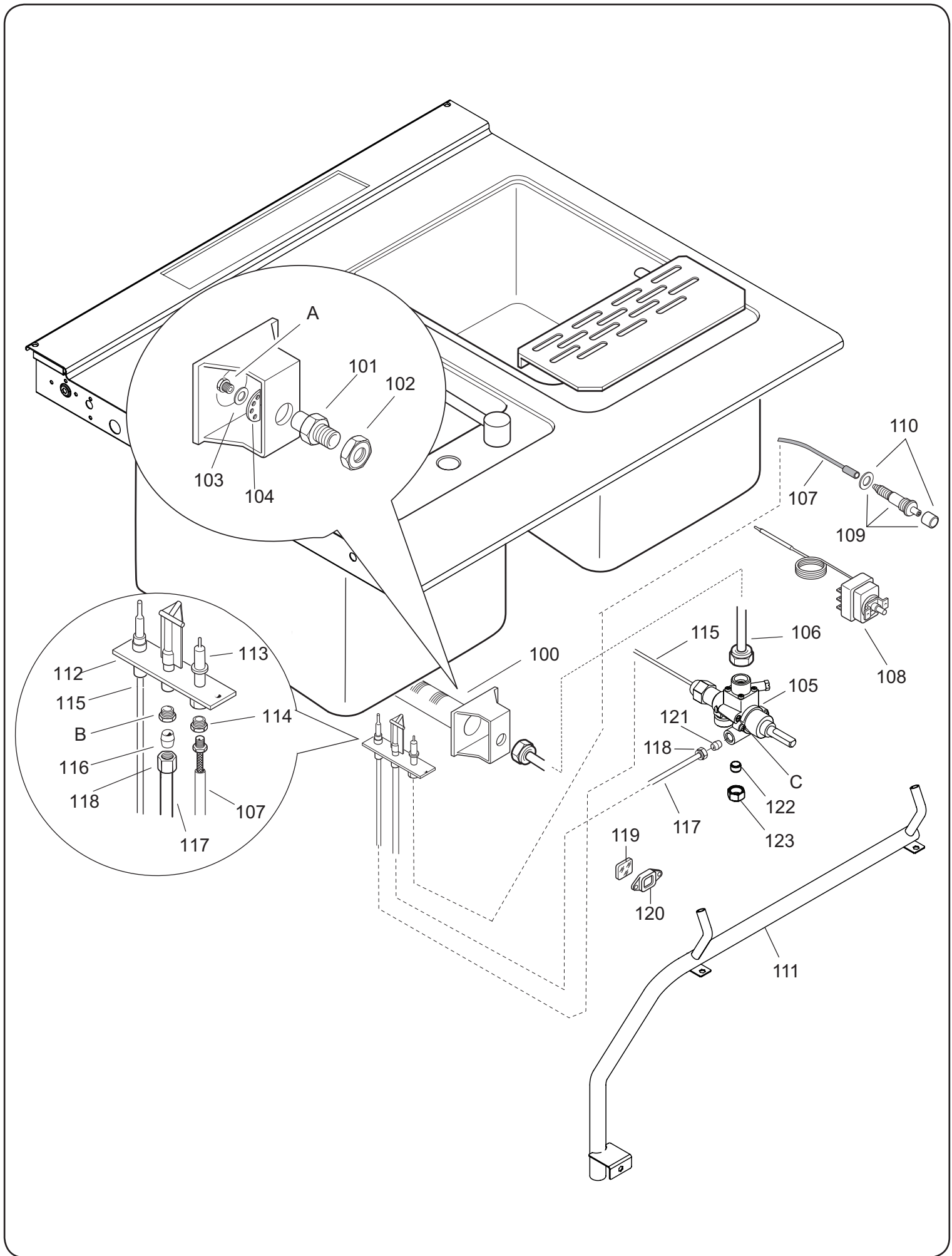
Vista generale / Main view	Page	Notes
Hydraulic circuit / Impianto idraulico	2	
Gas components / componenti gas	3	
Electric components / Componenti elettrici	4	
Nozzles table / Tabelle ugelli	5	From 8251 PDX 2018-03
Spare parts list / Lista ricambi	6	
	7-10	

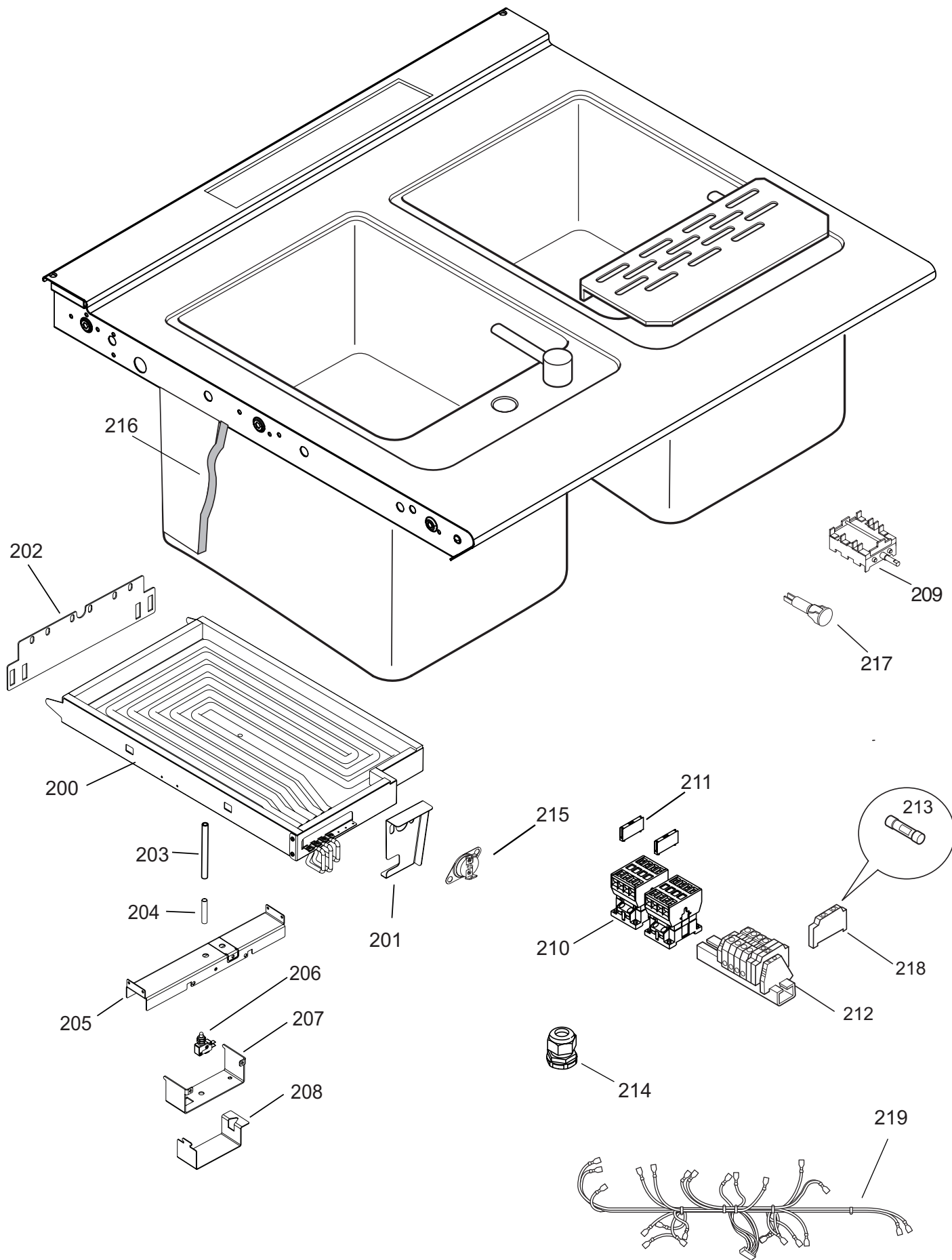
Bold=last change / Grassetto =ultima modifica

Rev. 14









Actual wire harness may be different from illustration.
 Il cablaggio elettrico puo' essere diverso dall'illustrazione

A - Ugello bruciatore / Burner nozzle					
Code	Spare Code	Reference			Ref / PNC
514899200	005934	ø2.05	3+3B/P	G30 30mbar	
516821700	003514	ø1.95	3B/P	G30 37mbar	
514833600	054631	ø1.80	3B/P	G30 50mbar	
514831200	054034	ø3.00	2H/2E+	G20 20mbar	
516844100	006419	ø2.90	2H	G20 25mbar	
514869900	058245	ø3.25	2L	G25 25mbar	
514831200	054034	ø3.00	2K	G25.3 25mbar	
516844400	0C9487	ø3.45	2ELL	G25 20mbar	
514869900	058245	ø3.25	2S	G25.1 25mbar	
514848900	055018	Ø2.20		Propane	KOREA market
516844100	006419	Ø2.90		Methane	KOREA market

B - Ugello pilota / Pilot nozzle					
Code	Spare Code	Reference			Ref / PNC
514833900	054286	n° 24	3+3B/P	G30 30mbar	
514833900	054286	n° 24	3B/P	G30 37mbar	
514833900	054286	n° 24	3B/P	G30 50mbar	
514831500	054037	n° 25	2H/2E+	G20 20mbar	
514831500	054037	n° 25	2H	G20 25mbar	
514831500	054037	n° 25	2L	G25 25mbar	
514831500	054037	n° 25	2K	G25.3 25mbar	
514831500	054037	n° 25	2ELL	G25 20mbar	
514831500	054037	n° 25	2S	G25.1 25mbar	
514833900	054286			Propane	KOREA market
514831500	054037			Methane	KOREA market

C - Vite di minimo / Min screw					
Code	Spare Code	Reference			Ref / PNC
0835820700	056742	ø1.10	3+3B/P	G30 30mbar	
0835802000	002392	ø0.95	3B/P	G30 37mbar	
0835802000	002392	ø0.95	3B/P	G30 50mbar	
0835837000	002993	ø1.80	2H/2E+	G20 20mbar	
0835837000	002993	ø1.80	2H	G20 25mbar	
0835837000	002993	ø1.80	2L	G25 25mbar	
0835837000	002993	ø1.80	2K	G25.3 25mbar	
0835837000	002993	ø1.80	2ELL	G25 20mbar	
0835837000	002993	ø1.80	2S	G25.1 25mbar	
0835820700	056742	ø1.10		Propane	KOREA market
0835837000	002993	ø1.80		Methane	KOREA market

CUOCI PASTA E900 XP
PASTA COOKER E900 XP

Pos	Factory Code	Spare Code	Descrizione	Description	Ref./Notes
1	835856900	0C0204	PIEDE	FOOT	
2	85089DY02	0CA526	ASSIEME FASCIA 400	SIDE PANEL 400	a,c
2	85089DZ02	0C9010	ASSIEME FASCIA 800	SIDE PANEL 800	b,d
2	85089F302	0CB643	ASSIEME FASCIA 400	SIDE PANEL 400	i,m,o,q
2	85089F402	0C8984	ASSIEME FASCIA 800	SIDE PANEL 800	l,n,p,r
3	87089A501	0C7619	RIPIANO / VASCA 400 MM	WORKTOP / TANK 400mm	c
3	870899Q01	0C7151	RIPIANO / VASCA 800 MM	WORKTOP / TANK 800mm	d
3	87089A600	0C7152	RIPIANO / VASCA 400 MM	WORKTOP / TANK 400mm	a
3	87089AW00	0C7153	RIPIANO / VASCA 800 MM	WORKTOP / TANK 800mm	b
3	87089AY01	0C7394	RIPIANO / VASCA 400 MM	WORKTOP / TANK 400mm	i,o
3	87089AZ01	0C7395	RIPIANO / VASCA 800 MM	WORKTOP / TANK 800mm	l,p
3	870899P00	0C7215	RIPIANO / VASCA 400 MM	WORKTOP / TANK 400mm	m,q
3	87089AX01	0C7393	RIPIANO / VASCA 800 MM	WORKTOP / TANK 800mm	n,r
4	85089BF02	0C7620	CRUSCOTTO 400mm	CONTROL PANEL 400mm	c,u
4	85089AF02	0C7136	CRUSCOTTO 800mm	CONTROL PANEL 800mm	d
4	85089AB02	0C7135	CRUSCOTTO 400mm	CONTROL PANEL 400mm	a
4	85089BD02	0C7138	CRUSCOTTO 800mm	CONTROL PANEL 800mm	b
4	85089FN01	0C7389	CRUSCOTTO 400mm	CONTROL PANEL 400mm	i
4	85089FP00	0C7390	CRUSCOTTO 800mm	CONTROL PANEL 800mm	l
4	87089GY01	0C7222	CRUSCOTTO 400mm	CONTROL PANEL 400mm	m
4	85089FM00	0C7388	CRUSCOTTO 800mm	CONTROL PANEL 800mm	n
4	800837Y00	*	CRUSCOTTO 400mm	CONTROL PANEL 400mm	q,s
4	800838000	*	CRUSCOTTO 800mm	CONTROL PANEL 800mm	r,t
4	800838100	*	CRUSCOTTO 400mm	CONTROL PANEL 400MM	o
4	800837Z00	*	CRUSCOTTO 800mm	CONTROL PANEL 800MM	p
5a	50389GX03	0CA064	FONDO CP EL. 1/2M EVOLUTION	1/2M EL. PASTA COOKER BOTTOM	c,i,o
5a	50389GY03	0CA085	FONDO CP EL. 1M EVOLUTION	1M EL. PASTA COOKER BOTTOM	d,l,p
5	527850500	0C0156	PIASTRA FISSAGGIO FIANCHI	SIDE PANEL JOINTING PLATE	
6	51589A700	0C7164	MANIGLIA	HANDLE	a,b,c,d,
6	54887A802	0C8190	MANIGLIA	HANDLE	i,l,m,n
6	854864203	0A5021	MANIGLIA	HANDLE	o,p,q,r
7	516860901	0C0139	CERNIERA SUP.	UPPER. HINGE, DOOR	
8	516860801	0C0138	CERNIERA INF.	BOTTOM HINGE, DOOR	
9	50389G300	0C7157	PORTA	DOOR	a,b,c,d,i,l,m,n
9	50389MB01	*	PORTA	DOOR	o,p,q,r
10	50489CQ00	0C7158	CONTROPORTA	INNER DOOR OVEN	
11	565819900	0C4433	DISTANZIALE PORTA	DOOR SPACER	
*	85089AA02	0C7156	ASSIEME PORTA (SENZA MANIGLIA)	COMPLETE DOOR (NO HANLE)	a,b,c,d,i,l,m,n
*	85089JX00	*	ASSIEME PORTA (SENZA MANIGLIA)	COMPLETE DOOR (NO HANLE)	o,p,q,r
12	541813800	0C6171	RONDELLA IN SILICONE	SILICONE WASHER	
14	830898200	0C0201	MAGNETE	MAGNET, DOOR	
15	548877Y00	0C7134	GHIERA COMMUTATORE EL.	RING, KNOB SWITCH ELECTRIC	a,b,c,d
15	548876G01	0C6802	GHIERA RUBINETTO ACQUA	RING, KNOB WATER REGULATION	a,b,c,d
15	548877X00	0C7178	GHIERA RUBINETTO GAS	RING, KNOB GAS REGULATION	a,b,c,d
15	54887A400	0C7386	GHIERA COMMUTATORE	RING, KNOB SWITCH ELECTRIC	i,l,m,n
15	548879H00	0C7385	GHIERA RUBINETTO ACQUA	RING, KNOB WATER REGULATION	i,l,m,n
15	54887A300	0C7938	GHIERA RUBINETTO GAS	RING, KNOB GAS REGULATION	i,l,m,n
15	54887A400	0C7386	GHIERA COMMUTATORE	RING, KNOB SWITCH	o,p,q,r
15	548879H00	0C7385	GHIERA RUBINETTO ACQUA	RING, KNOB WATER REGULATION	o,p,q,r
15	54887A300	0C7938	GHIERA RUBINETTO GAS	RING, KNOB GAS REGULATION	o,p,q,r

CUOCI PASTA E900 XP
PASTA COOKER E900 XP

Pos	Factory Code	Spare Code	Descrizione	Description	Ref./Notes
16	543821000	053816	GUARNIZIONE X MANOPOLA	GASKET, KNOB	
18	54887AW00	0C8646	MANOPOLA RUBINETTO ACQUA E GAS	KNOB WATER AND GAS REGULATOR	ELUX - a,b,c,d,u
18	548878001	0C7180	MANOPOLA RUBINETTO ACQUA E GAS	KNOB WATER AND GAS REGULATOR	ZAN - i,l,m,n
18	548865700	0C1380	MANOPOLA RUBINETTO ACQUA E GAS	KNOB WATER AND GAS REGULATOR	ALPEN - o,p,q,r
18	548877W00	0C8700	MANOPOLA COMMUTATORE	KNOB SWITCH	ELUX - a,b,c,d,e,f,u
18	548878201	0C7232	MANOPOLA COMMUTATORE (senza molletta)	KNOB SWITCH (without SPRING)	ZAN - i,l,m,n
18	548865500	0A5621	MANOPOLA COMMUTATORE (senza molletta)	KNOB SWITCH (without SPRING)	ALPEN - o,p,q,r
18	548876V00	0C8295	MANOPOLA RUBINETTO ACQUA E GAS	KNOB WATER AND GAS REGULATOR	KIP - s,t
19	218912211	069567	MOLLETTA PER GHIERA	RING, RING KNOB	
20	50489Y400	*	PANNELLO FRONTALE 400mm	FRONTAL PANEL 400mm	c,i,o,u
20	50489Y500	0CB629	PANNELLO FRONTALE 800mm	FRONTAL PANEL 800mm	d,l,p
21a	506864501	004836	FILTRO TROPPOPIENO Ø 50	OVERFLOW FILTER Ø 50	except for KIP
21b	506899Z01	0C6960	FILTRO FONDO Ø 34	BOTTOM FILTER Ø 34	Also overflow for KIP
22	514848300	054905	MOLLA PER FILTRO FONDO	SPRING, FILTER	
23	528822601	0C0559	SGOCCIOLATOIO	DRAINING BOARD	
24	511832302	0C5567	GETTO ACQUA	WATER NOZZLE	
25	50389LP00	0C7333	GRIGLIA CAMINO	CHIMNEY GRID	
26	F927213	056918	CESTO CUOCIPASTA TONDO 1/6	ROUND BASKET 1/6; PASTA COOKER	
26	F927212	056917	CESTO CUOCIPASTA TONDO 1/3	ROUND BASKET 1/3; PASTA COOKER	
27	F926210	056915	CESTO CUOCIPASTA GN1/3	BASKET GN1/3; PASTA COOKER	
27	F927211	056916	CESTO CUOCIPASTA GN1/2	BASKET GN1/2; PASTA COOKER	
28	F927216	056920	CESTO CUOCIPASTA GN1/1	BASKET GN1/1; PASTA COOKER	
29	F927219	056922	GRIGLIA DI FONDO	FALSE BOTTOM, PASTA COOKER	
30	*	0C9655	KIT PIASTRA GIUNZIONE	KIT JOINTING REAR PLATE	Screws and plate
31	F206236	0C9938	CESTO CUOCIPASTA QUADRATO 1/6	SQUARE BASKET 1/6; PASTA COOKER	
36	50689DY00	0C9743	DIMA FORATURA	DRILL JIG	TB PDX2013-03
37	855899X02	0C6953	ASSIEME RACCORDO DI SCARICO	COMPLETE DRAIN JUNCTION	Up to 5481...
37	855899X06	0CA490	ASSIEME RACCORDO DI SCARICO (37a+37b+37c+37d+37e)	SUPPORT, RAD. PLATE (37a+37b+37c+37d+37e)	From 5491...
37a	544825903	0CA570	RACCORDO	JUNCTION	From 5491...
37b	516899A02	0CA571	ANELLO ELASTICO	SEIGER RING	From 5491...
37c	206800101	0CA463	ROSETTA PIANA	WASHER	From 5491...
37d	80589A303	0CA464	VALVOLA A SFERA	BALL VALVE	From 5491...
37e	543827500	0C6800	OR	OR	
38	544825P00	0C9200	TUBO SCARICO	DRAIN PIPE	Up to 5201...
38	544825Z00	0CA373	TUBO SCARICO	DRAIN PIPE	From 5211...
39	544825F00	0C7133	TUBO TROPPO PIENO	OVERFLOW FULL PIPE	
39	544801102	056888	TUBO TROPPO PIENO	OVERFLOW FULL PIPE	208V
42	83089JZ01	0C9633	RIBALTA ACQUA AISI	WATER PIPE STAINLESS STEEL	1x40 WELL a,c,i,m,o,q
	83089KF02	0C9740	KIT COMPLETO RIBALTA AISI	KIT COMPLETE WATER INLET S.S	TB PDX2013-03 1x40 WELL a,c,i,m,o,q
42	83089K001	0C9634	RIBALTA ACQUA AISI	WATER PIPE STAINLESS STEEL	2x40 WELL b,d,l,n,p,r
	83089KG02	0C9741	KIT COMPLETO RIBALTA AISI	KIT COMPLETE WATER INLET S.S	TB PDX2013-03 2x40 WELL b,d,l,n,p,r
43	214590701	025245	MOLLETTA PER MANOPOLA	KNOB SPRING	ZAN, ALPEN
43	54887AQ00	0C8716	ADATTATORE MANOPOLA diam.10	KNOB ADAPTER diam.10	ELUX - a,b,c,d,u
44	516875100	0C8993	DADO FISSAGGIO	FIXING NUT	

CUOCI PASTA E900 XP
PASTA COOKER E900 XP

Pos	Factory Code	Spare Code	Descrizione	Description	Ref./Notes
45	835877Z00	0C9635	RUBINETTO+PROLUNGA	WATER TAP + EXTENSION	
46	518613100	049888	FASCETTA GETTO ACQUA	CLAMP BAND WATER NOZZLE	
46a	518825C00	0C9201	FASCETTA SCARICO ACQUA	CLAMP BAND DISCHARGE WATER	
46b	518613300	0L2728	FASCETTA TROPPOPIENO	CLAMP BAND OVERFLOW WATER	
47	511851900	0C9205	MANICOTTO	EXTENSION	Up to WK38-2013...
48	511851900	0C9204	NIPPLO 1" 7/1	CONNECTION 1" 7/1	Up to WK38-2013
49	518803100	0C7118	INSERTO FILETTATO M5	THREADED BUSH M5	TO FIX POS.42
50	50589L700	*	PIASTRINA SCARICO	DRAIN PLATELET INDICATOR	Except for KIP
100	83089DV01	0C8028	BRUCIATORE	BURNER	
101	514829700	054118	PORTAUGELLO	INJECTOR HOLDER	
102	214105101	020997	CONTRODADO	LOCK NUT	
103	506833401	054029	GUARNIZIONE	GASKET	
104	830828001	054039	AERATORE	AERATOR	
105	835875R01	0C8647	RUBINETTO GAS	GAS TAP	
106	80589AN00	0C8029	CONDOTTA GAS	GAS PIPE	
107	80589BY00	0C9198	CAVETTO ACCENSIONE CON GUAINA	SPARK PLUG CABLE (sheathed)	700MM - LONG
108	646809901	005295	TERMOSTATO SIC. LIMITATORE	SAFETY THERMOSTAT	a,b,m,n,q,r (gas)
109	835834901	0C9240	KIT ACCENDITORE (ACC+TAPPO+RONDELLA)	KIT IGNITER (IGN+BUTTON+WASHER)	
109	835829600	059251	ACCENDITORE	IGNITER	
109	541809001	0C9407	TAPPO DI GOMMA	RUBBER TOP BUTTON	
109	516814601	0C9408	RONDELLA	WASHER	
110	*	0C9409	TAPPO DI GOMMA + RONDELLA	RUBBER TOP BUTTON + WASHER	
111	83089DD00	0C8030	RIBALTA GAS	INLET GAS PIPE	b,d,l,n,p,r; 2x40 WELL
111	83089DA00	0C8031	RIBALTA GAS	INLET GAS PIPE	a,c,i,m,o,q; 1x40 WELL
112	830828100	054032	BRUCIATORE PILOTA	PILOT BURNER	
113	330272401	052610	ELETTRODO; ACCENSIONE	ELECTRODE	
114	214164400	052125	RACCORDO	PIPE FITTING	
115	831818901	0C3162	TERMOCOPPIA INTERROTTA	THERMOCOUPLE	
116	515827401	053665	BICONO	DOUBLE CONE	
117	51589A901	0C8032	CONDUTTURA PILOTA	PIPE, PILOT	
118	214164400	052125	RACCORDO	PIPE FITTING	
119	206260400	057382	VETRO SPIA	GLASS	
120	275290025	057400	CORNICE VETRO	FRAME	
121	215199700	052127	BICONO	DOUBLE CONE	
122	215170716	050682	OGIVA DA 12	DOUBLE CONE	
123	214111412	050670	DADO M 20 X 1,5	NUT	
200	61783AM00	0CB381	RESISTENZA	HEATING ELEMENT	From 8251 PDX2018-03
201	50289H101	0CB475	SUPPORTO RESISTENZA	HEATING ELEMENT SUPPORT	From 8251 PDX2018-03
202	50489TZ02	0CB474	SUPPORTO STAFFA RESISTENZA	H.E. SUPPORT BRAKET	From 8251 PDX2018-03
203	569807501	0C8182	ASTINA IN STEATITE (CERAMICO)	CERAMIC ROD	
204	51489DT01	0CB496	BOCCOLA OTTONE PER ASTINA	BRAS ROD	From 8251 PDX2018-03
205	50489T402	0CA958	SUPPORTO PER ASTINA E MICRO	SUPPORT FOR MICRO AND ROD	From 8251 PDX2018-03
206	640804N00	0CA553	MICRO-INTERRUTTORE	MICROSWITCH	From 8251 PDX2018-03
207	50589JP00	*	BASE PER MICRO	MICROSWITCH BASE	From 7451
208	50789A000	*	PROTEZIONE MICRO	MICROSWITCH PROTECTION	From 7451

CUOCI PASTA E900 XP
PASTA COOKER E900 XP

Pos	Factory Code	Spare Code	Descrizione	Description	Ref./Notes
209	641805101	0C7353	COMMUTATORE	SWITCH	ELUX – c,d,u ZAN – i,l ALPEN – o,p
210	648807900	0C7622	CONTATTORE	CONTACTOR	
211	H58194500	*	BASETTA CONTATTO AUSILIARIO	BAS E FOR AUXILIARY CONTACT	
212	639806600	006854	MORSETTIERA	TERMINAL BOARD	
213	652806400	0C1884	FUSIBILE	FUSE	10 A
214	544802300	0C0068	PASSACAPO	TOGHTENER CORD	
215	653800000	0C6155	TERMOSTATO SIC (CLICSON)	SAFETY THERMOSTAT (CLICSON)	c,d,u,i,l,o,p, (elec- tric)
216	560873903	0CA200	ISOLAMENTO	INSULATION	
217	876800002	005010	LAMPADA VERDE	GREEN LAMP	
218	652603200	075737	PORTAFUSIBILE (barra din)	FUSE HOLDER (of din bar)	
219	638899T02	0C9678	ASSIEME CABLAGGIO ELETTRICO	WIRING HARNESS	c,i,o; 1x40 WELL
219	638899U02	0CA119	ASSIEME CABLAGGIO ELETTRICO	WIRING HARNESS	d,l,p; 2x40 WELLS
*	080589FC00	0CB801	KIT WATERMARK	WATERMARK KIT	
*	*	0CB458	Kit manutenzione Cuocipasta gas N900 40LT	N900 40LT Gas Pasta cooker maintenance Kit	40LT Gas Pasta cooker (12+44+45+46+109+112+113+114+115+116+118+121+nozzles TABLE B)
*	*	0CB459	Kit manutenzione Cuocipasta gas N900 40LT ogni 3 anni	N900 40LT Gas Pasta cooker 3rd year maintenance Kit	40LT Gas Pasta cooker (12+39+44+45+46+4x46b+109+112+113+114+115+116+118+121+nozzles TABLE B)
*	*	0CB460	Kit manutenzione Cuocipasta elettrici N700 40LT	N900 40LT Electric Pasta cooker maintenance Kit	40LT Electric Pasta cooker (12+44+45+46)
*	*	0CB461	Kit manutenzione Cuocipasta elettrici N700 40LT ogni 3 anni	N900 40LT Electric Pasta cooker 3rd year maintenance Kit	40LT Electric Pasta cooker (12+39+44+45+46+4x46b)
*	*	0CB462	Kit manutenzione Cuocipasta gas N900 2X 40LT	N900 2X 40LT Gas Pasta cooker maintenance Kit	2X 40LT Gas Pasta cooker (2x12+2x44+2x45+2x46+2x109+2x112+2x113+2x114+2x115+2x116+2x118+2x121+nozzles TABLE B)
*	*	0CB463	Kit manutenzione Cuocipasta gas N900 2X 40LT ogni 3 anni	N900 2X 40LT Gas Pasta cooker 3rd year maintenance Kit	2X 40LT Gas Pasta cooker (2x12+2x39+2x44+2x45+2x46+8x46b+2x109+2x112+2x113+2x114+2x115+2x116+2x118+2x121+nozzles TABLE B)
*	*	0CB464	Kit manutenzione Cuocipasta elettrici N900 2X 40LT	N900 2X 40LT Electric Pasta cooker maintenance Kit	2X 40LT Electric Pasta cooker (2x12+2x44+2x45+2x46)
*	*	0CB465	Kit manutenzione Cuocipasta elettrici N900 2X 40LT ogni 3 anni	N900 2X 40LT Electric Pasta cooker 3rd year maintenance Kit	2X 40LT Electric Pasta cooker (2x12+2x39+2x44+2x45+2x46+8x46b)