

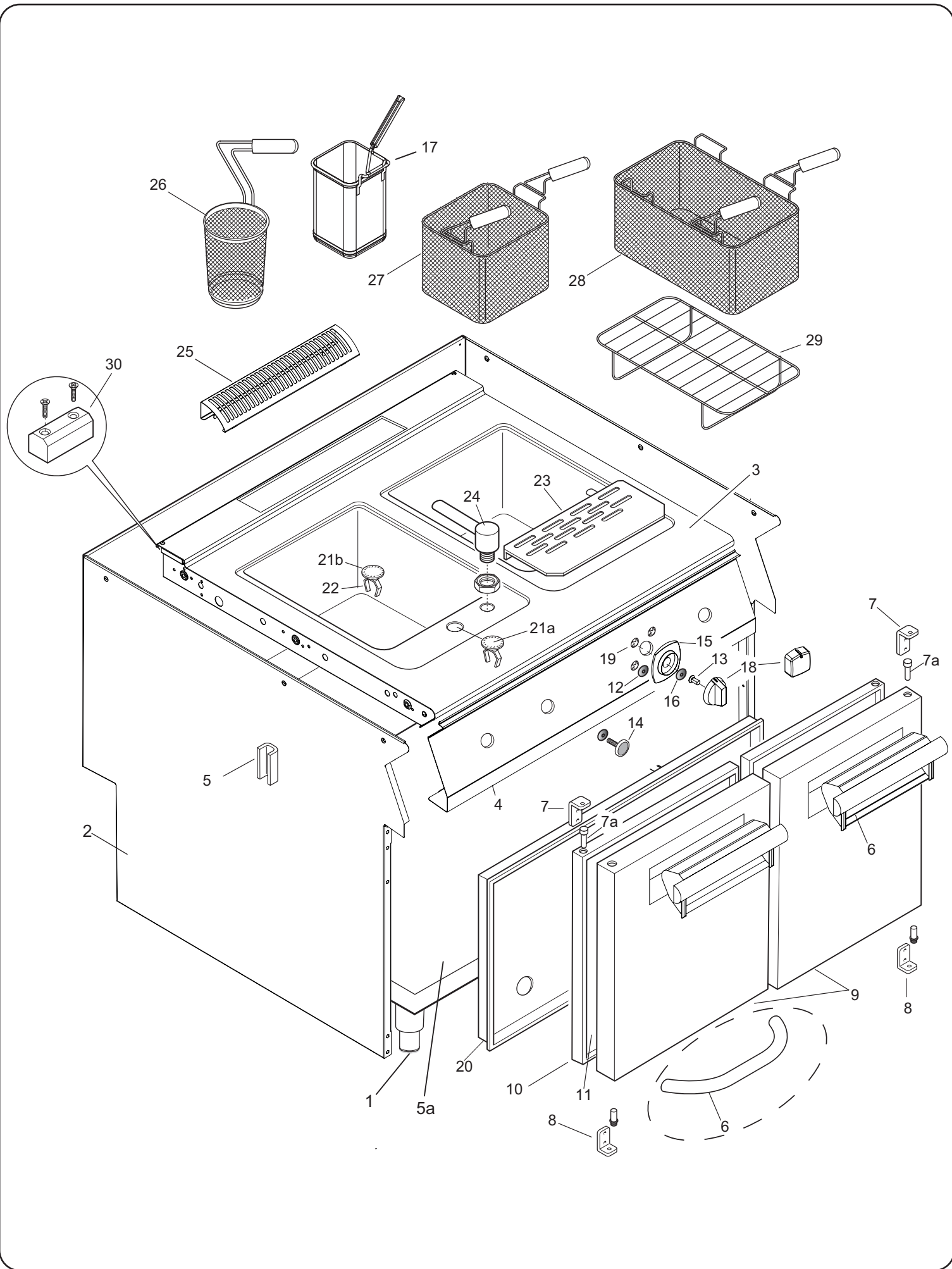
CUOCI PASTA E900 XP PASTA COOKER E900 XP

PNC	Model	Ref	Brand		Notes
391111	E9PCGD1MF0	a	ELX	GAS	1X40 LT WELL
391112	E9PCGH2MF0	b	ELX	GAS	2X40 LT WELLS
391126	E9PCED1MF0	c	ELX	EL	1X40 LT WELL
391127	E9PCEH2MF0	d	ELX	EL	2X40 LT WELLS
391273	E9PCED1MFV	u	ELX	EL	1X40 LT WELL
391410	E9PCGD1MF0	a	ELX	GAS	1X40 LT WELL-WATERMARK
391411	E9PCGH2MF0	b	ELX	GAS	2X40 LT WELLS-WATERMARK
391412	E9PCED1MF0	c	ELX	EL	1X40 LT WELL-WATERMARK
391413	E9PCEH2MF0	d	ELX	EL	2X40 LT WELLS-WATERMARK
391624	E9OOCBAMCI	a	ELX	GAS	GAS PASTA COOKER 1X40 LT WELL
391625	E9OODTBAMEI	b	ELX	GAS	GAS PASTA COOKER 2X40 LT WELLS
392111	Z9PCGD1MF0	m	ZAN	GAS	1X40 LT WELL
392112	Z9PCGH2MF0	n	ZAN	GAS	2X40 LT WELLS
392126	Z9PCED1MF0	i	ZAN	EL	1X40 LT WELL
392127	Z9PCEH2MF0	l	ZAN	EL	2X40 LT WELLS
392410	Z9PCGD1MF0	m	ZAN	GAS	1X40 LT WELL-WATERMARK
392411	Z9PCGH2MF0	n	ZAN	GAS	2X40 LT WELLS-WATERMARK
392412	Z9PCED1MF0	i	ZAN	EL	1X40 LT WELL-WATERMARK
392413	Z9PCEH2MF0	l	ZAN	EL	2X40 LT WELLS-WATERMARK
392622	Z9OOCBAMCI	m	ZAN	GAS	GAS PASTA COOKER 1X40 LT WELL - QMARK
392623	Z9OODTBAMEI	n	ZAN	GAS	GAS PASTA COOKER 2X40 LT WELLS - QMARK
393111	A9PCGD1MF0	q	OEM	GAS	1X40 LT WELL
393112	A9PCGH2MF0	r	OEM	GAS	2X40 LT WELLS
393126	A9PCED1MF0	o	OEM	EL	1X40 LT WELL
393127	A9PCEH2MF0	p	OEM	EL	2X40 LT WELLS
393212	A9PCGD1MFK	s	KIP	GAS	1X40 LT WELL
393213	A9PCGH2MFK	t	KIP	GAS	2X40 LT WELLS
393410	A9PCGD1MF0	q	OEM	GAS	1X40LT WELL-WATERMARK
393411	A9PCGH2MF0	r	OEM	GAS	2X40LT WELLS-WATERMARK
393412	A9PCED1MF0	o	OEM	EL	1X40LT WELL-WATERMARK
393413	A9PCEH2MF0	p	OEM	EL	2X40LT WELLS-WATERMARK

Index

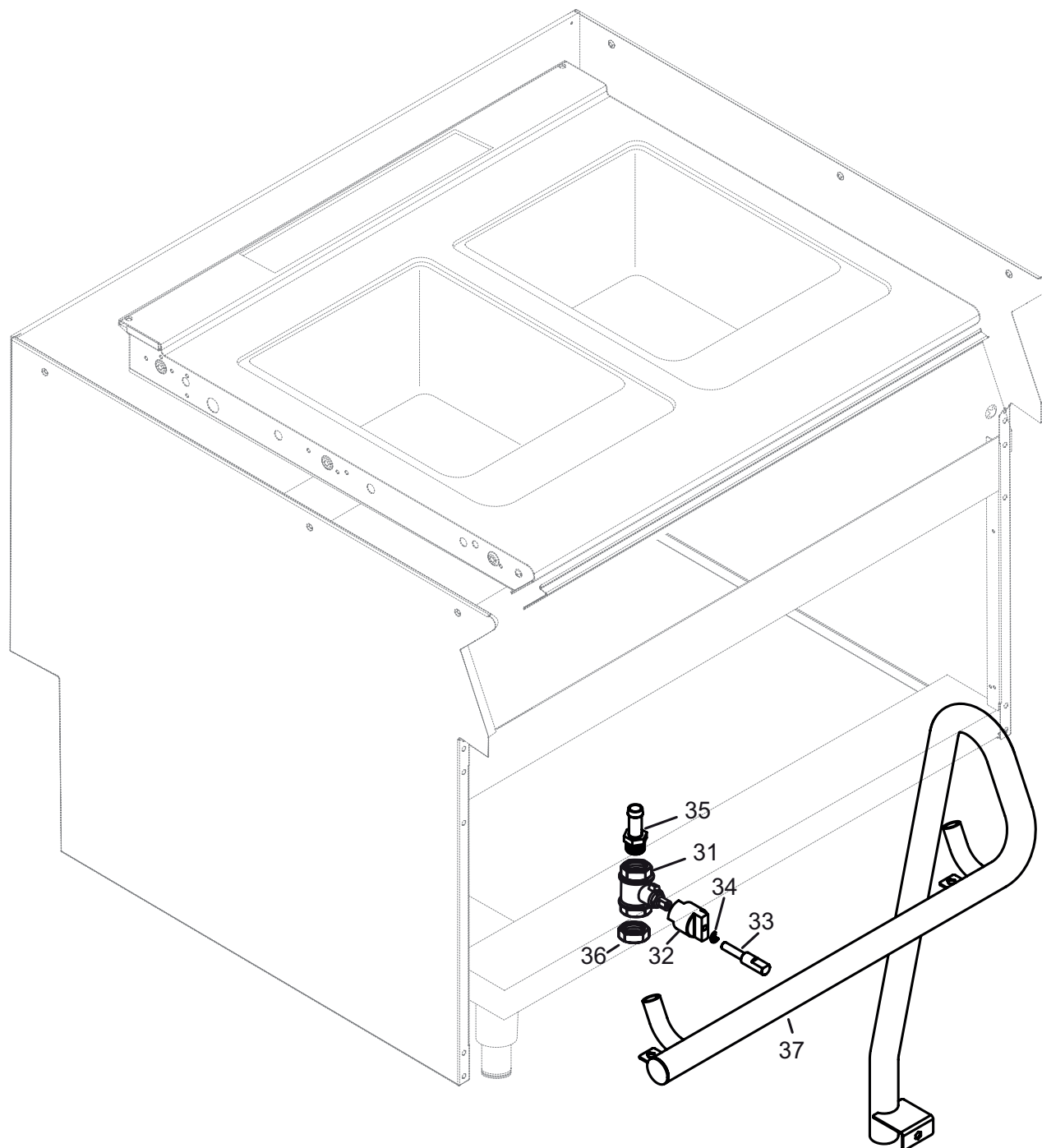
	Page	Notes
Vista generale / Main view	2	
Hydraulic circuit / Impianto idraulico	3	Up to 2012/38
Hydraulic circuit / Impianto idraulico	4	From 2012/39 up to 2013/37 TB PDX 2013-03
Hydraulic circuit / Impianto idraulico	5	From 2013/38
Gas components / componenti gas	6	
Electric components / Componenti elettrici	7	Up to 2018/24
Electric components / Componenti elettrici	8	From 2018/25 TB PDX 2018-03
Nozzles table / Tabelle ugelli	9	
Spare parts list / Lista ricambi	10-14	
Maintenance kit / Kit di manutenzione	16	

Bold=last change / Grassetto =ultima modifica



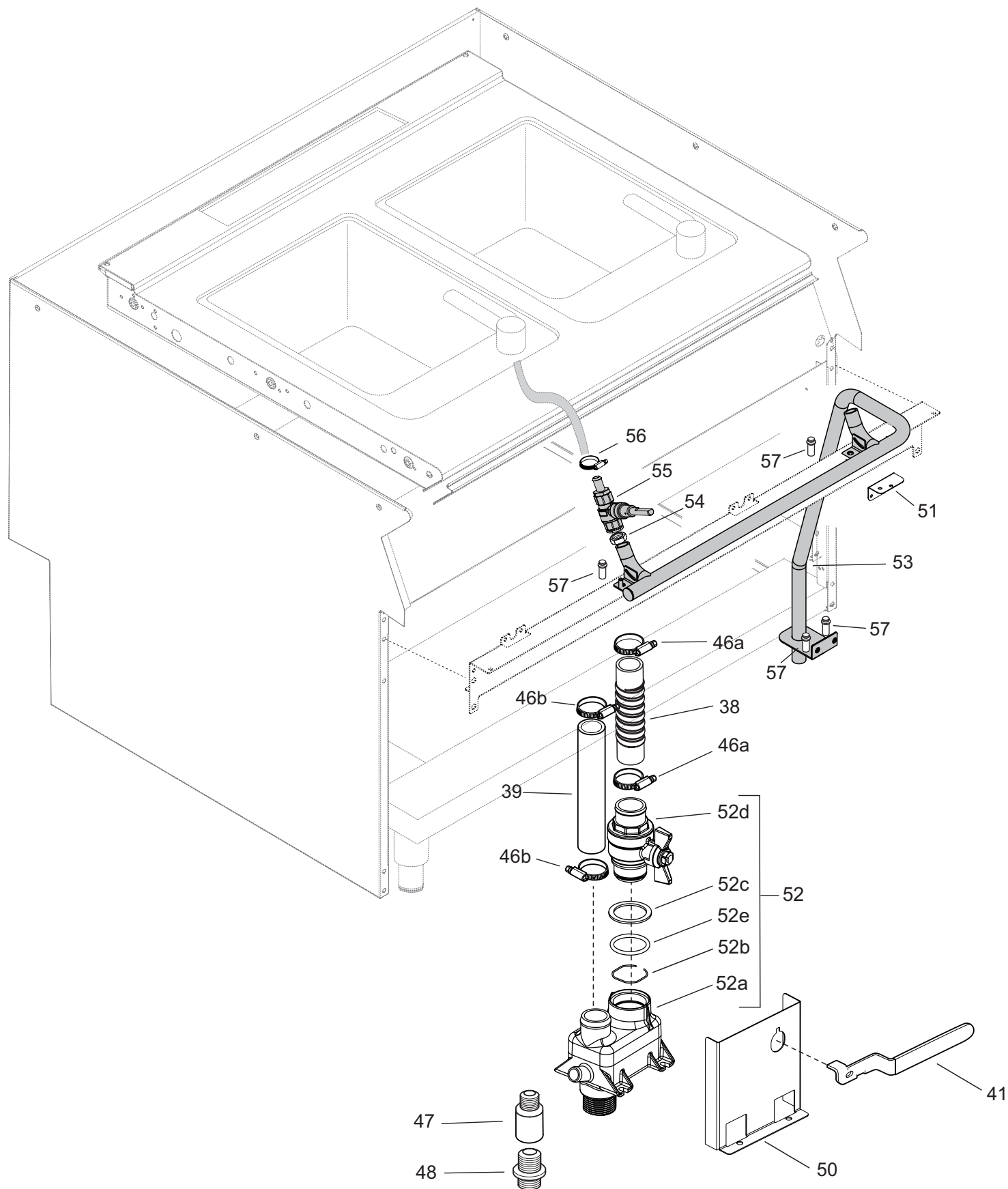
UP TO SERIAL NUMBER 2012/38
FINO A MATRICOLA 2012/38

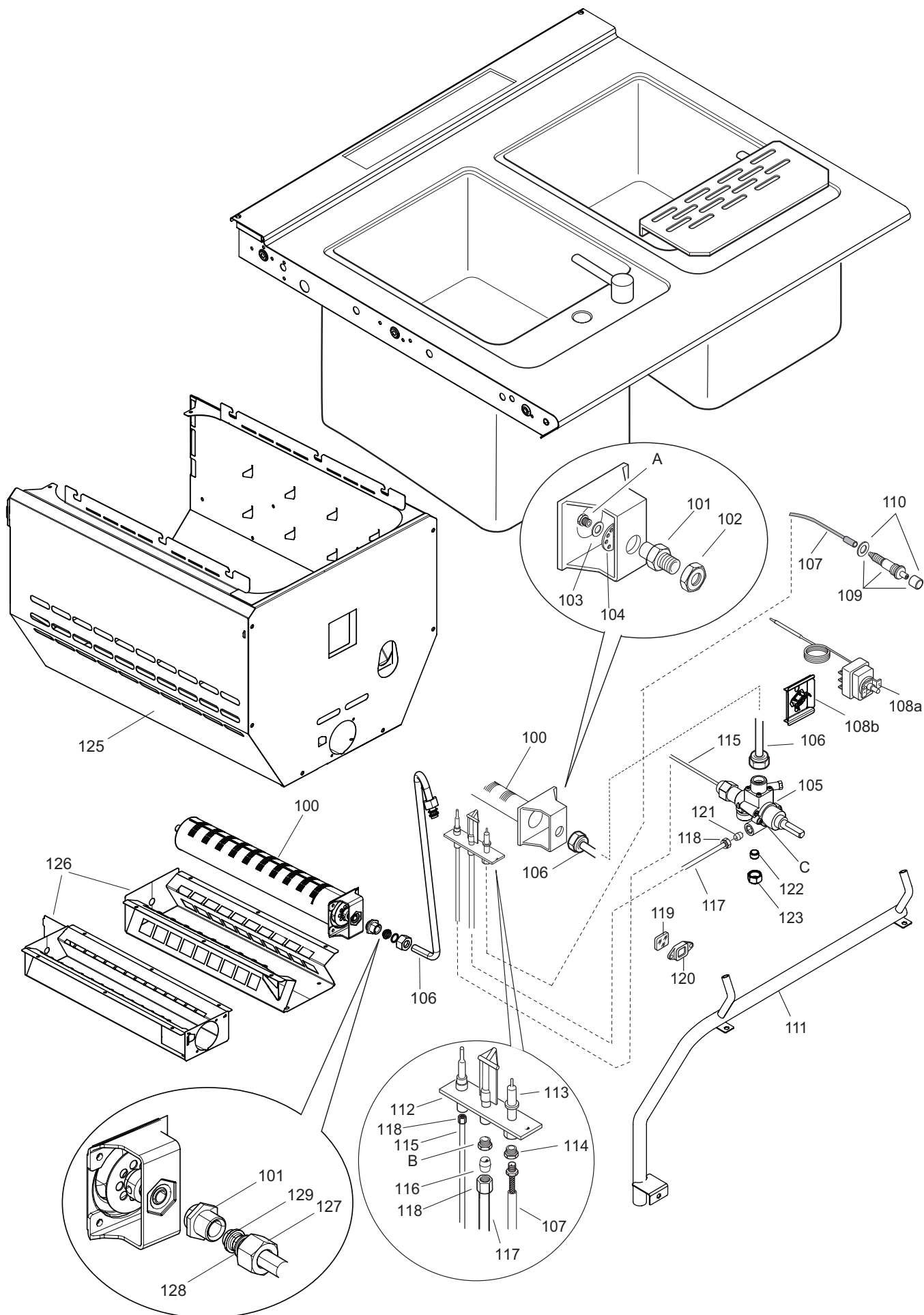
Idraulic circuit (water) / Componenti impianto idraulico (acqua)



FROM 2013/38 - DA MATRICOLA 2013/38

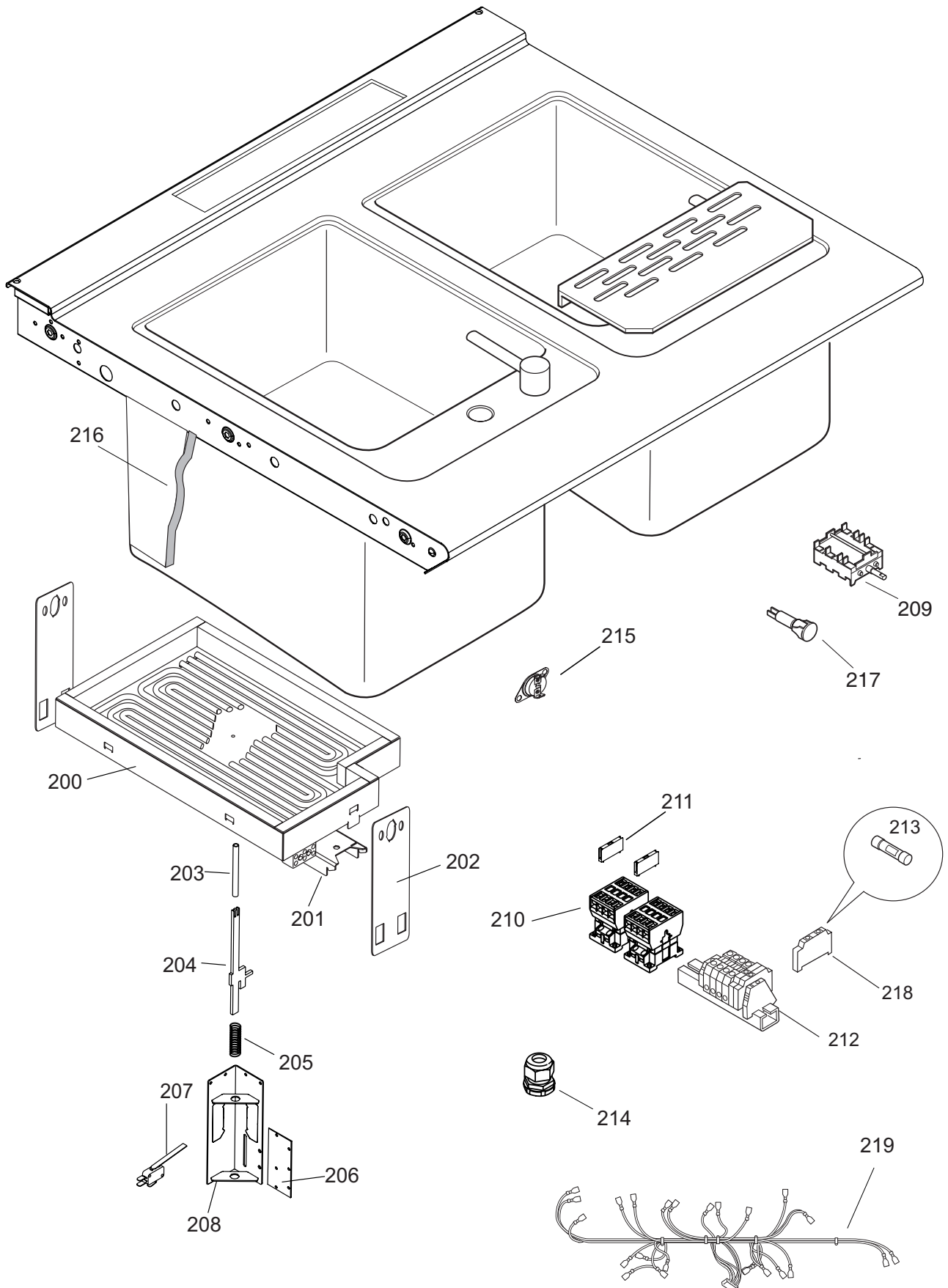
Idraulic circuit (water) / Componenti impianto idraulico (acqua)





UP TO S/N 2018/24 - FINO A MATRICOLA 2018/24

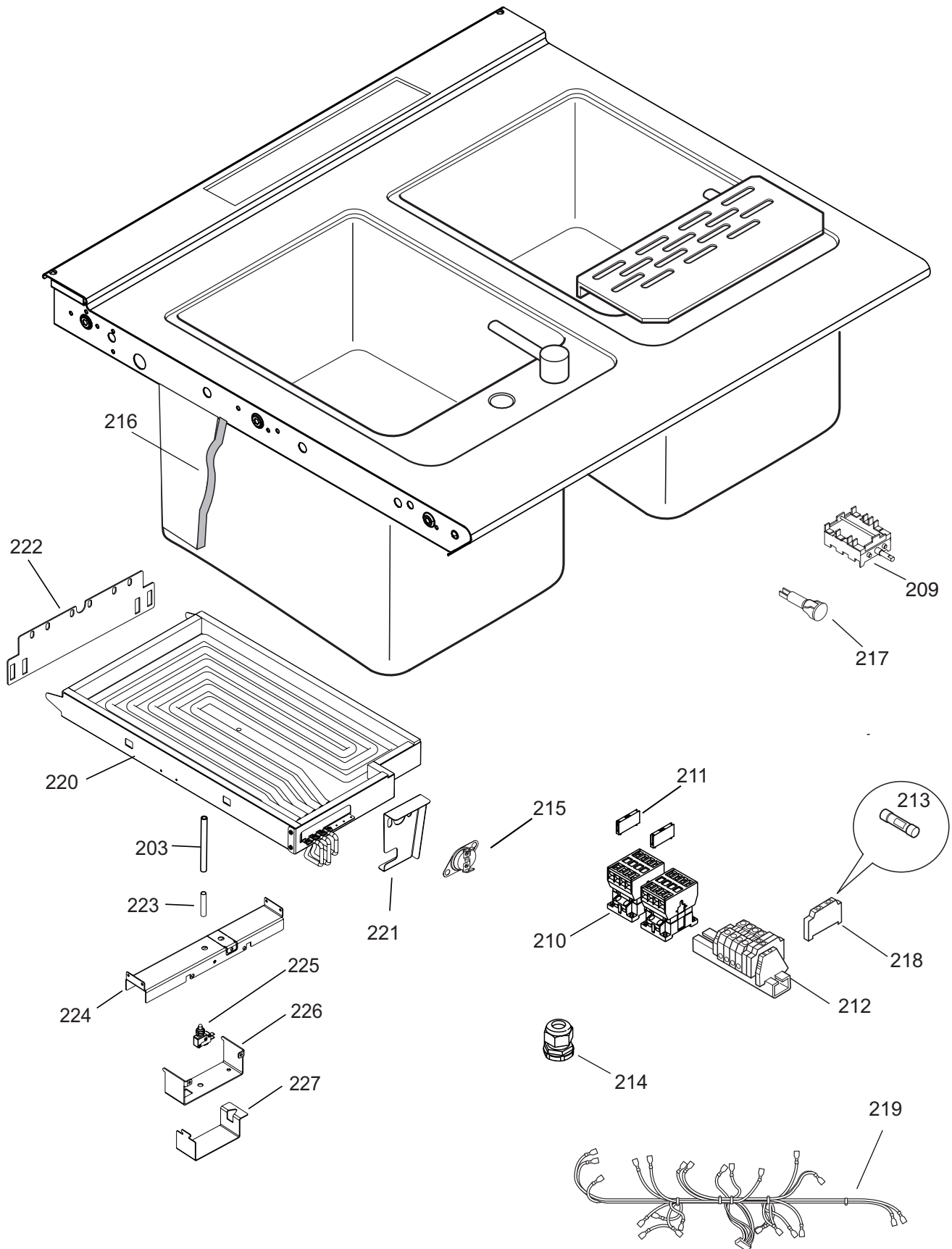
Electric components / Componenti elettrici



Actual wire harness may be different from illustration.
Il cablaggio elettrico puo' essere diverso dall'illustrazione

FROM S/N 2018/25 - DA MATRICOLA 2018/25

Electric components / Componenti elettrici



Actual wire harness may be different from illustration.
Il cablaggio elettrico puo' essere diverso dall'illustrazione

A - Ugello bruciatore / Burner nozzle					
Code	Spare Code	Reference			Ref / PNC
514899200	005934	ø2.05	3+3B/P	G30 30mbar	
516821700	003514	ø1.95	3B/P	G30 37mbar	
514833600	054631	ø1.80	3B/P	G30 50mbar	
514831200	054034	ø3.00	2H/2E+	G20 20mbar	
516844100	006419	ø2.90	2H	G20 25mbar	
514869900	058245	ø3.25	2L	G25 25mbar	
516844200	0C1733	ø3.05	2K	G25.3 25mbar	
516844400	0C9487	ø3.45	2ELL	G25 20mbar	
514869900	058245	ø3.25	2S	G25.1 25mbar	
514848900	055018	Ø2.20		Propane	KOREA market
516844100	006419	Ø2.90		Methane	KOREA market

B - Ugello pilota / Pilot nozzle					
Code	Spare Code	Reference			Ref / PNC
514833900	054286	n° 24	3+3B/P	G30 30mbar	
514833900	054286	n° 24	3B/P	G30 37mbar	
514833900	054286	n° 24	3B/P	G30 50mbar	
514831500	054037	n° 25	2H/2E+	G20 20mbar	
514831500	054037	n° 25	2H	G20 25mbar	
514831500	054037	n° 25	2L	G25 25mbar	
514831500	054037	n° 25	2K	G25.3 25mbar	
514831500	054037	n° 25	2ELL	G25 20mbar	
514831500	054037	n° 25	2S	G25.1 25mbar	
514833900	054286			Propane	KOREA market
514831500	054037			Methane	KOREA market

C - Vite di minimo / Min screw					
Code	Spare Code	Reference			Ref / PNC
0835820700	056742	ø1.10	3+3B/P	G30 30mbar	
0835802000	002392	ø0.95	3B/P	G30 37mbar	
0835802000	002392	ø0.95	3B/P	G30 50mbar	
0835837000	002993	ø1.80	2H/2E+	G20 20mbar	
0835837000	002993	ø1.80	2H	G20 25mbar	
0835837000	002993	ø1.80	2L	G25 25mbar	
0835837000	002993	ø1.80	2K	G25.3 25mbar	
0835837000	002993	ø1.80	2ELL	G25 20mbar	
0835837000	002993	ø1.80	2S	G25.1 25mbar	
0835820700	056742	ø1.10		Propane	KOREA market
0835837000	002993	ø1.80		Methane	KOREA market

CUOCI PASTA E900 XP
PASTA COOKER E900 XP

Pos	Factory Code	Spare Code	Descrizione	Description	Ref./Notes
1	835856900	0C0204	PIEDE	FOOT	
2	85089DY02	0CA526	ASSIEME FASCIA 400	SIDE PANEL 400	a,c
2	85089DZ02	0C9010	ASSIEME FASCIA 800	SIDE PANEL 800	b,d
2	85089F302	0CB643	ASSIEME FASCIA 400	SIDE PANEL 400	i,m,o,q
2	85089F402	0C8984	ASSIEME FASCIA 800	SIDE PANEL 800	l,n,p,r
3	87089A501	0C7619	RIPIANO / VASCA 400 MM	WORKTOP / TANK 400mm	c,u
3	870899Q01	0C7151	RIPIANO / VASCA 800 MM	WORKTOP / TANK 800mm	d
3	87089A601	0C7152	RIPIANO / VASCA 400 MM	WORKTOP / TANK 400mm	a
3	87089AW01	0C7153	RIPIANO / VASCA 800 MM	WORKTOP / TANK 800mm	b
3	87089AY01	0C7394	RIPIANO / VASCA 400 MM	WORKTOP / TANK 400mm	i,o
3	87089AZ01	0C7395	RIPIANO / VASCA 800 MM	WORKTOP / TANK 800mm	l,p
3	870899P01	0C7215	RIPIANO / VASCA 400 MM	WORKTOP / TANK 400mm	m,q,s
3	87089AX01	0C7393	RIPIANO / VASCA 800 MM	WORKTOP / TANK 800mm	n,r,t
4	85089BF02	0C7620	CRUSCOTTO 400mm	CONTROL PANEL 400mm	c,u
4	85089AF02	0C7136	CRUSCOTTO 800mm	CONTROL PANEL 800mm	d
4	85089AB02	0C7135	CRUSCOTTO 400mm	CONTROL PANEL 400mm	a
4	85089BD02	0C7138	CRUSCOTTO 800mm	CONTROL PANEL 800mm	b
4	85089FN01	0C7389	CRUSCOTTO 400mm	CONTROL PANEL 400mm	i
4	85089FP00	0C7390	CRUSCOTTO 800mm	CONTROL PANEL 800mm	l
4	87089GY01	0C7222	CRUSCOTTO 400mm	CONTROL PANEL 400mm	m
4	85089FM00	0C7388	CRUSCOTTO 800mm	CONTROL PANEL 800mm	n
4	800837Y00	*	CRUSCOTTO 400mm	CONTROL PANEL 400mm	q,s
4	800838000	*	CRUSCOTTO 800mm	CONTROL PANEL 800mm	r,t
4	800838100	*	CRUSCOTTO 400mm	CONTROL PANEL 400mm	o
4	800837Z00	*	CRUSCOTTO 800mm	CONTROL PANEL 800mm	p
5a	50389GX03	0CA064	FONDO CP EL. 1/2M EVOLUTION	1/2M EL. PASTA COOKER BOTTOM	c,i,o
5a	50389GY03	0CA085	FONDO CP EL. 1M EVOLUTION	1M EL. PASTA COOKER BOTTOM	d,l,p
5	527850500	0C0156	PIASTRA FISSAGGIO FIANCHI	SIDE PANEL JOINTING PLATE	
6	51589A700	0C7164	MANIGLIA	HANDLE	a,b,c,d,
6	54887A802	0C8190	MANIGLIA	HANDLE	i,l,m,n
6	854864203	0A5021	MANIGLIA	HANDLE	o,p,q,r
7	516860901	0C0139	CERNIERA SUP.	UPPER. HINGE, DOOR	
7a	217033165	0C1761	VITE TCEI M5X16 UNI 5931 AISI 304	SCREW TCEI M5X16 UNI 5931 AISI 304	
8	516860801	0C0138	CERNIERA INF.	BOTTOM HINGE, DOOR	
9	50389G300	0C7157	PORTA	DOOR	a,b,c,d,i,l,m,n
9	50389MB01	*	PORTA	DOOR	o,p,q,r
10	50489CQ00	0C7158	CONTROPORTA	INNER DOOR OVEN	
11	565819900	0C4433	DISTANZIALE PORTA	DOOR SPACER	
*	85089AA02	0C7156	ASSIEME PORTA (SENZA MANIGLIA)	COMPLETE DOOR (NO HANDLE)	a,b,c,d,i,l,m,n
*	85089JX02	0C8358	ASSIEME PORTA (SENZA MANIGLIA)	COMPLETE DOOR (NO HANDLE)	o,p,q,r
12	541813800	0C6171	RONDELLA IN SILICONE	SILICONE WASHER	
13	214590701	025245	MOLLETTA PER MANOPOLA	KNOB SPRING	ZAN, ALPEN
13	54887AQ00	0C8716	ADATTATORE MANOPOLA diam.10	KNOB ADAPTER diam.10	ELUX - a,b,c,d,u
14	830898200	0C0201	MAGNETE	MAGNET, DOOR	
15	548877Y00	0C7134	GHIERA COMMUTATORE EL.	RING, KNOB SWITCH ELECTRIC	a,b,c,d
15	548876G01	0C6802	GHIERA RUBINETTO ACQUA	RING, KNOB WATER REGULATION	a,b,c,d
15	548877X00	0C7178	GHIERA RUBINETTO GAS	RING, KNOB GAS REGULATION	a,b Up to 2024/46
15	54887FG00	0CBB0Q	GHIERA RUBINETTO GAS	RING, KNOB GAS REGULATION	a,b From 2024/47

CUOCI PASTA E900 XP
PASTA COOKER E900 XP

Pos	Factory Code	Spare Code	Descrizione	Description	Ref./Notes
15	54887A400	0C7386	GHIERA COMMUTATORE	RING, KNOB SWITCH ELECTRIC	i,l,m,n
15	548879H00	0C7385	GHIERA RUBINETTO ACQUA	RING, KNOB WATER REGULATION	i,l,m,n
15	54887A300	0C7938	GHIERA RUBINETTO GAS	RING, KNOB GAS REGULATION	m,n
15	54887A400	0C7386	GHIERA COMMUTATORE	RING, KNOB SWITCH	o,p,q,r
15	548879H00	0C7385	GHIERA RUBINETTO ACQUA	RING, KNOB WATER REGULATION	o,p,q,r
15	54887A300	0C7938	GHIERA RUBINETTO GAS	RING, KNOB GAS REGULATION	q,r
16	543821000	053816	GUARNIZIONE X MANOPOLA	GASKET, KNOB	
17	F206236	0C9938	CESTO CUOCIPASTA QUADRATO 1/6	SQUARE BASKET 1/6; PASTA COOKER	
18	54887AW00	0C8646	MANOPOLA RUBINETTO ACQUA E GAS	KNOB WATER AND GAS REGULATOR	ELUX - a,b,c,d,u
18	548878001	0C7180	MANOPOLA RUBINETTO ACQUA E GAS	KNOB WATER AND GAS REGULATOR	ZAN - i,l,m,n
18	548865700	0C1380	MANOPOLA RUBINETTO ACQUA E GAS	KNOB WATER AND GAS REGULATOR	ALPEN - o,p,q,r
18	548877W00	0C8700	MANOPOLA COMMUTATORE	KNOB SWITCH	ELUX - a,b,c,- d,e,f,u
18	548878201	0C7232	MANOPOLA COMMUTATORE (senza molletta)	KNOB SWITCH (without SPRING)	ZAN - i,l,m,n
18	548865500	0A5621	MANOPOLA COMMUTATORE (senza molletta)	KNOB SWITCH (without SPRING)	ALPEN - o,p,q,r
18	548876V00	0C8295	MANOPOLA RUBINETTO ACQUA E GAS	KNOB WATER AND GAS REGULATOR	KIP - s,t
19	218912211	069567	MOLLETTA PER GHIERA	RING, RING KNOB	
20	50489CR02	0C8212	PANNELLO FRONTALE 400mm	FRONTAL PANEL 400mm	c,i,o,u up to 2013/19
20	50489CR03	0CA416	PANNELLO FRONTALE 400mm	FRONTAL PANEL 400mm	c,i,o,u from 2013/20
20	50489D403	*	PANNELLO FRONTALE 800mm	FRONTAL PANEL 800mm	d,l,p up to 2013/19
20	50489Y500	0CB629	PANNELLO FRONTALE 800mm	FRONTAL PANEL 800mm	d,l,p from 2013/20
20a	*	0CA417	KIT pos. 20 (0CA416) + pos. 41 (0C9410)	KIT pos. 20 (0CA416) + pos. 41 (0C9410)	Up to 2018/24
21a	506864501	004836	FILTRO TROPPOPIENO Ø 50	OVERFLOW FILTER Ø 50	except for KIP
21b	506899Z01	0C6960	FILTRO FONDO Ø 34	BOTTOM FILTER Ø 34	Also overflow for KIP
22	514848300	054905	MOLLA PER FILTRO FONDO	SPRING, FILTER	
23	528822601	0C0559	SGOCCIOLATOIO	DRAINING BOARD	Up to 2024/46
23	50089HJ00	0CBCQT	SGOCCIOLATOIO	DRAINING BOARD	From 2024/47
24	511832304	0C5567	GETTO ACQUA	WATER NOZZLE	Up to 2024/46
24	83089QY00	0CBCQY	GETTO ACQUA	WATER NOZZLE	From 2024/47
25	50389LP00	0C7333	GRIGLIA CAMINO	CHIMNEY GRID	
26	F927213	056918	CESTO CUOCIPASTA TONDO 1/6	ROUND BASKET 1/6; PASTA COOKER	
26	F927212	056917	CESTO CUOCIPASTA TONDO 1/3	ROUND BASKET 1/3; PASTA COOKER	
27	F926210	056915	CESTO CUOCIPASTA GN1/3	BASKET GN1/3; PASTA COOKER	
27	F927211	056916	CESTO CUOCIPASTA GN1/2	BASKET GN1/2; PASTA COOKER	
28	F927216	056920	CESTO CUOCIPASTA GN1/1	BASKET GN1/1; PASTA COOKER	
29	F927219	056922	GRIGLIA DI FONDO	FALSE BOTTOM, PASTA COOKER	
29	0878850200	0C1902	GRIGLIA DI FONDO	FALSE BOTTOM, PASTA COOKER	a,c,d 9F206238 WATERMARK
30	*	0C9655	KIT PIASTRA GIUNZIONE	KIT JOINTING REAR PLATE	Screws and plate
31	835876801	0C8648	RUBINETTO CARICO ACQUA	INLET WATER TAP	TB PDX2013-03 From 2012/39
31	A05001400	056843	VALVOLA CARICO ACQUA	INLET VALVE	Up to 2012/38
32	A05537100	0A2563	ADATTATORE VALVOLA	VALVE ADAPTER	Up to 2012/38
33	51489AX00	0C7229	PERNO MANOPOLA	HINGE KNOB	Up to 2012/38
34	219034011	*	SEGER	SEGER	Up to 2012/38
*	80589AP01	0C7193	ASSIEME RUBINETTO	COMPLETE INLET VALVE	Up to 2012/38
35	514839100	0C5056	PORTAGOMMA	PIPE CONNECTION	Up to 2012/38

CUOCI PASTA E900 XP
PASTA COOKER E900 XP

Pos	Factory Code	Spare Code	Descrizione	Description	Ref./Notes
36	516875100	0C8993	CONTRODADO	NUT	Up to 2012/38
37	83089DB01	0C7194	RIBALTA ACQUA	WATER PIPING	a,c,i,m,o,q 1x40 WELL Up to 2012/38
37	83089DC01	0C7623	RIBALTA ACQUA	WATER PIPING	b,d,l,n,p,r 2x40 WELL Up to 2012/38
38	544825P00	0C9200	TUBO SCARICO	DRAIN PIPE	From 2012/39 Up to 2015/20
38	544825Z00	0CA373	TUBO SCARICO	DRAIN PIPE	From 2015/21
39	544825F00	0C7133	TUBO TROPPO PIENO	TOO FULL PIPE	From 2012/39
39	544801102	056888	TUBO TROPPO PIENO	OVERFLOW FULL PIPE	208V
40	543827500	0C6800	GUARNIZIONE OR	OR GASKET	From 2012/39
41	50689DG00	0C9410	MANIGLIA SCARICO	DRAIN HANDLE	From 2013/20 Up to 2018/24
42	544825900	0C6907	CONVOGLIATORE DI SCARICO	DRAIN JUNCTION	From 2012/39
43	80589A301	0C6799	VALVOLA SCARICO	DRAIN VALVE	From 2012/39
44	544825K00	0C8501	FILTRO INGRESSO 2 VASCHE	INLET FILTER 2 WELLS	TB PDX2013-03 From 2012/39
44	544825J00	0C8502	FILTRO INGRESSO 1 VASCHE	INLET FILTER 1 WELLS	TB PDX2013-03 From 2012/39
45	544825S00	0C9203	TUBO ENTRATA ACQUA	INLET WATER PIPE	TB PDX2013-03 From 2012/39 2METERS
46	518613100	049888	FASCETTA PICCOLA CARICO ACQUA	SMALL CLAMP BAND INLET WATER	From 2012/39
46a	518825C00	0C9201	FASCETTA GRANDE SCARICO ACQUA	BIG CLAMP BAND DISCHARGE W.	From 2012/39
46b	518613300	0L2728	FASCETTA GRANDE TROPPOPIENO	BIG CLAMP BAND OVERFLOW.	From 2012/39
47	511851900	0C9205	MANICOTTO	EXTENSION	From 2012/39 Up to 2013/38
48	511851800	0C9204	NIPPLO 1" 7/1	CONNECTION 1" 7/1	From 2012/39 Up to 2013/38
50	505899T03	0TTA07	PIASTRINA SCARICO	DRAIN PLATELET INDICATOR	Except for KIP Up to 2016/08
50	50589L700	*	PIASTRINA SCARICO	DRAIN PLATELET INDICATOR	Except for KIP From 2016/09
51	50689DY00	0C9743	DIMA FORATURA	DRILL JIG	TB PDX2013-03
52	855899X02	0C6953	ASSIEME RACCORDO DI SCARICO	COMPLETE DRAIN JUNCTION	TB PDX2013-04 Up to 2015/48
52	855899X06	0CA490	ASSIEME RACCORDO DI SCARICO (37a+37b+37c+37d+37e)	SUPPORT, RAD. PLATE (37a+37b+37c+37d+37e)	From 2015/49
52a	544825903	0CA570	RACCORDO	JUNCTION	From 2015/49
52b	516899A02	0CA571	ANELLO ELASTICO	SEIGER RING	From 2015/49
52c	206800101	0CA463	ROSETTA PIANA	WASHER	From 2015/49
52d	80589A303	0CA464	VALVOLA A SFERA	BALL VALVE	From 2015/49
52e	543827500	0C6800	OR	OR	From 2015/49
53	83089JZ01	0C9633	RIBALTA ACQUA AISI	WATER PIPE STAINLESS STEEL	1x40 WELL a,c,i,m,o,q
53	83089KF02	0C9740	KIT COMPLETO RIBALTA AISI	KIT COMPLETE WATER INLET S.S	TB PDX2013-03 1x40 WELL a,c,i,m,o,q
53	83089K001	0C9634	RIBALTA ACQUA AISI	WATER PIPE STAINLESS STEEL	2x40 WELL b,d,l,n,p,r
53	83089KG02	0C9741	KIT COMPLETO RIBALTA AISI	KIT COMPLETE WATER INLET S.S	TB PDX2013-03 2x40 WELL b,d,l,n,p,r
54	516875100	0C8993	DADO FISSAGGIO	FIXING NUT	
55	835877Z00	0C9635	RUBINETTO+PROLUNGA	WATER TAP + EXTENSION	
56	518613100	049888	FASCETTA GETTO ACQUA	CLAMP BAND WATER NOZZLE	

CUOCI PASTA E900 XP
PASTA COOKER E900 XP

Pos	Factory Code	Spare Code	Descrizione	Description	Ref./Notes
57	518803100	0C7118	INSERTO FILETTATO M5	THREADED BUSH M5	TO FIX POS.53
100	83089DV01	0C8028	BRUCIATORE	BURNER	Up to 2024/46
100	83089QX00	0C8028	BRUCIATORE	BURNER	From 2024/47
101	514829700	054118	PORTAUGELLO	INJECTOR HOLDER	
102	214105101	020997	CONTRODADO	LOCK NUT	
103	506833401	054029	GUARNIZIONE	GASKET	
104	830828001	054039	AERATORE	AERATOR	
105	835875R00	0C7371	RUBINETTO GAS	GAS TAP	Up to 2012/20 PDX2012-05
105	835875R01	0C8647	RUBINETTO GAS	GAS TAP	From 2012/21 PDX2012-05
106	80589AN00	0C8029	CONDOTTA GAS	GAS PIPE	Up to 2024/46
106	80589GV00	0C8029	CONDOTTA GAS	GAS PIPE	From 2024/47
107	80589BY00	0C9198	CAVETTO ACCENSIONE CON GUAINA	SPARK PLUG CABLE (sheathed)	700MM - LONG
107	638883500	006514	OLD CAVO ELETTRODO	OLD SPARK PLUG CABLE	Up to 2013/23
108a	646809901	005295	TERMOSTATO SIC. LIMITATORE	SAFETY THERMOSTAT	a,b,m,n,q,r (gas) Up to 2024/46
108b	646817U00	0C9198	CLIXON INTERCONTROL 162471.052 A25 T120°C	CLIXON INTERCONTROL 162471.052 A25 T120°C	a,b,m,n,q,r (gas) From 2024/47
109	835834900	002605	VECCHIO KIT ACCENDITORE (AC-C+TAPPO+RONDEL)	OLD KIT IGNITER (IGN+BUT-TON+WASHER)	Up to 2013/24
109	835834901	0C9240	VECCHIO KIT ACCENDITORE (AC-C+TAPPO+RONDEL)	OLD KIT IGNITER (IGN+BUT-TON+WASHER)	
109	835829600	059251	ACCENDITORE	IGNITER	
109	541809001	0C9407	TAPPO DI GOMMA	RUBBER TOP BUTTON	From 2013/25, interchangeable on 0C9240
109	516814601	0C9408	RONDELLA	WASHER	From 2013/25, interchangeable on 0C9240
110	*	0C9409	TAPPO DI GOMMA + RONDELLA	RUBBER TOP BUTTON + WASHER	From 2013/25, interchangeable on 0C9240
111	83089DD00	0C8030	RIBALTA GAS	INLET GAS PIPE	b,d,l,n,p,r; 2x40 WELL
111	83089DA00	0C8031	RIBALTA GAS	INLET GAS PIPE	a,c,i,m,o,q; 1x40 WELL
112	830828100	054032	BRUCIATORE PILOTA	PILOT BURNER	
113	330272401	052610	ELETTRODO; ACCENSIONE	ELECTRODE	
114	214164101	057960	RACCORDO	PIPE FITTING	
115	831818901	0C3162	TERMOCOPPIA INTERROTTA	THERMOCOUPLE	
116	515827401	053665	BICONO	DOUBLE CONE	
117	51589A901	0C8032	CONDUTTURA PILOTA	PIPE, PILOT	Up to 2024/46
117	51589DN00	0C8032	CONDUTTURA PILOTA	PIPE, PILOT	From 2024/47
118	214164400	052125	RACCORDO	PIPE FITTING	
119	206260400	057382	VETRO SPIA	GLASS	
120	275290025	057400	CORNICE VETRO	FRAME	
121	215199700	052127	BICONO	DOUBLE CONE	
122	215170716	050682	OGIVA DA 12	DOUBLE CONE	
123	214111412	050670	DADO M 20 X 1,5	NUT	
125	50489GL01	0TTS72	ASSIEME CAMERA DI COMBUSTIONE	COMBUSTION CHAMBER ASSEMBLY	Up to 2024/46
125	85589RX01	0CBCSY	ASSIEME CAMERA DI COMBUSTIONE	COMBUSTION CHAMBER ASSEMBLY	From 2024/47
126	50589AR02	0C7162	CONVOGLIATOIRE BRUCIATORE	BURNER CONVEYOR	Up to 2024/46

CUOCI PASTA E900 XP
PASTA COOKER E900 XP

Pos	Factory Code	Spare Code	Descrizione	Description	Ref./Notes
126	5048A0Z01	0CBCUI	CONVOGLIATOIRE BRUCIATORE	BURNER CONVEYOR	From 2024/47
127	518818300		RACCORDO M15X1 F CH.19	PIPE FITTING M15X1 F CH.19	From 2024/47
128	51489GF00		ANELLO (RONDELLA) FRIZIONE X PIPE D.10 - DADO M16X1.5.	RING	From 2024/47
129	511833800	0C9732	RACCORDO M16 - D10 - F	PIPE FITTING M16 - D10 - F	From 2024/47
200	617839301	0C7621	RESISTENZA	HEATING ELEMENT	Up to 2018/24 See TB PDX2018-03
201	50589AH00	0CA609	SUPPORTO RESISTENZA LONGITUDINALE	H.E. SUPPORT, CROSSWISE	Up to 2018/24 See TB PDX2018-03
202	538831803	0TT0A2	SUPPORTO STAFFA RESISTENZA	H.E. SUPPORT BRAKET	Up to 2018/24 See TB PDX2018-03
203	569807501	0C8182	BACCHETTA IN STEATITE	CERAMIC ROD	
204	511833003	0C5964	ASTA AZIONAMENTO MICRO	SLIDE BAR	Up to 2018/24 See TB PDX2018-03
205	514828600	053819	MOLLA	SPRING	Up to 2018/24 See TB PDX2018-03
206	246214023	045404	PIASTRINA ISOLANTE MICRO	MICRO INSULATION	Up to 2018/24 See TB PDX2018-03
207	640800800	053671	MICRO-INTERRUTTORE	MICROSWITCH	Up to 2018/24 See TB PDX2018-03
208	538831903	0CA537	SICUREZZA MECCANICA	SECURITY SUPPORT	Up to 2018/24 See TB PDX2018-03
209	641805101	0C7353	COMMUTATORE	SWITCH	ELUX – c,d,u ZAN – i,l ALPEN – o,p
210	648807900	0C7622	CONTATTORE	CONTACTOR	
211	H58194500	0C4704	BASSETTA CONTATTO AUSILIARIO	BASE FOR AUXILIARY CONTACT	
212	639806600	006854	MORSETTIERA	TERMINAL BOARD	
213	652806400	0C1884	FUSIBILE	FUSE	10 A
214	544802300	0C0068	PASSACAVO	TOGHTENER CORD	
215	653800000	0C6155	TERMOSTATO SIC (CLICSON)	SAFETY THERMOSTAT (CLICSON)	c,d,u,i,l,o,p (electric)
216	560873904	0CA200	ISOLAMENTO	INSULATION	Up to 2026/19
216	560874L01		ISOLAMENTO	INSULATION	From 2026/20
217	876800002	005010	LAMPADA VERDE	GREEN LAMP	
218	652603200	075737	PORTAFUSIBILE (barra din)	FUSE HOLDER (of din bar)	
219	638899T03	0C9678	ASSIEME CABLAGGIO ELETTRICO	WIRING HARNESS	c,i,o; 1x40 WELL up to 2026/19
219	638899T04		ASSIEME CABLAGGIO ELETTRICO	WIRING HARNESS	c,i,o; 1x40 WELL from 2026/20
219	638899U03	0CA119	ASSIEME CABLAGGIO ELETTRICO	WIRING HARNESS	d,l,p; 2x40 WELLS up to 2026/19
219	638899U04		ASSIEME CABLAGGIO ELETTRICO	WIRING HARNESS	d,l,p; 2x40 WELLS from 2026/20
220	61783AM01	0CB381	RESISTENZA	HEATING ELEMENT	From 2018/25 PDX2018-03
220	8P0285400	0TTZ21	RESISTENZA	HEATING ELEMENT	440V
221	50289H101	0CB475	SUPPORTO RESISTENZA	HEATING ELEMENT SUPPORT	From 2018/25 PDX2018-03

CUOCI PASTA E900 XP
PASTA COOKER E900 XP

Pos	Factory Code	Spare Code	Descrizione	Description	Ref./Notes
222	50489TZ02	0CB474	SUPPORTO STAFFA RESISTENZA	H.E. SUPPORT BRAKET	From 2018/25 PDX2018-03
223	51489DT02	0CB496	BOCCOLA OTTONE PER ASTINA	BRAS ROD	From 2018/25 PDX2018-03
224	50489T402	0CA958	SUPPORTO PER ASTINA E MICRO	SUPPORT FOR MICRO AND ROD	From 2018/25 PDX2018-03
225	640804N00	0CA553	MICRO-INTERRUTTORE	MICROSWITCH	From 2018/25 PDX2018-03
226	50589JP00	0TTIYH	BASE PER MICRO	MICROSWITCH BASE	From 2017/45
227	50789A000	0TTIYI	PROTEZIONE MICRO	MICROSWITCH PROTECTION	From 2017/45
*	080589FC00	0CB801	KIT WATERMARK	WATERMARK KIT	
*	*	0CB458	Kit manutenzione Cuocipasta gas N900 40LT	N900 40LT Gas Pasta cooker maintenance Kit	40LT Gas Pasta cooker (12+44+45+46+109+112+113+114+115+116+118+121+ nozzles TABLE B)
*	*	0CB459	Kit manutenzione Cuocipasta gas N900 40LT ogni 3 anni	N900 40LT Gas Pasta cooker 3rd year maintenance Kit	40LT Gas Pasta cooker (12+39+44+45+46+4x46b+109+112+113+114+115+116+118+121+nozzles TABLE B)
*	*	0CB460	Kit manutenzione Cuocipasta elettrici N700 40LT	N900 40LT Electric Pasta cooker maintenance Kit	40LT Electric Pasta cooker (12+44+45+46)
*	*	0CB461	Kit manutenzione Cuocipasta elettrici N700 40LT ogni 3 anni	N900 40LT Electric Pasta cooker 3rd year maintenance Kit	40LT Electric Pasta cooker (12+39+44+45+46+4x46b)
*	*	0CB462	Kit manutenzione Cuocipasta gas N900 2X 40LT	N900 2X 40LT Gas Pasta cooker maintenance Kit	2X 40LT Gas Pasta cooker (2x12+2x44+2x45+2x46+2x-109+2x112+2x113+2x-114+2x115+2x116+2x-118+2x121+ nozzles TABLE B)
*	*	0CB463	Kit manutenzione Cuocipasta gas N900 2X 40LT ogni 3 anni	N900 2X 40LT Gas Pasta cooker 3rd year maintenance Kit	2X 40LT Gas Pasta cooker (2x12+2x39+2x44+2x45+2x46+8x46b+2x109+2x-112+2x113+2x114+2x-115+2x116+2x118+2x121+ nozzles TABLE B)
*	*	0CB464	Kit manutenzione Cuocipasta elettrici N900 2X 40LT	N900 2X 40LT Electric Pasta cooker maintenance Kit	2X 40LT Electric Pasta cooker (2x12+2x-44+2x45+2x46)
*	*	0CB465	Kit manutenzione Cuocipasta elettrici N900 2X 40LT ogni 3 anni	N900 2X 40LT Electric Pasta cooker 3rd year maintenance Kit	2X 40LT Electric Pasta cooker (2x12+2x-39+2x44+2x45+2x-46+8x46b)