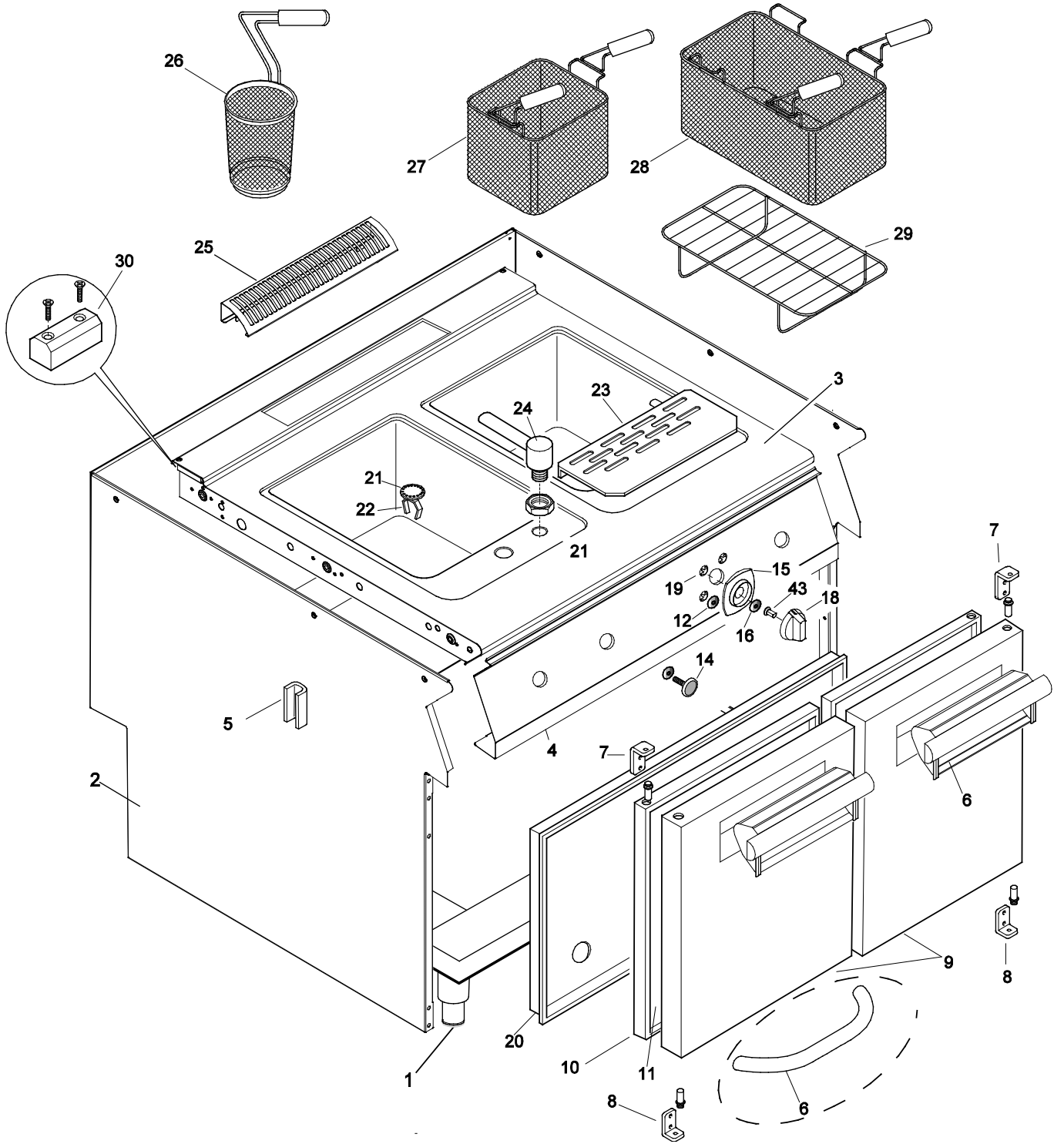


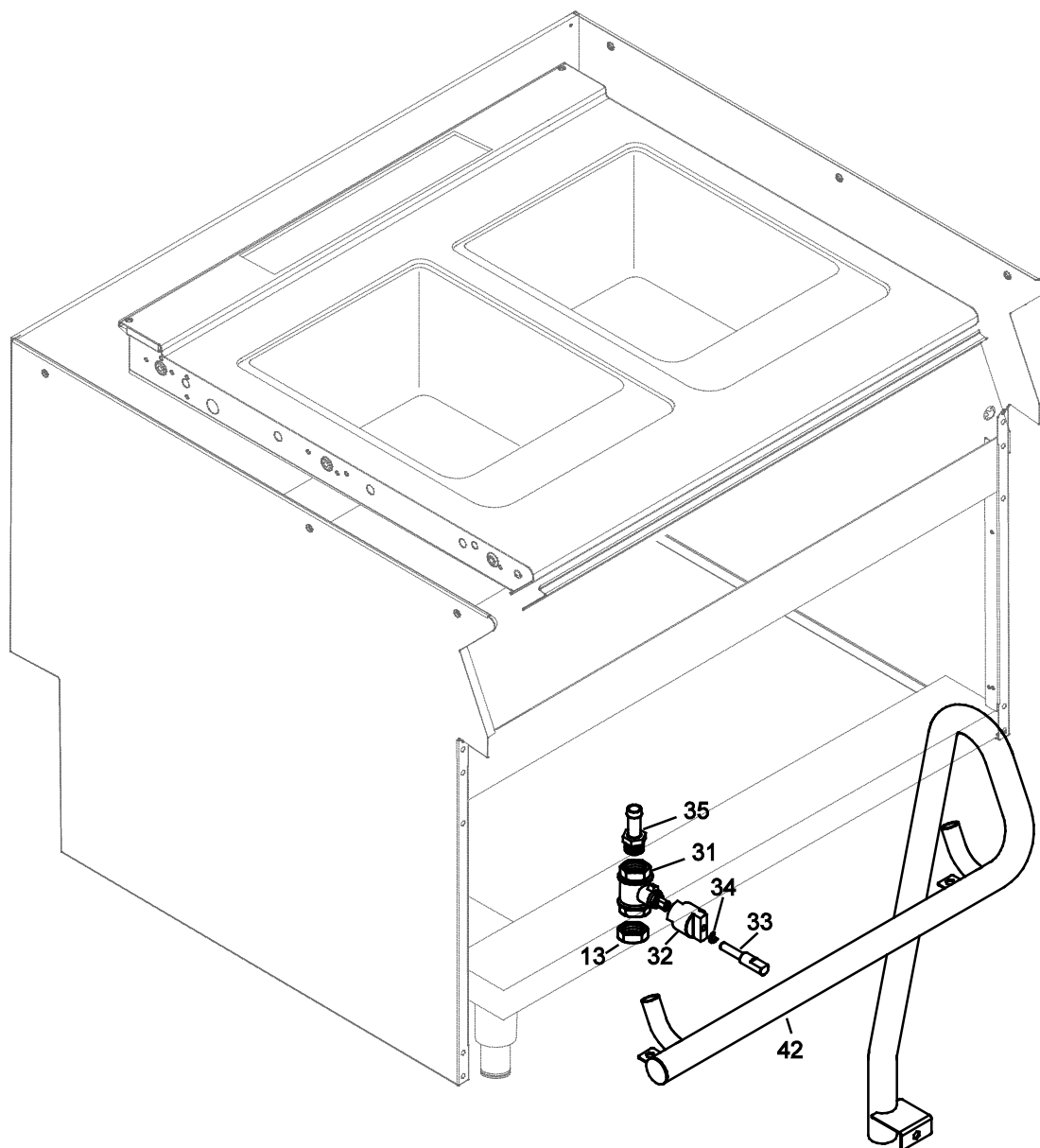
PNC	Model	Ref	Pag.	Brand	Version	Notes
391111	E9PCGD1MF0	a		ELX	GAS	1X40 LT WELL
391112	E9PCGH2MF0	b		ELX	GAS	2X40 LT WELLS
391126	E9PCED1MF0	c		ELX	EL	1X40 LT WELL
391127	E9PCEH2MF0	d		ELX	EL	2X40 LT WELLS
392126	Z9PCED1MF0	i		ZAN	EL	1X40 LT WELL
392127	Z9PCEH2MF0	l		ZAN	EL	2X40 LT WELLS
392111	Z9PCGD1MF0	m		ZAN	GAS	1X40 LT WELL
392112	Z9PCGH2MF0	n		ZAN	GAS	2X40 LT WELLS
393126	A9PCED1MF0	o		OEM	EL	1X40 LT WELL
393127	A9PCEH2MF0	p		OEM	EL	2X40 LT WELLS
393111	A9PCGD1MF0	q		OEM	GAS	1X40 LT WELL
393112	A9PCGH2MF0	r		OEM	GAS	2X40 LT WELLS

Pag	Index	Indice	Note
2	General componets	Componenti struttura	
3	OLD hydraulic circuit	Vecchio impianto idraulico	UNTILL SERIAL NUMBER 2 38 (YEAR 2012)
4	New hydraulic circuit	Nuovo impianto idraulico	FROM S/N 2 39 (YEAR 2012) UNTILL S/N 3 37 (YEAR 2013)
5	Gas components	Componenti Gas	
6	Electric Components	Componenti elettrici	
7	Gas nozzles	Ugelli per gas	
8, 9, 10	Spare parts list	Lista ricambi	



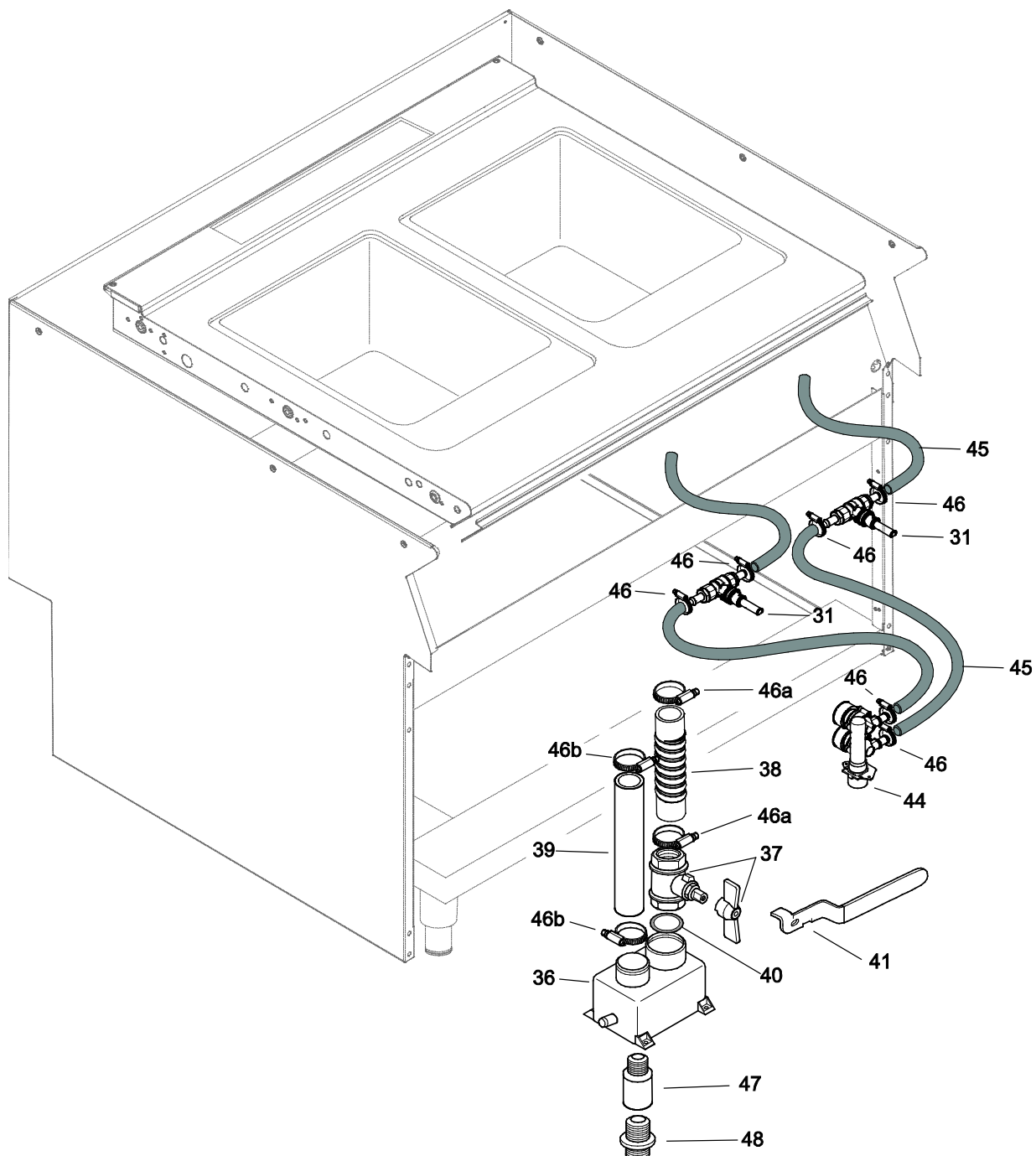
UNTILL SERIAL NUMBER 2 38 (YEAR 2012)
FINO A MATRICOLA 2 38 (ANNO 2012)

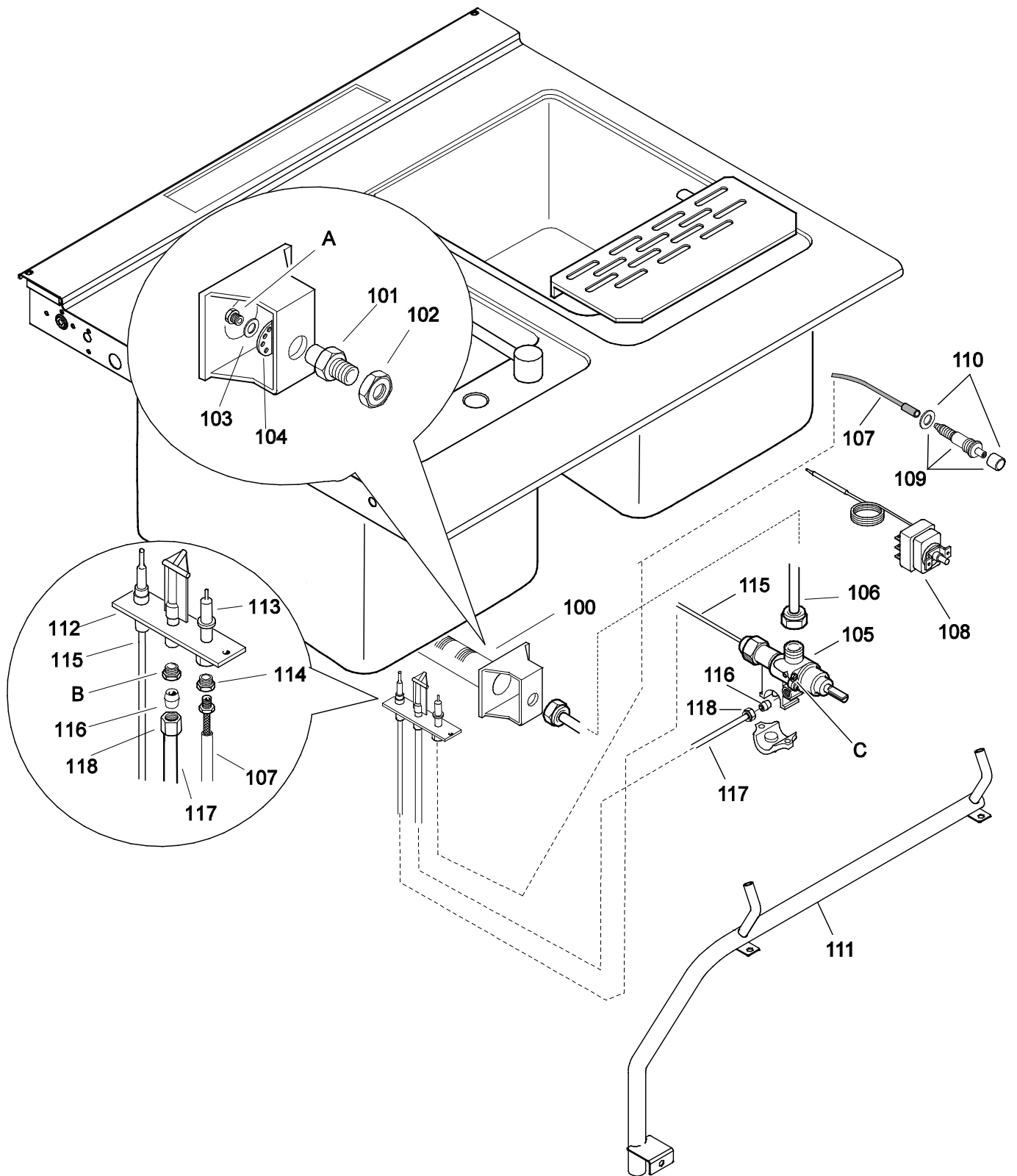
Idraulic circuit (water) / Componenti impianto idraulico (acqua)

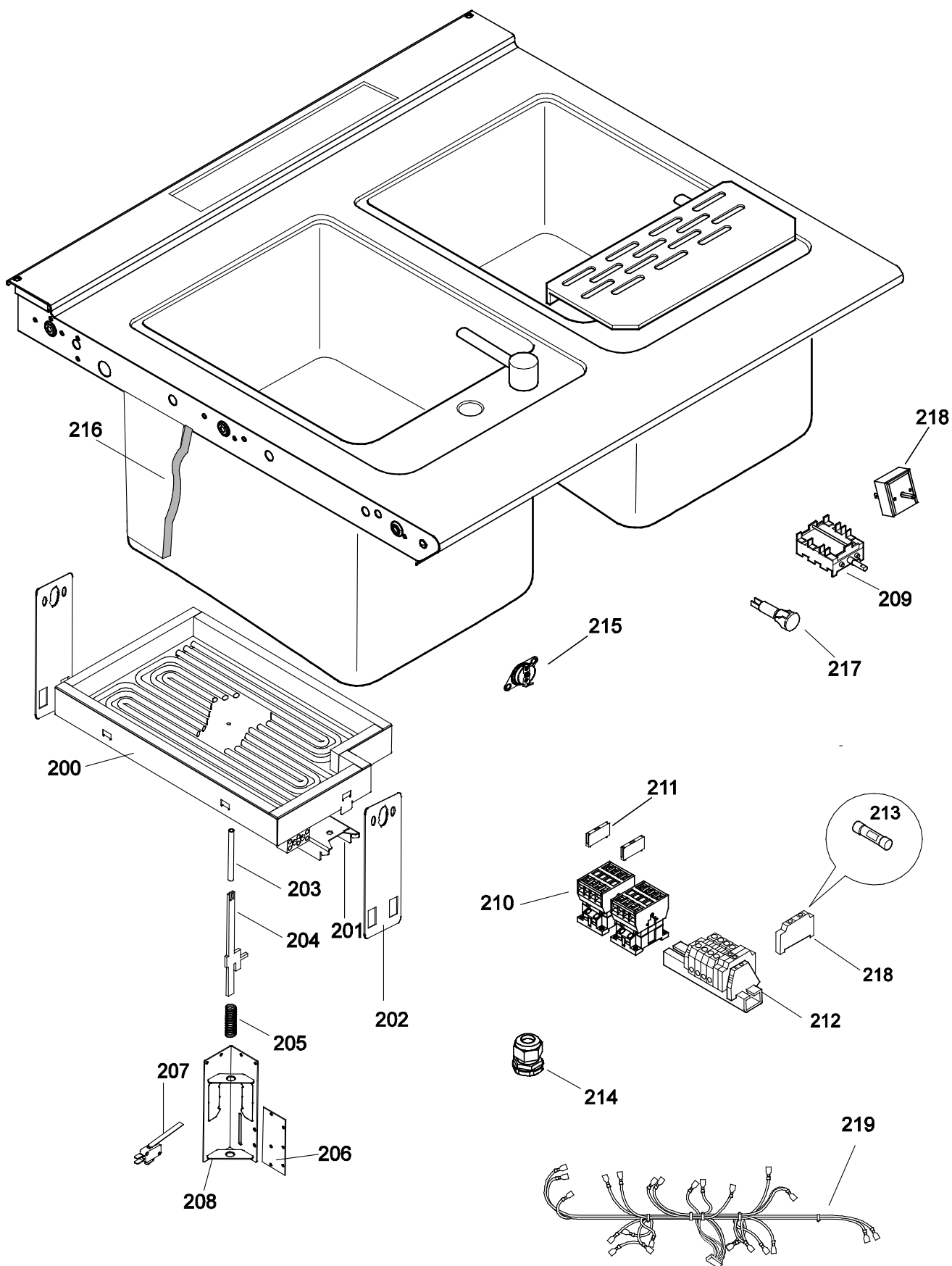


FROM S/N 2 39 - DA MATRICOLA S/N 2 39 (YEAR 2012)
UNTILL S/N 3 37 / FINO A MATRICOLA 3 37 (YEAR 2013)

Idraulic circuit (water) / Componenti impianto idraulico (acqua)







Actual wire harness may be different from illustration.
 Il cablaggio elettrico puo' essere diverso dall'illustrazione

A - Ugello bruciatore / Burner nozzle					
Code	Spare Code	Reference			Ref / PNC
514831200	005934	ø3.00	2H/2E+	G20	20mbar
516844100	006419	ø2.90	2H	G20	25mbar
516844400	-	ø3.45	2ELL	G25	20mbar
514869900	058245	ø3.25	2L	G25	25mbar
514899200	005934	ø2.05	3+3B/P	G30	30mbar
516821700	003514	ø1.95	3B/P	G30	37mbar
514833600	054631	ø1.80	3B/P	G30	50mbar
514869900	058245	ø3.25	2S	G25.1	25mbar
514848900	055018	Ø2.20		Propane	KOREA market
516844100	006419	Ø2.90		Methane	KOREA market

B - Ugello Pilota / Burner nozzle					
Code	Spare Code	Reference			Ref / PNC
514831500	054037	n° 25	2H/2E+	G20	20mbar
514831500	054037	n° 25	2H	G20	25mbar
514831500	054037	n° 25	2ELL	G25	20mbar
514831500	054037	n° 25	2L	G25	25mbar
514833900	054286	n° 24	3+3B/P	G30	30mbar
514833900	054286	n° 24	3B/P	G30	37mbar
514833900	054286	n° 24	3B/P	G30	50mbar
514831500	054037	n° 25	2S	G25.1	25mbar
514833900	054286			Propane	KOREA market
514831500	054037			Methane	KOREA market

C - Vite Minimo / Min Screw					
Code	Spare Code	Reference			Ref / PNC
0835837000	002993	ø1.80	2H/2E+	G20	20mbar
0835837000	002993	ø1.80	2H	G20	25mbar
0835837000	002993	ø1.80	2ELL	G25	20mbar
0835837000	002993	ø1.80	2L	G25	25mbar
0835820700	056742	ø1.10	3+3B/P	G30	30mbar
0835802000	002392	ø0.95	3B/P	G30	37mbar
0835802000	002392	ø0.95	3B/P	G30	50mbar
0835837000	002993	ø1.80	2S	G25.1	25mbar
0835820700	056742	ø1.10		Propane	KOREA market
0835837000	002993	ø1.80		Methane	KOREA market

**COUOCI PASTA E900 XP
PASTA COOKER E900 XP**

Pos	Factory Code	Spare Part Code	Descrizione	Description	Ref./Note
1	835856900	OC0204	PIEDE	FOOT	
2	85089DY01	*	ASSIEME FASCIA 400	SIDE PANEL 400	a,b,c,d,
2	85089DZ01	*	ASSIEME FASCIA 800	SIDE PANEL 800	a,b,c,d,
2	85089F301	*	ASSIEME FASCIA 400	SIDE PANEL 400	i,l,m,n,o,p,q,r
2	85089F401	*	ASSIEME FASCIA 800	SIDE PANEL 800	i,l,m,n,o,p,q,r
3	87089A501	*	RIPIANO / VASCA 400 MM	WORKTOP / TANK 400mm	c,d
3	870899Q01	OC7151	RIPIANO / VASCA 800 MM	WORKTOP / TANK 800mm	c,d
3	87089A600	OC7152	RIPIANO / VASCA 400 MM	WORKTOP / TANK 400mm	a,b
3	87089AW00	OC7153	RIPIANO / VASCA 800 MM	WORKTOP / TANK 800mm	a,b
3	87089AY01	*	RIPIANO / VASCA 400 MM	WORKTOP / TANK 400mm	i,l,o,p
3	87089AZ01	*	RIPIANO / VASCA 800 MM	WORKTOP / TANK 800mm	i,l,o,p
3	870899P00	OC7215	RIPIANO / VASCA 400 MM	WORKTOP / TANK 400mm	m,n,q,r
3	87089AX00	*	RIPIANO / VASCA 800 MM	WORKTOP / TANK 800mm	m,n,q,r
4	85089BF00	OC7620	CRUSCOTTO 400mm	CONTROL PANEL 400mm	c,d
4	85089AF00	OC7136	CRUSCOTTO 800mm	CONTROL PANEL 800mm	c,d
4	85089AB00	OC7135	CRUSCOTTO 400mm	CONTROL PANEL 400mm	a,b
4	85089BD00	OC7138	CRUSCOTTO 800mm	CONTROL PANEL 800mm	a,b
4	85089FN00	OC7389	CRUSCOTTO 400mm	CONTROL PANEL 400mm	i,l
4	85089FP00	OC7390	CRUSCOTTO 800mm	CONTROL PANEL 800mm	i,l
4	87089GY00	OC7222	CRUSCOTTO 400mm	CONTROL PANEL 400mm	m,n
4	85089FM00	OC7388	CRUSCOTTO 800mm	CONTROL PANEL 800mm	m,n
4	502899K00	*	CRUSCOTTO 400mm	CONTROL PANEL 400mm	o,p
4	502899Y00	*	CRUSCOTTO 800mm	CONTROL PANEL 800mm	o,p
4	502899Z00	*	CRUSCOTTO 400mm	CONTROL PANEL 400mm	q,r
4	502899N00	*	CRUSCOTTO 800mm	CONTROL PANEL 800mm	q,r
5	527850500	OC0156	PIASTRA FISSAGGIO FIANCHI	SIDE PANEL JOINTING PLATE	
6	51589A700	OC7164	MANIGLIA	HANDLE	a,b,c,d,
6	54887A800	OC8190	MANIGLIA	HANDLE	i,l,m,n
6	854864203	OA5021	MANIGLIA	HANDLE	o,p,q,r
7	516860901	OC0139	CERNIERA SUP.	UPPER. HINGE, DOOR	
8	516860801	OC0138	CERNIERA INF.	BOTTOM HINGE, DOOR	
9	50389G300	OC7157	PORTA	DOOR	a,b,c,d,i,l,m,n
9	50389G300	OC7157	PORTA	DOOR	o,p,q,r
10	50489CQ00	OC7158	CONTROPORTA	INNER DOOR OVEN	
11	565819900	OC4433	DISTANZIALE PORTA	DOOR SPACER	
*	85089AA02	OC7156	ASSIEME PORTA NO MANIGLIA	COMPLETE DOOR NOT HANLE	a,b,c,d,i,l,m,n
*	85089JX00		ASSIEME PORTA NO MANIGLIA	COMPLETE DOOR NOT HANLE	o,p,q,r
12	541813800	OC6171	RONDELLA IN SILICONE	SILICONE WASHER	
13	516875100	*	CONTRODADO	NUT	
14	830898200	OC0201	MAGNETE	MAGNET, DOOR	
15	548877Y00	OC7134	GHIERA COMMUTATORE EL.	RING, KNOB SWITCH ELECTRIC	a,b,c,d
15	548876G01	OC6802	GHIERA RUBINETTO ACQUA	RING, KNOB WATER REGULATION	a,b,c,d
15	548877X00	OC7178	GHIERA RUBINETTO GAS	RING, KNOB GAS REGULATION	a,b,c,d
15	54887A400	OC7386	GHIERA COMMUTATORE	RING, KNOB SWITCH ELECTRIC	i,l,m,n
15	548876G01	OC6802	GHIERA RUBINETTO ACQUA	RING, KNOB WATER REGULATION	i,l,m,n
15	54887A300	OC7938	GHIERA RUBINETTO GAS	RING, KNOB GAS REGULATION	i,l,m,n
15	54887A400	OC7386	GHIERA COMMUTATORE	RING, KNOB SWITCH	o,p,q,r
15	548879H00	OC7385	GHIERA RUBINETTO ACQUA	RING, KNOB WATER REGULATION	o,p,q,r
15	54887A300	OC7938	GHIERA RUBINETTO GAS	RING, KNOB GAS REGULATION	o,p,q,r
16	543821000	053816	GUARNIZIONE X MANOPOLA	GASKET, KNOB	
17	505899T01	OTTA07	PIASTRINA SCARICO	DRAIN PLATELET INDICATOR	a,b,m,n,p,q

COUOCI PASTA E900 XP
PASTA COOKER E900 XP

Pos	Factory Code	Spare Part Code	Descrizione	Description	Ref./Note
18	511850G01	0C6670	MANOPOLA	KNOB	a,b,c,d, Untill s/n 220 PDX2012-05
18	54887AW00	0C8646	MANOPOLA	KNOB	a,b,c,d, after s/n 221 PDX2012-05
18	548878201	0C7232	MANOPOLA RUBINETTO ACQUA	KNOB WATER REGULATOR	i,l,m,n
18	548878201	0C7232	MANOPOLA GAS E COMMUTATORE	KNOB, GAS AND SWITH	i,l,m,n
18	548865700	0C1380	MANOPOLA RUBINETTO ACQUA	KNOB WATER REGULATOR	o,p,q,r
18	548865500	0A5621	MANOPOLA GAS E COMMUTATORE	KNOB, GAS AND SWITH	o,p,q,r
19	218912211	069567	MOLLETTA PER GHIERA	RING, RING KNOB	
20	50489CR02	0C8212	PANNELLO FRONTALE 400mm	FRONTAL PANEL 400mm	c,d,i,l,o,p
20	50489D402	*	PANNELLO FRONTALE 800mm	FRONTAL PANEL 800mm	c,d,i,l,o,p
21	506864501	004836	FILTRO FONDO	BOTTOM FILTER	
22	514848300	054905	MOLLA PER FILTRO FONDO	SPRING, FILTER	
23	528822601	0C0559	SGOCCIOLATOIO	DRAINING BOARD	
24	511832302	0C5567	GETTO ACQUA	WATER TAP	
25	50389LP00	0C7333	GRIGLIA CAMINO	CHIMNEY GRID	
26	F927213	056918	CESTO CUOCIPASTA TONDO 1/6	ROUND BASKET 1/6; PASTA COOKER	
26	F927212	056917	CESTO CUOCIPASTA TONDO 1/3	ROUND BASKET 1/3; PASTA COOKER	
27	F926210	056915	CESTO CUOCIPASTA GN1/3	BASKET GN1/3; PASTA COOKER	
27	F927211	056916	CESTO CUOCIPASTA GN1/2	BASKET GN1/2; PASTA COOKER	
28	F927216	056920	CESTO CUOCIPASTA GN1/1	BASKET GN1/1; PASTA COOKER	
29	F927219	056922	GRIGLIA DI FONDO	FALSE BOTTOM, PASTA COOKER	
30	516860702	0C0137	PIASTRA GIUNZIONE APPARECC.	JOINTING REAR PLATE	
31	835876801	0C8648	RUBINETTO CARICO ACQUA	INLET WATER TAP	TB PDX2013-03 After s/n 239
31	A05001400	056843	VALVOLA CARICO ACQUA	INLET VALVE	Untill s/n 238
32	A05537100	0A2563	ADATTATORE VALVOLA	VALVE ADAPTER	Untill s/n 238
33	51489AX00	0C7229	PERNO MANOPOLA	HINGE KNOB	Untill s/n 238
34	219034011	*	SEGER	SEGER	Untill s/n 238
*	80589AP01	0C7193	ASSIEME RUBINETTO	COMPLETE INLET VALVE	Untill s/n 238
35	514839100	0C5056	PORTAGOMMA	PIPE CONNECTION	Untill s/n 238
36	544825900	0C6907	RACCORDO DI SCARICO	DRAIN JUNCTION	
37	80589A301	0C6799	VALVOLA SCARICO	DRAIN VALVE	
*	855899X00	0C6953	ASSIEME RACCORDO DI SCARICO	COMPLETE DRAIN JUNCTION	TB PDX2013-04
38	544825P00	0C9200	TUBO SCARICO	DRAIN PIPE	
39	544825F00	0C7133	TUBO TROPPO PIENO	TOO FULL PIPE	
40	543827500	0C6800	GUARNIZIONE OR	OR GASKET	
40*	516899A01	0C8456	ANELLO ELASTICO		
41	50689DG00	0C9410	MANIGLIA SCARICO	DRAIN HANDLE	
42	83089DB01	0C7194	RIBALTA ACQUA	WATER PIPING	a,c,i,m,o,q; 1x40 WELL, untill s/n 238
42	83089DC01	0C7623	RIBALTA ACQUA	WATER PIPING	b,d,l,n,p,r; 2x40 WELL, untill s/n 238
43	548877V00	0C7345	ADATTATORE MANOPOLA	KNOB ADAPTER	a,b,c,d,
44	544825K00	0C8501	FILTRO INGRESSO 2 VASCHE	INLET FILTER 2 WELLS	TB PDX2013-03 After s/n 239
44	544825J00	0C8502	FILTRO INGRESSO 1 VASCHE	INLET FILTER 1 WELLS	TB PDX2013-03 After s/n 239
45	544825S00	0C9203	TUBO ENTRATA ACQUA	INLET WATER PIPE	TB PDX2013-03 After s/n 239 ,2METERS
46	518613100	049888	FASCETTA PICCOLA CARICO ACQUA	SMALL CLAMP BAND INLET WATER	After s/n 239
46a	518825C00	0C9201	FASCETTA GRANDE SCARICO ACQUA	BIG CLAMP BAND DISCHARGE W.	After s/n 239
46b	518613300	0L2728	FASCETTA GRANDE TROPPOPIENO	BIG CLAMP BAND OVERFLOW.	After s/n 239
47	511851900	0C9205	MANICOTTO	EXTENSION	
48	511851900	0C9204	NIPPOLO 1" 7/1	CONNECTION 1" 7/1	
100	83089DV01	0C8028	BRUCIATORE	BURNER	

UNTILL S/N 3 37

Page: 9

Ed. 2013 05

Doc. Nr.: **059785GJ00**

COUOCI PASTA E900 XP
PASTA COOKER E900 XP

Pos	Factory Code	Spare Part Code	Descrizione	Description	Ref./Note
101	514829700	054118	PORTAUGELLO	INJECTOR HOLDER	
102	214105101	020997	CONTRODADO	LOCK NUT	
103	506833401	054029	GUARNIZIONE	GASKET	
104	830828001	054039	AERATORE	AERATOR	
105	835875R00	0C7371	RUBINETTO GAS	GAS TAP	Untill s/n 220 PDX2012-05
105	835875R01	0C8647	RUBINETTO GAS	GAS TAP	Afterl s/n 221 PDX2012-05
106	80589AN00	0C8029	CONDOTTA GAS	GAS PIPE	
107	80589BY00	0C9198	NUOVO CAVETTO ACCENSIONE CON GUAINA	NEW SPARK PLUG CABLE (sheathed)	700MM - LONG
107	638883500	006514	OLD CAVO ELETTRODO	OLD SPARK PLUG CABLE	Untill wk 323
108	646809901	005295	LIMITATORE	LIMITER	
109	835834901	0C9240	NUOVO KIT ACCENDITORE (ACC+TAPPO+RONDEL)	NEW KIT IGNITER (IGN+BUTTON+WASHER)	From wk 325
109	835834900	002605	VECCHIO KIT ACCENDITORE (ACC+TAPPO+RONDEL)	OLD KIT IGNITER (IGN+BUTTON+WASHER)	Untill wk 324, then out of production
109	835829600	059251	NUOVO ACCENDITORE	NEW IGNITER	Tutti pnc / all pnc
109	541809001	0C9407	NUOVO TAPPO DI GOMMA	NEW RUBBER TOP BUTTON	-From wk 325, interchangeable on 0C9240
109	516814601	0C9408	NUOVO RONDELLA	NEW WASHER	-From wk 325, interchangeable on 0C9240
110	*	0C9409	TAPPO DI GOMMA + RONDELLA	RUBBER TOP BUTTON + WASHER	From wk 325 interchangeable on 0C9240
111	83089DD00	0C8030	RIBALTA GAS	INLET GAS PIPE	a,c,i,m,o,q; 1x40 WELL
111	83089DA00	0C8031	RIBALTA GAS	INLET GAS PIPE	b,d,l,n,p,r; 2x40 WELL
112	830828100	054032	BRUCIATORE PILOTA	PILOT BURNER	
113	330272401	052610	ELETTRODO; ACCENSIONE	ELECTRODE	
114	214164400	052125	RACCORDO	PIPE FITTING	
115	831818901	0C3162	TERMOCOPPIA INTERROTTA	THERMOCOUPLE	
116	515827401	053665	BICONO	DOUBLE CONE	
117	51589A901	*	CONDUTTURA PILOTA	PIPE, PILOT	
118	214164400	052125	RACCORDO	PIPE FITTING	
200	617839301	0C7621	RESISTENZA	HEATING ELEMENT	
201	538831803	0C8032	SUPPORTO RESISTENZA	H.E. SUPPORT	
202	50589AH00	*	SUPPORTO RESISTENZA	H.E. SUPPORT	
203	569807501	0C8182	BACCHETTA IN STEATITE	CERAMIC ROD	
204	511833002	0C5964	ASTA AZIONAMENTO MICRO	SLIDE BAR	
205	514828600	053819	MOLLA	SPRING	
206	246214023	045404	PIASTRINA ISOLANTE MICRO	MICRO INSULATION	
207	640800800	053671	MICRO-INTERRUTTORE	MICROSWITCH	
208	538831902	*	SICUREZZA MECCANICA	SECURITY SUPPORT	
209	641805101	0C7353	COMMUTATORE	SWITCH	
210	648807900	0C7622	CONTATTORE	CONTACTOR	
211	H58194500	*	CONTATTO AUSILIARIO	AUXILIARY CONTACT	
212	639806600	006854	MOSETTIERA	TERMINAL BOARD	
213	652806400	0C1884	FUSIBILE	FUSE	10 A
214	544802300	0C0068	PASSACAVO	TOGHTENER CORD	
215	653800000	0C6155	PROTEZIONE TERMICA	THERMIC SECURITY	
216	560873901	*	ISOLAMENTO	INSULATION	
217	876800002	005010	LAMPADA VERDE	GREEN LAMP	
218	652603200	075737	PORTAFUSIBILE	FUSE HOLDER TERMINAL	
219	638899T02	*	ASSIEME CABLAGGIO ELETTRICO	WIRING HARNESS	c,i,o; 1x40 WELL
219	638899U02	*	ASSIEME CABLAGGIO ELETTRICO	WIRING HARNESS	d,l,p; 2x40 WELLS

UNTILL S/N 3 37

Page: 10

Ed. 2013 05

Doc. Nr.: 059785GJ00

