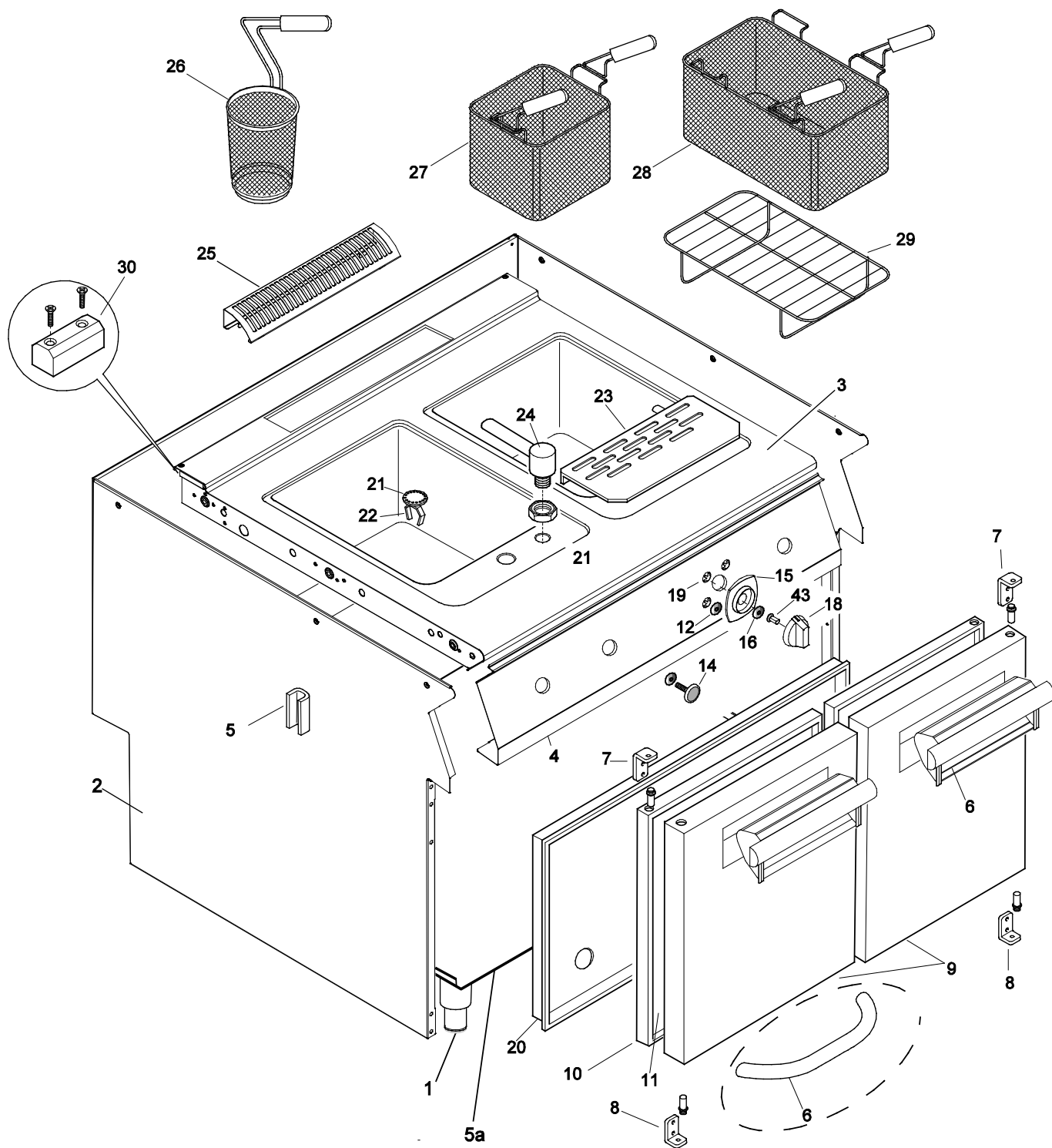


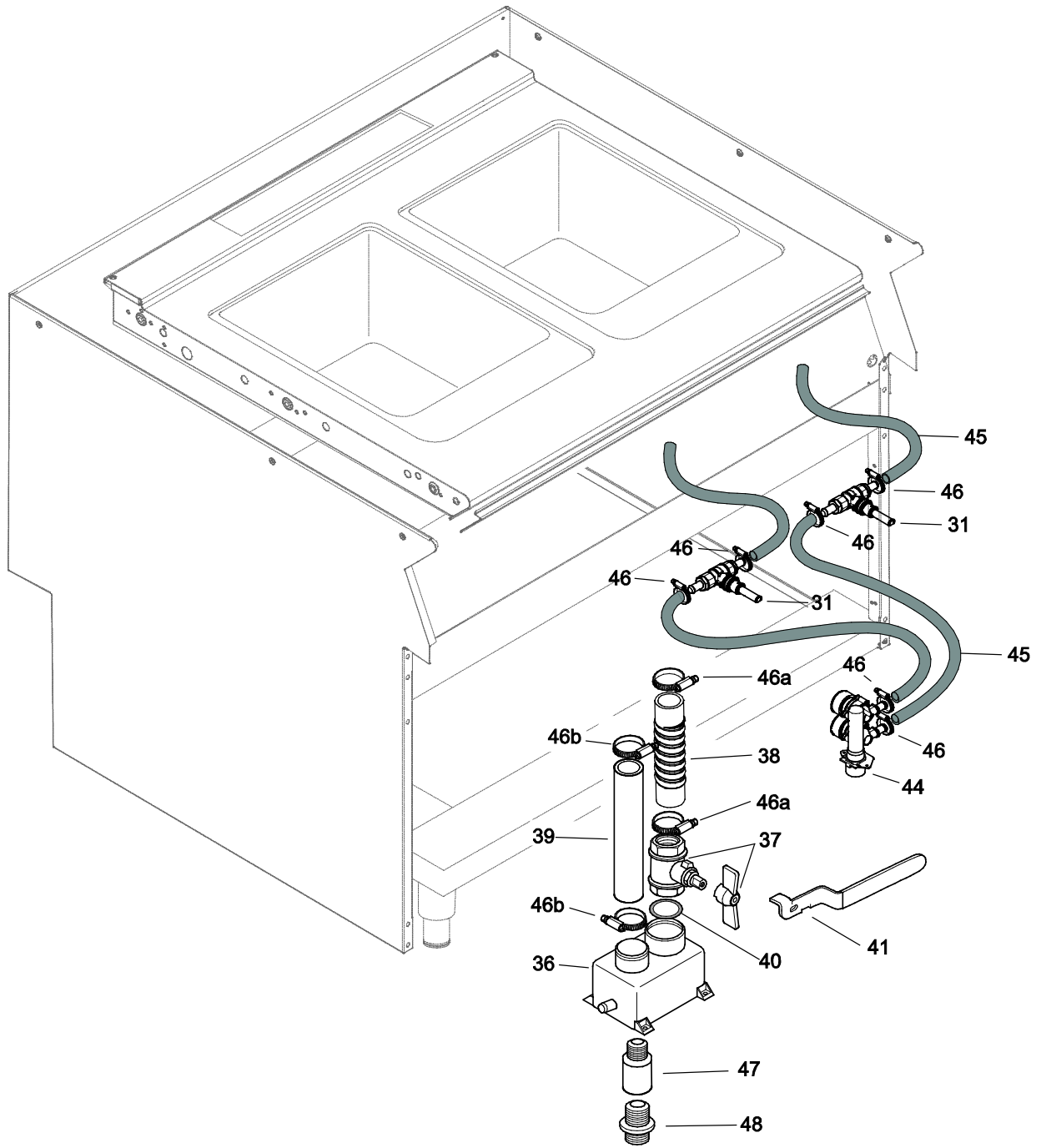
PNC	Model	Ref	Pag.	Brand	Version	Notes
391111	E9PCGD1MF0	a		ELX	GAS	1X40 LT WELL
391112	E9PCGH2MF0	b		ELX	GAS	2X40 LT WELLS
391126	E9PCED1MF0	c		ELX	EL	1X40 LT WELL
391127	E9PCEH2MF0	d		ELX	EL	2X40 LT WELLS
392111	Z9PCGD1MF0	m		ZAN	GAS	1X40 LT WELL
392112	Z9PCGH2MF0	n		ZAN	GAS	2X40 LT WELLS
392126	Z9PCED1MF0	i		ZAN	EL	1X40 LT WELL
392127	Z9PCEH2MF0	l		ZAN	EL	2X40 LT WELLS
393111	A9PCGD1MF0	q		OEM	GAS	1X40 LT WELL
393112	A9PCGH2MF0	r		OEM	GAS	2X40 LT WELLS
393126	A9PCED1MF0	o		OEM	EL	1X40 LT WELL
393127	A9PCEH2MF0	p		OEM	EL	2X40 LT WELLS

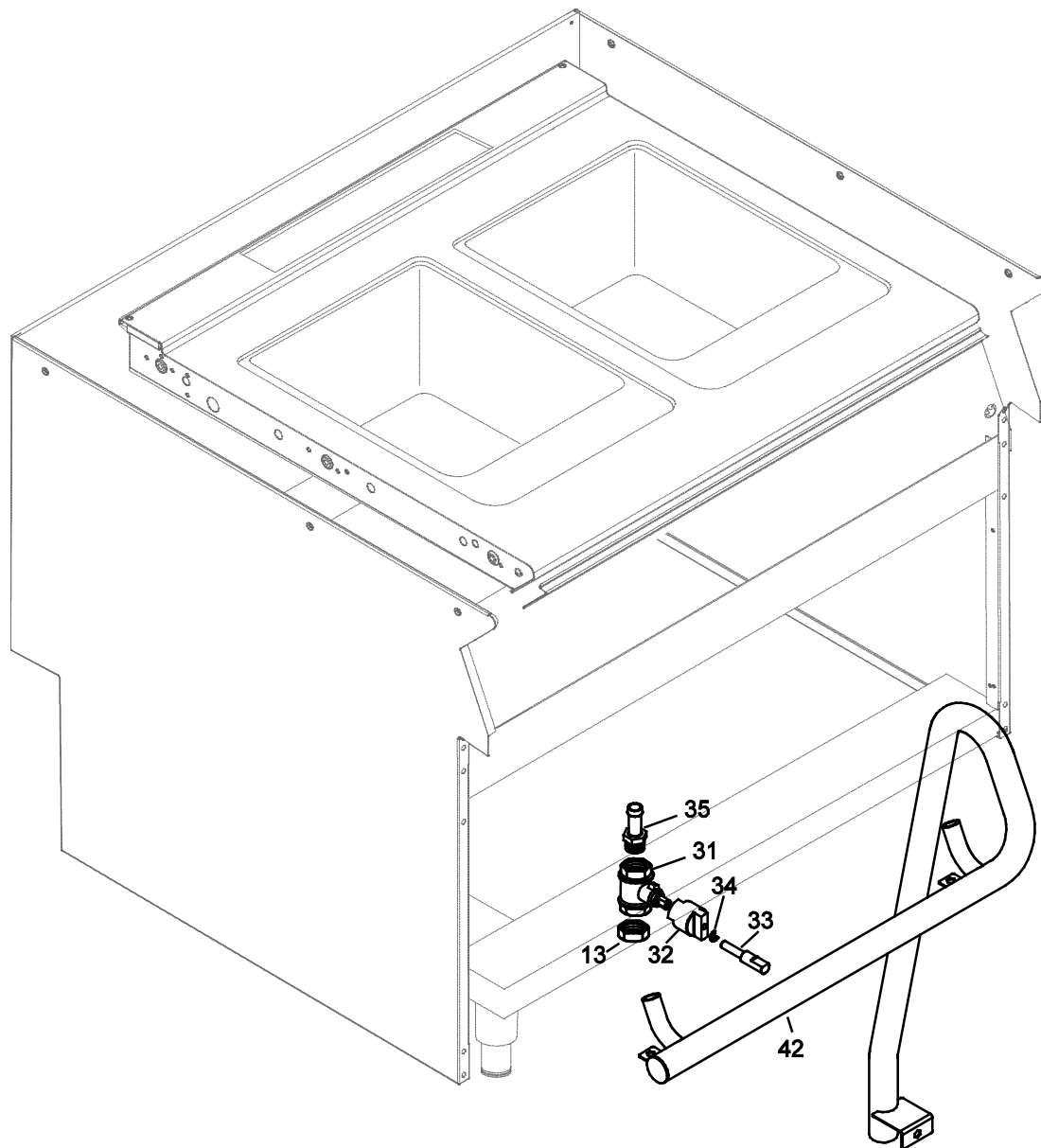
Pag	Index	Indice
2	General componets	Componenti struttura
3	Gas components	Componenti Gas
4	Electric Components	Componenti elettrici
5,6,7,8	Spare parts list	Lista ricambi

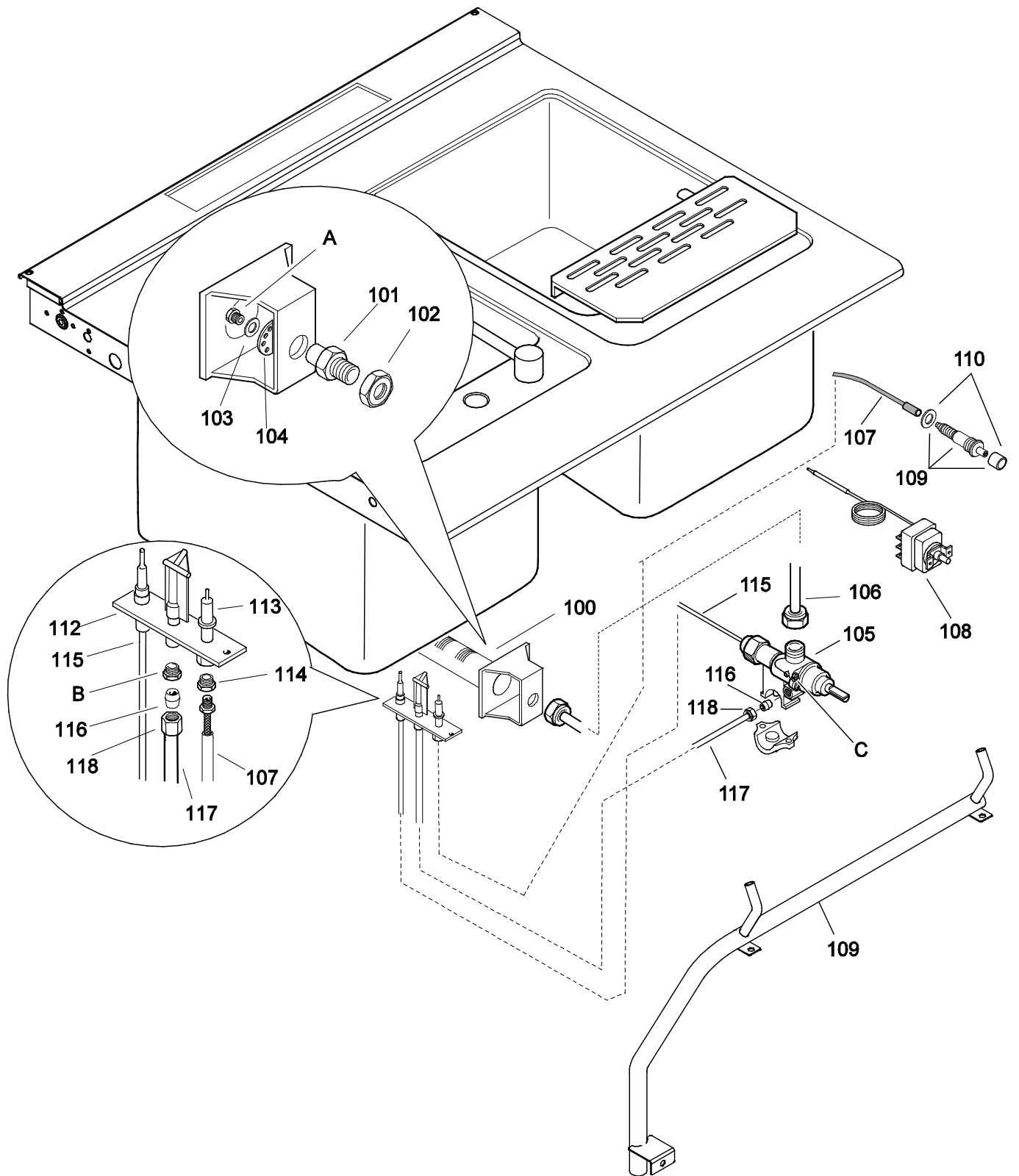
NEW:
OCA064
OCA085

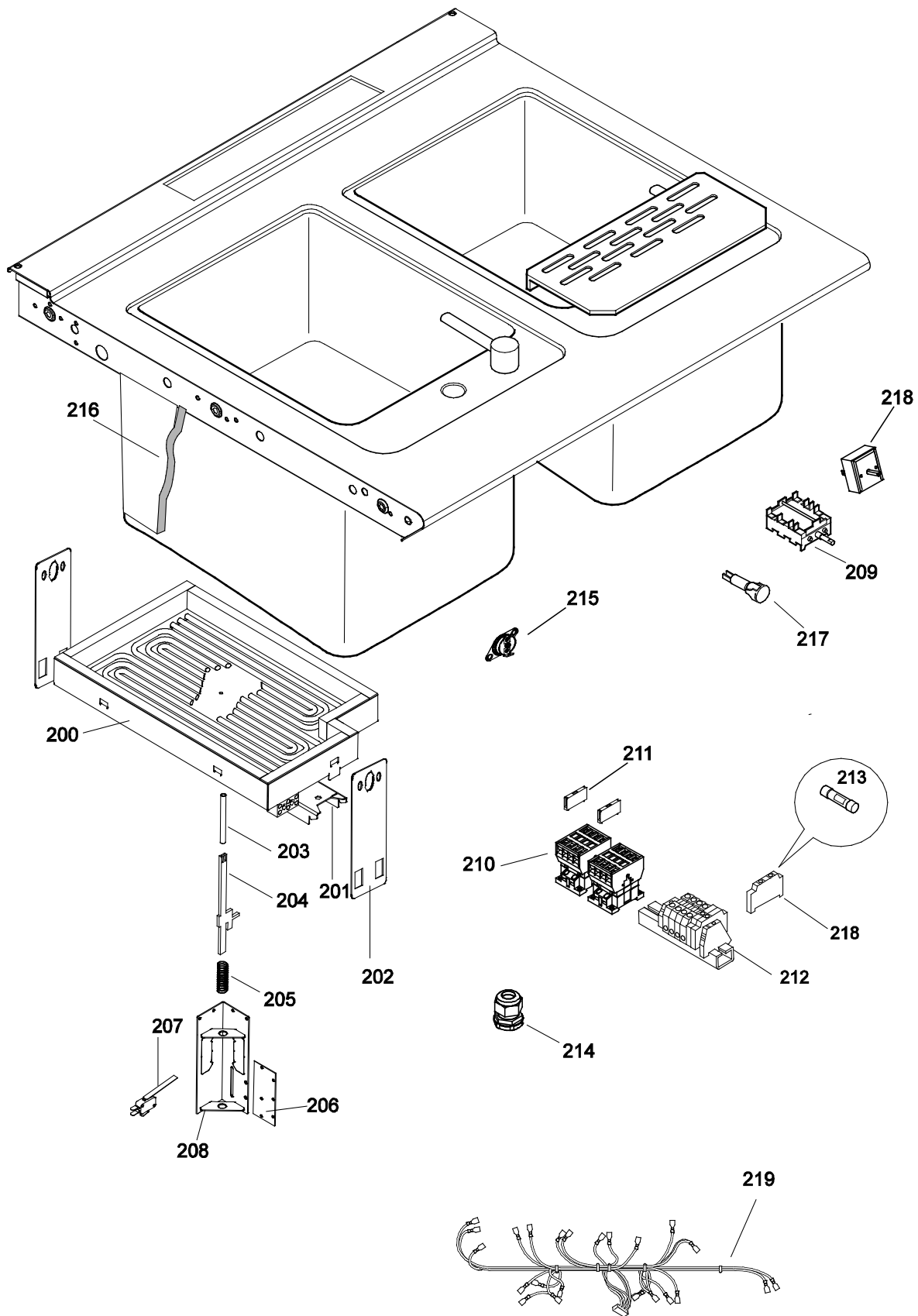
Brand/Marchio: All
 Factory code: 9PDX











Actual wire harness may be different from illustration.

A - Ugello bruciatore / Burner nozzle					
Code	Spare Code	Reference			Ref / PNC
514831200	005934	ø3.00	2H/2E+	G20 20mbar	
516844100	006419	ø2.90	2H	G20 25mbar	
516844400	-	ø3.45	2ELL	G25 20mbar	
514869900	058245	ø3.25	2L	G25 25mbar	
514899200	005934	ø2.05	3+3B/P	G30 30mbar	
516821700	003514	ø1.95	3B/P	G30 37mbar	
514833600	054631	ø1.80	3B/P	G30 50mbar	
514869900	058245	ø3.25	2S	G25.1 25mbar	
514848900	055018	Ø2.20		Propane	KOREA market
516844100	006419	Ø2.90		Methane	KOREA market

B - Ugello Pilota / Burner nozzle					
Code	Spare Code	Reference			Ref / PNC
514831500	054037	n° 25	2H/2E+	G20 20mbar	
514831500	054037	n° 25	2H	G20 25mbar	
514831500	054037	n° 25	2ELL	G25 20mbar	
514831500	054037	n° 25	2L	G25 25mbar	
514833900	054286	n° 24	3+3B/P	G30 30mbar	
514833900	054286	n° 24	3B/P	G30 37mbar	
514833900	054286	n° 24	3B/P	G30 50mbar	
514831500	054037	n° 25	2S	G25.1 25mbar	
514833900	054286			Propane	KOREA market
514831500	054037			Methane	KOREA market

C - Vite Minimo / Min Screw					
Code	Spare Code	Reference			Ref / PNC
0835837000	002993	ø1.80	2H/2E+	G20 20mbar	
0835837000	002993	ø1.80	2H	G20 25mbar	
0835837000	002993	ø1.80	2ELL	G25 20mbar	
0835837000	002993	ø1.80	2L	G25 25mbar	
0835820700	056742	ø1.10	3+3B/P	G30 30mbar	
0835802000	002392	ø0.95	3B/P	G30 37mbar	
0835802000	002392	ø0.95	3B/P	G30 50mbar	
0835837000	002993	ø1.80	2S	G25.1 25mbar	
0835820700	056742	ø1.10		Propane	KOREA market
0835837000	002993	ø1.80		Methane	KOREA market

**CUOCI PASTA E900 XP
PASTA COOKER E900 XP**

Pos	Factory Code	Spare Part Code	Descrizione	Description	Ref./Note
1	835856900	OC0204	PIEDE	FOOT	
2	85089DY01	*	ASSIEME FASCIA 400	SIDE PANEL 400	ELX
2	85089DZ01	*	ASSIEME FASCIA 800	SIDE PANEL 800	ELX
2	85089F301	*	ASSIEME FASCIA 400	SIDE PANEL 400	ZAN, OEM
2	85089F401	*	ASSIEME FASCIA 800	SIDE PANEL 800	ZAN, OEM
3	87089A501	*	RIPIANO / VASCA 400 MM	WORKTOP / TANK 400mm	ELX, EL Version
3	870899Q01	OC7151	RIPIANO / VASCA 800 MM	WORKTOP / TANK 800mm	ELX, EL Version
3	87089A600	OC7152	RIPIANO / VASCA 400 MM	WORKTOP / TANK 400mm	ELX, GAS Version
3	87089AW00	OC7153	RIPIANO / VASCA 800 MM	WORKTOP / TANK 800mm	ELX, GAS Version
3	87089AY01	*	RIPIANO / VASCA 400 MM	WORKTOP / TANK 400mm	ZAN, OEM, EL Version
3	87089AZ01	*	RIPIANO / VASCA 800 MM	WORKTOP / TANK 800mm	ZAN, OEM, EL Version
3	870899P00	OC7215	RIPIANO / VASCA 400 MM	WORKTOP / TANK 400mm	ZAN, OEM, GAS Version
3	87089AX00	*	RIPIANO / VASCA 800 MM	WORKTOP / TANK 800mm	ZAN, OEM, GAS Version
4	85089BF00	OC7620	CRUSCOTTO 400mm	CONTROL PANEL 400mm	ELX, EL Version
4	85089AF00	OC7136	CRUSCOTTO 800mm	CONTROL PANEL 800mm	ELX, EL Version
4	85089AB00	OC7135	CRUSCOTTO 400mm	CONTROL PANEL 400mm	ELX, GAS Version
4	85089BD00	OC7138	CRUSCOTTO 800mm	CONTROL PANEL 800mm	ELX, GAS Version
4	85089FN00	OC7389	CRUSCOTTO 400mm	CONTROL PANEL 400mm	ZAN, EL Version
4	85089FP00	OC7390	CRUSCOTTO 800mm	CONTROL PANEL 800mm	ZAN, EL Version
4	87089GY00	OC7222	CRUSCOTTO 400mm	CONTROL PANEL 400mm	ZAN, GAS Version
4	85089FM00	OC7388	CRUSCOTTO 800mm	CONTROL PANEL 800mm	ZAN, GAS Version
4	502899K00	*	CRUSCOTTO 400mm	CONTROL PANEL 400mm	OEM, EL Version
4	502899Y00	*	CRUSCOTTO 800mm	CONTROL PANEL 800mm	OEM, EL Version
4	502899Z00	*	CRUSCOTTO 400mm	CONTROL PANEL 400mm	OEM, GAS Version
4	502899N00	*	CRUSCOTTO 800mm	CONTROL PANEL 800mm	OEM, GAS Version
5	527850500	OC0156	PIASTRA FISSAGGIO FIANCHI	SIDE PANEL JOINTING PLATE	
5a	50389GX03	OCA064	FONDO CP EL. 1/2M EVOLUTION	1/2M EL. PASTA COOKER BOTTOM	ELX,ZAN,OEM
5a	50389GY03	OCA085	FONDO CP EL. 1M EVOLUTION	1M EL. PASTA COOKER BOTTOM	ELX,ZAN,OEM
6	51589A700	OC7164	MANIGLIA	HANDLE	ELX
6	54887A800	OC8190	MANIGLIA	HANDLE	ZAN
6	854864203	0A5021	MANIGLIA	HANDLE	OEM
7	516860901	OC0139	CERNIERA SUP.	UPPER. HINGE, DOOR	
8	516860801	OC0138	CERNIERA INF.	BOTTOM HINGE, DOOR	
9	50389G300	OC7157	PORTA	DOOR	ELX, ZAN
9	50389G300	OC7157	PORTA	DOOR	OEM
10	50489CQ00	OC7158	CONTROPORTA	INNER DOOR OVEN	
11	565819900	OC4433	DISTANZIALE PORTA	DOOR SPACER	
*	85089AA02	OC7156	ASSIEME PORTA NO MANIGLIA	COMPLETE DOOR NOT HANLE	ELX, ZAN
*	85089JX00		ASSIEME PORTA NO MANIGLIA	COMPLETE DOOR NOT HANLE	OEM
12	541813800	OC6171	RONDELLA IN SILICONE	SILICONE WASHER	
13	516875100	*	CONTRODADO	NUT	
14	830898200	OC0201	MAGNETE	MAGNET, DOOR	
15	548877Y00	OC7134	GHIERA COMMUTATORE	RING, KNOB SWITCH	ELX
15	548876G01	OC6802	GHIERA RUBINETTO ACQUA	RING, KNOB WATER REGULATION	ELX
15	548877X00	OC7178	GHIERA RUBINETTO GAS	RING, KNOB GAS REGULATION	ELX
15	54887A400	OC7386	GHIERA COMMUTATORE	RING, KNOB SWITCH	ZAN
15	548876G01	OC6802	GHIERA RUBINETTO ACQUA	RING, KNOB WATER REGULATION	ZAN
15	54887A300	OC7938	GHIERA RUBINETTO GAS	RING, KNOB GAS REGULATION	ZAN
15	54887A400	OC7386	GHIERA COMMUTATORE	RING, KNOB SWITCH	OEM
15	548879H00	OC7385	GHIERA RUBINETTO ACQUA	RING, KNOB WATER REGULATION	OEM
15	54887A300	OC7938	GHIERA RUBINETTO GAS	RING, KNOB GAS REGULATION	OEM
16	543821000	053816	GUARNIZIONE X MANOPOLA	GASKET, KNOB	
17	505899T01	OTTA07	PIASTRINA SCARICO	DRAIN PLATELET INDICATOR	GAS

**CUOCI PASTA E900 XP
PASTA COOKER E900 XP**

Pos	Factory Code	Spare Part Code	Descrizione	Description	Ref./Note
18	511850G01	0C6670	MANOPOLA	KNOB	Until s/n 220 PDX2012-05
18	54887AW00	0C8646	MANOPOLA	KNOB	after s/n 221 PDX2012-05
18	548878201	0C7232	MANOPOLA RUBINETTO ACQUA	KNOB WATER REGULATOR	ZAN
18	548878201	0C7232	MANOPOLA GAS E COMMUTATORE	KNOB, GAS AND SWITH	ZAN
18	548865700	0C1380	MANOPOLA RUBINETTO ACQUA	KNOB WATER REGULATOR	OEM
18	548865500	0A5621	MANOPOLA GAS E COMMUTATORE	KNOB, GAS AND SWITH	OEM
19	218912211	069567	MOLLETTA PER GHIERA	RING, RING KNOB	
20	50489CR02	*	PANNELLO FRONTALE 400mm	FRONTAL PANEL 400mm	EL
20	50489D402	*	PANNELLO FRONTALE 800mm	FRONTAL PANEL 800mm	EL
21	506864501	004836	FILTRO FONDO	BOTTOM FILTER	
22	514848300	054905	MOLLA PER FILTRO FONDO	SPRING, FILTER	
23	528822601	0C0559	SGOCCIOLATOIO	DRAINING BOARD	
24	511832302	0C5567	GETTO ACQUA	WATER TAP	
25	50389LP00	0C7333	GRIGLIA CAMINO	CHIMNEY GRID	
26	F927213	056918	CESTO CUOCIPASTA TONDO 1/6	ROUND BASKET 1/6; PASTA COOKER	
26	F927212	056917	CESTO CUOCIPASTA TONDO 1/3	ROUND BASKET 1/3; PASTA COOKER	
27	F926210	056915	CESTO CUOCIPASTA GN1/3	BASKET GN1/3; PASTA COOKER	
27	F927211	056916	CESTO CUOCIPASTA GN1/2	BASKET GN1/2; PASTA COOKER	
28	F927216	056920	CESTO CUOCIPASTA GN1/1	BASKET GN1/1; PASTA COOKER	
29	F927219	056922	GRIGLIA DI FONDO	FALSE BOTTOM, PASTA COOKER	
30	516860702	0C0137	PIASTRA GIUNZIONE APPARECC.	JOINTING REAR PLATE	
31	A05001400	056843	VALVOLA CARICO ACQUA	INLET VALVE	
32	A05537100	0A2563	ADATTATORE VALVOLA	VALVE ADAPTER	
33	51489AX00	0C7229	PERNO MANOPOLA	HINGE KNOB	
34	219034011	*	SEGER	SEGER	
*	80589AP01	0C7193	ASSIEME RUBINETTO	COMPLETE INLET VALVE	
35	514839100	0C5056	PORTAGOMMA	PIPE CONNECTION	
36	544825900	0C6907	RACCORDO DI SCARICO	DRAIN JUNCTION	
37	80589A301	0C6799	VALVOLA SCARICO	DRAIN VALVE	
*	855899X00	0C6953	ASSIEME RACCORDO DI SCARICO	COMPLETE DRAIN JUNCTION	
38	544825D00	0C7132	TUBO SCARICO	DRAIN PIPE	
39	544825F00	0C7133	TUBO TROPPO PIENO	TOO FULL PIPE	
41	543827500	0C6800	OR	OR	
*	516899A01	*	ANELLO ELASTICO		
42	83089DB01	0C7194	RIBALTA ACQUA	WATER PIPING	1x40 WELL
42	83089DC01	0C7623	RIBALTA ACQUA	WATER PIPING	2x40 WELL
43	548877V00	0C7345	ADATTATORE MANOPOLA	KNOB ADAPTER	ELX
100	83089DV01	*	BRUCIATORE	BURNER	
101	514829700	054118	PORTAUGELLO	INJECTOR HOLDER	
102	214105101	020997	CONTRODADO	LOCK NUT	
103	506833401	054029	GUARNIZIONE	GASKET	
104	830828001	054039	AERATORE	AERATOR	
105	835875R00	0C7371	RUBINETTO GAS	GAS TAP	Until s/n 220 PDX2012-05
105	835875R01	0C8647	RUBINETTO GAS	GAS TAP	Afterl s/n 221 PDX2012-05
106	80589AN00	*	CONDOTTA GAS	GAS PIPE	
107	638883500	006514	CAVO ELETTRODO	SPARK PLUG CABLE	
108	646809901	005295	LIMITATORE	LIMITER	
109	835829600	059251	ACCENDITORE	IGNITER	
109	83089DD00	*	RIBALTA GAS	INLET GAS PIPING	1x40 WELL
110	83089DA00	*	RIBALTA GAS	INLET GAS PIPING	2x40 WELL
111					
112	830828100	054032	BRUCIATORE PILOTA	PILOT BURNER	

**CUOCI PASTA E900 XP
PASTA COOKER E900 XP**

<i>Pos</i>	<i>Factory Code</i>	<i>Spare Part Code</i>	<i>Descrizione</i>	<i>Description</i>	<i>Ref./Note</i>
113	330272401	052610	ELETTRODO; ACCENSIONE	ELECTRODE	
114	214164400	052125	RACCORDO	PIPE FITTING	
115	831818901	0C3162	TERMOCOPPIA INTERROTTA	THERMOCOUPLE	
116	515827401	053665	BICONO	DOUBLE CONE	
117	51589A901	*	CONDUTTURA PILOTA	PIPE, PILOT	
118	214164400	052125	RACCORDO	PIPE FITTING	
200	617839301	0C7621	RESISTENZA	HEATING ELEMENT	
201	538831803	*	SUPPORTO RESISTENZA	H.E. SUPPORT	
202	50589AH00	*	SUPPORTO RESISTENZA	H.E. SUPPORT	
203	569807501	0C8182	BACCHETTA IN STEATITE	ROD	
204	511833002	0C5964	ASTA AZIONAMENTO MICRO	SLIDE BAR	
205	514828600	053819	MOLLA	SPRING	
206	246214023	045404	PIASTRINA ISOLANTE MICRO	MICRO INSULATION	
207	640800800	053671	MICRO-INTERRUTTORE	MICROSWITCH	
208	538831902	*	SICUREZZA MECCANICA	SECURITY SUPPORT	
209	641805101	0C7353	COMMUTATORE	SWITCH	
210	648807900	*	CONTATTORE	CONTACTOR	
211	H58194500	*	CONTATTO AUSILIARIO	AUXILIARY CONTACT	
212	639806600	006854	MOSETTIERA	TERMINAL BOARD	
213	652806400	*	FUSIBILE	FUSE	Electric version
214	544802300	0C0068	PASSACAVO	TOGHTENER CORD	
215	653800000	0C6155	PROTEZIONE TERMICA	THERMIC SECURITY	
216	560873901	*	ISOLAMENTO	INSULATION	
217	876800002	005010	LAMPADA VERDE	GREEN LAMP	
218	652603200	*	PORTAFUSIBILE	FUSEHOLDER	Electric version