

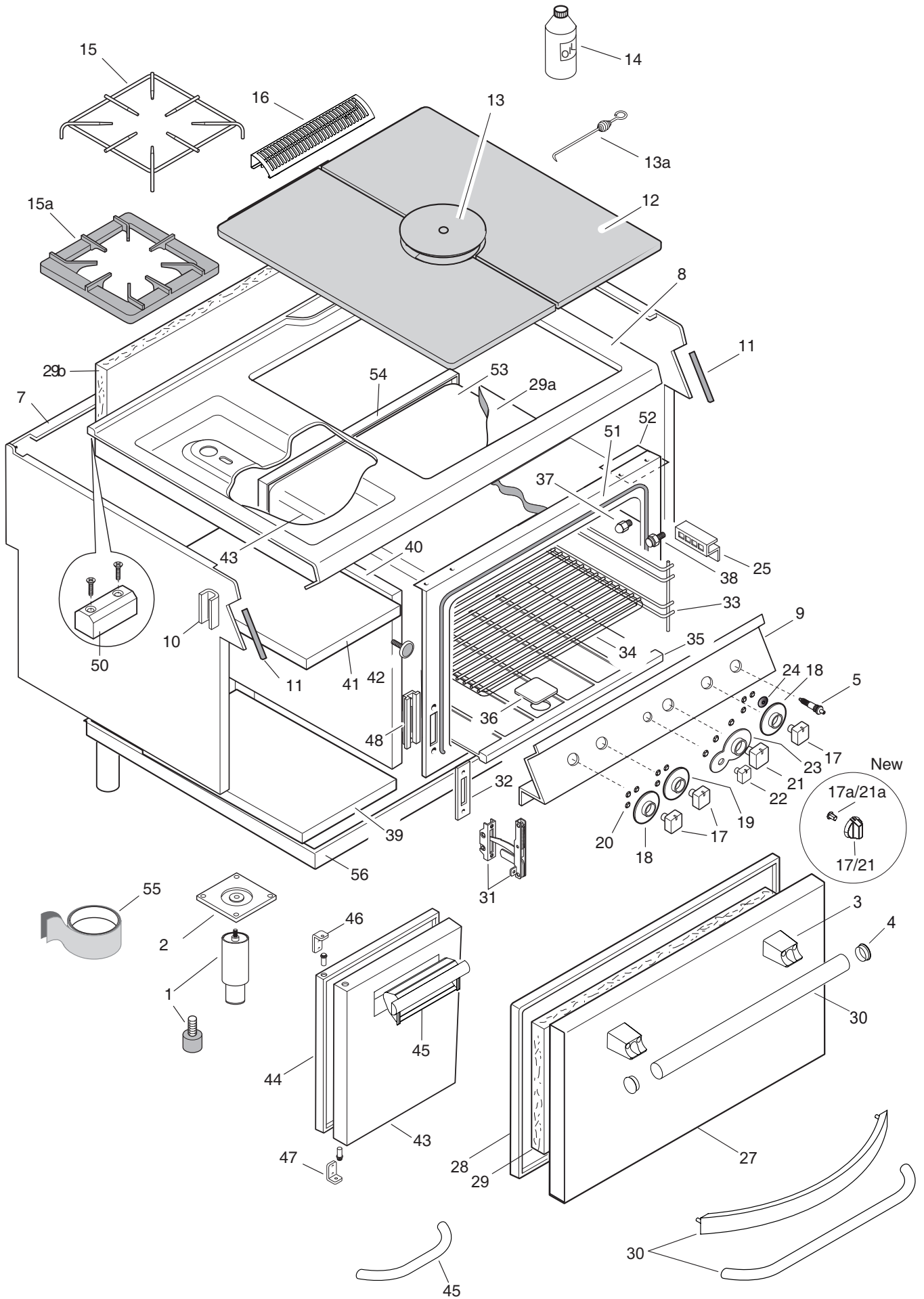
**TUTTAPIASTRA GAS E900XP
GAS SOLID TOP E900XP**

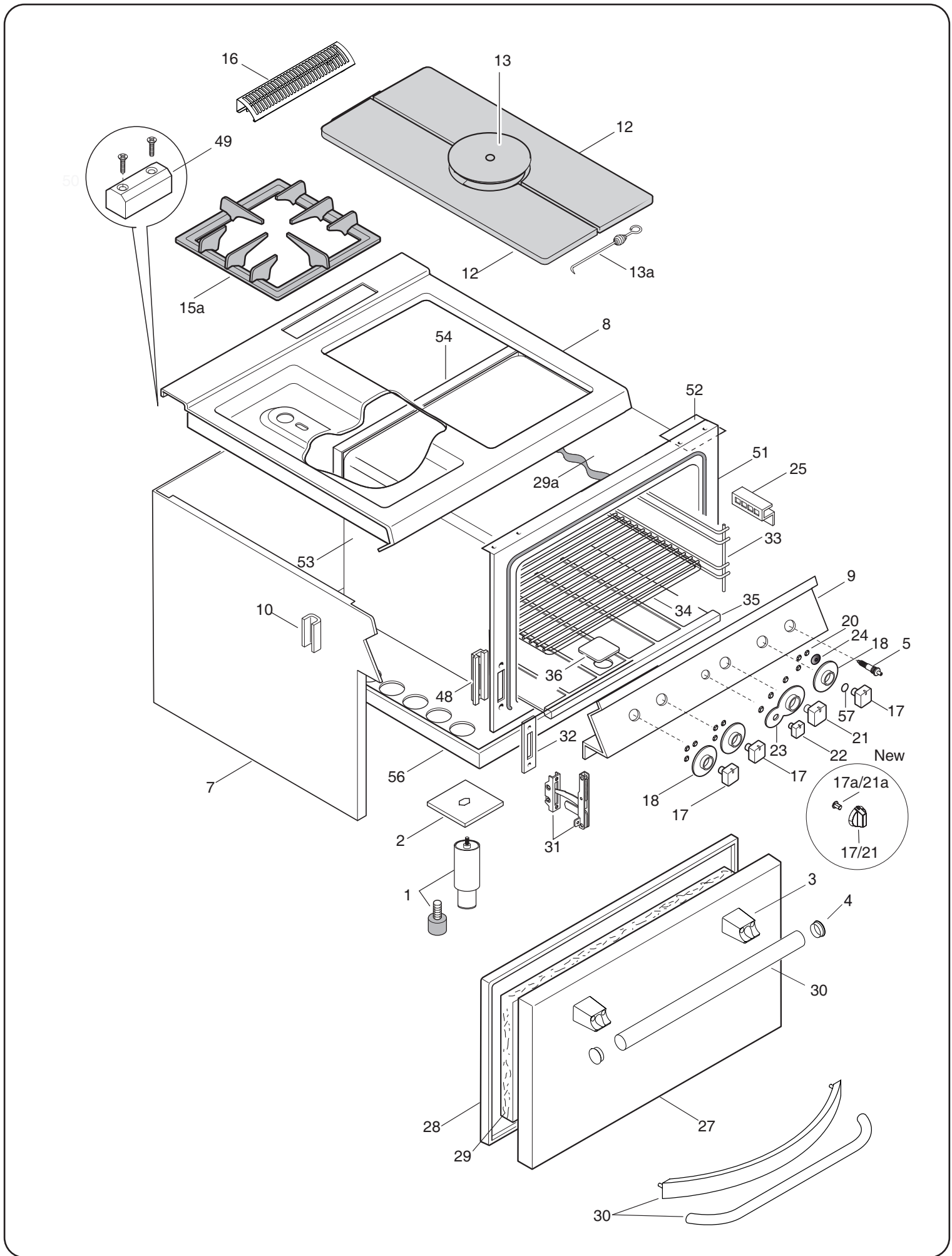
PNC	Model	Ref	Brand	Version	Notes
391018	E9STGH1000	a	ELX	GAS	800 MM
391019	E9STGH10G0	b	ELX	GAS	OVEN 800 MM
391020	E9STGH30G0	c	ELX	GAS	2 BURNERS+GAS OVEN 800MM
391021	E9STGL3010	d	ELX	GAS	WITH 2 BURNERS+OVEN +CUPB.1200
391264	E9STGH10GA	q	ELX	GAS	GAS SOLID TOP + GAS OVEN 800MM AUSTRALIA
391265	E9STGLT01A	o	ELX	GAS	WITH 2 BURNERS+OVEN +CUPB.1200 AUSTRALIA
391606	E9DDATBBMEI	b	ELX	GAS	OVEN 800 MM
391635	E9DDATAOMEI	a	ELX	GAS	800 MM
392018	Z9STGH1000	e	ZAN	GAS	800 MM
392019	Z9STGH10G0	f	ZAN	GAS	OVEN 800 MM
392020	Z9STGH30G0	g	ZAN	GAS	2 BURNERS+GAS OVEN 800MM
392021	Z9STGL3010	h	ZAN	GAS	WITH 2 BURNERS+OVEN +CUPB.1200
392264	Z9STGH10GA	r	ZAN	GAS	GAS SOLID TOP + GAS OVEN 800MM AUSTRALIA
392265	Z9STGLT01A	p	ZAN	GAS	WITH 2 BURNERS+OVEN +CUPB.1200 AUSTRALIA
392612	Z9DDATAOMEI	e	ZAN	GAS	800 MM
392613	Z9DDATBBMEI	f	ZAN	GAS	OVEN 800 MM
393018	A9STGH1000	i	OEM	GAS	800 MM
393019	A9STGH10G0	l	OEM	GAS	OVEN 800 MM
393021	A9STGL3010	n	OEM	GAS	2 BURNERS+OVEN +CUPB.1200
393264	A9STGH10GA	s	OEM	GAS	GAS SOLID TOP + GAS OVEN 800MM AUSTRALIA
393265	A9STGLT01A	t	OEM	GAS	GAS SOLID TOP+2 BURN+OVEN+CUPB.1200(AUS)

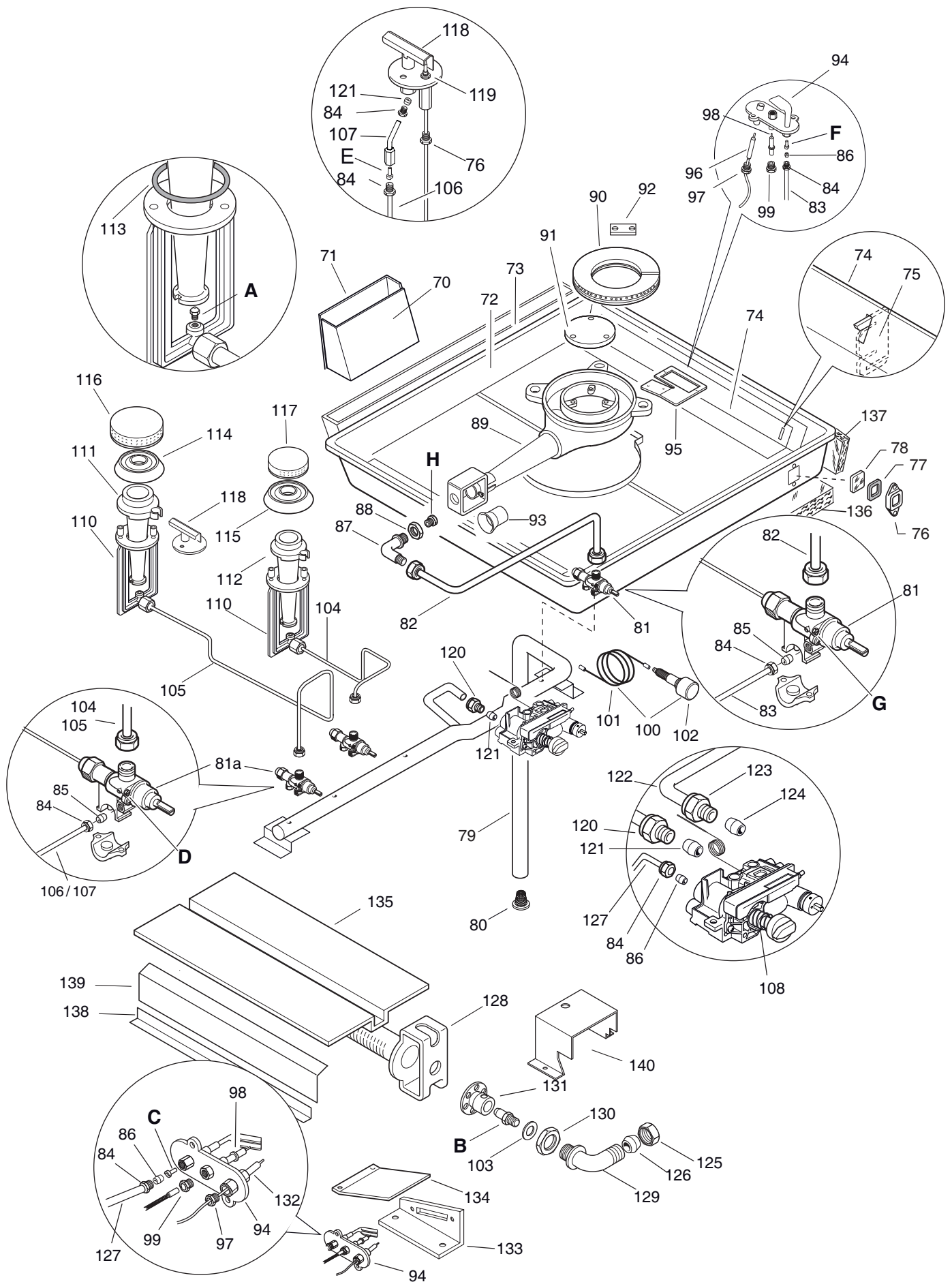
Page	Index	Indice	Note
2,3	General components	Componenti struttura	
4	Gas components	Componenti Gas	
5,6	Pilot/Burner Nozzles	Tabelle Ugelli	
7-13	Spare parts list	Lista ricambi	

Bold=last change / Grassetto =ultima modifica

Rev. 7
Brand/Marchio: All
Factory Code: 9PDX







A - Ugello bruciatore / Burner nozzle ø60				A - Ugello bruciatore / Burner nozzle ø100			
Spare Code	Ref. / Notes			Spare Code	Ref./ Notes		
0CBAUF	ø1.20	3+3B/P	G30 30mbar	0CBB98 up to 2025/47	ø1.55	3+3B/P	G30 30mbar
0CBAUG	ø1.15	3B/P	G30 37mbar		0CBAUE from 2025/48	ø1.55	3+3B/P
0CBB39	ø1.10	3B/P	G30 50mbar	511852200		ø1.50	3B/P
0CBAUL	ø1.90	2H/2E+	G20 20mbar	511852F00	ø1.35	3B/P	G30 50mbar
0CBAUK	Ø1.80	2H	G20 25mbar	0C0144	ø2.60	2H/2E+	G20 20mbar
0C0141	ø1.95	2L	G25 25mbar	0CBB38	Ø2.10/2.50	2H	G20 25mbar
0CBAUL	ø1.90	2K	G25.3 25mbar	0C0145	ø2.65	2L	G25 25mbar
051689AZ00	ø2.15	2ELL	G25 20mbar	0C0144	ø2.60	2K	G25.3 25mbar
0C2806	Ø1.85/2.10	2S	G25.1 25mbar	0C0145	ø2.65	2ELL	G25 20mbar
0C3657	ø3.60	1a	G110 8mbar	51689AX00	Ø2.35/3.30	2S	G25.1 25mbar
0C3657	ø3.60	1b	G150.1 8mbar	0CBB36	ø4.50	1a	G110 8mbar
				0CBB36	Ø4.50	1b	G150.1 8mbar

E - Ugello pilota / Pilot nozzle			
Spare Code	Ref./ Notes		
054593	n°25	3+3B/P	G30 30mbar
054593	n°25	3B/P	G30 37mbar
054593	n°25	3B/P	G30 50mbar
053670	n°41	2H/2E+	G20 20mbar
053670	n°41	2H	G20 25mbar
053670	n°41	2L	G25 25mbar
053670	n°41	2K	G25.3 25mbar
053670	n°41	2ELL	G25 20mbar
053670	n°41	2S	G25.1 25mbar
053669	n°75	1a	G110 8mbar
053669	n°75	1b	G120 8mbar

D - Vite di minimo / Min screw ø60			
Spare Code	Ref. / Notes		
002911	Ø0.55	3+3B/P	G30 30mbar
002911	Ø0.55	3B/P	G30 37mbar
002911	Ø0.55	3B/P	G30 50mbar
002899	Ø0.80	2H/2E+	G20 20mbar
002899	Ø0.80	2H	G20 25mbar
002899	Ø0.80	2L	G25 25mbar
002899	Ø0.80	2K	G25.3 25mbar
002899	Ø0.80	2ELL	G25 20mbar
002899	Ø0.80	2S	G25.1 25mbar
-	adjust	1a	G110 8mbar
-	adjust	1b	G150.1 8mbar

D - Vite di minimo / Min screw ø100			
Spare Code	Ref./ Notes		
002908 up to 2025/47	Ø0.70	3+3B/P	G30 30mbar
002769 from 2025/48	Ø0.75	3+3B/P	G30 30mbar
002908 up to 2025/47	Ø0.70	3B/P	G30 37mbar
002769 from 2025/48	Ø0.75	3B/P	G30 37mbar
002908 up to 2025/47	Ø0.70	3B/P	G30 50mbar
002769 from 2025/48	Ø0.75	3B/P	G30 50mbar
002902	Ø1.05	2H/2E+	G20 20mbar
002902	Ø1.05	2H	G20 25mbar
002902	Ø1.05	2L	G25 25mbar
002902	Ø1.05	2K	G25.3 25mbar
002902	Ø1.05	2ELL	G25 20mbar
002902	Ø1.05	2S	G25.1 25mbar
-	adjust	1a	G110 8mbar
-	adjust	1b	G150.1 8mbar

C - Ugello pilota FORNO / Pilot nozzle OVEN

Spare Code	Ref.	Notes	Reference appliances
059216	n°14	3+3B/P G30 30mbar	
059216	n°14	3B/P G30 37mbar	
059216	n°14	3B/P G30 50mbar	
059215	n°27	2H/2E+ G20 20mbar	
059215	n°27	2H/2E+ G20 25mbar	
059215	n°27	2L G25 25mbar	
059215	n°27	2K G25.3 25mbar	
059215	n°27	2ELL G25 20mbar	
059215	n°27	2S G25.1 25mbar	
059356	n°50	1a G110 8mbar	
059356	n°50	1b G120 8mbar	

B - Ugello bruciatore FORNO / Burner nozzle OVEN

Spare Code	Ref.	Notes	Reference appliance
002862	ø1.50	3+3B/P G30 30mbar	
004488	ø1.40	3B/P G30 37mbar	
059364	ø1.30	3B/P G30 50mbar	
056471	ø2.25	2H/2E+ G20 20mbar	
056147	ø2.10	2H/2E+ G20 25mbar	
004727	ø2.35	2L G25 25mbar	
056471	ø2.25	2K G25.3 25mbar	
002267	ø2.45	2ELL G25 20mbar	
004727	ø2.35	2S G25.1 25mbar	
059365	ø5.50	1a G110 8mbar	
0C0136	ø4.90	1b G120 8mbar	

H - Ugello TuttaPiastra / Burner nozzle SolidTop 400 mm				H - Ugello TuttaPiastra / Burner nozzle SolidTop 800 mm			
6DGT Code	Ref. / Notes			6DGT Code	Ref. / Notes		
0A2650	Ø1.20	3+3B/P	G30 30mbar	0A2089	Ø1.60	3+3B/P	G30 30mbar
059314	Ø1.15	3B/P	G30 37mbar	0A2103	Ø1.55	3B/P	G30 37mbar
059328	Ø1.05	3B/P	G30 50mbar	0A2082	Ø1.40	3B/P	G30 50mbar
059315	Ø1.75	2H/2E+	G20 20mbar	058980	Ø2.45	2H/2E+	G20 20mbar
0A2141	Ø1.65	2H	G20 25mbar	0A2081	Ø2.30	2H	G20 25mbar
056793	Ø1.80	2L	G25 25mbar	059529	Ø2.55	2L	G25 25mbar
059315	Ø1.75	2K	G25.3 25mbar	058980	Ø2.45	2K	G25.3 25mbar
058375	Ø1.90	2ELL	G25 20mbar	056795	Ø2.70	2ELL	G25 20mbar
*	Ø1.85	2S	G25.1 25mbar	0A2174	Ø2.65	2S	G25.1 25mbar
-	-	no CE	G110 8mbar	058628	Ø5.50	no CE	G110 8mbar
F - Pilota TuttaPiastra / Pilot nozzle SolidTop 400 mm				F - Pilota TuttaPiastra / Pilot nozzle SolidTop 800 mm			
6DGT Code	Ref./ Notes			6DGT Code	Ref./ Notes		
059216	n°14	3+3B/P	G30 30mbar	059216	n°14	3+3B/P	G30 30mbar
059216	n°14	3B/P	G30 37mbar	059216	n°14	3B/P	G30 37mbar
059216	n°14	3B/P	G30 50mbar	059216	n°14	3B/P	G30 50mbar
059215	n°27	2H/2E+	G20 20mbar	059215	n°27	2H/2E+	G20 20mbar
059215	n°27	2H	G20 25mbar	059215	n°27	2H	G20 25mbar
059215	n°27	2L	G25 25mbar	059215	n°27	2L	G25 25mbar
059215	n°27	2K	G25.3 25mbar	059215	n°27	2K	G25.3 25mbar
059215	n°27	2ELL	G25 20mbar	059215	n°27	2ELL	G25 20mbar
059215	n°27	2S	G25.1 25mbar	059215	n°27	2S	G25.1 25mbar
059381	n°75	No CE	G110 8mbar	059381	n°75	No CE	G110 8mbar
G - Vite di minimo T.P. / Min screw SolidTop 400 mm				G - Vite di minimo T.P. / Min screw SolidTop 800 mm			
6DGT Code	Ref./ Notes			6DGT Code	Ref./ Notes		
002770	Ø0.85	3+3B/P	G30 30mbar	0C0800	Ø1.10	3+3B/P	G30 30mbar
002899	Ø0.80	3B/P	G30 37mbar	004595	Ø1.00	3B/P	G30 37mbar
002908	Ø0.70	3B/P	G30 50mbar	002926	Ø0.90	3B/P	G30 50mbar
002928	Ø1.30	2H/2E+	G20 20mbar	006193	Ø1.60	2H/2E+	G20 20mbar
0C1326	Ø1.20	2H	G20 25mbar	0C4152	Ø1.50	2H	G20 25mbar
002928	Ø1.30	2L	G25 25mbar	006193	Ø1.60	2L	G25 25mbar
002928	Ø1.30	2K	G25.3 25mbar	006193	Ø1.60	2K	G25.3 25mbar
002928	Ø1.30	2ELL	G25 20mbar	006193	Ø1.60	2ELL	G25 20mbar
0C1326	Ø1.20	2S	G25.1 25mbar	006193	Ø1.60	2S	G25.1 25mbar
-	adjust	No CE	G110 8mbar	-	adjust	no CE	G110 8mbar

**TUTTAPIASTRA GAS E900XP
GAS SOLID TOP E900XP**

Pos	Factory Code	Spare part code	Descrizione	Description	Ref./Notes
1	315252601	026806	PIEDINO CON VITE	SCREW FOOT FOR TOP	TOP
1	835856900	0C0204	PIEDE	FOOT	
2	50589CD00	*	PIASTRA DI RINFORZO PER PIEDE	PLATE FOR FOOT	
3	530R01701	0C6891	BLOCCETTO MANIGLIA	HANDLE SUPPORT	ELX
4	530R01802	0C6823	TAPPO CHIUSURA MANIGLIA	STOPPER FOR HANDLE	ELX
5	835829600	059251	ACCENDITORE	IGNITER	
6	147018072	0C1289	ADESIVO STRUTTURALE	STRUCTURAL ADHESIVE TAPE	
7	85089DS01	*	FASCIA TOP 800	PANEL TOP 800	ELX
7	85089DZ02	*	FASCIA MONOBLOCCO 800	PANEL FREESTANDING 800	ELX
7	85089F001	0CB411	FASCIA MONOBLOCCO 1200	PANEL FREESTANDING 1200	ELX
7	85089DV01	*	FASCIA TOP 800	PANEL TOP 800	ZAN, OEM
7	85089F402	0C8984	FASCIA MONOBLOCCO 800	PANEL FREESTANDING 800	ZAN, OEM
7	85089F501	*	FASCIA MONOBLOCCO 1200	PANEL FREESTANDING 1200	ZAN, OEM
8	87089BT00	0C7279	RIPIANO TUTTAPIASTRA 800	WORKTOP SOLIDTOP 800	ELX up to 2023/26
8	87089NN03	0C8293	RIPIANO TUTTAPIASTRA 800	WORKTOP SOLIDTOP 800	ELX from 2023/27
8	87089M300	0C7288	RIPIANO TUTTAPIASTRA 800	WORKTOP SOLIDTOP 800	ZAN, OEM up to 2023/26
8	87089NP01	0C8294	RIPIANO TUTTAPIASTRA 800	WORKTOP SOLIDTOP 800	ZAN, OEM from 2023/27
8	87089BU01	0C7280	RIPIANO SIMPLE SERVICE 800	WORKTOP SIMPLE SERVICE 800	ELX
8	87089M401	0C7289	RIPIANO SIMPLE SERVICE 800	WORKTOP SIMPLE SERVICE 800	ZAN, OEM
8	87089BV02	0C7281	RIPIANO SIMPLE SERVICE 1200	WORKTOP SIMPLE SERVICE 1200	ELX
8	87089M502	0C7290	RIPIANO SIMPLE SERVICE 1200	WORKTOP SIMPLE SERVICE 1200	ZAN, OEM
9	85089C903	0C7301	CRUSCOTTO TUTTAPIASTRA TOP	CONTROL PANEL SOLID TOP	ELX
9	85089CA02	0C7259	CRUSCOTTO TUTTAP. su FORNO	CONT. PANEL SOLID TOP on OVEN	ELX
9	85089CB02	0C7260	CRUSCOTTO 2 BRUC + FORNO800	CRUSCOTTO 2 BRUC + FORNO800	ELX
9	85089CC02	0C7261	CRUSCOTTO 2 BRUC + FORNO1200	CONTR. PANEL 2 BUR + OVEN 1200	ELX
9	85089H902	0C7304	CRUSCOTTO TUTTAPIASTRA TOP	CONTROL PANEL SOLID TOP	ZAN
9	85089HA01	0C7265	CRUSCOTTO TUTTAP. su FORNO	CONT. PANEL SOLID TOP on OVEN	ZAN
9	85089HB01	0C7266	CRUSCOTTO 2 BRUC + FORNO800	CONTR. PANEL 2 BUR + OVEN 800	ZAN
9	85089HC01	0C7267	CRUSCOTTO 2 BRUC + FORNO1200	CONTR. PANEL 2 BUR + OVEN 1200	ZAN
9	800839100	*	CRUSCOTTO TUTTAPIASTRA TOP	CONTROL PANEL SOLID TOP	OEM
9	800839200	*	CRUSCOTTO TUTTAP. su FORNO	CONT. PANEL SOLID TOP on OVEN	OEM
9	800839300	*	CRUSCOTTO 2 BRUC + FORNO1200	CONTR. PANEL 2 BUR + OVEN 1200	OEM
10	527850500	0C0156	PIASTRA FISSAGGIO FIANCHI	SIDE PANEL JOINTING PLATE	
11	140088006	0L0113	GUARNIZIONE CRUSCOTTO	GASKET, CONTROL PANEL	
12	510821301	0C0787	SEMIPIASTRA GHISA	HALF PLATE CAST IRON	1 MODULE
12	510822000	0C7126	SEMIPIASTRA GHISA	HALF PLATE CAST IRON	½ MODULE
13	210021601	026953	DISCO RADIANTE	DISK, PLATE	1 MODULE
13	210026714	050803	DISCO RADIANTE	DISK, PLATE	½ MODULE
13a	330294200	001158	GANCIO SOLLEVADISCO	RINGS HOOK	
14	167600200	*	OLIO PROTETTIVO	PROTECTIVE OIL	
*	80083CK01	0CB507	ASSIEME PIASTRA RADIANTE	PLATE CAST IRON ASSEMBLY	12+13+14 - 1 MOD
*	80083CL00	0CB508	ASSIEME SEMIPIASTRA RADIANTE	HALF PLATE CAST IRON ASSEMBLY	12+13+14 - - ½ MOD
15	510821002	0C1985	GRIGLIA ACCIAIO FUOCHI APERTI	STAINLESS STEEL GRATE OPEN BUR.	ELX

**TUTTAPIASTRA GAS E900XP
GAS SOLID TOP E900XP**

Pos	Factory Code	Spare part code	Descrizione	Description	Ref./Notes
15	510819606	0C1278	GRIGLIA ACCIAIO FUOCHI APERTI	STAINLESS STEEL GRATE OPEN BUR.	ZAN
15a	510819903	0C0132	GRIGLIA GHISA FUOCHI APERTI	CAST IRON GRATE OPEN BURNER	CAST IRON
16	50389LP00	0C7333	GRIGLIA CAMINO	GRID CHIMNEY	
17	511850D02	0C7330	MANOPOLA PER RUBINETTO GAS	KNOB, GAS COCK	ELX up to 2001
17	511851100	0C8715	MANOPOLA PER RUBINETTO GAS	KNOB, GAS COCK	ELX from 2211
17	548878101	0C7425	MANOPOLA PER RUBINETTO GAS	KNOB, GAS COCK	ZAN
17	548865600	0C1007	MANOPOLA PER RUBINETTO GAS	KNOB, GAS COCK	OEM
17a	54887AP00	0C8714	ADATTATORE Ø8	ADAPTER Ø8	ELX from 2211
18	548876S01	0C6671	GHIERA FUOCO ANTERIORE SOLID TOP	RING KNOB, SOLID TOP FRONT BURNER	ELX
18	548876S01	0C6671	GHIERA FUOCO ANTERIORE	RING KNOB, FRONT BURNER	ELX up to 2023/26
18	054887FG00	0CBB0Q	GHIERA FUOCO ANTERIORE	RING KNOB, FRONT BURNER	ELX from 2023/27 up to 2025/47
18	548876S01	0C6671	GHIERA FUOCO ANTERIORE	RING KNOB, FRONT BURNER	ELX from 2025/48 - See TB PDX2025-01
18	548879F00	0C7243	GHIERA FUOCO ANTERIORE	RING KNOB, FRONT BURNER	ZAN, OEM up to 2023/26
18	054887FJ00	0CBB0S	GHIERA FUOCO ANTERIORE	RING KNOB, FRONT BURNER	ZAN, OEM from 2023/27 up to 2025/47
18	548879F00	0C7243	GHIERA FUOCO ANTERIORE	RING KNOB, FRONT BURNER	ZAN, OEM from 2025/48 - See TB PDX2025-01
19	548876T01	0C7332	GHIERA FUOCO POSTERIORE	RING KNOB, REAR BURNER	ELX up to 2023/26
19	054887FH00	0CBB0R	GHIERA FUOCO POSTERIORE	RING KNOB, REAR BURNER	ELX from 2023/27 up to 2025/47
19	548876T01	0C7332	GHIERA FUOCO POSTERIORE	RING KNOB, REAR BURNER	ELX from 2025/48 - See TB PDX2025-01
19	548879G00	0C7244	GHIERA FUOCO POSTERIORE	RING KNOB, REAR BURNER	ZAN, OEM up to 2023/26
19	054887FK00	0CBB0T	GHIERA FUOCO POSTERIORE	RING KNOB, REAR BURNER	ZAN, OEM from 2023/27 up to 2025/47
19	548879G00	0C7244	GHIERA FUOCO POSTERIORE	RING KNOB, REAR BURNER	ZAN, OEM from 2025/48 - See TB PDX2025-01
20	218912211	069567	MOLLETTA PER GHIERA	RING, RING KNOB	
21	511850D02	0C7330	MANOPOLA PER TERMOST. VALVOLA	KNOB, GAS VALVE THERMOSTAT	ELX up to 2001
21	511851100	0C8715	MANOPOLA PER TERMOST. VALVOLA	KNOB, GAS VALVE THERMOSTAT	ELX from 2211
21	548877Z01	0C7179	MANOPOLA PER TERMOST. VALVOLA	KNOB, GAS VALVE THERMOSTAT	ZAN
21	548872700	0C5252	MANOPOLA PER TERMOST. VALVOLA	KNOB, GAS VALVE THERMOSTAT	OEM
21a	54887AP00	0C8714	ADATTATORE Ø8	ADAPTER Ø8	ELX from 2211
22	548863303	0C2021	MANOPOLA ACCENDITORE VALV.	KNOB. GAS VALVE IGNITER	ELX
22	548878303	0C7181	MANOPOLA ACCENDITORE VALV.	KNOB. GAS VALVE IGNITER	ZAN
22	548856603	0C0190	MANOPOLA ACCENDITORE VALV.	KNOB. GAS VALVE IGNITER	OEM

**TUTTAPIASTRA GAS E900XP
GAS SOLID TOP E900XP**

Pos	Factory Code	Spare part code	Descrizione	Description	Ref./Notes
23	548877401	0C7342	GHIERA PER VALVOLA FORNO	KNOB RING. GAS VALVE OVEN	ELX
23	548879700	0C7241	GHIERA PER VALVOLA FORNO	KNOB RING. GAS VALVE OVEN	ZAN, OEM
24	541813800	0C6171	RONDELLA SILICONE	SILICONE GASKET	
25	538831100	0C6445	GRIGLIA PROTEZIONE BULBO	GRILL, PROTECTION PROBE	Up to 2023/26
25	50689G600	0CBB4I	GRIGLIA PROTEZIONE BULBO	GRILL, PROTECTION PROBE	From 2023/27
27	50389G501	0C7272	PORTA FORNO	DOOR, OVEN	
28	50389G600	0C7273	CONTROPORTA	INNER DOOR OVEN	
29	560839601	0C0197	ISOLAMENTO PORTA FORNO	INSULATION, OVEN DOOR	
29a	560839400	0C0195	ISOLAMENTO FORNO	INSULATION, OVEN	
29b	560839502	0C0196	ISOLAMENTO SCHIENA FORNO	INSULATION, BACK OVEN	
30	51589A500	0C7274	MANIGLIA FORNO	HANDLE, OVEN DOOR	ELX
30	51589A602	0C7226	MANIGLIA FORNO	HANDLE, OVEN DOOR	ZAN
30	83089FY00	0C7946	MANIGLIA FORNO	HANDLE, OVEN DOOR	OEM
*	85589A302	0C7271	ASSIEME PORTA FORNO	COMPLETE DOOR	ELX
*	85589CH04	0C7276	ASSIEME PORTA FORNO	COMPLETE DOOR	ZAN
*	85589CQ02	0C7278	ASSIEME PORTA FORNO	COMPLETE DOOR	OEM
31	835848100	0C0203	CERNIERA PORTA FORNO	HINGE, OVEN DOOR	
32	205075423	052725	COPRICERNIERA	HINGE COVER	
33	51489AH00	0C7335	GUIDA PER GRIGLIA FORNO	GRATE LEADING	
33	51489DJ00	0C9751	GUIDA PER GRIGLIA FORNO	GRATE LEADING	AUSTRALIA
34	330260843	025020	GRIGLIA FORNO	GRID; OVEN	
34	856814402	0C6455	GRIGLIA FORNO	GRID; OVEN	AUSTRALIA
35	510818901	0C0123	SUOLA	SOLE	
36	800833100	0C0198	COPERTURA FORO PILOTA	COVERING, PILOT	
39	529852304	0C0183	FONDO VANO	BOTTOM PANEL CUPBOARD	
40	529852404	0C0184	FIANCO DESTRO VANO	RIGHT SIDE PANEL CUPBOARD	
41	529852505	0C0185	CIELO VANO	TOP PANEL CUPBOARD	
42	830898200	0C0201	MAGNETE PORTA	MAGNET, DOOR	
43	50389G300	0C7157	PORTA SINISTRA	LEFT DOOR, CUPBOARD	ELX, ZAN
43	50389MB01	*	PORTA SINISTRA	LEFT DOOR, CUPBOARD	OEM
44	50489CQ00	0C7158	CONTROPORTA	INNER DOOR	
45	51589A700	0C7164	MANIGLIA PORTA SINISTRA	HANDLE, LEFT DOOR	ELX up to 247
45	54887AH00	0C8769	MANIGLIA PORTA SINISTRA	HANDLE, LEFT DOOR	ELX from 248
45	54887A802	0C8190	MANIGLIA PORTA SINISTRA	HANDLE, LEFT DOOR	ZAN
45	854864203	0A5021	MANIGLIA PORTA SINISTRA	HANDLE, LEFT DOOR	OEM
*	85589CT03	0C7163	ASSIEME PORTA VANO	COMPLETE DOOR	ELX
*	85589CU05	0C7165	ASSIEME PORTA VANO	COMPLETE DOOR	ZAN
*	85589CV02	0C7627	ASSIEME PORTA VANO	COMPLETE DOOR	OEM
46	516860801	0C0138	CERNIERA INFERIORE DESTRA	BOTTOM HINGE, RIGHT	
47	516860901	0C0139	CERNIERA SUPERIORE DESTRA	TOP HINGE, RIGHT	
48	529835404	0C0165	SUPPORTO CERNIERA FORNO	SUPPORT FOR HINGE, DOOR OVEN	
50	516860702	0C0137	PIASTRA GIUNZIONE APPARECC.	JOINTING REAR PLATE	
51	870838210	0C0218	FACCIATA FORNO 800mm	FRONT OVEN 800mm	WITH OVEN
51	870838309	0C0219	FACCIATA FORNO 1200mm	FRONT OVEN 1200mm	WITH OVEN
52	529850501	0C0182	PIASTRINA FACCIATA FIANCO	PLATE FRONT OVEN	WITH OVEN
53	529835509	0C0166	INVOLUCRO FORNO	GAS OVEN SHELL	WITH OVEN
54	529835705	0C0167	SCHIENALE FORNO GAS	REAR SIDE PANEL OVEN	WITH OVEN
55	147018072	006451	NASTRO ADESIVO ALLUMINIO	BAND	WITH OVEN
56	529881707	0C0234	FONDO TOP 800mm	BORROM PANEL TOP 800mm	TOP

**TUTTAPIASTRA GAS E900XP
GAS SOLID TOP E900XP**

Pos	Factory Code	Spare part code	Descrizione	Description	Ref./Notes
56	5038A1Z02	*	FONDO MONOBLOCCO 800mm	BOTTOM PANEL FREEST. 800mm	FREESTANDING
56	5038A2004	*	FONDO MONOBLOCCO 1200mm	BOTTOM PANEL FREEST. 1200mm	FREESTANDING
70	529836403	0C0173	ANTERIORE CAMINO FORNO	FRONT CHIMNEY OVEN	
71	529836503	0C0174	POSTERIORE CAMINO FORNO	REAR CHIMNEY OVEN	
72	524892504	0C0788	CAMERA COMBUSTIONE	COMBUSTION CHAMBER	Up to 2024/09
72	5048A2100	0CBCMI	CAMERA COMBUSTIONE	COMBUSTION CHAMBER	From 2024/10
72	533807500	*	CAMERA COMBUSTIONE	COMBUSTION CHAMBER	c,g - Up to 2024/09
72	5048A2200	0CBCMJ	CAMERA COMBUSTIONE	COMBUSTION CHAMBER	c,g - From 2024/10
73	524892601	0C0789	ANTERIORE CAMINO	FRONT PANEL CHIMNEY	Up to 2024/09
73	5048A2G00	0CBCMN	ANTERIORE CAMINO	FRONT PANEL CHIMNEY	From 2024/10
73	533807700	*	ANTERIORE CAMINO	FRONT PANEL CHIMNEY	c,g - Up to 2024/09
73	5048A2300	0CBCMK	ANTERIORE CAMINO	FRONT PANEL CHIMNEY	c,g - From 2024/10
74	524895802	0C0790	PANNELLO PROTEZIONE LATERALE	PROTECTION SIDE PANEL	Up to 2024/09
74	5048A2000	0CBCME	PANNELLO PROTEZIONE LATERALE	PROTECTION SIDE PANEL	From 2024/10
75	524892901	*	DISTANZIALE PANN. PROT.LAT.	SPACER, PROTEC.SIDE PANEL	Up to 2024/09
76	206260400	057382	CORNICE VETRINO SPIA	FRAME, INSPECTION GLASS	
77	282217401	057402	GUARNIZIONE VETRINO SPIA	GASKET, INSPECTION GLASS	
78	275290025	057400	VETRINO SPIA	INSPECTION GLASS	
79	853864302	0C0792	RIBALTA TUTTAPIASTRA TOP	MANIFOLD SOLIDTOP	
79	853864402	0C0793	RIBALTA TUTTAPIASTRA SU FORNO	MANIFOLD SOLIDTOP on OVEN	
79	853864502	0C0794	RIBALTA SIMPLESERVICE	MANIFOLD SIMPLESERVICE	
80	516863902	0C0140	FILTRO	FILTER	
81	0835857202	0C0205	RUBINETTO GAS	GAS TAP	
81a	0835857202	0C0205	RUBINETTO GAS	GAS TAP	Up to 2024/09
81a	083587AF00	0CBB0G	RUBINETTO GAS CON BRIGLIA	GAS TAP WITH BRIDLE	From 2024/10 Up to 2025/48 - See TB PDX2025-01 From 2025/49
81a	0835857202	0C0205	RUBINETTO GAS	GAS TAP	From 2025/49
82	835861306	0C0795	CONDUTTURA BRUCIATORE	GAS PIPE, BURNER	
82	835866103	0C5446	CONDUTTURA BRUCIATORE	GAS PIPE, BURNER	c,g - Up to 2024/09
82	83587AV00	0CBCMQ	CONDUTTURA BRUCIATORE	GAS PIPE, BURNER	c,g From 2024/10 Up to 2024/15
82	83587AV01		CONDUTTURA BRUCIATORE	GAS PIPE, BURNER	c,g From 2024/16
83	517879003	0C0796	CONDUTTURA PILOTA	GAS PIPE, PILOT	
83	517890201	0C2980	CONDUTTURA PILOTA	GAS PIPE, PILOT	c,g - Up to 2024/09
83	51589DR00	0CBCMO	CONDUTTURA PILOTA	GAS PIPE, PILOT	c,g - From 2024/10
84	214164400	052125	RACCORDO PILOTA	PIPE FITTING PILOT PIPE	
85	215199700	052127	BICONO RUBINETTO	DOUBLE CONE, GAS TAP	
86	517808700	059161	BICONO PILOTA	DOUBLE CONE, PILOT	
87	511805801	059375	PORTAUGELLO	INJECTOR HOLDER	

**TUTTAPIASTRA GAS E900XP
GAS SOLID TOP E900XP**

Pos	Factory Code	Spare part code	Descrizione	Description	Ref./Notes
87	511805401	059250	PORTAUGELLO	INJECTOR HOLDER	c,g
88	214105101	020997	CONTRODADO PORTAUGELLO	LOCK NUT, INJECTOR HOLDER	
89	830865104	059374	BRUCIATORE	BURNER	a,b,d,e,f,h, i,l,n,o,p,q,r,s,t
89	510822700	0C4719	BRUCIATORE	BURNER	c,g
90	210942401	052377	SPARTIFIAMMA	FLAME SPREADER	a,b,d,e,f,h, i,l,n,o,p,q,r,s,t
91	510822800	0C2993	SPARTIFIAMMA	FLAME SPREADER	c,g
91	206117200	052374	DISCO PER BRUCIATORE	DISK, BURNER	
92	206410400	052500	TEGOLO	CONTACTOR	
93	215086000	051774	BOCCOLA	BUSH	
94	830884101	0C7102	PILOTA	PILOT BURNER	
95	524893000	0C0797	SUPPORTO PILOTA	HOLDER PILOT	
96	831800500	0C0202	TERMOCOPPIA	THERMOCOUPLE	
97	214162000	0C0121	RACCORDO TERMOCOPPIA	PIPE FITTING, THERMOCOUPLE	
98	830863300	059380	ELETTRODO	ELECTRODE	
99	214164101	057960	RACCORDO ELETTRODO	PIPE FITTING, ELECTRODE	
100	835834900	002605	ACCENDITORE PIEZO	PIEZOELECTRIC IGNITER	
101	638883500	006514	CAVO	IGNITION CABLE	L = 700
101	638832401	002544	CAVO	IGNITION CABLE	L = 1000 Aus- tralia
102	541809000	002816	COPERTURA PULSANTE PIEZO	COVER, PIEZO	
103	506833401	054029	GUARNIZIONE UGELLO	GASKET, INJECTOR	
104	835857407	0C0206	CONDUTTURA ANTERIORE FUOCHI	PIPE, FRONTAL OPEN BURNER	
105	835857507	0C0207	CONDUTTURA POSTERIORE FUOCHI	PIPE, REAR OPEN BURNER	
106	544820700	0C3647	CONDUTTURA ANTERIORE PILOTA	PIPE, FRONTAL PILOT	
106	544821100	0C3648	CONDUTTURA POSTERIORE PILOTA	PIPE, REAR PILOT	
107	510823900	0C3643	RACCORDO INFERIORE PILOTA	INFERIOR PILOT JUNCTION	
108	835859302	0C5247	VALVOLA GAS MERTIK	GAS VALVE MERTIK	Up to 2023/26 With its relevant pos. 25
108	835859303	0CBCJ7	VALVOLA GAS MERTIK	GAS VALVE MERTIK	From 2023/27 With its relevant pos. 25
109	515827401	053665	BICONO	DOUBLE CONE	
110	510819004	0C0124	SUPPORTO VENTURI	SUPPORT, VENTURI	
111	510820602	0C0133	VENTURI 10 KW	VENTURI, 10 KW	
112	510819103	0C0125	VENTURI 6 KW	VENTURI, 6 KW	
113	543829700	0C0188	GUARNIZIONE OR	O RING	
114	510819203	0C0126	CORPO BRUCIATORE 10 KW	BURNER 10 KW	
115	510819303	0C0127	CORPO BRUCIATORE 6KW	BURNER 6KW	
116	510819401	0C0128	SPARTIFIAMMA; 10 KW	FLAME SPREADER 10 KW	
117	510819501	0C0129	SPARTIFIAMMA 6kW	FLAME SPREADER 6kW	
118	0806854300	0C3644	PILOTA	PILOT BURNER	
119	831800500	0C0202	TERMOCOPPIA	THERMOCOUPLE	
120	514862501	051950	RACCORDO VALVOLA - RIBALTA	PIPE ADAPTER PIPE / VALVE	
121	215170716	050682	OGIVA VALVOLA - RIBALTA	OLIVE PIPE / VALVE	
122	835857602	0C0208	CONDUTTURA FORNO	PIPE, OVEN	
123	516869500	0C0149	RACCORDO VALVOLA - COND.FORNO	PIPE ADAPTER, VALVE - OVEN	
124	516869600	0C0150	BICONO VALVOLA - COND.FORNO	DOUBLE CONE, VALVE - OVEN	
125	514829301	0A2125	DADO, CONDUTTURA FORNO	NUT, OVEN PIPE	

**TUTTAPIASTRA GAS E900XP
GAS SOLID TOP E900XP**

Pos	Factory Code	Spare part code	Descrizione	Description	Ref./Notes
126	215073101	060325	BICONO, CONDUTTURA FORNO	DOUBLE CONE, OVEN PIPE	
127	544820800	0C0153	CONDUTTURA PILOTA	PIPE, PILOT	
128	830860902	059221	BRUCIATORE FORNO	OVEN BURNER	
129	511805401	059250	PORTAUGELLO	INJECTOR HOLDER	
130	214105101	020997	CONTRODADO	LOCK NUT	
131	830827102	054085	AREATORE	AREATOR	
132	830852501	020094	TERMOCOPPIA FORNO	THERMOCOUPLE OVEN	
133	529836201	0C0171	SQUADRETTA PILOTA	BRACKET, PILOT	
134	529836300	0C0172	PROTEZIONE PILOTA	PROTECTION, PILOT	
135	529836602	0C0175	PARAFIAMMA BRUCIATORE FORNO	FLAME SPREADER, OVEN	
136	560842403	0C0798	ISOLAMENTO CENTRALE	CENTRAL INSULATION	
137	560839400	0C0195	ISOLAMENTO LATERALE	SIDES INSULATION	
138	529835902	0C0168	CONVOGLIATORE BRUCIATORE	PROTECTION, BURNER	
139	529836000	0C0169	CHIUSURA PER CONVOGLIATORE	PROTECTION TIGHTENER	
140	529836101	0C0170	CHIUSURA PER BRUCIATORE	OVEN BURNER TIGHTENER	