

BRASIERA 80/100L E900 XP
BRATT PAN 80/100L E900 XP

PNC	Model	Ref	Brand	Version	Notes
190001	Z9BREHDOF9	u2	ZAN	EL	80LT DUPLEX BOTTOM AUT.
190EAH	E9BREJDPFM	j1	EPR	EL	100LT EL.BRAISING PAN-DUOMAT BOTTOM AUT.
190EAO	Z9BREHDOF0	w2	ZAN	EL	80LT DUPLEX BOTTOM MARINE
190EAU	E9BREJDPFM	v2	EPR	EL	100LT DUPLEX BOTTOM AUT. MARINE
190ECZ	E9BREHDOF0	x2	EPR	EL	80LT EL.BRAISING PAN-DUOMAT BOTTOM
190ED6	E9BREJDPF0	y2	EPR	EL	100LT EL.BRAISING PAN-DUOMAT BOTTOM
190ESO	E9BREHDOF0	t	EPR	EL	80LT EL.BRAISING PAN-DUOMAT BOTTOM
190EZ4	E9BREJDPF0	j	EPR	EL	100LT EL.BRAISING PAN-DUOMAT BOTTOM
190F4H	E9BREHDOFM	u	EPR	EL	80LT EL.BRAISING PAN-DUOMAT BOTTOM AUT.
190F4W	E9BREJDPF0	v	EPR	EL	100LT EL.BRAISING PAN-DUOMAT BOTTOM
190GH5	E9BREJDPFM	j2	EPR	EL	100LT EL.BRAISING PAN-DUOMAT BOTTOM AUT.
190GIK	E9BREJDPF0	k1	EPR	EL	100LT EL.BRAISING PAN-DUOMAT BOTTOM
391134	E9BRGHMOF0	a	EPR	GAS	80LT MILD STEEL BOTTOM
391135	E9BRGHMOFM	b	EPR	GAS	80LT MILD STEEL BOTTOM AUT
391136	E9BRGHDOF0	c	EPR	GAS	80LT DUPLEX BOTTOM
391137	E9BRGHDOFM	d	EPR	GAS	80LT DUPLEX BOTTOM AUT.
391138	E9BRGJMPF0	e	EPR	GAS	100LT MILD STEEL BOTTOM
391139	E9BRGJMPFM	f	EPR	GAS	100LT MILD ST. BOTTOM AUT.
391140	E9BRGJDPF0	g	EPR	GAS	100LT DUPLEX BOTTOM
391141	E9BRGJDPFM	h	EPR	GAS	100LT DUPLEX BOTTOM AUT.
391143	E9BREHMOF0	l	EPR	EL	80LT MILD STEEL BOTTOM
391144	E9BREHMOFM	m	EPR	EL	80LT MILD STEEL BOTTOM AUT.
391145	E9BREHDOF0	n	EPR	EL	80LT DUPLEX BOTTOM
391146	E9BREHDOFM	o	EPR	EL	80LT DUPLEX BOTTOM AUT.
391147	E9BREJMPF0	p	EPR	EL	100LT MILD STEEL BOTTOM
391148	E9BREJMPFM	q	EPR	EL	100LT MILD ST. BOTTOM AUT.
391149	E9BREJDPF0	r	EPR	EL	100LT DUPLEX BOTTOM
391150	E9BREJDPFM	s	EPR	EL	100LT DUPLEX BOTTOM AUT.
391302	E9BRGHDOFW	t2	EPR	GAS	80LT DUPLEX BOTTOM AUT.
391416	E9BREHDOF0	n	EPR	EL	80LT EL.BRATT PAN DUPLEX-WATERMARK
391417	E9BREHDOFM	o	EPR	EL	80LT EL.BRATT PAN DUPLEX AUT-WATERMARK
391420	E9BREJDPF0	r	EPR	EL	100LT EL.BRATT PAN DUPLEX-WATERMARK
391421	E9BREJDPFM	s	EPR	EL	100LT EL.BRATT PAN DUPLEX AUT-WATERMARK

Index

General components / Componenti struttura	4
Lifting system / Componenti sollevamento	5
Electric components / Componenti elettrici	6
Gas components UP TO WK46 2011 / Componenti Gas FINO a sett. 46/2011	7
Gas components FROM WK47 2011 / Componenti Gas DA a sett. 47/2011	8
Nozzles table / Tabelle ugelli	9
Spare parts list / Lista ricambi	10-16

Bold=last change / Grassetto =ultima modifica

Rev. 11

BRASIERA 80/100L E900 XP
BRATT PAN 80/100L E900 XP

PNC	Model	Ref	Brand	Version	Notes
392134	Z9BRGHMOF0	a1	ZAN	GAS	80LT MILD STEEL BOTTOM
392135	Z9BRGHMOFM	b1	ZAN	GAS	80LT MILD STEEL BOTTOM AUT
392136	Z9BRGHDOF0	c1	ZAN	GAS	80LT DUPLEX BOTTOM
392137	Z9BRGHDOFM	d1	ZAN	GAS	80LT DUPLEX BOTTOM AUT.
392138	Z9BRGJMPF0	e1	ZAN	GAS	100LT MILD STEEL BOTTOM
392139	Z9BRGJMPPM	f1	ZAN	GAS	100LT MILD ST. BOTTOM AUT.
392140	Z9BRGJDPF0	g1	ZAN	GAS	100LT DUPLEX BOTTOM
392141	Z9BRGJDPPM	h1	ZAN	GAS	100LT DUPLEX BOTTOM AUT.
392143	Z9BREHMOF0	n1	ZAN	EL	80LT MILD STEEL BOTTOM
392144	Z9BREHMOFM	o1	ZAN	EL	80LT MILD STEEL BOTTOM AUT.
392145	Z9BREHDOF0	p1	ZAN	EL	80LT DUPLEX BOTTOM
392146	Z9BREHDOFM	q1	ZAN	EL	80LT DUPLEX BOTTOM AUT.
392147	Z9BREJMPF0	r1	ZAN	EL	100LT MILD STEEL BOTTOM
392148	Z9BREJMPPM	s1	ZAN	EL	100LT MILD ST. BOTTOM AUT.
392149	Z9BREJDPF0	t1	ZAN	EL	100LT DUPLEX BOTTOM
392150	Z9BREJDPPM	u1	ZAN	EL	100LT DUPLEX BOTTOM AUT.
392416	Z9BREHDOF0	p1	ZAN	EL	80LT EL.BRATT PAN DUPLEX -WATERMARK
392417	Z9BREHDOFM	q1	ZAN	EL	80LT EL.BRATT PAN DUPLEX AUT-WATERMARK
392420	Z9BREJDPF0	t1	ZAN	EL	100LT EL.BRATT PAN DUPLEX -WATERMARK
392421	Z9BREJDPPM	u1	ZAN	EL	100LT EL.BRATT PAN DUPLEX AUT-WATERMARK
393134	A9BRGHMOF0	a2	OEM	GAS	80LT MILD STEEL BOTTOM
393135	A9BRGHMOFM	b2	OEM	GAS	80LT MILD STEEL BOTTOM AUT
393136	A9BRGHDOF0	c2	OEM	GAS	80LT DUPLEX BOTTOM
393137	A9BRGHDOFM	d2	OEM	GAS	80LT DUPLEX BOTTOM AUT.
393138	A9BRGJMPF0	e2	OEM	GAS	100LT MILD STEEL BOTTOM
393139	A9BRGJMPPM	f2	OEM	GAS	100LT MILD ST. BOTTOM AUT.
393140	A9BRGJDPF0	g2	OEM	GAS	100LT DUPLEX BOTTOM
393141	A9BRGJDPPM	h2	OEM	GAS	100LT DUPLEX BOTTOM AUT.
393143	A9BREHMOF0	l2	OEM	EL	80LT MILD STEEL BOTTOM
393144	A9BREHMOFM	m2	OEM	EL	80LT MILD STEEL BOTTOM AUT.
393145	A9BREHDOF0	n2	OEM	EL	80LT DUPLEX BOTTOM
393146	A9BREHDOFM	o2	OEM	EL	80LT DUPLEX BOTTOM AUT.
393147	A9BREJMPF0	p2	OEM	EL	100LT MILD STEEL BOTTOM

Index

General components / Componenti struttura	4
Lifting system / Componenti sollevamento	5
Electric components / Componenti elettrici	6
Gas components UP TO WK46 2011 / Componenti Gas FINO a sett. 46/2011	7
Gas components FROM WK47 2011 / Componenti Gas DA a sett. 47/2011	8
Nozzles table / Tabelle ugelli	9
Spare parts list / Lista ricambi	10-16

Bold=last change / Grassetto =ultima modifica

Rev. 11

BRASIERA 80/100L E900 XP
BRATT PAN 80/100L E900 XP

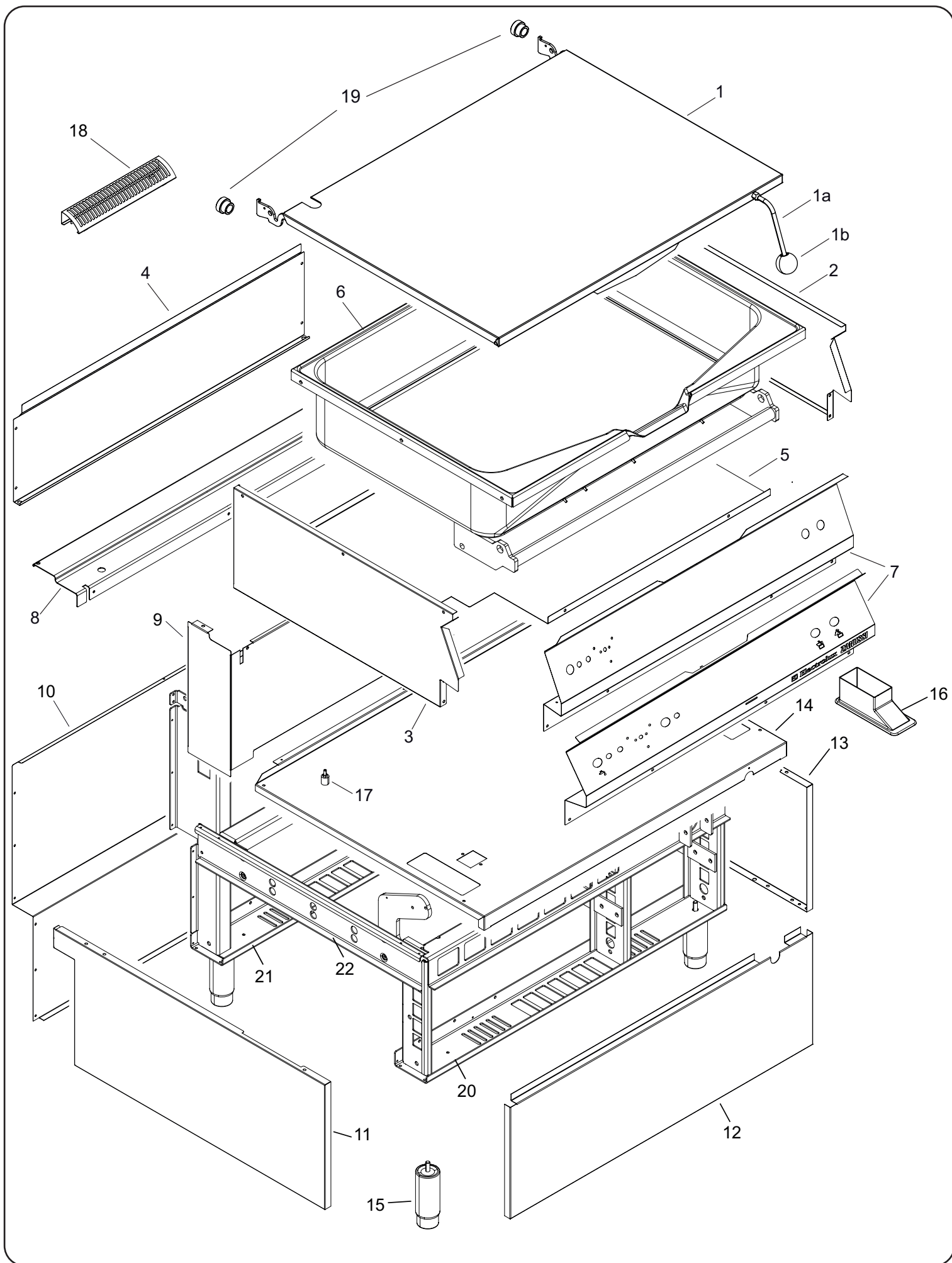
PNC	Model	Ref	Brand	Version	Notes
393148	A9BREJMPFM	q2	OEM	EL	100LT MILD ST. BOTTOM AUT.
393149	A9BREJDPF0	r2	OEM	EL	100LT DUPLEX BOTTOM
393150	A9BREJDPFM	s2	OEM	EL	100LT DUPLEX BOTTOM AUT.
393416	A9BREHDOF0	n2	OEM	EL	80LT EL.BRAISING PAN-DUOMAT -WATERMARK
393417	A9BREHDOFM	o2	OEM	EL	80LT EL.BRAISING PAN-DUOMAT AUT-WATERMARK
393420	A9BREJDPF0	r2	OEM	EL	100LT EL.BRAISING PAN-DUOMAT -WATERMARK
393421	A9BREJDPFM	s2	OEM	EL	100LT EL.BRAISING PAN-DUOMAT AUT-WATERMARK
393704	L9BREJDPF5	k	LOIPART	EL	100LT EL.BRAISING PAN-DUOMAT BOTTOM, LOIPART

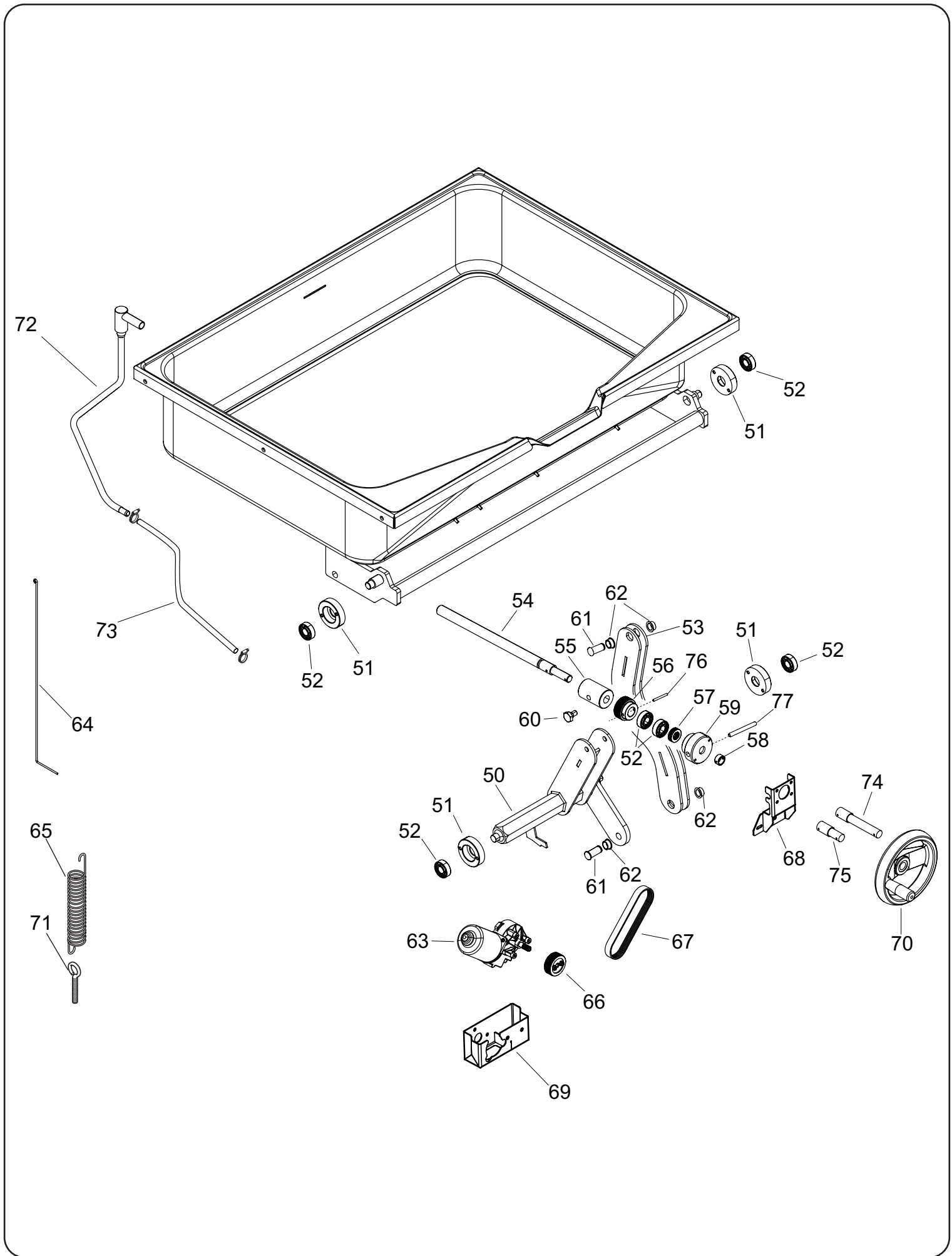
Index

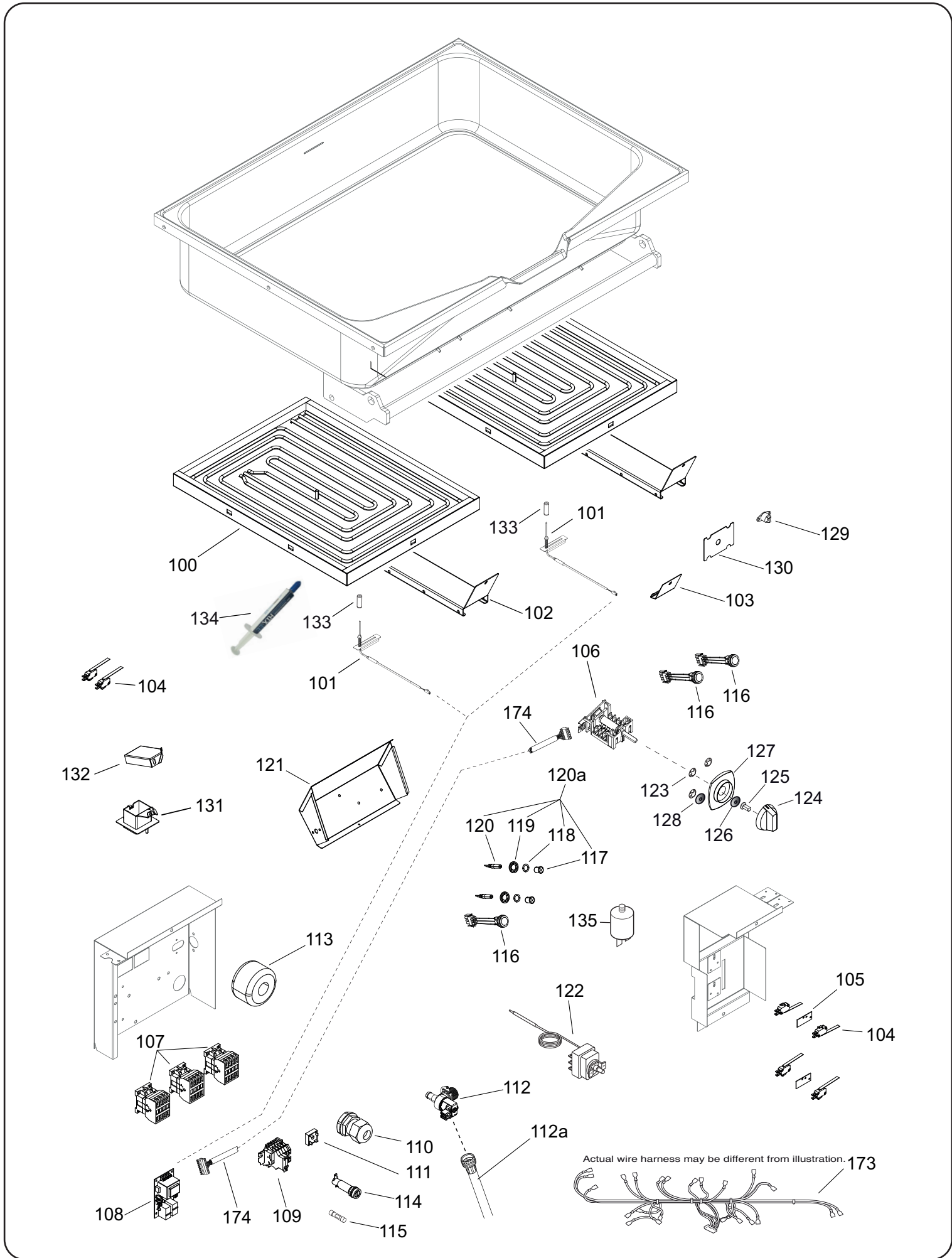
General components / Componenti struttura	4
Lifting system / Componenti sollevamento	5
Electric components / Componenti elettrici	6
Gas components UP TO WK46 2011 / Componenti Gas FINO a sett. 46/2011	7
Gas components FROM WK47 2011 / Componenti Gas DA a sett. 47/2011	8
Nozzles table / Tabelle ugelli	9
Spare parts list / Lista ricambi	10-16

Bold=last change / Grassetto =ultima modifica

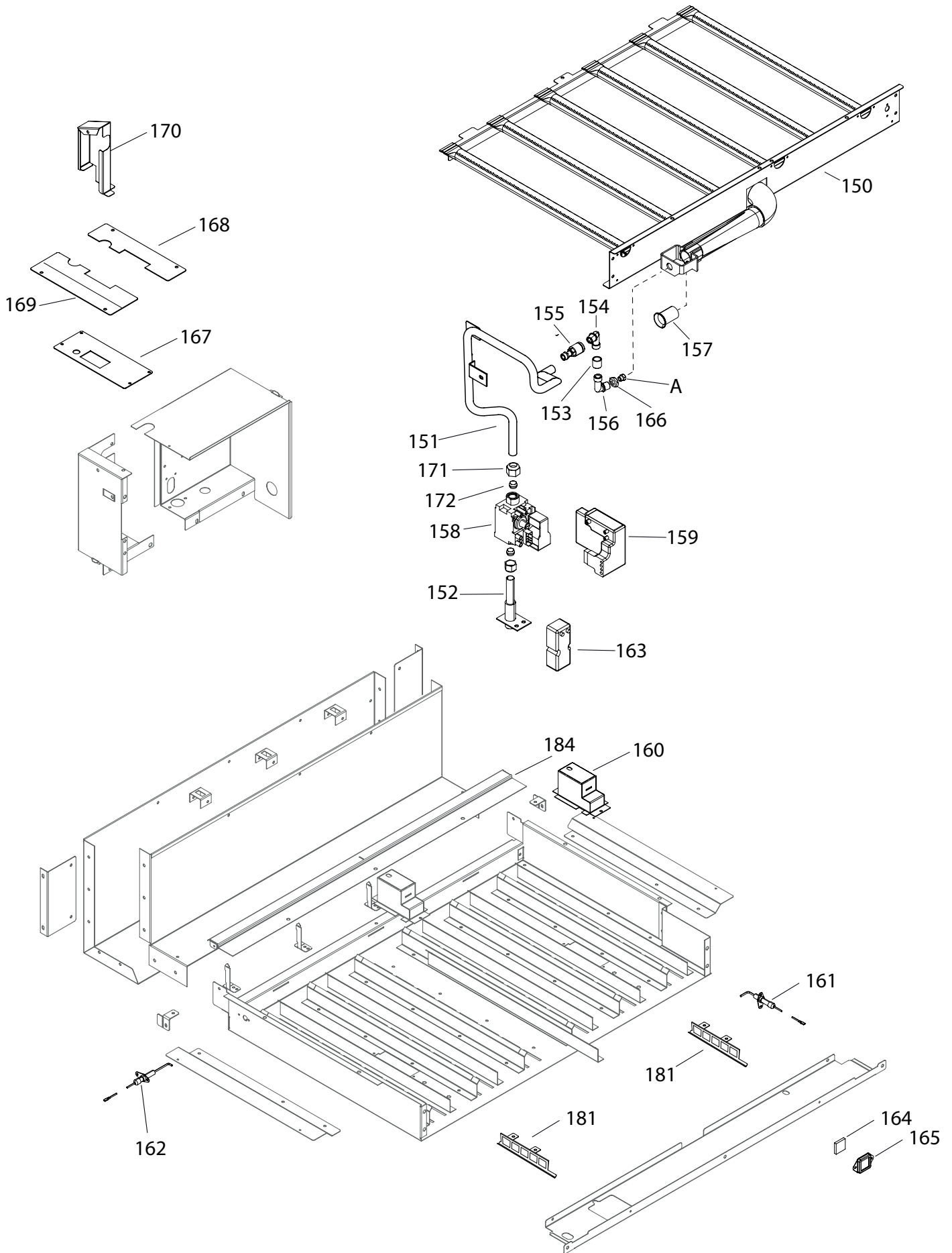
Rev. 11



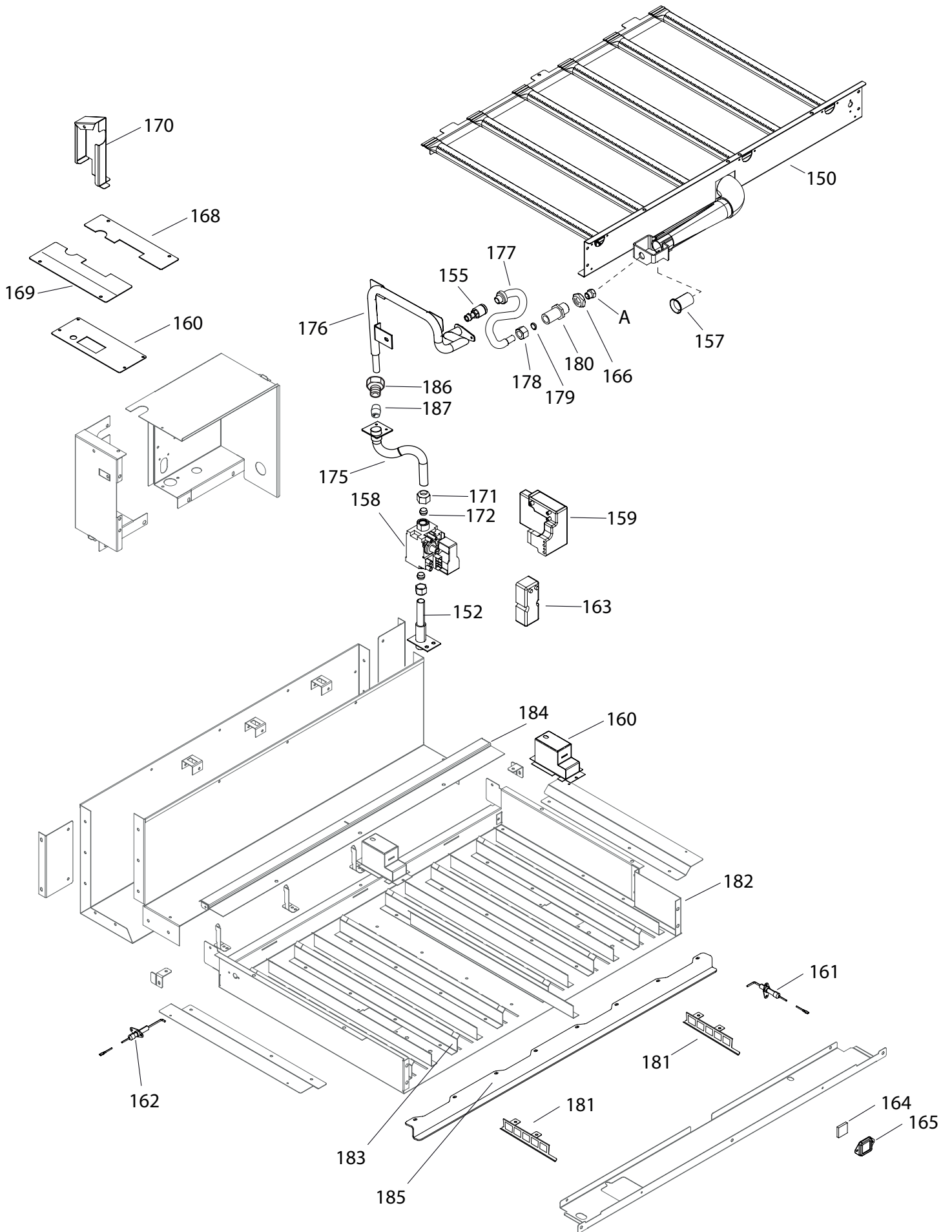




GAS COMPONENTS UP TO WK 46/2011



GAS COMPONENTS FROM WK 47/2011



Brasiera 80lt / Brat Pan 80lt				
A - Ugello bruciatore / Burner nozzle				
Code	Spare part code	Reference		
A05158400	0A2104	ø 2.40	3+3B/P	G30 30mbar
A05659400	0A2475	ø 2.25	3B/P	G30 37mbar
A05620700	058335	ø 2.05	3B/P	G30 50mbar
A05659600	059359	ø 3.60	2H/2E+	G20 20mbar
516813100	002782	ø 3.40	2H	G20 25mbar
514887900	059639	ø 3.75	2L	G25 25mbar
A05659600	059359	ø 3.60	2K	G25.3 25mbar
A05257200	0C0703	ø 4.20	2ELL	G25 20mbar
514887900	059639	ø 3.75	2ES	G25.1 25mbar

Brasiera 100lt / Brat Pan 100lt				
A - Ugello bruciatore / Burner nozzle				
Code	Spare part code	Reference		
A05230100	056795	ø 2.70	3+3B/P	G30 30mbar
A05659500	059382	ø 2.50	3B/P	G30 37mbar
A05662000	0A5356	ø 2.35	3B/P	G30 50mbar
516813500	002792	ø 4.15	2H/2E+	G20 20mbar
516816000	002866	ø 3.90	2H	G20 25mbar
516816500	002864	ø 4.50	2L	G25 25mbar
514888900	059532	ø 4.25	2K	G25.3 25mbar
516832800	003951	ø 4.70	2ELL	G25 20mbar
516816500	002864	ø 4.50	2S	G25.1 25mbar

BRASIERA 80/100L E900 XP
BRATT PAN 80/100L E900 XP

Pos	Factory Code	Spare Code	Descrizione	Description	Ref./Notes
1	87089CV00	0C7398	ASSIEME COPERCHIO	COMPLETE COVER	100L untill sn136
1	87089CV01	0C8631	ASSIEME COPERCHIO	COMPLETE COVER	100L from sn137
1	87089ML00	*	ASSIEME COPERCHIO	COMPLETE COVER	80L untill sn136
1	87089ML01	0C7957	ASSIEME COPERCHIO	COMPLETE COVER	80L from sn137
1a	51489B800	0C8426	MANIGLIA	HANDLE SHAFT	
1b	548832200	0A5213	IMPUGNATURA	KNOB	
2	50389W801	0C8566	FIANCO DX VASCA	WELL SIDE PANEL, RIGHT	
3	50389W701	0C8565	FIANCO SX VASCA	WELL SIDE PANEL, LEFT	
4	50389VY02	0C8468	SCHIENALE VASCA	WELL BACK PANEL	100L - GAS
4	5038A0402	0C8754	SCHIENALE VASCA	WELL BACK PANEL	80L - GAS
4	50389MT01	*	SCHIENALE VASCA	WELL BACK PANEL	100L - EL
4	50389MU01	0CB291	SCHIENALE VASCA	WELL BACK PANEL	80L - EL
5	50389WG02	*	FONDO RIVESTIMENTO VASCA	WELL BOTTON PANEL	100L - EL
5	50389WH03	*	FONDO RIVESTIMENTO VASCA	WELL BOTTON PANEL	80L - EL
6	87589AU00	*	ASSIEME VASCA DUPLEX	WELL, BRAT PAN DUPLEX	100L EL - untill sn136
6	87589AU04	0C8409	ASSIEME VASCA DUPLEX	WELL, BRAT PAN DUPLEX	100L EL - from sn137
6	87589B601	*	ASSIEME VASCA DUPLEX	WELL, BRAT PAN DUPLEX	100L GAS - untill sn136
6	87589B605	0C8414	ASSIEME VASCA DUPLEX	WELL, BRAT PAN DUPLEX	100L GAS - from sn137
6	87589B701	*	ASSIEME VASCA DUPLEX	WELL, BRAT PAN DUPLEX	80L EL - untill sn136
6	87589B704	0C8388	ASSIEME VASCA DUPLEX	WELL, BRAT PAN DUPLEX	80L EL - from sn137
6	87589B801	*	ASSIEME VASCA DUPLEX	WELL, BRAT PAN DUPLEX	80L GAS - untill sn136
6	87589B805	0C8415	ASSIEME VASCA DUPLEX	WELL, BRAT PAN DUPLEX	80L GAS - from sn137
6	87589B901	*	ASSIEME VASCA FERRO	WELL, BRAT PAN MILD STEEL	100L EL - untill sn136
6	87589B904	0C8416	ASSIEME VASCA FERRO	WELL, BRAT PAN MILD STEEL	100L EL - from sn137
6	87589BB01	*	ASSIEME VASCA FERRO	WELL, BRAT PAN MILD STEEL	100L GAS - untill sn136
6	87589BB05	0C8417	ASSIEME VASCA FERRO	WELL, BRAT PAN MILD STEEL	100L GAS - from sn137
6	87589BC01	*	ASSIEME VASCA FERRO	WELL, BRAT PAN MILD STEEL	80L EL - untill sn136
6	87589BC04	0C8418	ASSIEME VASCA FERRO	WELL, BRAT PAN MILD STEEL	80L EL - from sn137
6	87589BD01	*	ASSIEME VASCA FERRO	WELL, BRAT PAN MILD STEEL	80L GAS - untill sn136
6	87589BD05	0C8419	ASSIEME VASCA FERRO	WELL, BRAT PAN MILD STEEL	80L GAS - from sn137
7	83089FR01	0C7397	CRUSCOTTO BRAS. AUTOMATICA	CONTROL PANEL AUTOMATIC B.P.	EPR 100L EL - untill sn136
7	83089FR08	0C8389	CRUSCOTTO BRAS. AUTOMATICA	CONTROL PANEL AUTOMATIC B.P.	EPR 100L EL - from sn137
7	83089FS01	0C7396	CRUSCOTTO BRAS. AUTOMATICA	CONTROL PANEL AUTOMATIC B.P.	EPR 100L GAS - untill sn136
7	83089FS08	0C8390	CRUSCOTTO BRAS. AUTOMATICA	CONTROL PANEL AUTOMATIC B.P.	EPR 100L GAS - from sn137
7	83089FV01	*	CRUSCOTTO BRAS. AUTOMATICA	CONTROL PANEL AUTOMATIC B.P.	EPR 80L EL - untill sn136
7	83089FV08	0C7952	CRUSCOTTO BRAS. AUTOMATICA	CONTROL PANEL AUTOMATIC B.P.	EPR 80L EL - from sn137
7	83089FX01	*	CRUSCOTTO BRAS. AUTOMATICA	CONTROL PANEL AUTOMATIC B.P.	EPR 80L GAS - untill sn136

BRASIERA 80/100L E900 XP
BRATT PAN 80/100L E900 XP

Pos	Factory Code	Spare Code	Descrizione	Description	Ref./Notes
7	83089FX08	0C8391	CRUSCOTTO BRAS. AUTOMATICA	CONTROL PANEL AUTOMATIC B.P.	EPR 80L GAS from sn137
7	83089FZ00	*	CRUSCOTTO BRAS. MANUALE	CONTROL PANEL MANUAL B.P.	EPR 100L EL untill sn136
7	83089FZ08	0C8392	CRUSCOTTO BRAS. MANUALE	CONTROL PANEL MANUAL B.P.	EPR 100L EL from sn137
7	83089G100	*	CRUSCOTTO BRAS. MANUALE	CONTROL PANEL MANUAL B.P.	EPR 80L EL untill sn136
7	83089G107	0C8393	CRUSCOTTO BRAS. MANUALE	CONTROL PANEL MANUAL B.P.	EPR 80L EL from sn137
7	83089G200	*	CRUSCOTTO BRAS. MANUALE	CONTROL PANEL MANUAL B.P.	EPR 100L GAS untill sn136
7	83089G207	0C8394	CRUSCOTTO BRAS. MANUALE	CONTROL PANEL MANUAL B.P.	EPR 100L GAS from sn137
7	83089G300	*	CRUSCOTTO BRAS. MANUALE	CONTROL PANEL MANUAL B.P.	ZAN 100L GAS untill sn136
7	83089G306	0C8395	CRUSCOTTO BRAS. MANUALE	CONTROL PANEL MANUAL B.P.	ZAN 100L GAS from sn137
7	83089G400	*	CRUSCOTTO BRAS. MANUALE	CONTROL PANEL MANUAL B.P.	EPR 80L GAS untill sn136
7	83089G407	0C8396	CRUSCOTTO BRAS. MANUALE	CONTROL PANEL MANUAL B.P.	EPR 80L GAS from sn137
7	83089LR01	*	CRUSCOTTO BRAS. MANUALE	CONTROL PANEL MANUAL B.P.	t2
7	83089G700	*	CRUSCOTTO BRAS. MANUALE	CONTROL PANEL MANUAL B.P.	ZAN 80L GAS untill sn136
7	83089G706	0C8397	CRUSCOTTO BRAS. MANUALE	CONTROL PANEL MANUAL B.P.	ZAN 80L GAS from sn137
7	83089G800	*	CRUSCOTTO BRAS. AUTOMATICA	CONTROL PANEL AUTOMATIC B.P.	ZAN 80L GAS untill sn136
7	83089G806	0C8398	CRUSCOTTO BRAS. AUTOMATICA	CONTROL PANEL AUTOMATIC B.P.	ZAN 80L GAS from sn137
7	83089G900	*	CRUSCOTTO BRAS. AUTOMATICA	CONTROL PANEL AUTOMATIC B.P.	ZAN - 100L - GAS
7	83089G906	0C8399	CRUSCOTTO BRAS. AUTOMATICA	CONTROL PANEL AUTOMATIC B.P.	ZAN - 100L - GAS
7	83089GA00	*	CRUSCOTTO BRAS. MANUALE	CONTROL PANEL MANUAL B.P.	ZAN 80L EL untill sn136
7	83089GA06	0C8400	CRUSCOTTO BRAS. MANUALE	CONTROL PANEL MANUAL B.P.	ZAN 80L EL from sn137
7	83089GB00	0C7953	CRUSCOTTO BRAS. AUTOMATICA	CONTROL PANEL AUTOMATIC B.P.	ZAN 80L EL untill sn136
7	83089GB06	0C7953	CRUSCOTTO BRAS. AUTOMATICA	CONTROL PANEL AUTOMATIC B.P.	ZAN 80L EL from sn137
7	83089GC00	*	CRUSCOTTO BRAS. MANUALE	CONTROL PANEL MANUAL B.P.	ZAN 100L EL untill sn136
7	83089GC06	0C8401	CRUSCOTTO BRAS. MANUALE	CONTROL PANEL MANUAL B.P.	ZAN 100L EL from sn137
7	83089GD00	*	CRUSCOTTO BRAS. AUTOMATICA	CONTROL PANEL AUTOMATIC B.P.	ZAN 100L EL untill sn136
7	83089GD06	0C7954	CRUSCOTTO BRAS. AUTOMATICA	CONTROL PANEL AUTOMATIC B.P.	ZAN 100L EL from sn137
7	83089GF00	*	CRUSCOTTO BRAS. MANUALE	CONTROL PANEL MANUAL B.P.	OEM 80L GAS untill sn136
7	83089GF07	0C8402	CRUSCOTTO BRAS. MANUALE	CONTROL PANEL MANUAL B.P.	OEM 80L GAS from sn137
7	83089GG00	*	CRUSCOTTO BRAS. AUTOMATICA	CONTROL PANEL AUTOMATIC B.P.	OEM 80L GAS untill sn136
7	83089GG07	0C8403	CRUSCOTTO BRAS. AUTOMATICA	CONTROL PANEL AUTOMATIC B.P.	OEM 80L GAS from sn137
7	83089GH00	*	CRUSCOTTO BRAS. MANUALE	CONTROL PANEL MANUAL B.P.	OEM 100L GAS untill sn136
7	83089GH07	0C8404	CRUSCOTTO BRAS. MANUALE	CONTROL PANEL MANUAL B.P.	OEM 100L GAS from sn137

BRASIERA 80/100L E900 XP
BRATT PAN 80/100L E900 XP

Pos	Factory Code	Spare Code	Descrizione	Description	Ref./Notes
7	83089GJ00	*	CRUSCOTTO BRAS. AUTOMATICA	CONTROL PANEL AUTOMATIC B.P.	OEM 100L GAS untill sn136
7	83089GJ07	0C8405	CRUSCOTTO BRAS. AUTOMATICA	CONTROL PANEL AUTOMATIC B.P.	OEM 100L GAS from sn137
7	83089GK00	*	CRUSCOTTO BRAS. MANUALE	CONTROL PANEL MANUAL B.P.	OEM 80L EL from sn137
7	83089GK07	0C8407	CRUSCOTTO BRAS. MANUALE	CONTROL PANEL MANUAL B.P.	OEM 80L EL untill sn136
7	83089GL00	*	CRUSCOTTO BRAS. AUTOMATICA	CONTROL PANEL AUTOMATIC B.P.	OEM 80L EL from sn137
7	83089GL07	0C7955	CRUSCOTTO BRAS. AUTOMATICA	CONTROL PANEL AUTOMATIC B.P.	OEM 80L EL untill sn136
7	83089GM00	*	CRUSCOTTO BRAS. MANUALE	CONTROL PANEL MANUAL B.P.	OEM 100L EL untill sn136
7	83089GM07	0C8408	CRUSCOTTO BRAS. MANUALE	CONTROL PANEL MANUAL B.P.	OEM 100L EL from sn137
7	83089GM07	0C8408	CRUSCOTTO BRAS. MANUALE	CONTROL PANEL MANUAL B.P.	k - LOIPART 100L EL
7	83089GN00		CRUSCOTTO BRAS. AUTOMATICA	CONTROL PANEL AUTOMATIC B.P.	OEM 100L EL untill sn136
7	83089GN07	0C7956	CRUSCOTTO BRAS. AUTOMATICA	CONTROL PANEL AUTOMATIC B.P.	OEM 100L EL from sn137
8	83089FQ00	*	PANNELLO POSTERIORE RIPIANO	WORK TOP BACK PANEL	100L - EL
8	83089FT00	*	PANNELLO POSTERIORE RIPIANO	WORK TOP BACK PANEL	80L - EL
8	83089FU00	*	PANNELLO POSTERIORE RIPIANO	WORK TOP BACK PANEL	100L - GAS
8	83089FW00	*	PANNELLO POSTERIORE RIPIANO	WORK TOP BACK PANEL	80L - GAS
9	50389W503	0CA935	SCHIENALE BASE	BASE BACK PANEL	100L - EL
9	50389W603	0CA493	SCHIENALE BASE	BASE BACK PANEL	80L - EL
9	50389VZ04	*	SCHIENALE BASE	BASE BACK PANEL	100L - GAS
9	5038A0W04	*	SCHIENALE BASE	BASE BACK PANEL	80L - GAS
10	50389XP01	0CA170	SCHENALE MONOBLOCCO	BACK PANEL	100L - EL and GAS
10	538844802	0CA494	SCHENALE MONOBLOCCO	BACK PANEL	80L - EL and GAS
11	50389N403	*	FIANCO BASE SINISTRO	SIDE PANEL, LEFT	
12	50389W301	*	PANNELLO ANTERIORE	FRONT PANEL	100L
12	50389W401	*	PANNELLO ANTERIORE	FRONT PANEL	80L
13	50389N303	*	FIANCO BASE DESTRO	SIDE PANEL, RIGHT	
14	50389N002	*	PANNELLO COPERTURA BASE	COVER PANEL	100L - EL
14	50389N102	0CB292	PANNELLO COPERTURA BASE	COVER BASE PANEL	80L - EL
14	5038A1R03	*	PANNELLO COPERTURA BASE	COVER BASE PANEL	100L - GAS
14	5038A1S03	0CA739	PANNELLO COPERTURA BASE	COVER BASE PANEL	80L - GAS
15	835856900	0C0204	PIEDE	FOOT	
15	806844600	0C3324	PIEDE MARINE	MARINE FOOT	k,v,k1,v2,w2,y2
16	541813C00	0C8680	PROTEZIONE CERNIERA	HINGE COVER	
17	315252601	026806	PIEDINO IN GOMMA	FOOT RUBBER	
18	50389LP00	0C7333	GRIGLIA CAMINO L. 400 mm	CHIMNEY GRIDS 400 mm	GAS
18	50389LQ00	0C7569	GRIGLIA CAMINO L. 200 mm	CHIMNEY GRIDS 200 mm	GAS
19	51489BC00	0CB136	BOCCOLA COPERCHIO	LID BUSH	
20	083089DW04	0TTMUN	ASSIEME STRUTTURA ANTERIORE	FRONT FRAME ASSEMBLY	IRON - 60-80 LT
20	083089QD00	0CB852	ASSIEME STRUTTURA ANTERIORE	FRONT FRAME ASSEMBLY	AISI 304 - 60-80 LT
20	083089DU04	0TTIWK	ASSIEME STRUTTURA ANTERIORE	FRONT FRAME ASSEMBLY	IRON - 100 LT
20	083089QC00	0CB851	ASSIEME STRUTTURA ANTERIORE	FRONT FRAME ASSEMBLY	AISI 304 - 100 LT
21	083089DY06	0TTMUO	ASSIEME STRUTTURA POSTERIORE	REAR FRAME ASSEMBLY	IRON - 60-80 LT
21	083089QG00	0CB854	ASSIEME STRUTTURA POSTERIORE	REAR FRAME ASSEMBLY	AISI 304 - 60-80 LT
21	083089DX06	0TTZA8	ASSIEME STRUTTURA POSTERIORE	REAR FRAME ASSEMBLY	IRON - 100 LT
21	083089QF00	0CB853	ASSIEME STRUTTURA POSTERIORE	REAR FRAME ASSEMBLY	AISI 304 - 100 LT

BRASIERA 80/100L E900 XP
BRATT PAN 80/100L E900 XP

Pos	Factory Code	Spare Code	Descrizione	Description	Ref./Notes
22	050489HP02	0TTIWL	TRAVERSA LATERALE	SIDE CROSSPIECE	IRON - ORDER 2 PCS
22	05048A0G00	0CC038	TRAVERSA LATERALE	SIDE CROSSPIECE	AISI 304 - ORDER 2 PCS
50	85589CC01	0C7406	ASSIEME LEVA SOLLEVAMENTO	LEVEL, TILTING	
51	516864901	0C4332	SUPPORTO CUSCINETTO	BEARING SUPPORT	
52	835834700	056820	CUSCINETTO RADIALE	RADIAL BEARING	
53	85589CD00	0C7399	ASSIEME PUNTONE	STRUT	
54	51489B902	0C7891	VITE	SCREW	
55	516865301	0C0675	MADREVITE	DIE	
56	51489BA00	0C8518	PULEGGIA	PULLEY	
57	835834600	056821	CUSCINETTO ASSIALE	AXIAL BEARING	
58	51489BF01	0C7895	ANELLO ARRESTO VITE	SCREW RING	
59	51489BP00	0C7798	SUPPORTO VITE	SCREW SUPPORT	
60	214126800	051365	PERNO	PIN	
61	51489B600	0C7407	PERNO	PIN	
62	51489B701	0C7408	BOCCOLA PER PUNTONE	BUSH	
63	611809A00	0C7401	MOTORIDUTTORE	MOTOREDUCER	AUTOMATIC
64	51489BB00	0C8352	ASTA MICRO COPERCHIO	SHAFT FOR COVER MICRO	
65	516865201	0C0666	MOLLA PER COPERCHIO	PRING LID	
66	51489BD00	0C8519	PULEGGIA MOTORE	PULLEY, MOTOREDUCER	AUTOMATIC
67	547800100	002148	CINGHIA	BELT, MOTOR	AUTOMATIC
68	50689BJ01	0C8521	SUPPORTO MOTORE	SUPPORT, MOTOR	AUTOMATIC
69	50689BK01	0C8520	FISSAGGIO MOTORE	FIXING, MOTOR	AUTOMATIC
70	835829000	0A5164	VOLANTINO	CRANK	MANUAL (and auto-matic accessory)
71	A05144900	0A2551	OCCHIELLO	SCREW, SPRING	
72	51489DQ01	0C9993	GETTO EROGATORE	TAP, WATER	
73	544819400	0C5829	TUBO EPDM	EPDM PIPING	
74	516871100	0C1438	PROLUNGA VOLANTINO	EXTENSION CRANK	AUTO; b,d,f,h,m,o,q,s,u,b1, d1,f1,h1,j1,o1,q1,s1, u1,b2,d2,f2,h2,j2, m2,o2,q2,s2,v2
75	51489BG01	0C7563	PROLUNGA VOLANTINO	EXTENSION CRANK	MANUAL; a,c,e,g,j, k,l,n,p,r,t,v,a1,c1, e1,g1,k1,n1,p1,r1,t1, a2,c2,e2,g2,l2,n2, p2,r2,t2,w2
76	0A05214500	0C2170	SPINA ELASTICA 4x36	ELASTIC SPINE 4x36	
77	0219702241	0C4354	SPINA ELASTICA 4x24	ELASTIC SPINE 4x24	
100	617839A01	0C7411	RESISTENZA 8,5 kW	HEATING ELEMENT 8,5KW	100L – EL
100	617839B00	0C8351	RESISTENZA 6,5 kW	HEATING ELEMENT 6,5KW	80L – EL
100	61783A800	0CA610	RESISTENZA 6,5 kW	HEATING ELEMENT 6,5KW	u2 from 6031 - w2
100	61783B800	0CBAYC	RESISTENZA 8,5 kW	HEATING ELEMENT 8,5KW	100L – EL 440V - k
100	61783B901		RESISTENZA 8,5 kW	HEATING ELEMENT 8,5KW	100L - 230V - j1,j2, y2
100	61783A900		RESISTENZA 6,5 kW	HEATING ELEMENT 6,5KW	t,u - 230V
101	831857800	0C7421	TERMOCOPPIA	THERMOCOUPLE	Tech. Bull. PDX2014-06
102	50489JB02	0C9876	SUPPORTO RESISTENZA	HEATING ELEMENT SUPPORT	EL

BRASIERA 80/100L E900 XP
BRATT PAN 80/100L E900 XP

Pos	Factory Code	Spare Code	Descrizione	Description	Ref./Notes
103	50689BH01	0CA106	PIASTRINA FISSAGGIO SONDA LIMITATORE	FIXING PLATE SAFETY THERM. PROBE	
104	640800800	053671	MICROINTERRUTTORE	MICROSWITCH	
105	246214023	045404	PIASTRINA ISOLANTE	INSULATION PLATELET	AUTOMATIC
106	641805201	0C7415	INTERRUTTORE+POTENZIOMETRO	SWITCH + POTENTIOMETER	Up to 4391 TB PDX2014-05
106	641805900	0C9939	INTERRUTTORE+POTENZIOMETRO	SWITCH + POTENTIOMETER	From 4401 TB PDX2014-05
107	648807400	006879	CONTATTORE K3 18A	CONTACTOR	EL
107	648807700	007080	CONTATTORE K3 18A	CONTACTOR	t,j1,j2,y2
107	648809200	0C5051	CONTATTORE K3-32A00 180	CONTACTOR	u
108	675860002	0C7416	SCHEDA CONTROLLO TERMOCOPPIE	THERMOCOUPLE BOARD	Up to 4391 TB PDX2014-05
108	675860004	0C9995	SCHEDA CONTROLLO TERMOCOPPIE	THERMOCOUPLE BOARD	From 4401 TB PDX2014-05
109	639806600	006854	MORSETTIERA	TERMINAL BOARD	EL
109	639813400	0C7562	MORSETTIERA	TERMINAL BOARD	GAS
109	639813P00		MORSETTIERA	TERMINAL BOARD	v
110	544802200	0C2328	PRESSACAVO	FAIRLEAD	GAS
110	544802400	0C3528	PRESSACAVO	FAIRLEAD	EL
111	675830800	006147	RADDRIZZATORE	RECTIFIER	AUTOMATIC
112	696807401	0C4984	ELETTRIVALVOLA ACQUA	WATER VALVE	
112a		0C8327	TUBO CARICO ACQUA	WATER FLEXI PIPE	2100MM WRAS & VDE / 10bar 3/4 F-F
113	624805601	006159	TRASFORMATORE	TRASFORMER	AUTOMATIC
113	624811A00	0CA580	TRASFORMATORE	TRASFORMER	j,k,v,k1,u2,v2,w2,x2
114	652800401	056582	PORTAFUSIBILE	FUSE HOLDER	
114	652806800	0CB083	PORTAFUSIBILE	FUSE HOLDER	k1,u2
115	452140500	057783	FUSIBILE 5x20	FUSE	
115	652806700	0CB082	FUSIBILE	FUSE	j,v,k1,u2,v2
115	652802900	*	FUSIBILE	FUSE	w2,x2
116	640804D00	0C7559	PULSANTE	PUSH BOTTON	Until 218 - TB PDX2012-02
116	640804D01	0C8677	PULSANTE	PUSH BOTTON	From 219 / untill 405 - TB PDX2012-02
116	640804M00	0C8677	PULSANTE	PUSH BOTTON	From 406
117	655800100	0C2587	LENTE VERDE	GREEN LENS	SEE NOTE ART 120
117	655800200	0C2182	LENTE ARANCIO	ORANGE LENS	SEE NOTE ART 120
117	655800300	0C2586	LENTE ARANCIO	ORANGE LENS	SEE NOTE ART 120
118	543826400	0C2183	OR	OR	
119	527815500	0C2184	PIASTRINA FISSAGGIO	FIXING FLANGE	
120	660806900	0C2585	LAMPADINA VERDE	GREEN LAMP	
120	660805600	0C0249	LAMPADINA ARANCIO/ROSSA	ORANGE7RED LAMP	
120a	876800002	005010	ASSIEME LAMPADA VERDE	COMPLETE LAMP, GREEN	
120a	876800102	005011	ASSIEME LAMPADA ARANCIO	COMPLETE LAMP, ORANGE	
120a	876800201	0C0687	ASSIEME LAMPADA ROSSA	COMPLETE LAMP, RED	
121	50489JH01	0CBAB9	PROTEZIONE COMP. EL.	ELECTRICAL CASE PROTECTION	
122	646810102	005931	LIMITATORE	SAFETY THERMOSTAT	GAS APPLIANCES
122	646814700	0KL023	LIMITATORE CLICSON	SAFETY THERMOSTAT CLICSON	ELECTRIC APPLI- ANCES
123	218912211	069567	MOLLETTA PER GHIERA	RING, RING KNOB	

BRASIERA 80/100L E900 XP
BRATT PAN 80/100L E900 XP

Pos	Factory Code	Spare Code	Descrizione	Description	Ref./Notes
124	511850G01	0C6670	MANOPOLA	KNOB	EPR
124	548878201	0C7232	MANOPOLA	KNOB	ZAN
124	548865500	0A5621	MANOPOLA	KNOB	OEM
125	548877V00	0C7345	ADATTATORE MANOPOLA	KNOB ADAPTER	EPR
126	543821000	053816	GUARNIZIONE MANOPOLA	KNOB GASKET	
127	54887A601	0C8194	GHIERA	RING, KNOB	EPR
127	54887A900	0C8195	GHIERA	RING, KNOB	ZAN
128	541813800	0C6171	RONDELLA IN SILICONE	SILICONE WASHER	
129	646814700	0KL023	LIMITATORE	SAFETY THERMOSTAT	ELECTRIC
130	50689BH01	*	PIASTRINA FISSAGGIO CLICKSON	CLICKSON BRAKET	
131	50489JT01	*	PROTEZIONE CAVI	WIRING PROTECTION	EL
132	507899P00	*	COPERCHIO PROTEZIONE CAVI	COVER WIRING PROTECTION	EL
133	569807M00	0C8674	TUBETTO IN STEATITE	CERAMIC TUBE	Up to 4391 TB PDX2014-06
133	569807S00	0C9994	TUBETTO IN STEATITE	CERAMIC TUBE	From 4401 TB PDX2014-06
134	0149800100	0C9989	PASTA CONDUTTRICE	CONDUCTIVE PASTE	Tech. Bull. PDX2014-06
135	694400U00	0CB477	FILTRO ANTIDISTURBO	FILTER	GAS DUPLEX
150	83089FP04	0CA195	BRUCIATORE 80LT	BURNER 80LT	a,b,c,d,a1,b1,c1, d1,a2,b2,c2,d2,t2
150	83089F705	0CA196	BRUCIATORE 100LT	BURNER 100LT	e,f,g,h,e1,f1,g1, h1,e2,f2,g2,h2
151	51589AK01	0C7886	CONDUTTURA GAS	PIPING GAS	GAS
152	80589AS01	0C7417	TUBO ENTRATA GAS	INLET PIPING GAS	GAS
153	51589AC00	0C7410	MANICOTTO	COUPLING	GAS UP TO 46/2011
154	511805801	059375	CONDOTTO GAS	NUT	GAS UP TO 46/2011
155	835876101	0C7409	GIUNTO ROTANTE	ROTATING CONNECTION	GAS
156	511805401	059250	PORTAUGELLO	NOZZLE HOLDER	GAS UP TO 46/2011
157	517808200	002341	BOCCOLA REGOLAZIONE ARIA	BUSHING FOR AIR REGULATION	GAS 80 LT
157	215086000	051774	BOCCOLA REGOLAZIONE ARIA	BUSHING FOR AIR REGULATION	GAS 100 LT
158	83089FM00	0C7600	VALVOLA GAS	GAS VALVE	GAS
159	624811700	0C8189	CENTRALINA CONTROLLO FIAMMA	GAS VALVE BOARD	GAS
160	50489JD03	0C8723	SCATOLA TERMOCOPPIA	BOX FOR THERMOCOUPLE	GAS
161	83089F501	0C7419	CANDELINA ACCENSIONE	IGNITION ROD	GAS
162	83089F401	0C7418	CANDELINA RILEVAZIONE	CHECK FLAME ROD	GAS
163	624804700	004240	ACCENDITORE	IGNITION BOARD	GAS
164	275290025	057400	VETRINO	SLIDE	GAS
165	206260400	057382	CORNICE PER VETRINO	FRAME FOR SLIDE	GAS
166	214105101	020997	CONTRODADO	NUT	GAS
167	543844L00	0C7561	GUARNIZIONE ACQUA	WATER GASKET	GAS
168	50589D702	0CB846	PROTEZIONE INTERNA	INTERNAL PROTECTION	GAS
169	50589D600	*	PROTEZIONE ESTERNA	EXTERNAL PROTECTION	GAS
170	50489L001	*	PROTEZIONE ENTRATA CAVI	INLET WIRING PROTECTION	GAS
171	516847000	0C1058	DADO	NUT	GAS
172	515801715	052671	OGIVA	OGIVA	GAS
173	*	*	CABLAGGIO ELETTRICO	WIRING HARNESS	Request with pnc code
174	*	OTTK93	CABLAGGIO DA SCHEDA/POTENZIOMETRO	CABLE FROM POTENZIOMETER TO THERMOCOUPLE BOARD	PDX 2014-05
175	51589AQ00	0C8359	CONDUTTURA VALVOLA	GAS PIPE VALVE	FROM WK47 2011
176	51589AR00	0C8360	CONDUTTURA BRUCIATORE	GAS PIPE , BURNER	FROM WK47 2011

BRASIERA 80/100L E900 XP
BRATT PAN 80/100L E900 XP

Pos	Factory Code	Spare Code	Descrizione	Description	Ref./Notes
177	80589BB01	0C8354	TUBO FLESSIBILE	FLEXIBLE GAS PIPE	FROM WK47 2011
178	214108111	041155	DADO	NUT	FROM WK47 2011
179	215073101	060325	OGIVA BICONO	NOSE CONE	FROM WK47 2011
180	51489C000	0C8355	ADATTATORE PER UGELLO	NOZZEL ADAPTOR	FROM WK47 2011
181	50589F900	0C9066	PROTEZIONE TERMOCOPPIA	THERMOCOUPLE PROTECTION	UP TO 439 PDX 2014-06
181	50589HJ00	0C9996	PROTEZIONE TERMOCOPPIA	THERMOCOUPLE PROTECTION	FROM 440 PDX 2014-06
182	50489ND01	0CB842	CAMERA DI COMBUSTIONE	COMBUSTION CHAMBER	80 LT GAS
182	50489NC01	0CB247	CAMERA DI COMBUSTIONE	COMBUSTION CHAMBER	100 LT GAS
183	050589F102	0TTMOM	CONVOGLIATORE ARIA	AIR CONVEYOR	GAS
184	050589D000	0CC000	PARETE POST. CAMERA COMBUS- TIONE	COMBUSTION CHAMBER BACK SIDE	80LT
184	050589C400	0CB969	PARETE POST. CAMERA COMBUS- TIONE	COMBUSTION CHAMBER BACK SIDE	100LT
185	050589Q800		TRAVERSA CAMERA DI COMBUS- TIONE	COMBUSTION CHAMBER CROSS- BEAM	80LT
186	0514862501	051950	RACCORDO 3/8 PER VALVOLA	FITTING 3/8 FOR VALVE	FROM WK47 2011
187	0215170716	050682	OGIVA DA 12	OGIVE	FROM WK47 2011
*	080589FC00	0CB801	KIT WATERMARK	WATERMARK KIT	