

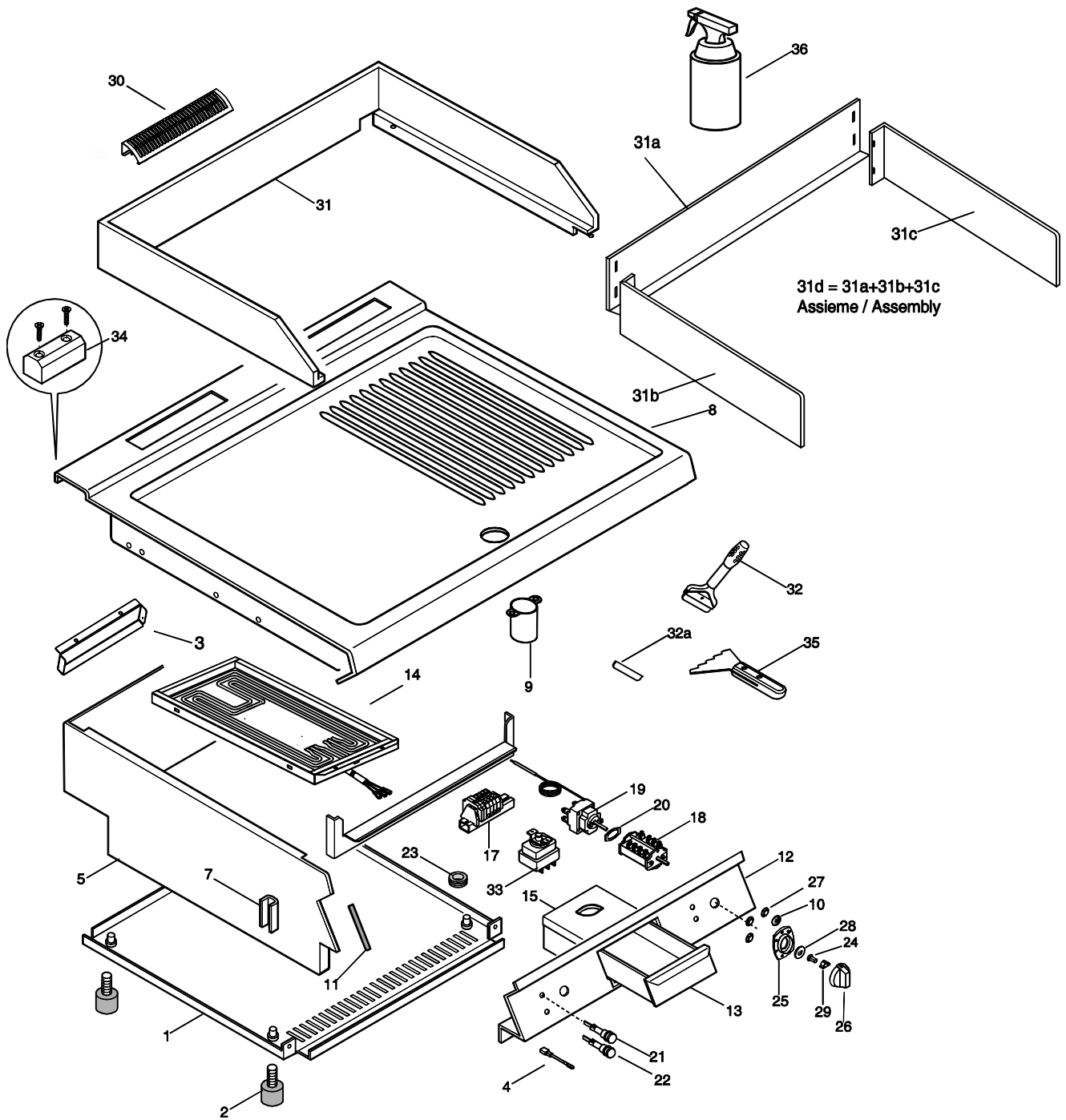
PNC	Model	Brand	Description	Ref	Ref
190024	E7FTEDSRIO	ELX	EL. FRY TOP-RIBBED PLATE 400 MM	230V	t1
190033	E7FTEDSSIN	ELX	EL. FRY TOP-RIBBED PLATE 400 MM-230V	230V	u1
371184	E7FTEDSSIO	ELX	EL. FRY TOP-SMOOTH PLATE 400 MM	400V	a
371185	E7FTEDSRIO	ELX	EL. FRY TOP-RIBBED PLATE 400 MM	400V	b
371186	E7FTEHSSIO	ELX	EL. FRY TOP-SMOOTH PLATE 800 MM	400V	c
371187	E7FTEHSPI0	ELX	EL. FRY TOP-SMOOTH+RIBBED PLATE 800 MM	400V	d
371192	E7FTEDHSIO	ELX	EL. FRY TOP SMOOTH HORIZONTAL PL. 400MM	400V	e
371193	E7FTEDCSIO	ELX	EL. FRY TOP-SMOOTH CHROME PLATE 400 MM	400V	f
371194	E7FTEHCSIO	ELX	EL. FRY TOP-SMOOTH CHROME PLATE 800 MM	400V	g
371197	E7FTEHCPI0	ELX	EL. FRY TOP-SMOOTH+RIBB.CHR.PLATE 800MM	400V	h
371198	E7FTEDSSIN	ELX	EL. FRY TOP-SMOOTH PLATE 400 MM	230V	i
371199	E7FTEHSSIN	ELX	EL. FRY TOP-SMOOTH PLATE 800 MM	230V	j
371200	E7FTEHSPIN	ELX	EL. FRY TOP-SMOOTH+RIBBED PL.800 MM	230V	k
371201	E7FTEHCPIN	ELX	EL. FRY TOP-SMOOTH+RIBB.CHR.PL.800MM	230V	l
371202	E7FTMDSSI5	ELX	EL. FRY TOP-SMOOTH PLATE 400 MM-MAR	400V	m
371203	E7FTMDSSI6	ELX	EL. FRY TOP-SMOOTH PLATE 400 MM-MAR	440V	n
371204	E7FTMDSRIS	ELX	EL. FRY TOP-RIBBED PLATE 400 MM-MAR	400V	o
371205	E7FTMDSRIS	ELX	EL. FRY TOP-RIBBED PLATE 400 MM-MAR	440V	p
371206	E7FTMHSSI5	ELX	EL. FRY TOP-SMOOTH PLATE 800 MM-MAR	400V	q
371207	E7FTMHSSI6	ELX	EL. FRY TOP-SMOOTH PLATE 800 MM-MAR	440V	r
371208	E7FTMHSPIS	ELX	EL.FRYTOP-SMOOTH+RIBBED PL.800MM-MAR	400V	s
371209	E7FTMHSPIS	ELX	EL.FRYTOP-SMOOTH+RIBBED PL.800MM-MAR	440V	t
371262	E7FTEHSRIO	ELX	EL. FRYTOP SMOOTH WITH RIBBED PLATE	440V	s1
372184	Z7FTEDSSIO	ZAN	EL. FRY TOP-SMOOTH PLATE 400 MM	400V	u
372185	Z7FTEDSRIO	ZAN	EL. FRY TOP-RIBBED PLATE 400 MM	400V	v
372186	Z7FTEHSSIO	ZAN	EL. FRY TOP-SMOOTH PLATE 800 MM	400V	w
372187	Z7FTEHSPI0	ZAN	EL. FRY TOP-SMOOTH+RIBBED PLATE 800 MM	400V	x
372192	Z7FTEDHSIO	ZAN	EL. FRY TOP SMOOTH HORIZONTAL PL. 400MM	400V	y
372193	Z7FTEDCSIO	ZAN	EL. FRY TOP-SMOOTH CHROME PLATE 400 MM	400V	z
372194	Z7FTEHCSIO	ZAN	EL. FRY TOP-SMOOTH CHROME PLATE 800 MM	400V	a1
372197	Z7FTEHCPI0	ZAN	EL. FRY TOP-SMOOTH+RIBB.CHR.PLATE 800MM	400V	b1
372198	Z7FTEDSSIN	ZAN	EL. FRY TOP-SMOOTH PLATE 400 MM	230V	c1
372199	Z7FTEHSSIN	ZAN	EL. FRY TOP-SMOOTH PLATE 800 MM	230V	d1
372200	Z7FTEHSPIN	ZAN	EL. FRY TOP-SMOOTH+RIBBED PL.800 MM	230V	e1
372201	Z7FTEHCPIN	ZAN	EL. FRY TOP-SMOOTH+RIBB.CHR.PL.800MM	230V	f1
373184	A7FTEDSSIO	OEM	EL. FRY TOP-SMOOTH PLATE 400 MM	400V	g1
373185	A7FTEDSRIO	OEM	EL. FRY TOP-RIBBED PLATE 400 MM	400V	h1
373186	A7FTEHSSIO	OEM	EL. FRY TOP-SMOOTH PLATE 800 MM	400V	i1
373187	A7FTEHSPI0	OEM	EL. FRY TOP-SMOOTH+RIBBED PLATE 800 MM	400V	j1
373192	A7FTEDHSIO	OEM	EL. FRY TOP SMOOTH HORIZONTAL PL. 400MM	400V	k1
373193	A7FTEDCSIO	OEM	EL. FRY TOP-SMOOTH CHROME PLATE 400 MM	400V	l1
373194	A7FTEHCSIO	OEM	EL. FRY TOP-SMOOTH CHROME PLATE 800 MM	400V	m1
373197	A7FTEHCPI0	OEM	EL. FRY TOP-SMOOTH+RIBB.CHR.PLATE 800MM	400V	n1

PNC	Model	Brand	Description	Ref	Ref
373198	A7FTEDSSIN	OEM	EL. FRY TOP-SMOOTH PLATE 400 MM	230V	o1
373199	A7FTEHSSIN	OEM	EL. FRY TOP-SMOOTH PLATE 800 MM	230V	p1
373200	A7FTEHSPIN	OEM	EL. FRY TOP-SMOOTH+RIBBED PL.800 MM	230V	q1
373201	A7FTEHCPIN	OEM	EL. FRY TOP-SMOOTH+RIBB.CHR.PL.800MM	230V	r1

INDEX

Pagina / Page 3 Vista generale / Main view

Pagina/Page 4/5 Lista ricambi / Spare parts list



Pos	Factory Code	Spare Part Code	Description	Description	Note
1	5038A1U00	*	FONDO 400 mm	BOTTOM PANEL 400mm	
1	5038A1V00	*	FONDO 800 mm	BOTTOM PANEL 800mm	
2	315252601	026806	PIEDINO CON VITE	FOOT WITH SCREW	
3	50489MB00	0C8479	FERMO RESISTENZA	HEATING ELEMENT STOPPER	
4	638865100	005370	RESISTENZA DI CADUTA	DROPPING RESISTOR	
5	85089F701	0C8544	RIVESTIMENTO LATERALE 400mm	EXTERNAL PANEL 400 mm	ELX
5	85089F801	0C7536	RIVESTIMENTO LATERALE 800mm	EXTERNAL PANEL 800 mm	ELX
5	85089FA01	0C7268	RIVESTIMENTO LATERALE 400mm	EXTERNAL PANEL 400 mm	ZAN, OEM
5	85089FB01	0C8464	RIVESTIMENTO LATERALE 800mm	EXTERNAL PANEL 800 mm	ZAN, OEM
7	527850500	0C0156	PIASTRA FISSAGGIO FIANCHI	SIDE PANEL JOINTING PLATE	
8	87589BW01	0C8480	RIPIANO 400mm FE-LISCIO	TOP 400mm IRON-SMOOTH	ELX
8	87589CZ01	0C8602	RIPIANO 400mm FE-RIGATO	TOP 400mm IRON-RIBBED	ELX
8	87589DC01	0C8613	RIPIANO 400mm CR- LISCIO	TOP 400mm CHROME SMOOTH	ELX
8	87589BZ01	0C8600	RIPIANO 800mm FE- LISCIO	TOP 800mm IRON-SMOOTH	ELX
8	87589D601	0C8608	RIPIANO 800mm FE-1/3 RIGATO	TOP 800mm IRON-1/3 RIBBED	ELX
8	87589DD01	0C8614	RIPIANO 800mm CR- LISCIO	TOP 800mm CHROME SMOOTH	ELX
8	87589DF01	0C8615	RIPIANO 800mm CR 1/3 RIGATO	TOP 800mm CHROME 1/3 RIB.	ELX
8	87589F300	*	RIPIANO 800mm FE - RIGATO	TOP 800mm IRON - RIBBED	s1
8	87589BX01	0C8599	RIPIANO 400mm FE- LISCIO	TOP 400mm IRON-SMOOTH	ZAN, OEM
8	87589D101	0C8604	RIPIANO 400mm FE- RIGATO	TOP 400mm IRON-RIBBED	ZAN, OEM
8	87589DG01	0C8616	RIPIANO 400mm CR- LISCIO	TOP 400mm CHROME SMOOTH	ZAN, OEM
8	87589C001	0C8601	RIPIANO 800mm FE- LISCIO	TOP 800mm IRON-SMOOTH	ZAN, OEM
8	87589D701	0C8609	RIPIANO 800mm FE-1/3 RIGATO	TOP 800mm IRON 1/3 RIBBED	ZAN, OEM
8	87589DJ01	0C8618	RIPIANO 800mm CR- LISCIO	TOP 800mm CHROME SMOOTH	ZAN, OEM
8	87589DL01	0C8620	RIPIANO 800mm CR 1/3 RIGATO	TOP 800mm CHROME 1/3 RIB.	ZAN, OEM
9	806860102	0C6237	TUBO DI SCARICO	DRAIN PIPE	
10	541813800	0C6171	RONDELLA SILICONE	SILICONE WASHER	
11	543821900	0C2496	GUARNIZIONE CRUSCOTTO	GASKET, CONTROL PANEL	
12	85589C903	0C7666	CRUSCOTTO 400mm	CONTROL PANEL 400mm	ELX
12	85589C802	0C7665	CRUSCOTTO 800mm	CONTROL PANEL 800mm	ELX
12	87089JT03	0C7674	CRUSCOTTO 400mm	CONTROL PANEL 400mm	ZAN
12	87089K602	0C7683	CRUSCOTTO 800mm	CONTROL PANEL 800mm	ZAN
12	87089HN00	0C7465	CRUSCOTTO 800mm	CONTROL PANEL 800mm	i1, j1, m1, n1
12	87089MW03	*	CRUSCOTTO 400mm	CONTROL PANEL 400mm	OEM
12	87089MX03	*	CRUSCOTTO 800mm	CONTROL PANEL 800mm	p1,q1,r1
13	85089CW00	0C7868	CASSETTO FRYTOP 400mm	DRAWER, FRYTOP 400mm	
13	85089CY00	0C7662	CASSETTO FRYTOP 800mm	DRAWER, FRYTOP 800mm	
14	617839H00	0C8476	RESISTENZA 4200W	HEATING ELEMENT 4200W	400V
14	617839J00	0C8477	RESISTENZA 3900W	HEATING ELEMENT 3900W	230V
14	617839K00	0C8478	RESISTENZA 4200W	HEATING ELEMENT 4200W	440V
15	50489UH00	*	GUIDA CASSETTO	DRAWER RUNNER	400 mm
15	50489UG00	*	GUIDA CASSETTO	DRAWER RUNNER	800 mm
17	A05714000	058613	MORSETTIERA DI ALIMENTAZIONE	MAIN TERMINAL BLOCK	
18	A05400901	0A2134	INTERRUTTORE	SWITCH	
19	646809500	004363	TERMOSTATO FERRO	THERMOSTAT IRON	IRON
19	646817400	0C6234	TERMOSTATO CROMO	THERMOSTAT CROME	CHROME
20	A05414500	0A2205	STAFFA FISSAGGIO	FASTENING PLATE	
21	876800002	005010	LAMPADA VERDE	GREEN LAMP	
22	876800102	005011	LAMPADA ARANCIO	ORANGE LAMP	
23	544802300	0C0068	PRESSACAVO	TIGHTNER, CORD	
24	548877V00	0C7345	ADATTATORE MANOPOLA	KNOB ADAPTER	ELX
25	548877P00	0C7626	GHIERA	KNOB RING	ELX
25	548879Z00	0C7430	GHIERA	KNOB RING	ZAN, OEM

<i>Pos</i>	<i>Factory Code</i>	<i>Spare Part Code</i>	<i>Description</i>	<i>Description</i>	<i>Note</i>
26	511850G01	0C6670	MANOPOLA	KNOB	ELX
26	548878201	0C7232	MANOPOLA	KNOB	ZAN
26	548865500	0A5621	MANOPOLA	KNOB	OEM
27	218912211	069567	MOLLETTA PER GHIERA	SPRING, KNOB RING	
28	543821000	053816	GUARNIZIONE MANOPOLA	GASKET, KNOB	
29	214590701	025245	MOLLETTA PER MANOPOLA	SPRING, KNOB	
30	50389LP00	0C7333	GRIGLIA CAMINO	CHIMNEY GRID	
31	532806904	0C2964	PARASPRUZZI 400mm	SPLASHBACK	400 mm up to ser 524
31	532807104	0C2965	PARASPRUZZI 800mm	SPLASHBACK	800 mm up to ser 524
31a	50089B000	0CA412	PARASPRUZZI POST 400 mm	SPLASHBACK REAR	400 mm from ser 525
31a	50089B100	0CA413	PARASPRUZZI POST 800 mm	SPLASHBACK REAR	800 mm from ser 525
31b	50089B200	0CA414	PARASPRUZZI SX	SPLASHBACK LEFT	From ser 525
31c	50089B300	0CA415	PARASPRUZZI DX	SPLASHBACK RIGHT	From ser 525
31d	85089NA00	0CA420	ASSIEME PARASPRUZZI 400 mm	SPLASHBACK ASSEMBLY	400 mm from ser 525
31d	85089NB00	0CA421	ASSIEME PARASPRUZZI 800 mm	SPLASHBACK ASSEMBLY	800 mm from ser 525
32	805848202	055995	RASCHIETTO PIASTRA LISCIA	SCRAPER FOR SMOOTH TOP	
32a	*	0C2519	LAMA PER RASCHIETTO	SCRAPER BLADE	(10pcs per code)
32a	*	056340	LAMA PER RASCHIETTO (angoli smussati)	SCRAPER BLADE (rounded corners)	(2pcs per code)
33	646817800	0C8686	LIMITATORE TEMPERATURA	SAFETY THERMOSTAT	CHROME
34	516860700	0C0137	PIASTRINA GIUNZIONE	JOINTING REAR PLATE	
35	830851300	056940	SPATOLA PIASTRA RIGATA	SCRAPER FOR RIBBED TOP	
36	*	0S0990	SGRASSANTE	GREASE CUTTER	1pcs = 6 x 0,75lt bottles
36	*	0S0841	SGRASSANTE	GREASE CUTTER	1pcs = 4 x 5lt bottles