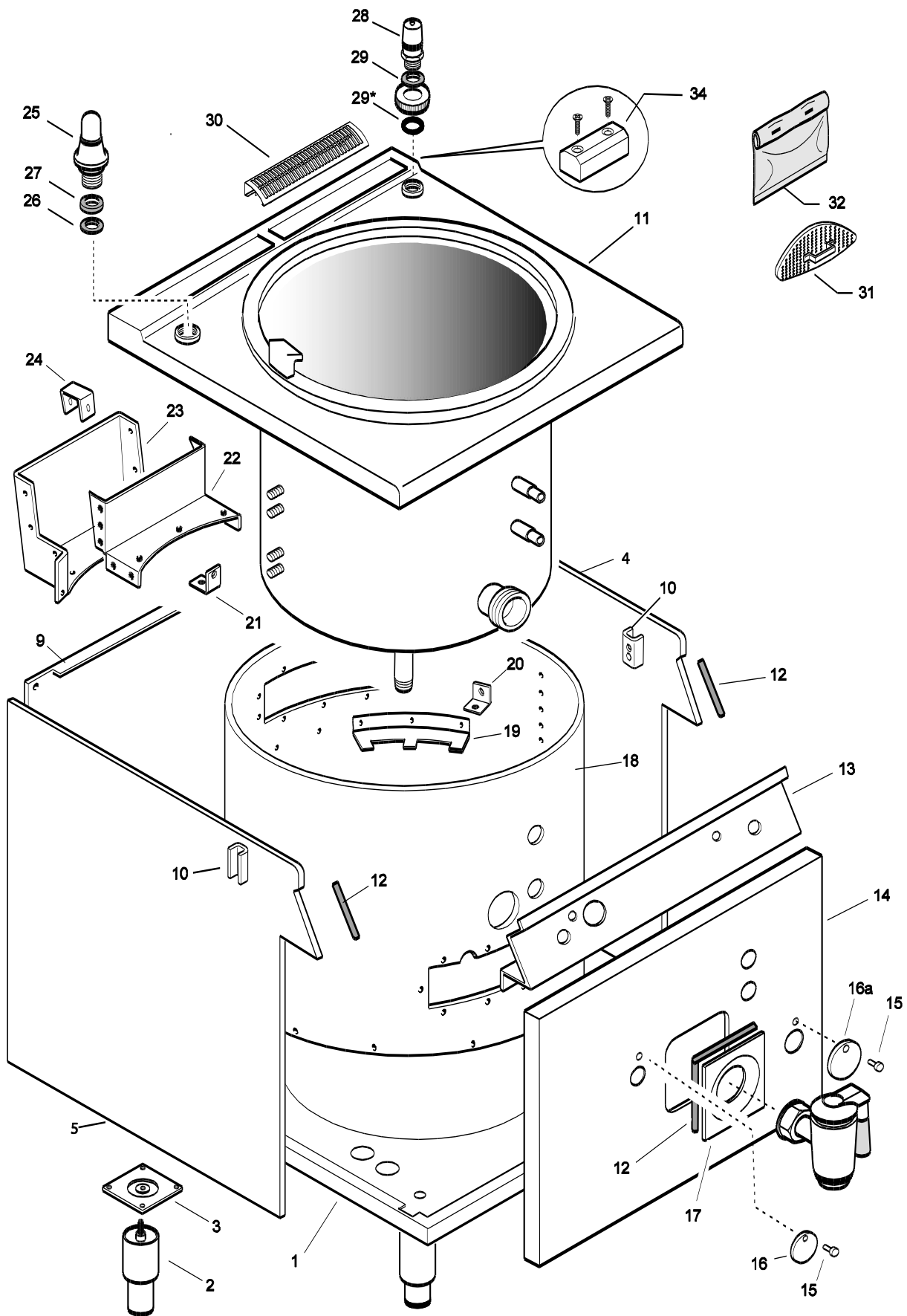
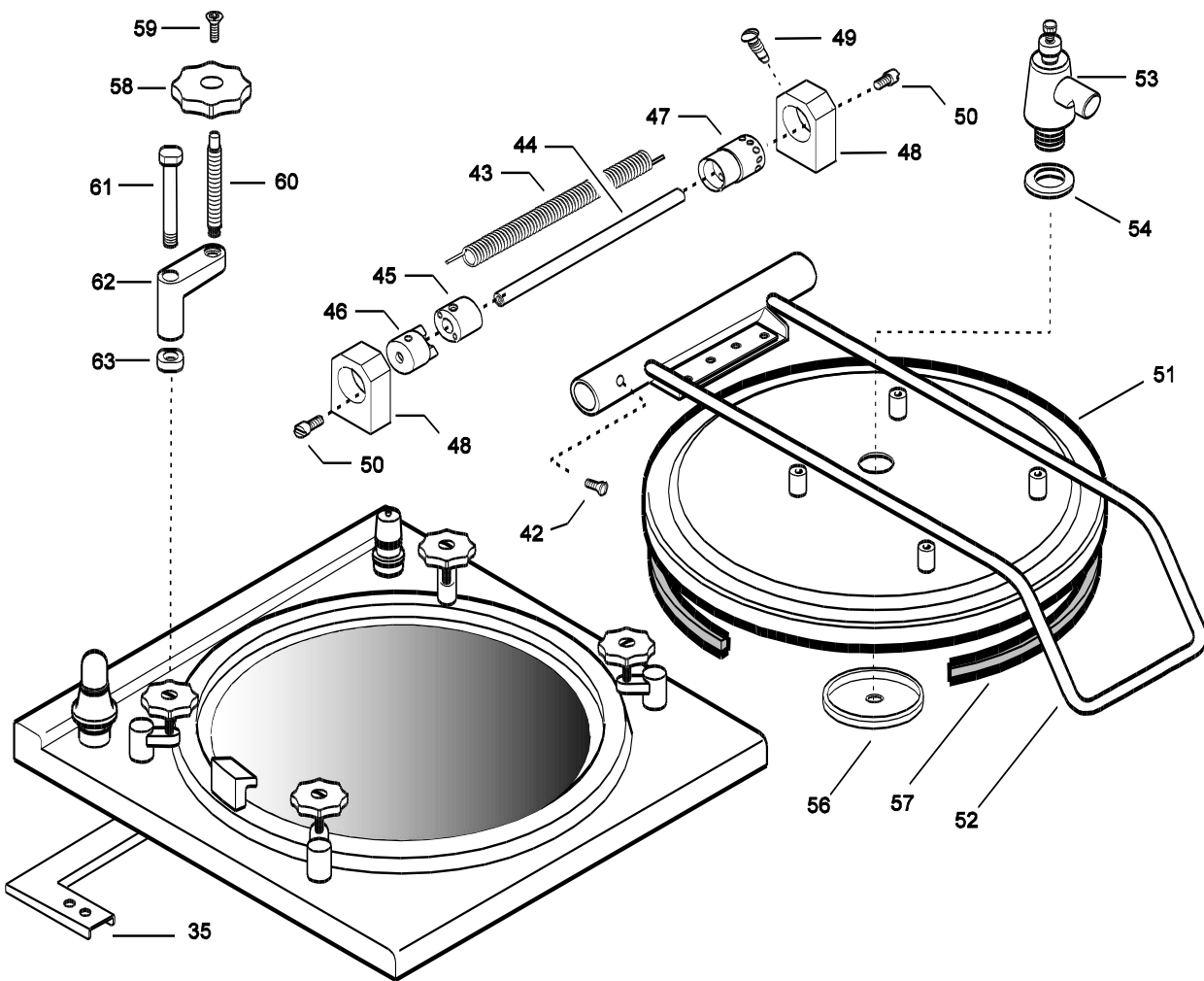
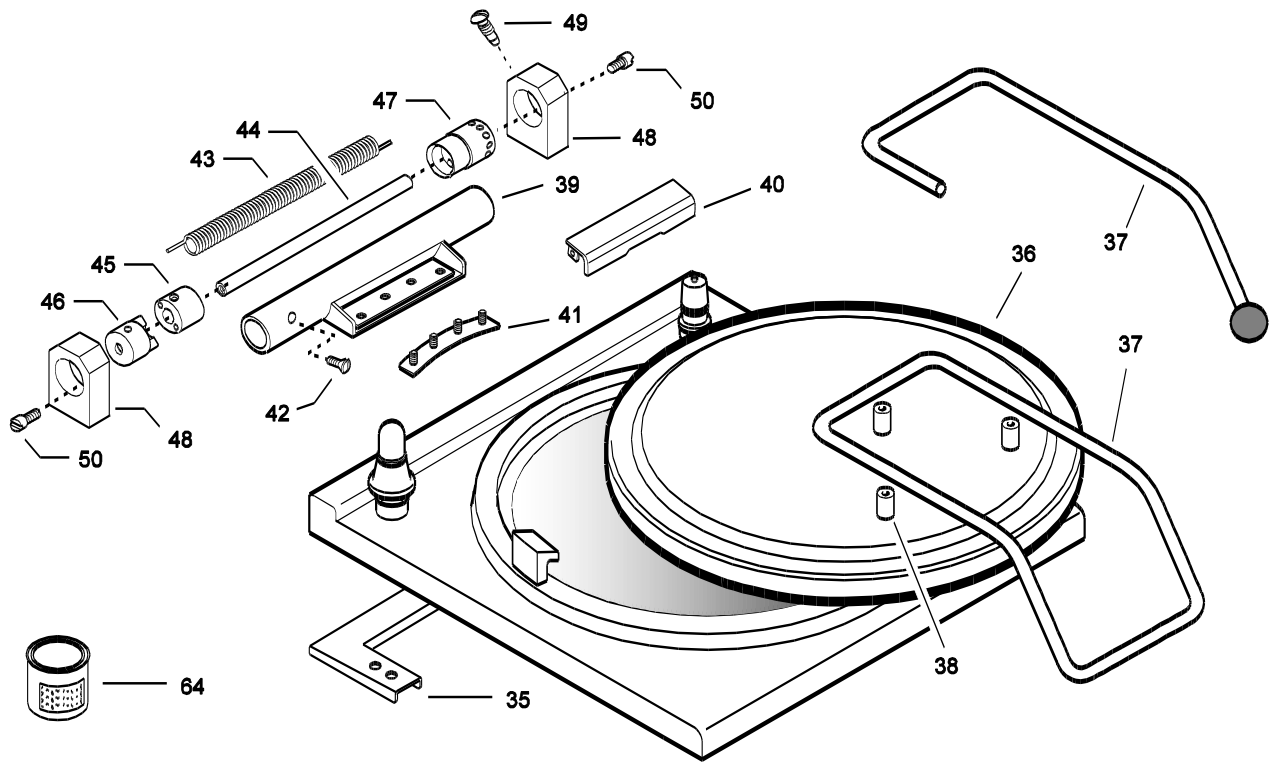


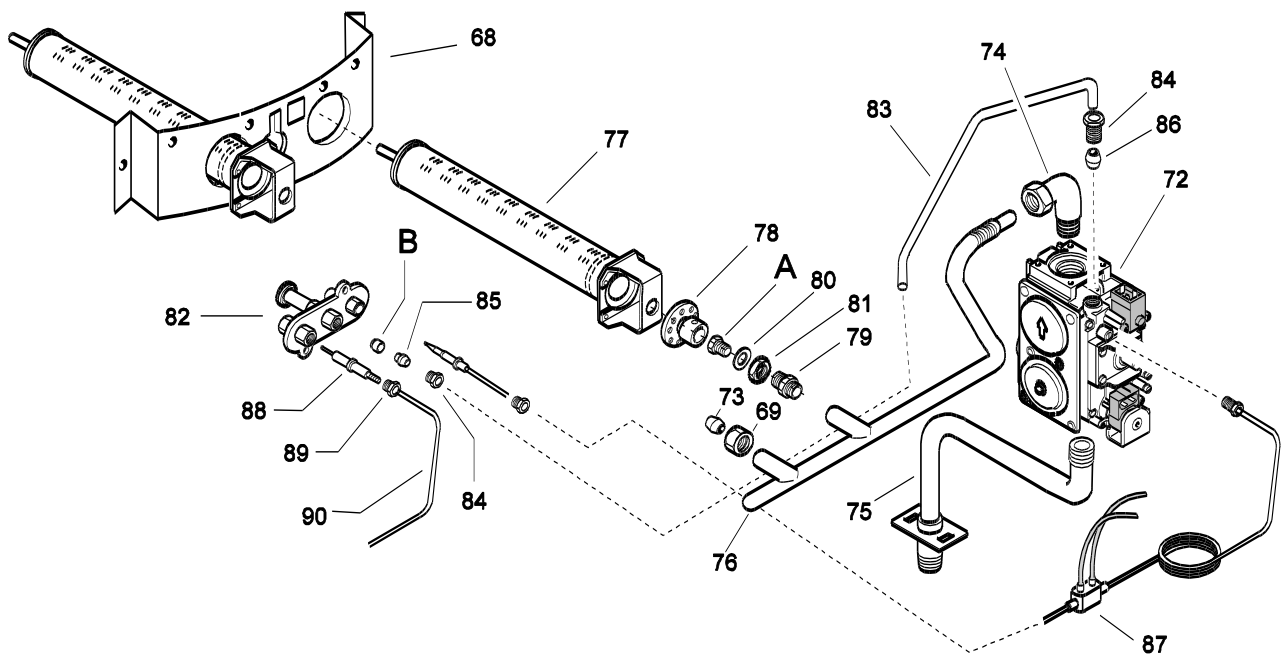
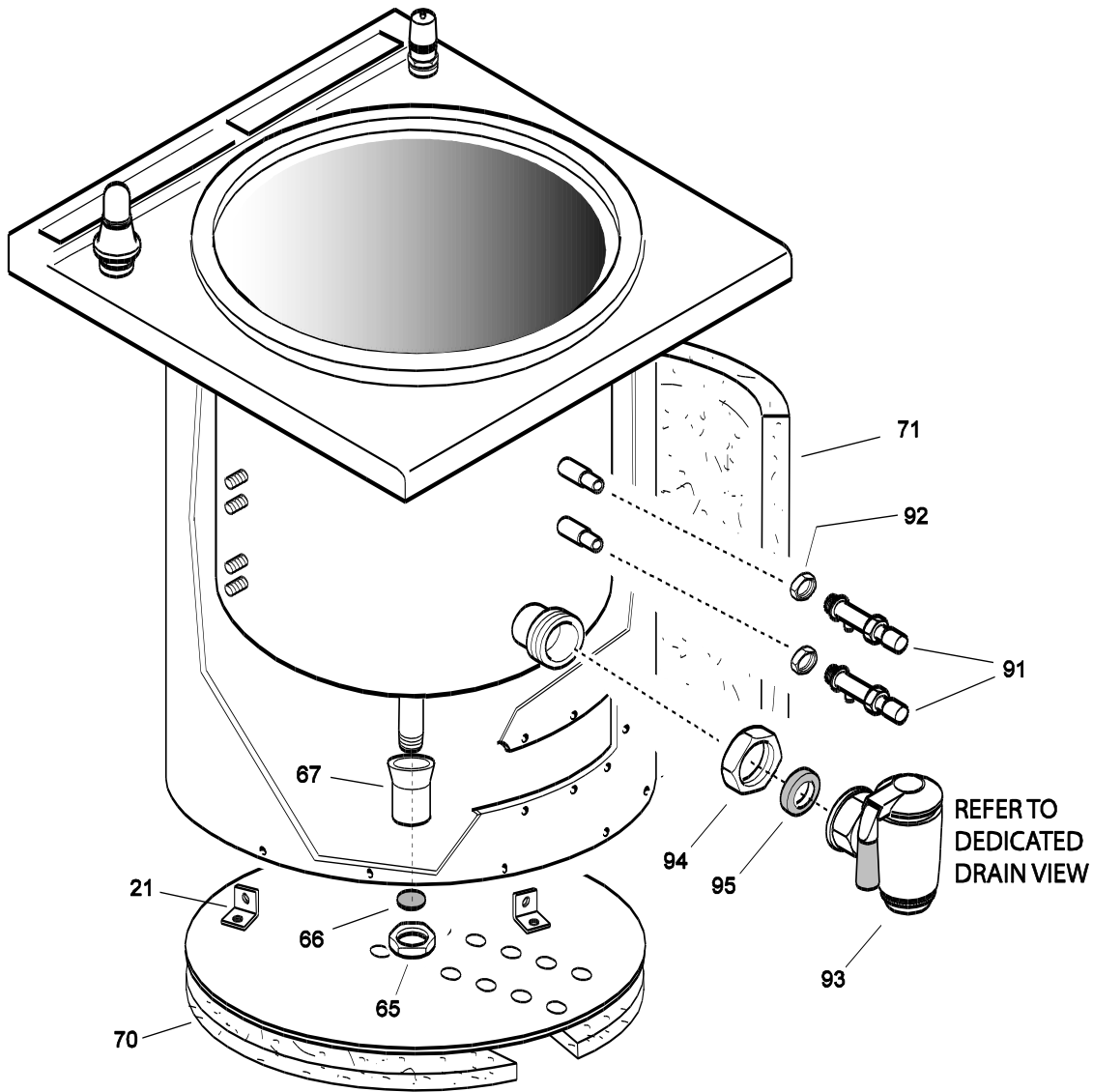
PENTOLE INDIRECTE 100/150Lt E900XP
BOILING PAN INDIRECT HEATING 100/150Lt E900XP

PNC	Model	Ref	Pag.	Brand	Version	Notes
391100	E9BSGHIPF0	a	2..8	ELX	GAS	80/100LT
391101	E9BSGHIPFR	c	2..8	ELX	GAS	80/100LT AUTOMATIC
391102	E9BSGHIRF0	b	2..8	ELX	GAS	100/150LT
391103	E9BSGHIRFR	d	2..8	ELX	GAS	100/150LT AUTOMATIC
391104	E9BSGHIRFC	F	2..8	ELX	GAS	100/150LT AUTOCLAVE
391118	E9BSEHIPF0	e	2..8	ELX	EL	80/100LT
391119	E9BSEHIPFR	f	2..8	ELX	EL	80/100LT AUTOMATIC
391120	E9BSEHIRF0	g	2..8	ELX	EL	100/150LT
391121	E9BSEHIRFR	h	2..8	ELX	EL	100/150LT AUTOMATIC
391122	E9BSEHIRFC	G	2..8	ELX	EL	100/150LT AUTOCLAVE
392100	Z9BSGHIPF0	i	2..8	ZAN	GAS	80/100LT
392101	Z9BSGHIPFR	l	2..8	ZAN	GAS	80/100LT AUTOMATIC
392102	Z9BSGHIRF0	m	2..8	ZAN	GAS	100/150LT
392103	Z9BSGHIRFR	n	2..8	ZAN	GAS	100/150LT AUTOMATIC
392104	Z9BSGHIRFC	o	2..8	ZAN	GAS	100/150LT AUTOCLAVE
392118	Z9BSEHIPF0	p	2..8	ZAN	EL	80/100LT
392119	Z9BSEHIPFR	q	2..8	ZAN	EL	80/100LT AUTOMATIC
392120	Z9BSEHIRF0	r	2..8	ZAN	EL	100/150LT
392121	Z9BSEHIRFR	s	2..8	ZAN	EL	100/150LT AUTOMATIC
392122	Z9BSEHIRFC	t	2..8	ZAN	EL	100/150LT AUTOCLAVE
393100	A9BSGHIPF0	u	2..8	OEM	GAS	80/100LT
393101	A9BSGHIPFR	v	2..8	OEM	GAS	80/100LT AUTOMATIC.
393102	A9BSGHIRF0	z	2..8	OEM	GAS	100/150LT
393103	A9BSGHIRFR	A	2..8	OEM	GAS	100/150LT AUTOMATIC
393118	A9BSEHIPF0	B	2..8	OEM	EL	80/100LT
393119	A9BSEHIPFR	C	2..8	OEM	EL	80/100LT AUTOMATIC
393120	A9BSEHIRF0	D	2..8	OEM	EL	100/150LT
393121	A9BSEHIRFR	E	2..8	OEM	EL	100/150LT AUTOMATIC

Pag	Index	Indice	Note
2	General components	Componenti struttura	
3	Cover components	Componenti coperchio	
4	Gas components	Componenti Gas	
5	Pilot / Burner Nozzle	Tablelle ugelli	
6	Electric components	Componenti elettrici	
7	Automatic Components	Componenti carico auto	
8	Electric Components	Componenti Elewttrici	
9	Drain valve	Valvola di scarico	
10...13	Spare parts list	Lista ricambi	



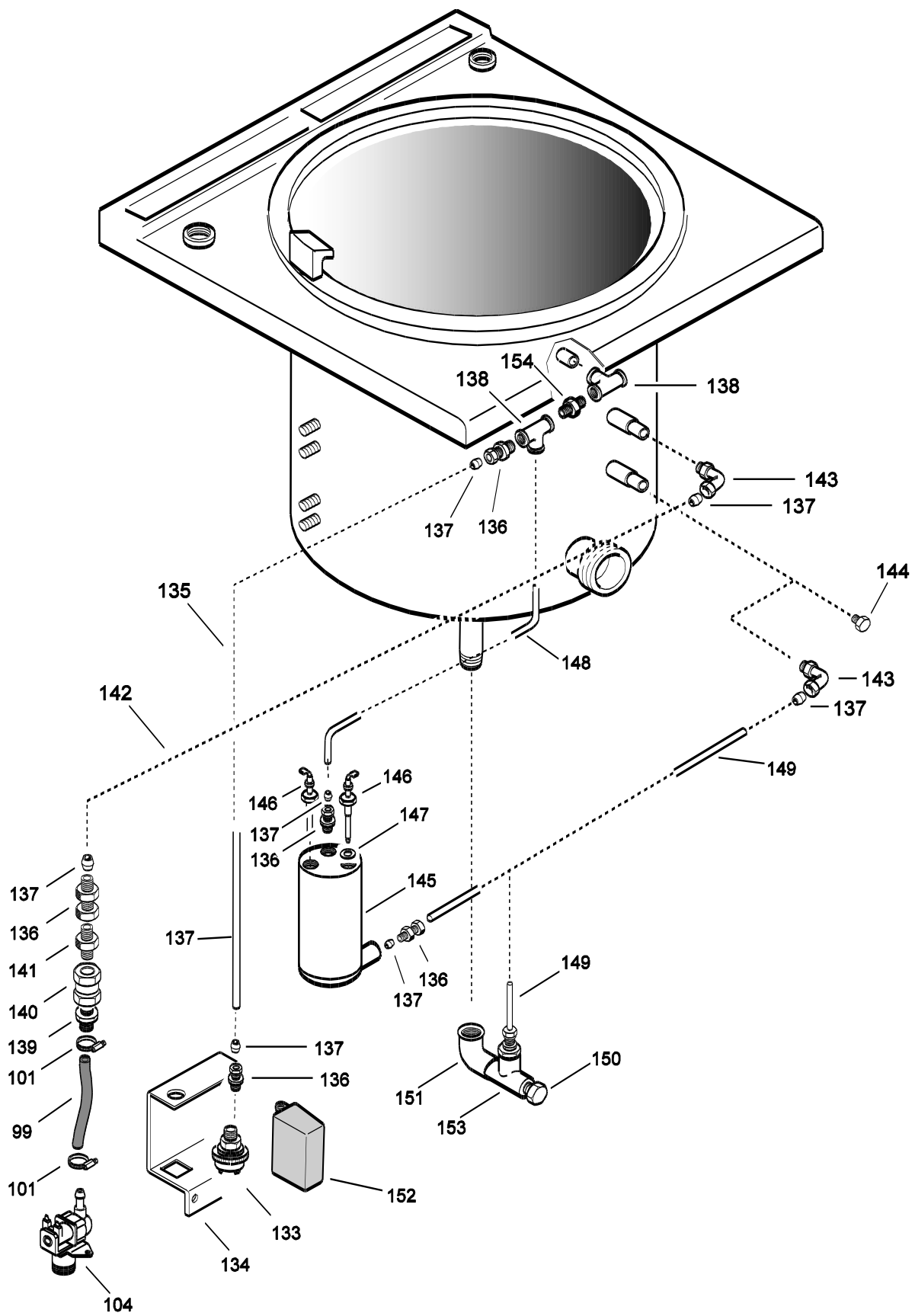


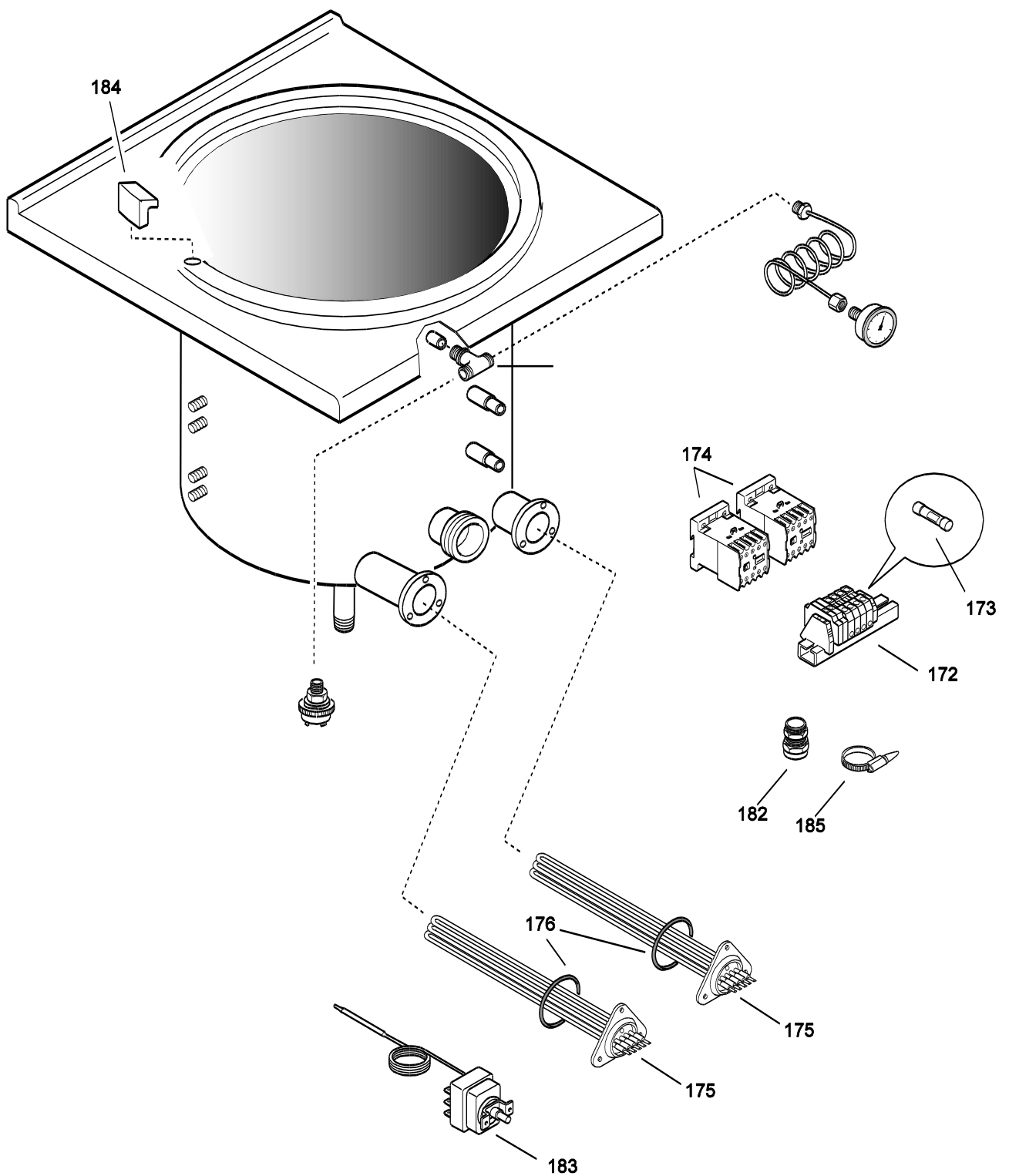


A - Ugello bruciatore / Burner nozzle 100LT			
Spare Part Code	Ref. / Notes		
056470	∅ 1.45	3B/P	G30 50 mbar
054127	∅ 1.65	3B/P	G30 36 mbar
004727	∅ 2.35	2H	G20 25 mbar
002268	∅ 2.6	2L	G25 25mbar
0C0747	∅ 2.7	2ELL	G25 20 mbar
002268	∅ 2.6	2S	G25.1 25 mbar
054034	∅ 3	No CE	G20 10 mbar
056563	∅ 5	No CE	G110 8 mbar

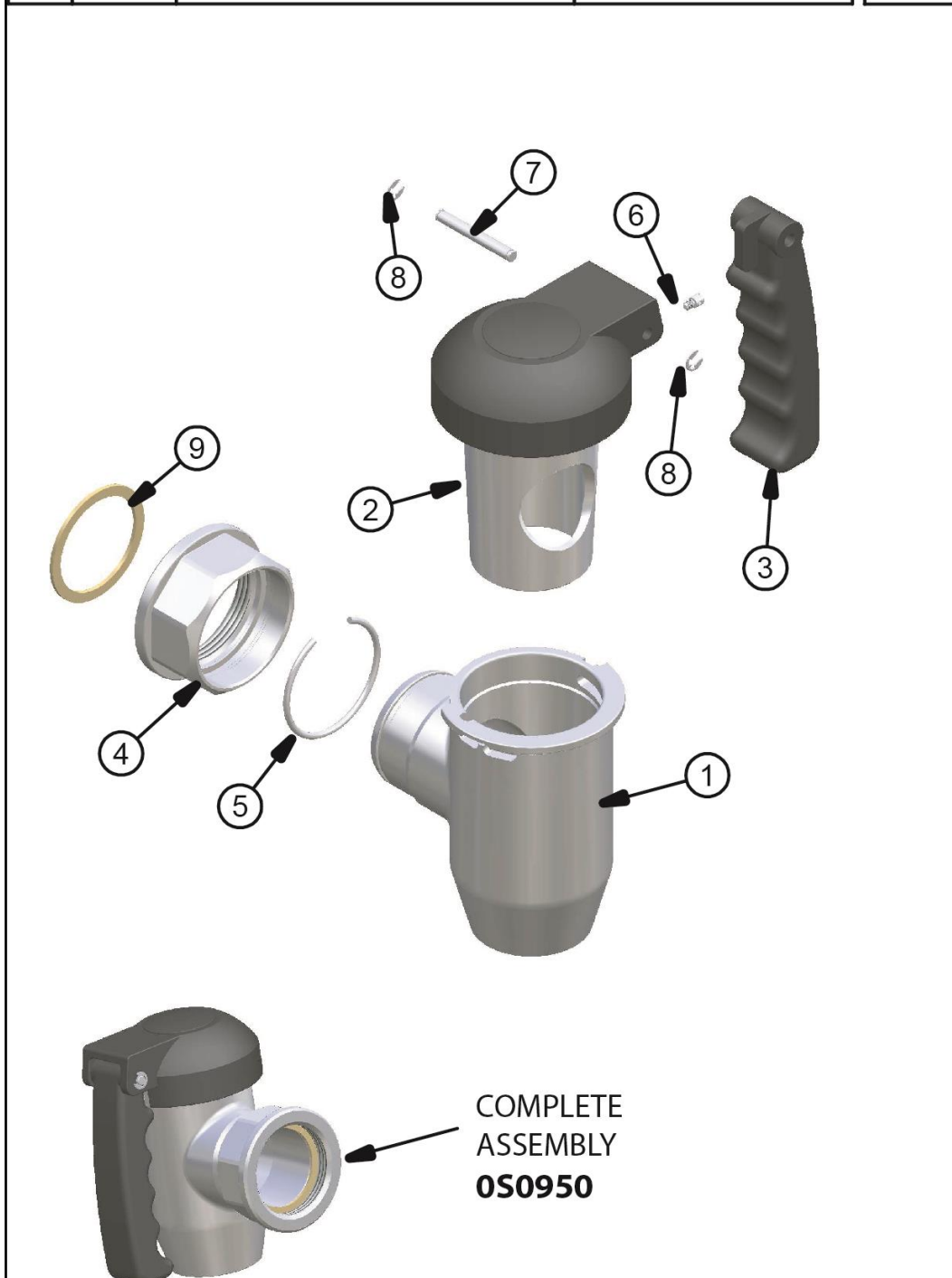
A - Ugello bruciatore / Burner nozzle 150LT			
Spare Part Code	Ref. / Notes		
003723	∅ 1.75	3B/P	G30 36 mbar
003722	∅ 1.55	3B/P	G30 50 mbar
002268	∅ 2.60	2H	G20 25 mbar
003371	∅ 2.75	2L	G25 25mbar
006419	∅ 2.9	2ELL	G25 20 mbar
003371	∅ 2.75	2S	G25.1 25 mbar
054084	∅ 3.2	No CE	G20 10 mbar
0C3706	∅ 5.3	No CE	G110 8 mbar
514862900	∅ 4.8	No CE	G120 8 mbar

B - Ugello pilota / Pilot nozzle			
Spare Part Code	Ref. / Notes		
	n°30	3B/P	G30 36 mbar
	n°30	3B/P	G30 50 mbar
	n°41	2H	G20 25 mbar
	n°41	2L	G25 25mbar
	n°41	2ELL	G25 20 mbar
	n°41	2S	G25.1 25 mbar
	n°75	No CE	G20 10 mbar
053669	n°75	No CE	G110 8 mbar
	n°75	No CE	G120 8 mbar





POS	CODE FACT.	DESCRIPTION	MATERIAL	N° PCS
1	22901084	DRAIN VALVE BODY	UNI EN 12164 Cu Zn40 Pb2	1
2	36200302	CONE ASSEMBLY		1
3	34003012	HANDLE	PA 6 GF30	1
4	22901225	NUT 2"	UNI EN 12164 Cu Zn40 Pb2	1
5	31010210	RETAINER SPRING 2"	ACCIAIO INOX PER MOLLE	1
6	31007370	M4 SCREW WITH HOLE	ACCIAIO INOX AISI 303	2
7	31004855	FIXING PIN WITH FIX GROOVES	ACCIAIO INOX AISI 303	1
8	51000210	RETAINER CLIPS FOR PIN	INOX 35 Cr Mo 17	2
9	34012781	GASKET 60x49.5x2	NOVUS 20	1



PENTOLE GAS INDIRETTE 100/150Lt E900XP
GAS BOILING PAN INDIRECT HEATING 100/150Lt E900XP

Pos	Factory Code	Spare Code	Descrizione	Description	Ref./Note
1	50489KA00	*	FONDO PENTOLA IND. GAS 100Lt	BOTTOM PANEL IND. BOIL.PAN 100Lt	100 lt
1	50489KB00	*	FONDO PENTOLA IND. GAS 150Lt	BOTTOM PANEL IND. BOIL.PAN 150Lt	150 lt
2	835856900	0C0204	PIEDE	FOOT	
3	50589CD00	*	PIASTRA DI RINFORZO PER PIEDI	PLATE FOR FOOT	
4	85089JC00	*	FIANCO DESTRO	LEFT PANEL	ELX
4	85089JF00	*	FIANCO DESTRO	LEFT PANEL	ZAN, OEM
5	85089JD00	*	FIANCO SINISTRO	RIGHT PANEL	ELX
5	85089JG00	*	FIANCO SINISTRO	RIGHT PANEL	ZAN, OEM
9	538844801	*	SCHIENALE 800mm	REAR PANEL 800mm	
10	527850500	0C0156	PIASTRA FISSAGGIO FIANCHI	SIDE PANEL JOINTING PLATE	
11	87089B700	0C7544	RIPIANO PENTOLA INDIR. 100Lt.	SHELF, IND. BOILING PAN 100Lt	ELX
11	87089B300	0C7540	RIPIANO PENTOLA INDIR. 150Lt.	SHELF, IND. BOILING PAN 150Lt	ELX
11	87089B801	0C7545	RIPIANO PENTOLA INDIR. 150Lt.	SHELF, IND. BOILING PAN 150Lt	ELX - Automatic
11	87089NX00		RIPIANO PENTOLA IND. 150Lt.	SHELF, IND. BOILING PAN 150Lt	ELX- Autoclave, F
11	87089FL00	0C7547	RIPIANO PENTOLA INDIR. 100Lt.	SHELF, IND. BOILING PAN 100Lt	ZAN, OEM - GAS
11	87089FM00	0C7548	RIPIANO PENTOLA INDIR. 150Lt.	SHELF, IND. BOILING PAN 150Lt	ZAN, OEM - GAS
11	87089FN00	0C7549	RIPIANO PENTOLA IND. 150Lt.	SHELF, IND. BOILING PAN 150Lt	ZAN, OEM - GAS - Autoclave
11	87089FT00	0C7554	RIPIANO PENTOLA INDIR. 100Lt.	SHELF, IND. BOILING PAN 100Lt	ZAN, OEM - EL
11	87089FV00	0C7556	RIPIANO PENTOLA INDIR. 150Lt.	SHELF, IND. BOILING PAN 150Lt	ZAN, OEM - EL
11	87089FW00	0C7557	RIPIANO PENTOLA IND. 150Lt.	SHELF, IND. BOILING PAN 150Lt	ZAN, OEM - EL - Autoclave
12	543821900	0C2496	GUARNIZIONE PER CRUSCOTTO	GASKET, CONTROL PANEL	
13	85089BQ00	0C7535	CRUSCOTTO	CONTROL PANEL	ELX
13	87089GW00	0C7559	CRUSCOTTO	CONTROL PANEL	ZAN
13	50389PS00	*	CRUSCOTTO	CONTROL PANEL	OEM
14	50389XV00	0C8057	PANNELLO FRONTALE 100 L	FRONT PANEL BOIL.PAN 100Lt	ELX - 100 lt - GAS
14	50389XX00	0C8055	PANNELLO FRONTALE 100 L	FRONT PANEL BOIL.PAN 100Lt	ELX - 100 lt - EL
14	50389Y100	0C7805	PANNELLO FRONTALE 100 L	FRONT PANEL BOIL.PAN 100Lt	ZAN, OEM - 100lt - GAS
14	50389Y300	0C7807	PANNELLO FRONTALE 100 L	FRONT PANEL BOIL.PAN 100Lt	ZAN, OEM - 100 lt - EL
14	50389XW00	0C8056	PANNELLO FRONTALE 150 L	FRONT PANEL BOIL.PAN 150Lt	ELX - 150 lt - GAS
14	50389XY00	0C8054	PANNELLO FRONTALE 150 L	FRONT PANEL BOIL.PAN 150Lt	ELX - 150 lt - EL
14	50389Y200	0C7804	PANNELLO FRONTALE 150 L	FRONT PANEL BOIL.PAN 150Lt	ZAN, OEM - 150lt - GAS
14	50389Y400	0C7808	PANNELLO FRONTALE 150 L	FRONT PANEL BOIL.PAN 150Lt	ZAN, OEM - 150 lt - EL
15	214473001	026187	PERNO FISSAGGIO SPORTELLINO	PIN, FIXING DOOR	
16	508837201	002534	SPORTELLINO, FORO D'ISPEZIONE	DOOR, INSPECTION HOLE	
16a	527843000	*	SPORTELLINO, VALVOLA GAS	DOOR, GAS VALVE	
17	529845500	0C0709	PANNELLINO RUBINETTONE	PANEL FOR DRAIN TAPE	Not Autoclave
18	524882302	0C0740	TAMBURO FUMI 100Lt.	CYLINDER, COMBUSTION 100Lt	100 lt
18	524882102	0C0741	TAMBURO FUMI 150Lt.	CYLINDER, COMBUSTION 150Lt	150 lt
19	528820303	*	ANELLO CHIUSURA FUMI	RING	
20	527839601	*	SQUADRETTA X ANELLO FUMI	BRACKET, RING	
21	508818601	0C0814	SQUADRETTA SUPPORTO CAMINO	BRACKET, CHIMNEY FIXING	
22	524884703	*	ELEMENTO ANT. CAMINO 100Lt	FRONT WALL CHIMNEY 100Lt	100 lt
22	524882802	*	ELEMENTO ANT. CAMINO 150Lt	FRONT WALL CHIMNEY 150Lt	150 lt
23	524884802	*	ELEMENTO POST. CAMINO 100Lt	BACK WALL CHIMNEY 100Lt	100 lt
23	524882901	*	ELEMENTO POST. CAMINO 150Lt	BACK WALL CHIMNEY 150Lt	150 lt
24	527841202	*	DISTANZIALE PER CAMINO	SPACER FOR CHIMNEY	
25	835817102	056691	VALVOLA DI SICUREZZA	SAFETY VALVE	
26	282218301	051553	GUARNIZIONE	GASKET, SAFETY VALVE	
27	514895803	0C0710	RACCORDO	CONNECTION, SAFETY VALVE	Not for pos. F G o t
28	0335239101	051566	VALVOLA DEPRESSIONE	DEPRESSION VALVE	
29	0246005123	0C3448	GUARNIZIONE CELLULOSA, TURCHESE	CELLULOSE GASKET, TURQUOISE	
29*	0246173500	027300	GUARNIZIONE GOMMA OR	OR BLACK GASKET	

PENTOLE GAS INDIRETTE 100/150Lt E900XP
GAS BOILING PAN INDIRECT HEATING 100/150Lt E900XP

Pos	Factory Code	Spare Code	Descrizione	Description	Ref./Note
30	50389LP00	0C7333	GRIGLIA PER CAMINO	GRID FOR CHIMNEY	ELX
30	538841900	0C5624	GRIGLIA PER CAMINO	GRID FOR CHIMNEY	ZAN, OEM
31	310122725	027114	GRIGLIA DI SCARICO	DRAIN GRID	
32	858800100	0C1876	KIT ANTI-CORROSIONE	ANTICORROSIVE KIT	
33					
34	516860700	0C0137	PIASTRINA PER GIUNZIONE	JOINTING REAR PLATE	
35	800833300	*	RINFORZO PER CERNIERA	REINFORCEMENT, HINGE	NOT AUTOCLAVE up to 5081...
35	50489SK00	0C0713	RINFORZO PER CERNIERA	REINFORCEMENT, HINGE	NOT AUTOCLAVE from 5091...
36	873838100	0C0714	COPERCHIO PENTOLA	LID, BOILING PAN	NOT AUTOCLAVE
37	853891400	0C2072	MANIGLIA PENTOLA	HANDLE, LID	ELX NOT AUTOCLAVE ZAN NOT AUTOCLAVE
37	517876502	0C0691	MANIGLIA PENTOLA	HANDLE, LID	NOT AUTOCLAVE
38	517856900	004468	DISTANZIALE PER MANIGLIA	SPACER FOR HANDLE	
38°	217223605	0C0950	VITE PER DISTANZIALE	SCREW, SPACER	
39	800814505	006181	SUPPORTO COPERCHIO	SUPPORT, LID	NOT AUTOCLAVE
40	800823302	006926	COPERTURA SUPPORTO	COVERING, SUPPORT	NOT AUTOCLAVE
41	805878802	006925	RINFORZO COPERCHIO	REINFORCEMENT, LID	NOT AUTOCLAVE
42	217224125	0C2776	VITE FERMO MOLLA / CERNIERA	SCREW, SPRING LOCK	NOT AUTOCLAVE
43	514894501	059518	MOLLA	SPRING	NOT AUTOCLAVE
43	516804700	002981	MOLLA	SPRING	AUTOCLAVE
44	514894802	059862	ASSE PER CERNIERA	PIN, HINGE	NOT AUTOCLAVE
45	516804500	002982	FERMO PER MOLLA	LOCK, SPRING	
46	514894303	059864	BLOCCO CERNIERA	LOCK, HINGE	
47	516804600	002983	BLOCCO REGOLAZIONE MOLLA	LOCKNUT, ADJUSTING SPRING	
48	514894602	002944	SUPPORTO CERNIERA	SUPPORT, HINGE	
49	514895002	059859	VITE PER SUPPORTO CERNIERA	SCREW, SUPPORT HINGE	
50	514894701	059860	VITE PER ASSE CERNIERA	SCREW, PIN HINGE	
51	874849404	059866	COPERCHIO AUTOCLAVE	LID, AUTOCLAVE BOILING PAN	AUTOCLAVE
52	831807501	0C0742	MANIGLIA COPERCHIO AUTOCLAVE	HANDLE, LID AUTOCLAVE	AUTOCLAVE
53	835801801	052623	VALVOLA SCARICO FUMANA	SAFETY VALVE	AUTOCLAVE
54	246173500	027300	GUARNIZIONE PER VALVOLA	GASKET	
56	204751901	025220	CALOTTA PER VALVOLA	CAP, VALVE DRAIN	AUTOCLAVE
57	569805200	*	GUARNIZIONE COPERCHIO	GASKET, LID	AUTOCLAVE
58	315280901	010142	VOLANTINO	HANDWHEEL	AUTOCLAVE
59	214063000	010147	VITE VOLANTINO	SCREW, HANDWHEEL	AUTOCLAVE
60	514802301	052616	PERNO	PIN	AUTOCLAVE
61	514802001	052614	VITE FISSAGGIO COPERCHIO	SCREW, FIXING TO LID	AUTOCLAVE
62	511800201	052612	BRACCIO ROTANTE	ROTATING ARM	AUTOCLAVE
63	514802201	052615	GHIERA	RING NUT	AUTOCLAVE
64	167098086	003363	GRASSO PER PERNO COPERCHIO	GREASE FOR LID	
65	514872501	0C0705	DADO CIECO 3/4" SCARICO INTERC.	CAP NUT 3/4" DRAIN INTERSPACE	
66	543817900	002869	GUARNIZIONE SCARICO INTERCAP.	GASKET, DRAIN INTERSPACE	
67	806823000	*	TUBO ISOLAMENTO SCARICO INTER.	INSULATION PIPE, DRAIN INTERSP.	
68	529845202	*	SUPPORTO BRUC.-PILOTA	SUPPORT BURNER - PILOT	
69	214108111	041155	DADO, RIBALTA	NUT	
70	560841401	*	ISOLAMENTO FONDO	BOTTOM INSULATION	
71	560841102	*	ISOLAMENTO PENTOLA 100lt	INSULATION BOILING PAN 100lt	100 lt
71	560841002	0C5123	ISOLAMENTO PENTOLA 150lt	INSULATION BOILING PAN 150lt	150 lt
72	835819901	002903	VALVOLA GAS	GAS VALVE	
73	215073101	060325	BICONO	DOUBLE CONE	
74	517866200	006622	RACCORDO A "L" 18 - 1/2, RIBALTA	NIPPLE, 1/2" DIAM. 18, PIPE	
75	805899H03	0C6379	TUBO ENTRATA GAS	INLET PIPE, GAS	
76	805899L01	0C6378	RIBALTA 100lt	PIPE , GAS VALVE - BURNER 100lt	100 lt
76	805899J02	0C6366	RIBALTA 150lt	PIPE , GAS VALVE - BURNER 150lt	150 lt
77	830894702	0C0743	BRUCIATORE	BURNER	

PENTOLE GAS INDIRETTE 100/150Lt E900XP
GAS BOILING PAN INDIRECT HEATING 100/150Lt E900XP

Pos	Factory Code	Spare Code	Descrizione	Description	Ref./Note
78	830828001	054039	AREATORE REGOLAZIONE ARIA	AERATOR	
79	514829700	054118	PORTAUGELLO	NOZZLE HOLDER	
80	506833401	054029	GUARNIZIONE UGELLO	GASKET, NOZZLE	
81	214105101	020997	CONTRODADO PORTAUGELLO	LOCK NUT, NOZZLE HOLDER	
82	830897501	0C0744	PILOTA	PILOT	
83	517875202	0C0745	CONDUTTURA PILOTA 100Lt	PILOT PIPE 100Lt	100 lt
83	517875102	0C0746	CONDUTTURA PILOTA 150Lt	PILOT PIPE 150Lt	150 lt
84	214164400	052125	RACCORDO M10X1 DIAM 4	NIPPLE, M10X1 DIAM 4	
85	215199700	052127	BICONO SPEC.DA 4	BICONICAL RING, DIAM.4	
86	515827401	053665	BICONO DIAM.4	BICONICAL RING, DIAM.4	
87	831818901	0C3162	TERMOCOPPIA INTERROTTA	THERMOCOUPLE INT.	
88	330272401	052610	ELETTRODO DI ACCENSIONE	ELECTRODE, IGNITION	
89	214164101	057960	RACCORDO FISS. CANDELA	NIPPLE, ELECTRODE	
90					
91	835866201	0C1450	RUBINETTO DI LIVELLO	TAP, LEVEL JACKET	
92	516875001	0C1451	BORCHIETTA PER RUBINETTO	FIXING RING, TAP	
93	856841701	0S0950	BOCCHETTONE SCARICO	DRAIN VALVE COMPLETE	Refer to
94	516861001	0C0716	CONTRODADO PER	LOCK NUT, DRAIN TAPE	dedicated page
95	(22901225)		RUBINETTONE		Refer to
	022152300	004986	GUARNIZIONE	GASKET, DRAIN TAPE	dedicated page
	(34012781)				60x49- Refer to
96	211794613	051521	EROGATORE ACQUA	WATER DISTRIBUTOR	
97	543800600	052779	GUARNIZIONE OR	OR GASKET, WATER DISTRIB.	
98	830896400	0C6107	CONDUTTURA CARICO ACQUA	PIPE, DISTRIBUTOR	
99	140068008	002707	TUBO GOMMA CORAZZATO	FEEDING PIPE	
100	544615700	047431	RACCORDO A Y	CONNECTION Y	DRA
101	835823600	*	FASCETTA	HOSE CLAMP	
102	696805700	0C3254	ELETTROVALVOLA	MAGNETIC VALVE	
103	646815500	0C4083	PRESSOSTATO	PRESSURE SWITCH	
104	696805000	0C0938	ELETTROVALVOLA	MAGNETIC VALVE	
105					
106					
107	511820700	0C1449	RACCORDO T	CONNECTION T	
108	830895600	0C0712	MANOMETRO	MANOMETER	
109	830866802	059521	CAPILLARE PER MANOMETRO	CAPILLARY, MANOMETER	
110	641802400	059544	COMMUTATORE 4 POSIZIONI	SWITCH 4 POSITION	Up to 5231...
110	641805401	0C9180	COMMUTATORE 4 POSIZIONI	SWITCH 4 POSITION	From 5241...
111	699802200	055016	REGOLATORE DI ENERGIA	ENERGY REGULATOR	
112	876800201	0C0687	LAMPADA ROSSA	RED LAMP	
113	876800002	005010	LAMPADA VERDE	GREEN LAMP	
114	511850G01	0C6670	MANOPOLA	KNOB	ELX
*	548877V00	0C7345	ADATTATORE MANOPOLA	KNOB ADAPTER	ELX
114	548864302	0C3218	MANOPOLA PER VALVOLA GAS	KNOB FOR GAS VALVE	ELX
114	548856800	0C0257	MANOPOLA	KNOB	ZAN
114	548864302	0C3218	MANOPOLA PER VALVOLA GAS	KNOB FOR GAS VALVE	ZAN
114	548865500	0A5621	MANOPOLA	KNOB	OEM
114	548864302	0C3218	MANOPOLA PER VALVOLA GAS	KNOB FOR GAS VALVE	OEM
115	214590701	025245	MOLLETTA PER MANOPOLA	SPRING, KNOB	
116	543821000	053816	GUARNIZIONE PER MANOPOLA	GASKET, KNOB	
117	548877B00	0C7526	GHIERA CARICO ACQUA	KNOB RING, WATER REFILL	ELX
117	548863601	0C0711	GHIERA CARICO ACQUA	KNOB RING, WATER REFILL	ZAN, OEM
118	548877T00	0C7344	GHIERA REGOLATORE DI ENERGIA	KNOB RING, ENERGY REGULATOR	ELX
118	548859001	0C0318	GHIERA REGOLATORE DI ENERGIA	KNOB RING, ENERGY REGULATOR	ZAN, OEM
119	218912211	069567	MOLLETTA PER GHIERA	SPRING, KNOB RING	
120	543821000	053816	GUARNIZIONE MANOPOLA	GUARNIZIONE MANOPOLA	
121	548864302	0C3218	PROLUNGA MANOPOLA VALVOLA	KNOB EXTENSION, GAS VALVE	GAS
122	624804700	004240	ACCENDITORE	LIGHTER	GAS
123	830831400	054539	CONSENSO ACC. VALVOLA	MICRO VALVE	GAS
124	544802200	*	PRESSACAVO	TOGHTENER CORD	GAS
125	639804900	046357	MORSETTIERA	MAIN TERMINAL	GAS

PENTOLE GAS INDIRETTE 100/150Lt E900XP
GAS BOILING PAN INDIRECT HEATING 100/150Lt E900XP

Pos	Factory Code	Spare Code	Descrizione	Description	Ref./Note
126	527842300	*	SUPPORTO MORSETTIERA	SUPPORT MAIN TERMINAL	GAS
127	652800401	056582	PORTAFUSIBILE	HOLDER, FUSE	GAS
128	452140500	057783	FUSIBILE 4A 250V	FUSE, 4A 250V	GAS
129	694601000	046217	FILTRO ANTIDISTURBO	FILTER	GAS
130	646813200	0C0999	TERMOSTATO DI SICUREZZA	SAFETY THERMOSTAT	GAS
131	639810200	0C0717	FASCETTA PER FISS. CAVO ALIM.	HOSE CLAMP, FIXING CABLE	GAS
132	-	0K3020	BOBINA VALV. SIT 220/240V 50HZ	COIL GAS VALVE SIT 220/240V 50HZ	GAS
133	646815500	0C4083	PRESSOSTATO	PRESSURE SWITCH	
134	527860900	*	SUPPORTO PRESSOSTATO / GICAR	SUPPORT, PRESSURE SWITCH/GICAR	
135	517887301	*	CONDUTTURA PRESSOSTATO	PIPE, PRESSURE SWITCH	
136	515863500	0C0888	RACCORDO	NIPPLE	
137	51689A800	0CB036	BICONO DI TENUTA DIAM.6	DOUBLE CONE DIAM.6	
138	511820700	0C1449	RACCORDO T	"T" UNION PIPE	
139	517881200	0C4455	RACCORDO A RESCA	NIPPLE	
140	835825500	058258	VALVOLA DI RITEGNO	NON RETURN VALVE	
141	511819600	0CA744	RIDUZIONE	REDUCTION UNION PIPE	
142	517887001	0C0936	CONDUTTURA ELETTR.-LIVELLO MAX	PIPE, MAGN.VALVE - MAX LEVEL	
143	511819700	0C5396	RACCORDO A L	"L" UNION PIPE	
144	511819900	0CB037	TAPPO MASCHIO ART A7 FIL ¼ OT CRT METALWORK	MALE PLUG	80/100LT AUTOM.
145	831812100	0C0940	BOTTIGLIA CONTROLLO DI LIVELLO	BOTTLE, CONTROL LEVEL	
146	831812900	0C1564	SONDA H60	PROBE H60	80/100LT AUTOM.
146	831812000	0C0939	SONDA H175	PROBE H175	100/150LT AUTOM.
147	516873100	0C5234	DISTANZIALE	SPACER	
148	517887202	0C0935	CONDUTTURA SFIATO BOTTIGLIA	PIPE, BOTTLE	
149	517887701	0C1565	CONDUTTURA LIVELLO INF. 100Lt	PIPE, DRAIN JACKET - BOTTLE 100Lt	80/100LT AUTOM.
149	517887102	0C0941	CONDUTTURA LIVELLO MIN-BOTT.150Lt	PIPE, MIN LEVEL - BOTTLE 150Lt	100/150LT AUTOM.
150	230803004	*	TAPPO 1/2"	TAP 1/2"	80/100LT AUTOM.
151	230134304	*	GOMITO	UNION ELBOW	80/100LT AUTOM.
152	646813400	0C0937	REGOLATORE DI LIVELLO GICAR	GICAR, LEVER REGULATOR	
153	511818100	0C1040	"T"	"T" UNION PIPE	80/100LT AUTOM
154	511820000	0CB035	NIPPLO N8 ¼ GAS UNI 5192-86	NIPPLE N8 ¼ GAS	
172	639805301	058608	MORSETTIERA PORTAFUSIBILE	MAIN TERMINAL	EL
173	452140500	057783	FUSIBILE AUSILIARIO 4 A-250 V.	FUSE 4A - 250V	EL
174	648807700	007080	CONTATTORE	CONTACTOR	EL
175	617839800	0C6470	RESISTENZA 10.75KW 230V	HEATING ELEMENT 10.75kW 230V	EL
176	543800700	046213	GUARNIZIONE PER RESISTENZA	GASKET, HEATING ELEMENT	EL
182	544802400	0C3528	PRESSACAVO	TOGHTENER CORD	EL
183	646809100	004862	TERMOSTATO DI SICUREZZA	SAFETY THERMOSTAT	EL
184	211794613	051521	EROGATORE ACQUA	WATER DISTRIBUTOR	EL
185	639810200	0C0717	FASCETTA FISSAGGIO CAVO ALIM.	HOSE CLAMP, FIXING CABLE	EL