

PENTOLE INDIRETTE 100/150Lt E900XP
BOILING PAN INDIRECT HEATING 100/150Lt E900XP

PNC	Model	Ref	Brand	Version	Notes
391100	E9BSGHIPF0	a	ELX	GAS	80/100LT
391101	E9BSGHIPFR	c	ELX	GAS	80/100LT AUTOMATIC
391102	E9BSGHIRF0	b	ELX	GAS	100/150LT
391103	E9BSGHIRFR	d	ELX	GAS	100/150LT AUTOMATIC
391104	E9BSGHIRFC	f1	ELX	GAS	100/150LT AUTOCLAVE
391118	E9BSEHIPF0	e	ELX	EL	80/100LT
391119	E9BSEHIPFR	f	ELX	EL	80/100LT AUTOMATIC
391120	E9BSEHIRF0	g	ELX	EL	100/150LT
391121	E9BSEHIRFR	h	ELX	EL	100/150LT AUTOMATIC
391122	E9BSEHIRFC	g1	ELX	EL	100/150LT AUTOCLAVE
392100	Z9BSGHIPF0	i	ZAN	GAS	80/100LT
392101	Z9BSGHIPFR	l	ZAN	GAS	80/100LT AUTOMATIC
392102	Z9BSGHIRF0	m	ZAN	GAS	100/150LT
392103	Z9BSGHIRFR	n	ZAN	GAS	100/150LT AUTOMATIC
392104	Z9BSGHIRFC	o	ZAN	GAS	100/150LT AUTOCLAVE
392118	Z9BSEHIPF0	p	ZAN	EL	80/100LT
392119	Z9BSEHIPFR	q	ZAN	EL	80/100LT AUTOMATIC
392120	Z9BSEHIRF0	r	ZAN	EL	100/150LT
392121	Z9BSEHIRFR	s	ZAN	EL	100/150LT AUTOMATIC
392122	Z9BSEHIRFC	t	ZAN	EL	100/150LT AUTOCLAVE
393100	A9BSGHIPF0	u	OEM	GAS	80/100LT
393101	A9BSGHIPFR	v	OEM	GAS	80/100LT AUTOMATIC.
393102	A9BSGHIRF0	z	OEM	GAS	100/150LT
393103	A9BSGHIRFR	a1	OEM	GAS	100/150LT AUTOMATIC
393118	A9BSEHIPF0	b1	OEM	EL	80/100LT
393119	A9BSEHIPFR	c1	OEM	EL	80/100LT AUTOMATIC
393120	A9BSEHIRF0	d1	OEM	EL	100/150LT
393121	A9BSEHIRFR	e1	OEM	EL	100/150LT AUTOMATIC
393705	L9BSEHIPF5	j	LOIPART	EL	80/100LT

Index

General components / Componenti struttura

Cover components / Componenti coperchio

Gas components / Componenti gas

Pilot / Burner Nozzle / Tabelle ugelli

Electric components / Componenti elettrici

Automatic components up to wk 2022/29 / Componenti carico automatico fino a wk 2022/29

Automatic components from wk 2022/30 / Componenti carico automatico da wk 2022/30

Electric components / Componenti elettrici

Drain valve / Valvola di scarico Up to 2021/11

Drain valve / Valvola di scarico From 2021/12

Spare parts list / Lista ricambi

Page

2

3

4

5

6

7

8

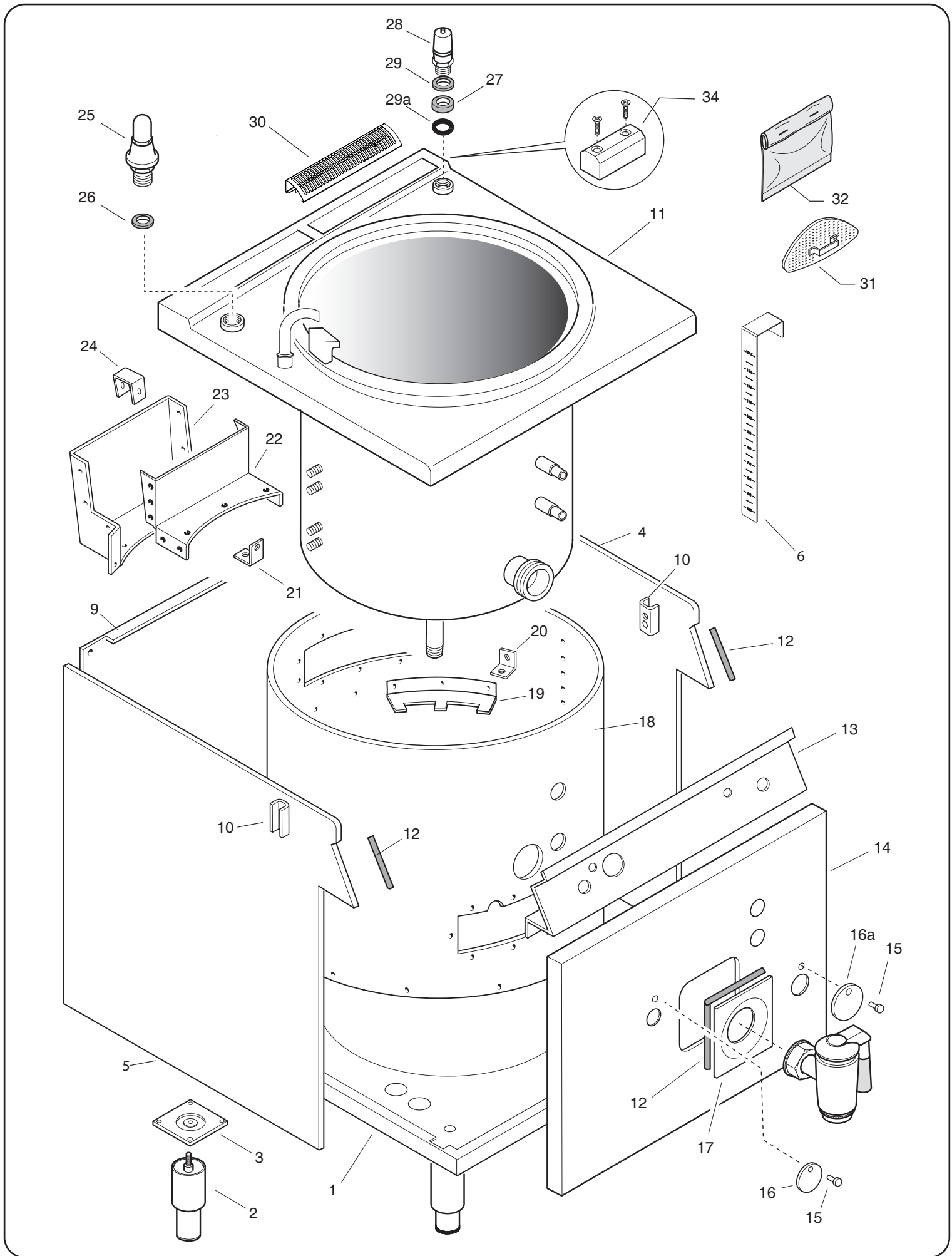
9

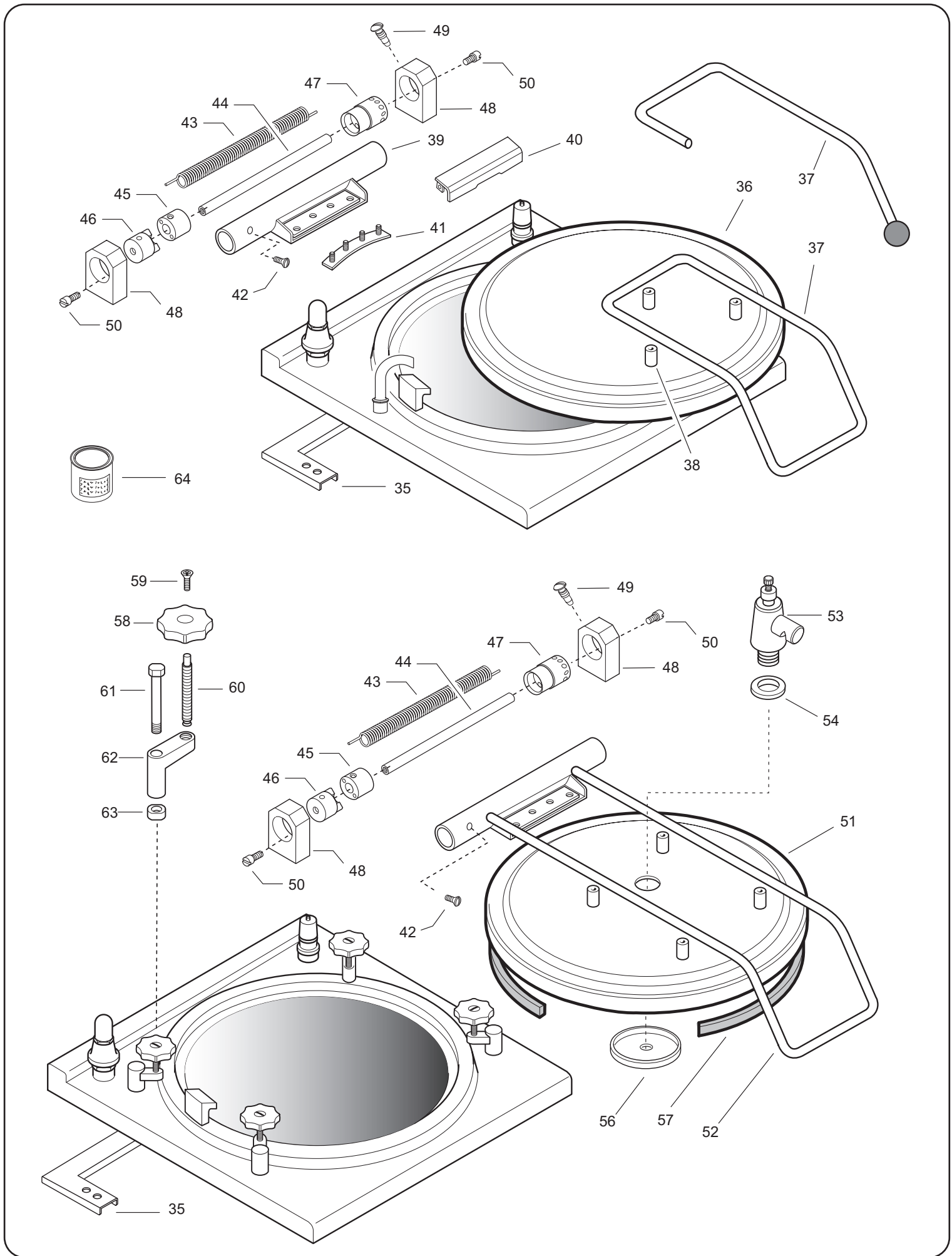
10

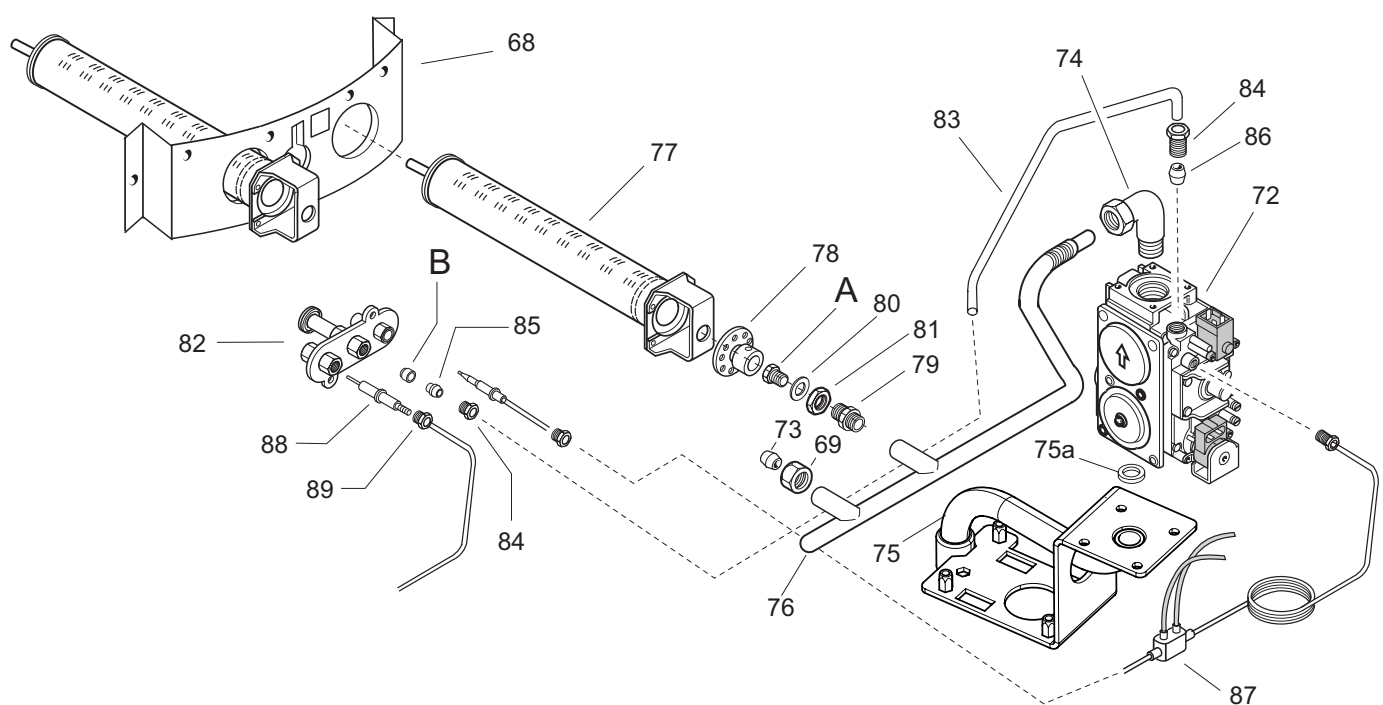
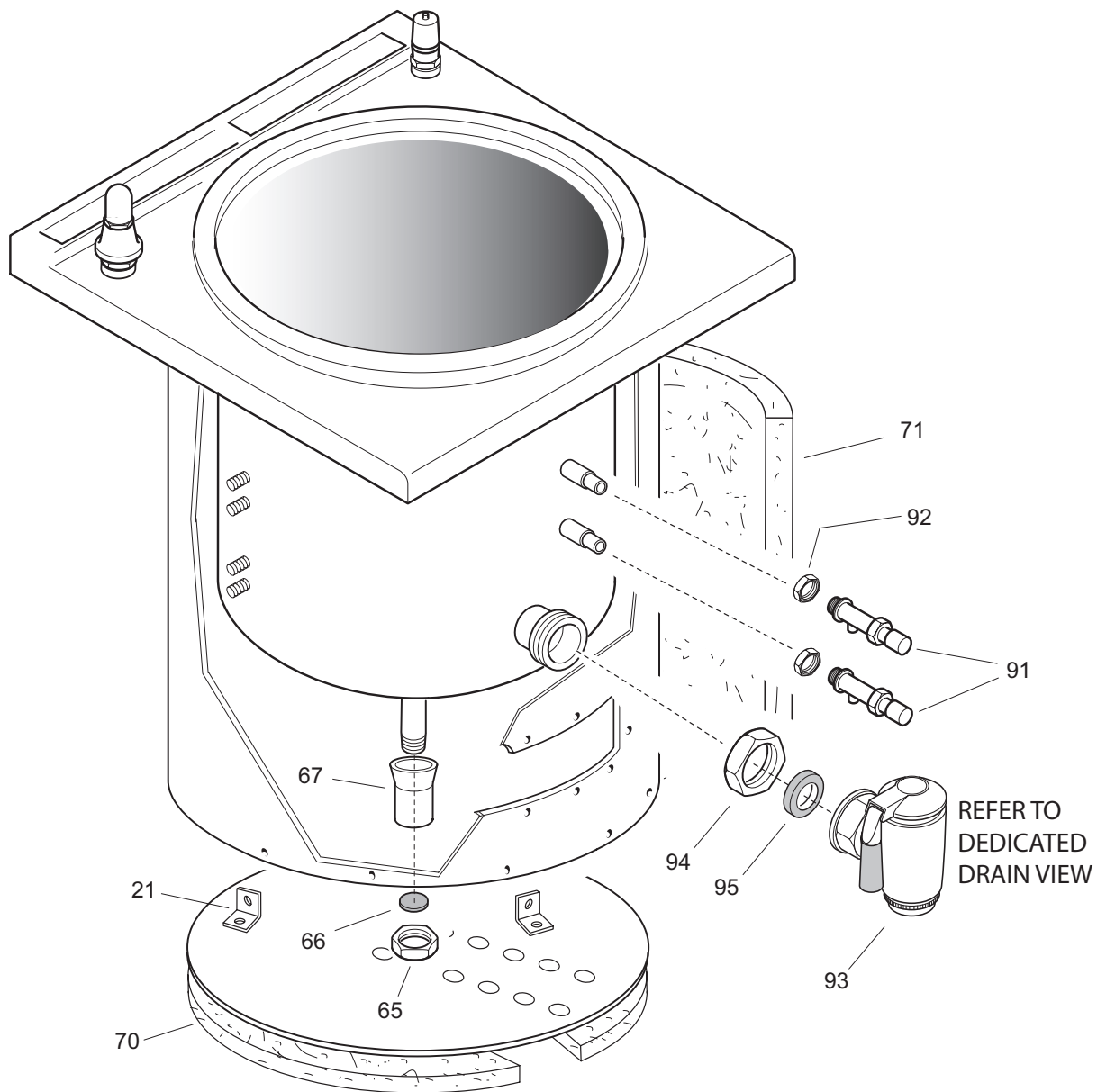
11

12-17

Rev. 8 Bold=last change / Grassetto =ultima modifica



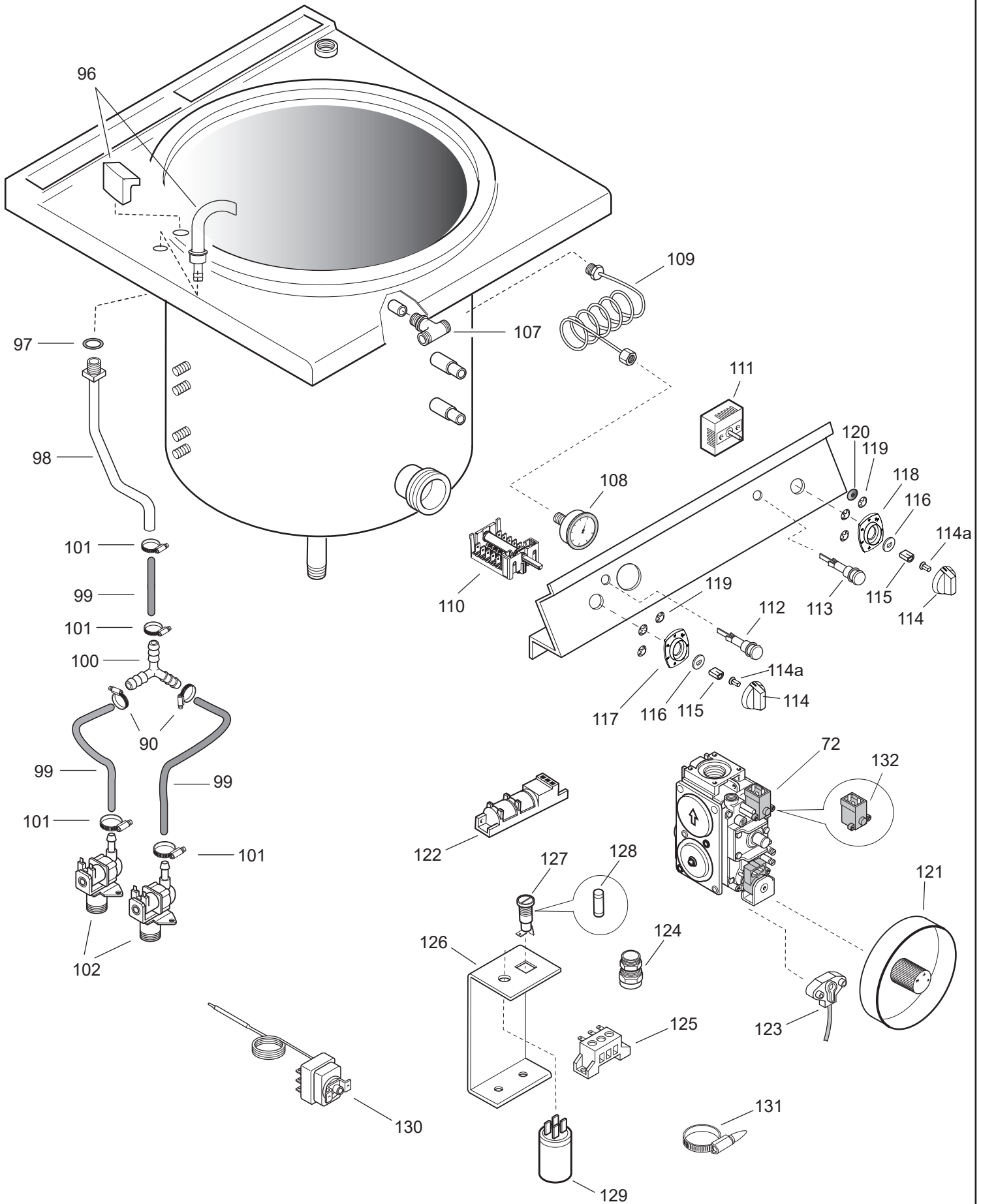


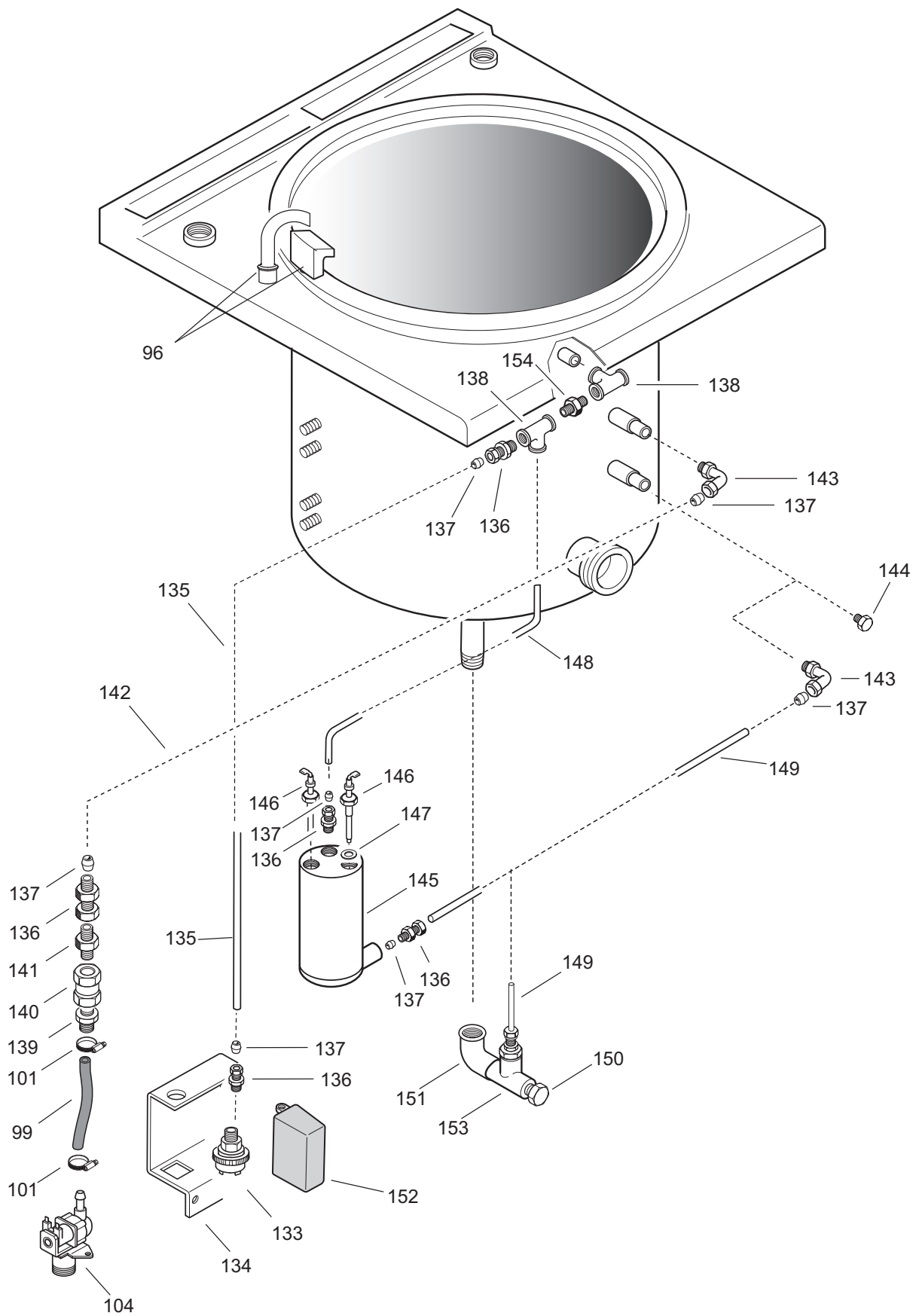


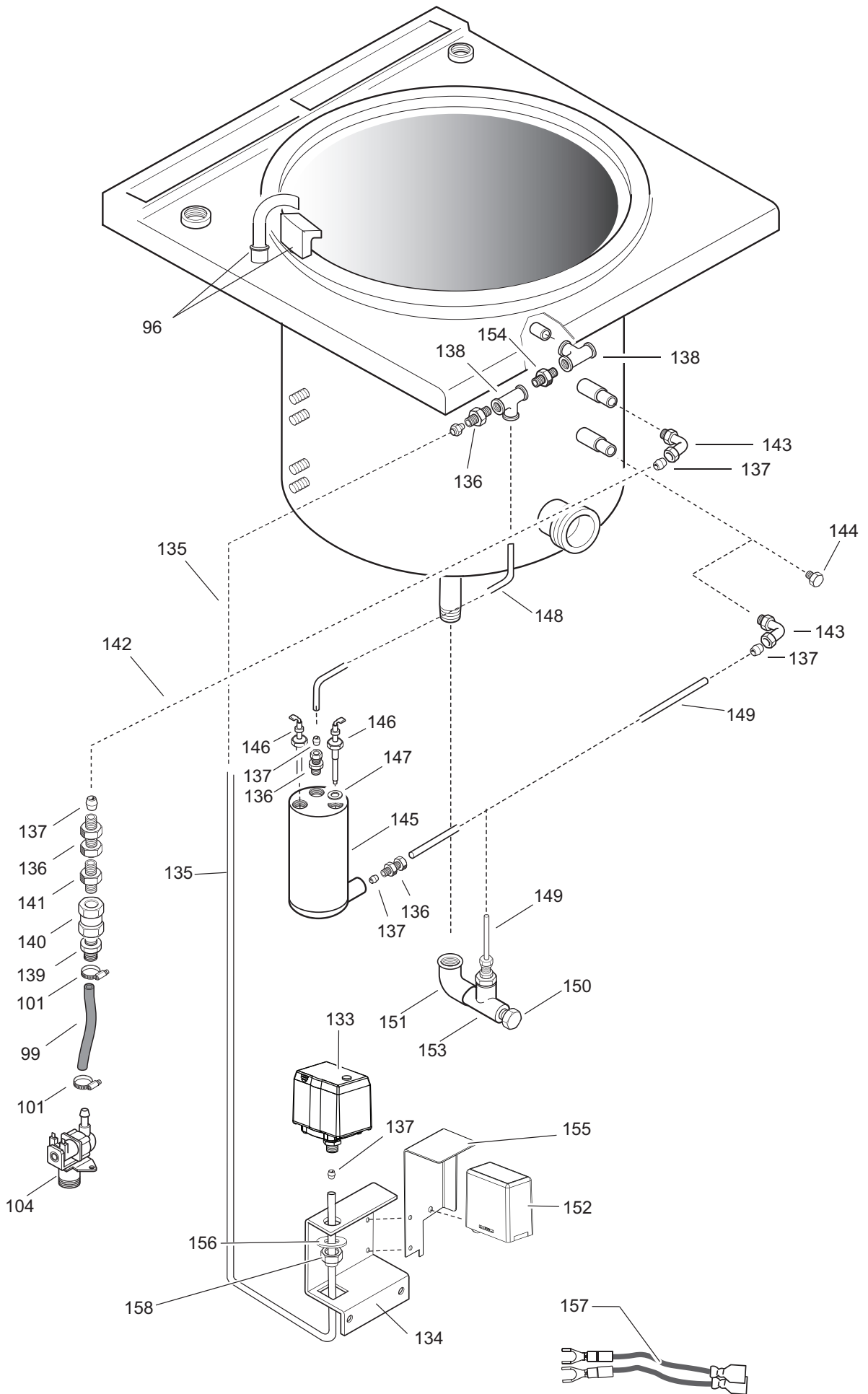
A - Ugello bruciatore / Burner nozzle 100LT			
6DGT Code	Ref. / Notes		
054127	ø1.65	3+3B/P	G30 30mbar
003722	ø1.55	3B/P	G30 37mbar
056470	ø1.45	3B/P	G30 50mbar
059363	ø2.50	2H/2E+	G20 20mbar
004727	ø2.35	2H	G20 25mbar
002268	ø2.60	2L	G25 25mbar
002267	ø2.45	2K	G25.3 25mbar
0C0747	ø2.70	2ELL	G25 20mbar
002268	ø2.60	2S	G25.1 25mbar
056563	ø5.00	No CE	G110 8mbar

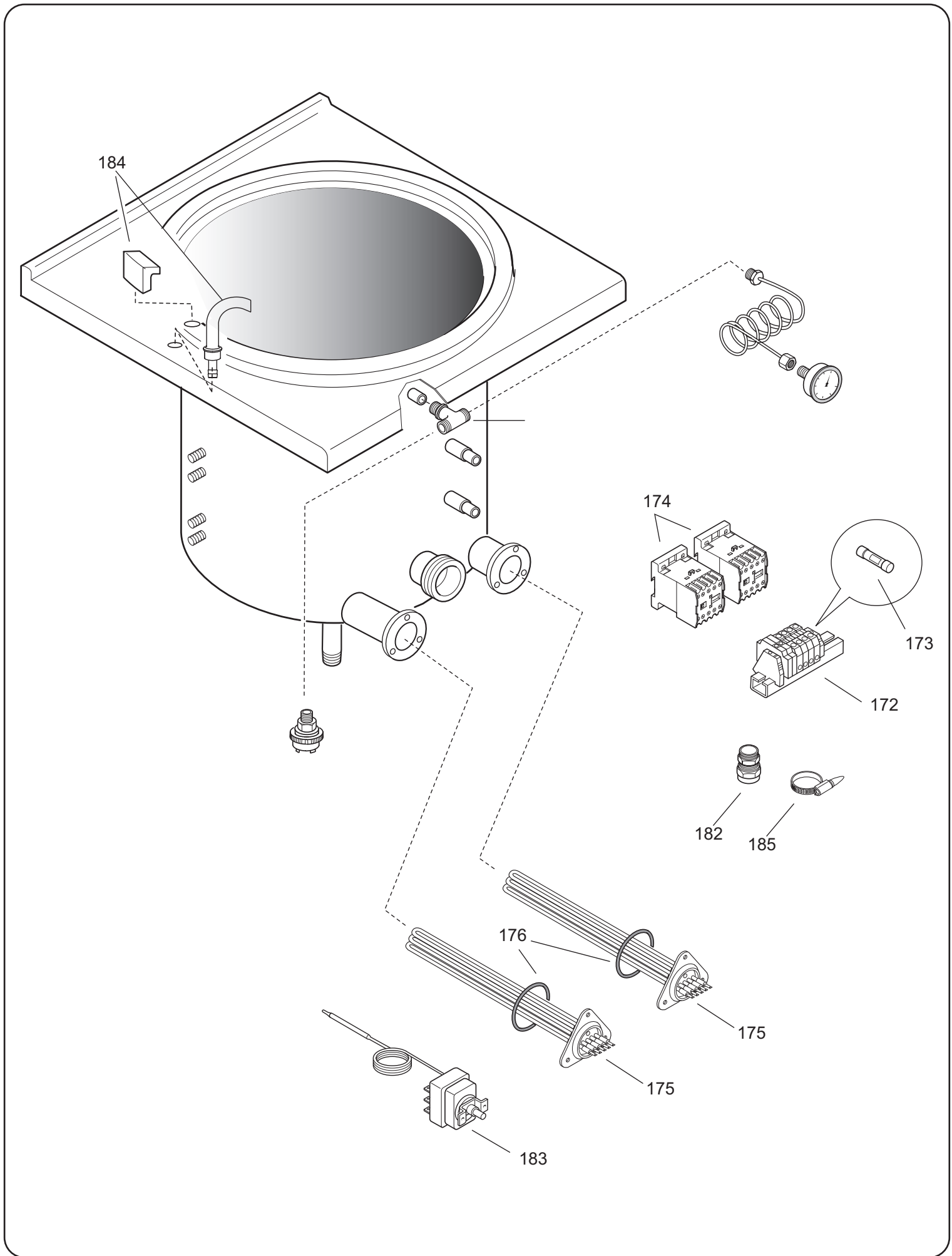
A - Ugello bruciatore / Burner nozzle 150LT			
6DGT Code	Ref. / Notes		
003723	ø1.75	3+3B/P	G30 30mbar
054127	ø1.65	3B/P	G30 37mbar
003722	ø1.55	3B/P	G30 50mbar
002268	ø2.60	2H/2E+	G20 20mbar
002267	ø2.45	2H	G20 25mbar
003371	ø2.75	2L	G25 25mbar
002268	ø2.60	2K	G25.3 25mbar
006419	ø2.90	2ELL	G25 20mbar
003371	ø2.75	2S	G25.1 25mbar
0C3706	ø5.30	No CE	G110 8mbar
514862900	ø4.80	No CE	G120 8mbar

B - Ugello pilota / Pilot nozzle			
6DGT Code	Ref. / Notes		
053667	n°30	3+3B/P	G30 30mbar
053667	n°30	3B/P	G30 37mbar
053667	n°30	3B/P	G30 50mbar
053670	n°41	2H/2E+	G20 20mbar
053670	n°41	2H	G20 25mbar
053670	n°41	2L	G25 25mbar
053670	n°41	2K	G25.3 25mbar
053670	n°41	2ELL	G25 20mbar
053670	n°41	2S	G25.1 25mbar
053669	n°75	No CE	G110 8mbar
053669	n°75	No CE	G120 8mbar



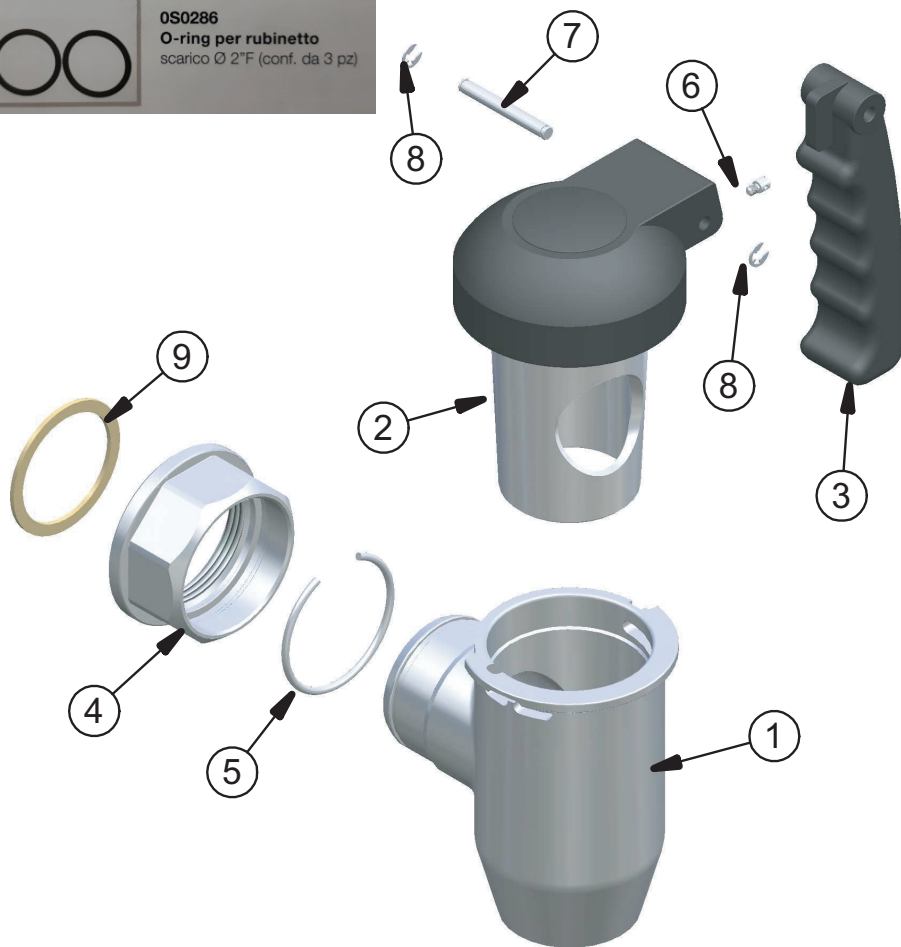
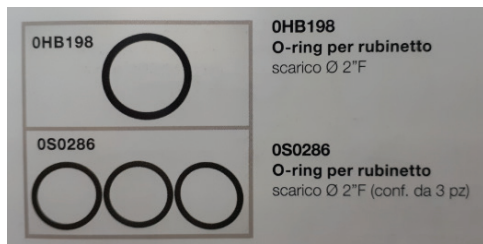






COMPLETE ASSEMBLY 0S0950 and all its components UP TO S/N 2021/11

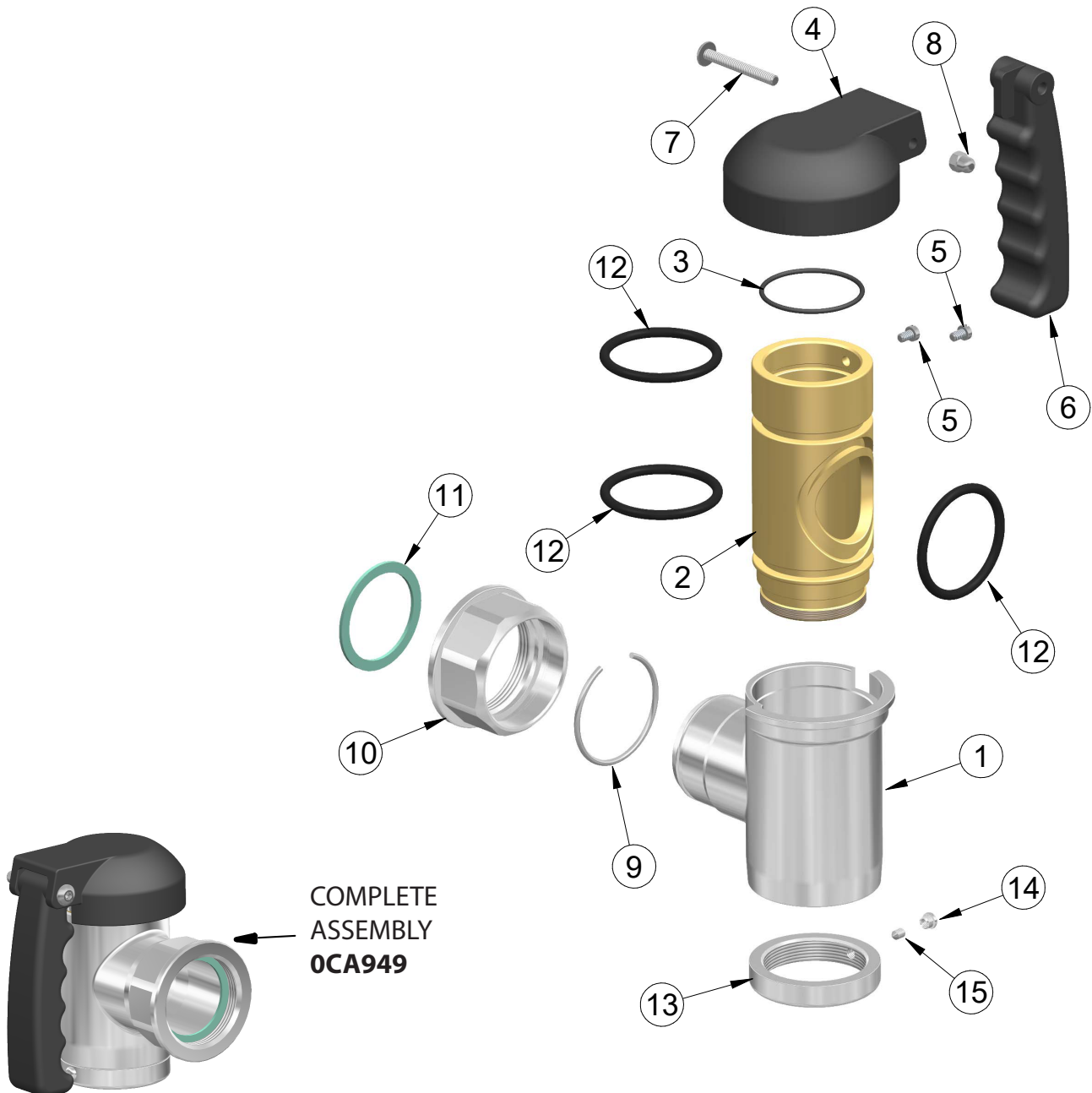
POS	CODE FACT.	DESCRIPTION	MATERIAL	N° PCS
1	22901084	DRAIN VALVE BODY	UNI EN 12164 Cu Zn40 Pb2	1
2	36200302	CONE ASSEMBLY		1
3	34003012	HANDLE	PA 6 GF30	1
4	22901225	NUT 2"	UNI EN 12164 Cu Zn40 Pb2	1
5	31010210	RETAINER SPRING 2"	ACCIAIO INOX PER MOLLE	1
6	31007370	M4 SCREW WITH HOLE	ACCIAIO INOX AISI 303	2
7	31004855	FIXING PIN WITH FIX GROOVES	ACCIAIO INOX AISI 303	1
8	51000210	RETAINER CLIPS FOR PIN	INOX 35 Cr Mo 17	2
9	34012781	GASKET 60x49.5x2	NOVUS 20	1



**COMPLETE
ASSEMBLY
0S0950**

COMPLETE ASSEMBLY 0CA949 and all its components FROM S/N 2021/12

POS	CODICE	DESCRIZIONE	MATERIALE	RIVESTIMENTO	N° PEZZI
1	22801039	CORPO RUBINETTO GBM TENUTA O-RING	CC770S	Ni 12 µm Cr 0.3 µm	1
2	22100972	CILINDRO TENUTA O-RING	UNI EN 12168 CW617N	/	1
3	34044667	O-RING RIFERIMENTO GB 3200	NBR	/	1
4	36200355	ASSIEME CALOTTA ED INSERTO	/	/	1
5	51007379	VITE M5x8 TESTA CACCIAVITE	ACCIAIO INOX A2	/	2
6	34003012	IMPUGNATURA ANATOMICA	PA 6 GF30	/	1
7	51007351	VITE INOX M6x50	ACCIAIO INOX A2	/	1
8	51007355	DADO CIECO INOX M6	ACCIAIO INOX A2	/	1
9	31010210	ANELLO FISSAGGIO DADO DA 2"	ACCIAIO INOX PER MOLLE	/	1
10	22901225	DADO DA 2" PER RUB. DI SCARICO	UNI EN 12165 CW612N	Ni 12 µm Cr 0.3 µm	1
11	34012781	GUARNIZIONE Ø60x48.5x2	AFM34	/	1
12	34044795	O-RING RIFERIMENTO GB 6212	EPDM	/	3
13	22102548	GHIERA PER RUB. DI SCARICO O-RING	UNI EN 12168 CW617N	Ni 12 µm Cr 0.3 µm	1
14	22103010	INSERTO GHIERA PER RUB. DI SCARICO	UNI EN 12164 CW617N	Ni 12 µm Cr 0.3 µm	1
15	51002724	GRANO INOX M5x8 CON PUNTA	DIN 914 A2	/	1



PENTOLE INDIRETTE 100/150Lt E900XP
 BOILING PAN INDIRECT HEATING 100/150Lt E900XP

Pos	Factory Code	Spare Code	Descrizione	Description	Ref./Notes
1	50489KA04	*	FONDO PENTOLA IND. GAS 100Lt	BOTTOM PANEL IND.BOIL.PAN 100Lt	100 lt
1	50489KB04	*	FONDO PENTOLA IND. GAS 150Lt	BOTTOM PANEL IND.BOIL.PAN 150Lt	150 lt
2	835856900	0C0204	PIEDE	FOOT	
2	0806844600	0C3324	PIEDE	FOOT	MARINE - j
3	50589CD00	*	PIASTRA DI RINFORZO PER PIEDI	PLATE FOR FOOT	
4	085089JC01	0CB153	FIANCO DESTRO	RIGHT PANEL	ELX, LOIPART
4	050389HL00	0CB154	FIANCO DESTRO	RIGHT PANEL	ZAN, OEM
5	050389HH00	0CB151	FIANCO SINISTRO	LEFT PANEL	ELX, LOIPART
5	085089M102	0CB152	FIANCO SINISTRO	LEFT PANEL	ZAN, OEM
6	50589N401	*	ASTA TACCHE LIVELLI E CAPACITA'	MEASURING ROD	100 LT
6	50589N501	*	ASTA TACCHE LIVELLI E CAPACITA'	MEASURING ROD	150 LT
9	538844801	*	SCHIENALE 800mm	REAR PANEL 800mm	
10	527850500	0C0156	PIASTRA FISSAGGIO FIANCHI	SIDE PANEL JOINTING PLATE	
11	87089QT00	OCA979	RIPIANO PENTOLA INDIR. ELUX GAS	TOP IND.BOLING PAN GAS ELUX	80/100 lt Automatic Up to 2020/47
11	87089QT01	0CB873	RIPIANO PENTOLA INDIR. ELUX GAS	TOP IND.BOLING PAN GAS ELUX	80/100 lt Automatic From 2020/48
11	87089R000	OCA495	RIPIANO PENTOLA INDIR. ELUX GAS	TOP IND.BOLING PAN GAS ELUX	100/150 lt Up to 2020/47
11	87089R001	0CB880	RIPIANO PENTOLA INDIR. ELUX GAS	TOP IND.BOLING PAN GAS ELUX	100/150 lt From 2020/48
11	87089R900	OCA976	RIPIANO PENTOLA INDIR. ELUX GAS	TOP IND.BOLING PAN GAS ELUX	100/150 lt Autoclave Up to 2020/47
11	87089R901	0CB889	RIPIANO PENTOLA INDIR. ELUX GAS	TOP IND.BOLING PAN GAS ELUX	100/150 lt Autoclave From 2020/48
11	87089QV00	OCA981	RIPIANO PENTOLA INDIR. ELUX EL.	TOP IND.BOLING PAN EL. ELUX	80/100 lt Automatic Up to 2020/47
11	87089QV01	0CB875	RIPIANO PENTOLA INDIR. ELUX EL.	TOP IND.BOLING PAN EL. ELUX	80/100 lt Automatic From 2020/48
11	87089R200	OCA969	RIPIANO PENTOLA INDIR. ELUX EL.	TOP IND.BOLING PAN EL. ELUX	100/150 lt Up to 2020/47
11	87089R201	0CB882	RIPIANO PENTOLA INDIR. ELUX EL.	TOP IND.BOLING PAN EL. ELUX	100/150 lt From 2020/48
11	87089RB00	OCA978	RIPIANO PENTOLA INDIR. ELUX EL.	TOP IND.BOLING PAN EL. ELUX	100/150 lt Autoclave Up to 2020/47
11	87089RB01	0CB891	RIPIANO PENTOLA INDIR. ELUX EL.	TOP IND.BOLING PAN EL. ELUX	100/150 lt Autoclave From 2020/48
11	87089QW00	OCA982	RIPIANO PENTOLA INDIR. ZAN GAS	TOP IND.BOLING PAN GAS ZAN	80/100 lt Automatic Up to 2020/47
11	87089QW01	0CB876	RIPIANO PENTOLA INDIR. ZAN GAS	TOP IND.BOLING PAN GAS ZAN	80/100 lt Automatic From 2020/48
11	87089R300	OCA970	RIPIANO PENTOLA INDIR. ZAN GAS	TOP IND.BOLING PAN GAS ZAN	100/150 lt Up to 2020/47
11	87089R301	0CB883	RIPIANO PENTOLA INDIR. ZAN GAS	TOP IND.BOLING PAN GAS ZAN	100/150 lt From 2020/48
11	87089R400	OCA971	RIPIANO PENTOLA INDIR. ZAN GAS	TOP IND.BOLING PAN GAS ZAN	100/150 lt Autoclave Up to 2020/47
11	87089R401	0CB884	RIPIANO PENTOLA INDIR. ZAN GAS	TOP IND.BOLING PAN GAS ZAN	100/150 lt Autoclave From 2020/48
11	87089QY00	OCA778	RIPIANO PENTOLA INDIR. ZAN EL.	TOP IND.BOLING PAN EL. ZAN	80/100 lt Automatic Up to 2020/47
11	87089QY01	0CB878	RIPIANO PENTOLA INDIR. ZAN EL.	TOP IND.BOLING PAN EL. ZAN	80/100 lt Automatic From 2020/48
11	87089QZ00	OCA984	RIPIANO PENTOLA INDIR. ZAN EL.	TOP IND.BOLING PAN EL. ZAN	80/100 lt Automatic Up to 2020/47
11	87089QZ01	0CB879	RIPIANO PENTOLA INDIR. ZAN EL.	TOP IND.BOLING PAN EL. ZAN	80/100 lt Automatic From 2020/48

PENTOLE INDIRETTE 100/150Lt E900XP
 BOILING PAN INDIRECT HEATING 100/150Lt E900XP

Pos	Factory Code	Spare Code	Descrizione	Description	Ref./Notes
11	87089R700	0CA974	RIPIANO PENTOLA INDIR. ZAN EL.	TOP IND.BOLING PAN EL. ZAN	100/150 lt Up to 2020/47
11	87089R701	0CB887	RIPIANO PENTOLA INDIR. ZAN EL.	TOP IND.BOLING PAN EL. ZAN	100/150 lt From 2020/48
11	87089R800	0CA975	RIPIANO PENTOLA INDIR. ZAN EL.	TOP IND.BOLING PAN EL. ZAN	100/150 lt Autoclave Up to 2020/47
11	87089R801	0CB888	RIPIANO PENTOLA INDIR. ZAN EL.	TOP IND.BOLING PAN EL. ZAN	100/150 lt Autoclave From 2020/48
12	543821900	0C2496	GUARNIZIONE PER CRUSCOTTO	GASKET, CONTROL PANEL	
13	85089BQ02	0CBA0Y	CRUSCOTTO	CONTROL PANEL	ELX
13	87089GW01	0C8060	CRUSCOTTO	CONTROL PANEL	ZAN
13	0800838R00	0CBA0X	CRUSCOTTO	CONTROL PANEL	OEM - LOIPART
14	50389XV00	0C8057	PANNELLO FRONTALE 100 L	FRONT PANEL BOIL.PAN 100Lt	ELX - 100 lt - GAS Up to 2022/29
14	50389Y100	0C7805	PANNELLO FRONTALE 100 L	FRONT PANEL BOIL.PAN 100Lt	ZAN, OEM - 100lt - GAS Up to 2022/29
14	5038ACG00	0CBASR	PANNELLO FRONTALE 100 L	FRONT PANEL BOIL.PAN 100Lt	100 lt - GAS From 2022/30
14	5038ACN00	0CBASX	PANNELLO FRONTALE 100 L	FRONT PANEL BOIL.PAN 100Lt	100 lt - GAS AUTOM. From 2022/30
14	50389XW00	0C8056	PANNELLO FRONTALE 150 L	FRONT PANEL BOIL.PAN 150Lt	ELX - 150 lt - GAS Up to 2022/29
14	50389Y200	0C7804	PANNELLO FRONTALE 150 L	FRONT PANEL BOIL.PAN 150Lt	ZAN, OEM - 150lt - GAS Up to 2022/29
14	5038ACH00	0CBASS	PANNELLO FRONTALE 150 L	FRONT PANEL BOIL.PAN 150Lt	150 lt - GAS From 2022/30
14	5038ACP00	0CBASY	PANNELLO FRONTALE 150 L	FRONT PANEL BOIL.PAN 150Lt	150 lt - GAS AUTOM. From 2022/30
14	50389XX00	0C8055	PANNELLO FRONTALE 100 L	FRONT PANEL BOIL.PAN 100Lt	ELX - 100 lt - EL Up to 2022/29
14	50389Y300	0C7807	PANNELLO FRONTALE 100 L	FRONT PANEL BOIL.PAN 100Lt	ZAN, OEM - 100 lt - EL Up to 2022/29
14	5038ACJ00	0CBAST	PANNELLO FRONTALE 100 L	FRONT PANEL BOIL.PAN 100Lt	100 lt - EL, LOIPART From 2022/30
14	5038ACQ00	0CBASZ	PANNELLO FRONTALE 100 L	FRONT PANEL BOIL.PAN 100Lt	100 lt - EL AUTOM. From 2022/30
14	50389XY00	0C8054	PANNELLO FRONTALE 150 L	FRONT PANEL BOIL.PAN 150Lt	ELX - 150 lt - EL Up to 2022/29
14	50389Y400	0C7808	PANNELLO FRONTALE 150 L	FRONT PANEL BOIL.PAN 150Lt	ZAN, OEM - 150 lt - EL Up to 2022/29
14	5038ACK00	0CBASU	PANNELLO FRONTALE 150 L	FRONT PANEL BOIL.PAN 150Lt	150 lt - EL From 2022/30
14	5038ACR00	0CBAT0	PANNELLO FRONTALE 150 L	FRONT PANEL BOIL.PAN 150Lt	150 lt - EL AUTOM. From 2022/30
15	214473001	026187	PERNO FISSAGGIO SPORTELLINO	PIN, FIXING DOOR	
16	508837201	002534	SPORTELLINO, FORO D'ISPEZIONE	DOOR, INSPECTION HOLE	
16a	527843000	*	SPORTELLINO, VALVOLA GAS	DOOR, GAS VALVE	
17	529845502	0C0709	PANNELLINO RUBINETTONE	PANEL FOR DRAIN TAPE	Not Autoclave
18	524882302	0C0740	TAMBURO FUMI 100Lt.	CYLINDER, COMBUSTION 100Lt	100 lt
18	524882102	0C0741	TAMBURO FUMI 150Lt.	CYLINDER, COMBUSTION 150Lt	150 lt
19	528820303	*	ANELLO CHIUSURA FUMI	RING	
20	527839601	*	SQUADRETTA X ANELLO FUMI	BRACKET, RING	
21	508818601	0C0814	SQUADRETTA SUPPORTO CAMINO	BRACKET, CHIMNEY FIXING	
22	524884703	*	ELEMENTO ANT. CAMINO 100Lt	FRONT WALL CHIMNEY 100Lt	100 lt
22	524882802	*	ELEMENTO ANT. CAMINO 150Lt	FRONT WALL CHIMNEY 150Lt	150 lt
23	524884802	*	ELEMENTO POST. CAMINO 100Lt	BACK WALL CHIMNEY 100Lt	100 lt

PENTOLE INDIRETTE 100/150Lt E900XP
BOILING PAN INDIRECT HEATING 100/150Lt E900XP

Pos	Factory Code	Spare Code	Descrizione	Description	Ref./Notes
23	524882901	*	ELEMENTO POST.CAMINO 150Lt	BACK WALL CHIMNEY 150Lt	150 lt
24	527841202	*	DISTANZIALE PER CAMINO	SPACER FOR CHIMNEY	
25	835817102	056691	VALVOLA DI SICUREZZA	SAFETY VALVE	
26	282218301	051553	GUARNIZIONE	GASKET, SAFETY VALVE	
27	514895803	0C0710	RACCORDO	CONNECTION, SAFETY VALVE	Not for pos. F G o t
28	0335239101	051566	VALVOLA DEPRESSIONE	DEPRESSION VALVE	
29	0246005123	0C3448	GUARNIZIONE CELLULOSA, TURCHESE	CELLULOSE GASKET, TURQUOISE	
29a	0246173500	027300	GUARNIZIONE GOMMA OR	OR BLACK GASKET	
30	50389LP00	0C7333	GRIGLIA PER CAMINO	GRID FOR CHIMNEY	ELX, LOIPART
30	538841900	0C5624	GRIGLIA PER CAMINO	GRID FOR CHIMNEY	ZAN, OEM
31	310122725	027114	GRIGLIA DI SCARICO	DRAIN GRID	
32	858800100	0C1876	KIT ANTI-CORROSIONE	ANTICORROSIVE KIT	
34	516860700	0C0137	PIASTRINA PER GIUNZIONE	JOINTING REAR PLATE	
35	800833300	*	RINFORZO PER CERNIERA	REINFORCEMENT, HINGE	NOT AUTOCLAVE up to 5081...
35	50489SK00	0C0713	RINFORZO PER CERNIERA	REINFORCEMENT, HINGE	NOT AUTOCLAVE from 5091...
36	873838100	0C0714	COPERCHIO PENTOLA	LID, BOILING PAN	NOT AUTOCLAVE
37	853891400	0C2072	MANIGLIA PENTOLA	HANDLE, LID	ELX, LOIPARTNOT AUTOCLAVE
37	517876502	0C0691	MANIGLIA PENTOLA	HANDLE, LID	ZAN NOT AUTOCLAVE
38	517856900	004468	DISTANZIALE PER MANIGLIA	SPACER FOR HANDLE	
38a	217223605	0C0950	VITE PER DISTANZIALE	SCREW, SPACER	
39	800814505	006181	SUPPORTO COPERCHIO	SUPPORT, LID	NOT AUTOCLAVE
40	800823302	006926	COPERTURA SUPPORTO	COVERING, SUPPORT	NOT AUTOCLAVE
41	805878802	006925	RINFORZO COPERCHIO	REINFORCEMENT, LID	NOT AUTOCLAVE
42	217224125	0C2776	VITE FERMO MOLLA / CERNIERA	SCREW, SPRING LOCK	NOT AUTOCLAVE
43	514894501	059518	MOLLA	SPRING	NOT AUTOCLAVE
43	516804700	002981	MOLLA	SPRING	AUTOCLAVE
44	514894802	059862	ASSE PER CERNIERA	PIN, HINGE	NOT AUTOCLAVE
45	516804500	002982	FERMO PER MOLLA	LOCK, SPRING	
46	514894303	059864	BLOCCO CERNIERA	LOCK, HINGE	
47	516804600	002983	BLOCCO REGOLAZIONE MOLLA	LOCKNUT, ADJUSTING SPRING	
48	514894602	002944	SUPPORTO CERNIERA	SUPPORT, HINGE	
49	514895002	059859	VITE PER SUPPORTO CERNIERA	SCREW, SUPPORT HINGE	
50	514894701	059860	VITE PER ASSE CERNIERA	SCREW, PIN HINGE	
51	0874849408	059866	COPERCHIO AUTOCLAVE	LID, AUTOCLAVE BOILING PAN	AUTOCLAVE Up to 2020/48
51	087589DN01	0CB896	COPERCHIO AUTOCLAVE	LID, AUTOCLAVE BOILING PAN	AUTOCLAVE From 2020/49
52	0835876F00	0C7923	MANIGLIA COPERCHIO AUTOCLAVE	HANDLE, LID AUTOCLAVE	AUTOCLAVE Up to 2020/48
52	0835876L00	0CB895	MANIGLIA COPERCHIO AUTOCLAVE	HANDLE, LID AUTOCLAVE	AUTOCLAVE From 2020/49
53	835801801	052623	VALVOLA SCARICO FUMANA	SAFETY VAVLE	AUTOCLAVE
54	246173500	027300	GUARNIZIONE PER VALVOLA	GASKET	
56	204751901	025220	CALOTTA PER VALVOLA	CAP, VALVE DRAIN	AUTOCLAVE
57	569805200	*	GUARNIZIONE COPERCHIO	GASKET, LID	AUTOCLAVE
58	315280901	010142	VOLANTINO	HANDWHEEL	AUTOCLAVE
59	214063000	010147	VITE VOLANTINO	SCREW, HANDWHEEL	AUTOCLAVE
60	514802002	052614	VITE FISSAGGIO COPERCHIO	SCREW, FIXING TO LID	AUTOCLAVE
61	514802301	052616	PERNO	PIN	AUTOCLAVE
62	511800201	052612	BRACCIO ROTANTE	ROTATING ARM	AUTOCLAVE

PENTOLE INDIRETTE 100/150Lt E900XP
BOILING PAN INDIRECT HEATING 100/150Lt E900XP

Pos	Factory Code	Spare Code	Descrizione	Description	Ref./Notes
63	514802201	052615	GHIERA	RING NUT	AUTOCLAVE
64	167098086	003363	GRASSO PER PERNO COPERCHIO	GREASE FOR LID	
65	514872501	0C0705	DADO CIECO 3/4" SCARICO INTERC.	CAP NUT 3/4" DRAIN INTERSPACE	
66	543817900	002869	GUARNIZIONE SCARICO INTERCAP.	GASKET, DRAIN INTERSPACE	
67	806823000	*	TUBO ISOLAMENTO SCARICO INTER.	INSULATION PIPE, DRAIN INTERSP.	
68	529845202	0CB670	SUPPORTO BRUC.-PILOTA	SUPPORT BURNER - PILOT	
69	214108111	041155	DADO, RIBALTA	NUT	
70	560841401	0CBAIG	ISOLAMENTO FONDO	BOTTOM INSULATION	
71	560841103	*	ISOLAMENTO PENTOLA 100Lt	INSULATION BOILING PAN 100Lt	100 lt
71	560841003	0C5123	ISOLAMENTO PENTOLA 150Lt	INSULATION BOILING PAN 150Lt	150 lt
72	835819901	002903	VALVOLA GAS	GAS VALVE	
73	215073101	060325	BICONO	DOUBLE CONE	
74	517866200	006622	RACCORDO A "L" 18 - 1/2, RIBALTA	NIPPLE, 1/2" DIAM. 18, PIPE	
75	805899H04	0C6379	TUBO ENTRATA GAS	INLET PIPE, GAS	
75a	543844C00	0C6404	GUARNIZIONE OR4106 DI 26.58 X S. 3.53 - NBR 70 SHA	OR GASKET 4106 DI 26.58 X S. 3.53 - NBR 70 SHA	
76	805899L01	0C6378	RIBALTA 100Lt	PIPE , GAS VALVE - BURNER 100Lt	100 lt
76	805899J02	0C6366	RIBALTA 150Lt	PIPE , GAS VALVE - BURNER 150Lt	150 lt
77	830894702	0C0743	BRUCIATORE	BURNER	
78	830828001	054039	AREATORE REGOLAZIONE ARIA	AERATOR	
79	514829700	054118	PORTAUGELLO	NOZZLE HOLDER	
80	506833401	054029	GUARNIZIONE UGELLO	GASKET, NOZZLE	
81	214105101	020997	CONTRODADO PORTAUGELLO	LOCK NUT, NOZZLE HOLDER	
82	830897501	0C0744	PILOTA	PILOT	
83	517875202	0C0745	CONDUTTURA PILOTA 100Lt	PILOT PIPE 100Lt	100 lt
83	517875102	0C0746	CONDUTTURA PILOTA 150Lt	PILOT PIPE 150Lt	150 lt
84	214164400	052125	RACCORDO M10X1 DIAM 4	NIPPLE, M10X1 DIAM 4	
85	215199700	052127	BICONO SPEC.DA 4	BICONICAL RING, DIAM.4	
86	515827401	053665	BICONO DIAM.4	BICONICAL RING, DIAM.4	
87	831818901	0C3162	TERMOCOPPIA INTERROTTA	THERMOCOUPLE INT.	
88	330272401	052610	ELETTRODO DI ACCENSIONE	ELECTRODE, IGNITION	
89	214164101	057960	RACCORDO FISS. CANDELA	NIPPLE, ELECTRODE	
90	0835823600	0CBCEG	FASCETTA	HOSE CLAMP	
91	835866201	0C1450	RUBINETTO DI LIVELLO	TAP, LEVEL JACKET	
92	516875001	0C1451	BORCHIETTA PER RUBINETTO	FIXING RING, TAP	
93	856841701	0S0950	BOCCHETTONE SCARICO COMPLETO	DRAIN VALVE COMPLETE	Up to 2021/11 Refer to dedicated page
93	856841702	0CA949	BOCCHETTONE SCARICO COMPLETO	DRAIN VALVE COMPLETE	From 2021/12 Refer to dedicated page
94	516861001 (22901225)	0C0716	CONTRODADO PER RUBINETTONE	LOCK NUT, DRAIN TAPE	Refer to dedicated page
95	022152300 (34012781)	004986	GUARNIZIONE	GASKET, DRAIN TAPE	60x49- Refer to dedicated page
96	0211794613	051521	EROGATORE ACQUA	WATER TAP	Up to 2020/47
96	0831841001	0CB871	EROGATORE ACQUA	WATER TAP	From 2020/48
97	543800600	052779	GUARNIZIONE OR	OR GASKET, WATER DISTRIB.	
98	830896401	0C6107	CONDUTTURA CARICO ACQUA	PIPE, DISTRIBUTOR	
99	140068008	002707	TUBO GOMMA CORAZZATO	FEEDING PIPE	
100	544615700	047431	RACCORDO A Y	CONNECTION Y	DRA
101	835823600	0CBCEG	FASCETTA	HOSE CLAMP	

PENTOLE INDIRETTE 100/150Lt E900XP
BOILING PAN INDIRECT HEATING 100/150Lt E900XP

Pos	Factory Code	Spare Code	Descrizione	Description	Ref./Notes
102	696805700	0C3254	ELETTRORVALVOLA	MAGNETIC VALVE	
104	696805000	0C0938	ELETTRORVALVOLA	MAGNETIC VALVE	
107	511820700	0C1449	RACCORDO T	CONNECTION T	
108	830895600	0C0712	MANOMETRO	MANOMETER	
109	830866802	059521	CAPILLARE PER MANOMETRO	CAPILLARY, MANOMETER	
110	641802400	059544	COMMUTATORE 4 POSIZIONI	SWITCH 4 POSITION	Up to 5231...
110	641805401	0C9180	COMMUTATORE 4 POSIZIONI	SWITCH 4 POSITION	From 5241...
111	699802200	055016	REGOLATORE DI ENERGIA	ENERGY REGULATOR	
112	876800201	0C0687	LAMPADA ROSSA	RED LAMP	
113	876800002	005010	LAMPADA VERDE	GREEN LAMP	
114	511850G01	0C6670	MANOPOLA	KNOB	ELX, LOIPART
114	548864302	0C3218	MANOPOLA PER VALVOLA GAS	KNOB FOR GAS VALVE	ELX
114	548856800	0C0257	MANOPOLA	KNOB	ZAN
114	548864302	0C3218	MANOPOLA PER VALVOLA GAS	KNOB FOR GAS VALVE	ZAN
114	548865500	0A5621	MANOPOLA	KNOB	OEM
114	548864302	0C3218	MANOPOLA PER VALVOLA GAS	KNOB FOR GAS VALVE	OEM
114a	548877V00	0C7345	ADATTATORE MANOPOLA	KNOB ADAPTER	ELX, LOIPART
115	214590701	025245	MOLLETTA PER MANOPOLA	SPRING, KNOB	
116	543821000	053816	GUARNIZIONE PER MANOPOLA	GASKET, KNOB	
117	548877B00	0C7526	GHIERA CARICO ACQUA	KNOB RING, WATER REFILL	ELX, LOIPART
117	548863601	0C0711	GHIERA CARICO ACQUA	KNOB RING, WATER REFILL	ZAN, OEM
118	548877T00	0C7344	GHIERA REGOLATORE DI ENERGIA	KNOB RING, ENERGY REGULATOR	ELX, LOIPART
118	548859001	0C0318	GHIERA REGOLATORE DI ENERGIA	KNOB RING, ENERGY REGULATOR	ZAN, OEM
119	218912211	069567	MOLLETTA PER GHIERA	SPRING, KNOB RING	
120	543821000	053816	GUARNIZIONE MANOPOLA	GUARNIZIONE MANOPOLA	
121	548864302	0C3218	PROLUNGA MANOPOLA VALVOLA	KNOB EXTENSION, GAS VALVE	GAS
122	624804700	004240	ACCENDITORE	LIGHTER	GAS
123	830831400	054539	CONSENSO ACC. VALVOLA	MICRO VALVE	GAS
124	544802200	*	PRESSACAVO	TOGHTENER CORD	GAS
125	639804900	046357	MORSETTIERA	MAIN TERMINAL	GAS
126	527842300	*	SUPPORTO MORSETTIERA	SUPPORT MAIN TERMINAL	GAS
127	652800401	056582	PORTAFUSIBILE	HOLDER, FUSE	GAS
128	452140500	057783	FUSIBILE 4A 250V	FUSE, 4A 250V	GAS
129	694601000	046217	FILTRO ANTIDISTURBO	FILTER	GAS
130	646813200	0C0999	TERMOSTATO DI SICUREZZA	SAFETY THERMOSTAT	GAS
131	639810200	0C0717	FASCETTA PER FISS. CAVO ALIM.	HOSE CLAMP, FIXING CABLE	GAS
132	-	0K3020	BOBINA VALV. SIT 220/240V 50HZ	COIL GAS VALVE SIT 220/240V 50HZ	GAS
133	646815500	0C4083	PRESSOSTATO	PRESSURE SWITCH	Up to 2022/29 Order 0CBAWH See TB PDX2022_02
133	646815500	0C4083	PRESSOSTATO	PRESSURE SWITCH	Up to 2022/29 AUTOMATIC Order 0CBAWJ See TB PDX2022_02
133	646817T00	0CBAQV	PRESSOSTATO	PRESSURE SWITCH	From 2022/30
134	527860900	0CA403	SUPPORTO PRESSOSTATO / GICAR	SUPPORT, PRESSURE SWITCH/GICAR	Up to 2022/29 AUTOMATIC
134	527842102	0C7083	SUPPORTO PRESSOSTATO	PLATE,PRESSURE SWITCH	Up to 2022/29
134	50589Q501	0CBAT8	SUPPORTO PRESSOSTATO	SUPPORT, PRESSURE SWITCH	From 2022/30
135	517881700	0C6391	CONDUTTURA PRESSOSTATO	PIPE, PRESSURE SWITCH	Up to 2022/29
135	517887301	0CA127	CONDUTTURA PRESSOSTATO	PIPE, PRESSURE SWITCH	Up to 2022/29 AUTOMATIC
135	51589DH01	0CBASL	CONDUTTURA PRESSOSTATO	PIPE, PRESSURE SWITCH	From 2022/30

PENTOLE INDIRETTE 100/150Lt E900XP
BOILING PAN INDIRECT HEATING 100/150Lt E900XP

Pos	Factory Code	Spare Code	Descrizione	Description	Ref./Notes
135	51589DJ01	0CBASM	CONDUTTURA PRESSOSTATO	PIPE, PRESSURE SWITCH	From 2022/30 AUTOMATIC
136	515863500	0C0888	RACCORDO	NIPPLE	
137	51689A800	0CB036	BICONO DI TENUTA DIAM.6	DOUBLE CONE DIAM.6	
138	511820700	0C1449	RACCORDO T	"T" UNION PIPE	
139	51489GN00	*	RACCORDO A RESCA	NIPPLE	
140	835825500	058258	VALVOLA DI RITEGNO	NON RETURN VALVE	
141	511819600	0CA744	RIDUZIONE	REDUCTION UNION PIPE	
142	517887001	0C0936	CONDUTTURA ELETTR.-LIVELLO MAX	PIPE, MAGN.VALVE - MAX LEVEL	
143	511819700	0C5396	RACCORDO A L	"L" UNION PIPE	
144	511819900	0CB037	TAPPO MASCHIO ART A7 FIL ¼ OT CRT METALWORK	MALE PLUG	80/100LT AUTOM.
145	831812100	0C0940	BOTTIGLIA CONTROLLO DI LIVELLO	BOTTLE, CONTROL LEVEL	
146	83089RT00	0CBCMU	SONDA H60	PROBE H60	80/100LT AUTOM.
146	83089RU00	0CBCMF	SONDA H175	PROBE H175	100/150LT AUTOM.
147	516873100	0C5234	DISTANZIALE	SPACER	
148	517887202	0C0935	CONDUTTURA SFIATO BOTTIGLIA	PIPE, BOTTLE	
149	517887701	0C1565	CONDUTTURA LIVELLO INF. 100Lt	PIPE, DRAIN JACKET - BOTTLE 100Lt	80/100LT AUTOM.
149	517887102	0C0941	CONDUTTURA LIVELLO MIN-BOTT.150Lt	PIPE, MIN LEVEL - BOTTLE 150Lt	100/150LT AUTOM.
150	230803004	*	TAPPO 1/2"	TAP 1/2"	80/100LT AUTOM.
151	230134304	*	GOMITO	UNION ELBOW	80/100LT AUTOM.
152	646813400	0C0937	REGOLATORE DI LIVELLO GICAR	GICAR, LEVER REGULATOR	AUTOMATIC
153	511818100	0C1040	"T"	"T" UNION PIPE	80/100LT AUTOM
154	511820000	0CB035	NIPPLO N8 ¼ GAS UNI 5192-86	NIPPLE N8 ¼ GAS	
155	050589Q600	0CBAQW	SUPPORTO CONTROLLO DI LIVELLO	LEVEL CONTROL SUPPORT	From 2022/30 AUTOMATIC
156	0518817400	0C5030	WASHER Ø.13.9 X Ø.28 X AISI 430	RONDELLA Ø.13.9 X Ø.28 X AISI 430	From 2022/30
157	063889BG00	0CBAUA	CABLE ADAPTER FOR NEW PRESSOSTAT	CABLAGGIO ADATTATORE	From 2022/30
158	051689B100	0CBAT9	HEX NUT G1/4 F X NOSE CONE	DADO ESAGONALE G1/4 F	From 2022/30
172	639805301	058608	MORSETTIERA PORTAFUSIBILE	MAIN TERMINAL	EL
172	639806600	006854	MORSETTIERA PORTAFUSIBILE	MAIN TERMINAL	EL LOIPART - j
173	452140500	057783	FUSIBILE AUSILIARIO 4 A-250 V.	FUSE 4A - 250V	EL
174	648807700	007080	CONTATTORE	CONTACTOR	EL
175	617839800	0C6470	RESISTENZA 10.75KW 230V	HEATING ELEMENT 10.75kW 230V	EL
175	61783B400	0CBAYS	RESISTENZA 10.75KW 230V	HEATING ELEMENT 10.75kW 230V	EL LOIPART - j
176	543800700	046213	GUARNIZIONE PER RESISTENZA	GASKET, HEATING ELEMENT	EL
182	544802400	0C3528	PRESSACAVO	TOGHTENER CORD	EL
183	646809100	004862	TERMOSTATO DI SICUREZZA	SAFETY THERMOSTAT	EL
184	0211794613	051521	EROGATORE ACQUA	WATER TAP	EL - Up to 2020/47
184	0831841001	0CB871	EROGATORE ACQUA	WATER TAP	EL - From 2020/48
185	639810200	0C0717	FASCETTA FISSAGGIO CAVO ALIM.	HOSE CLAMP, FIXING CABLE	EL

Electrolux Professional SpA
Viale Treviso, 15
33170 Pordenone, ITALY
Fax (+39) 0434 380 201
<https://www.electroluxprofessional.com>
<https://webgate.electroluxprofessional.com>