

## BRASIERA ELETTRICA RIBALTABILE E700XP ELECTRIC TILTING BRASING-PAN E700XP

PNC	Model	Ref	Brand	Version	Notes
190EAK	E7BREHDNFX	H	EPR	EL	60LT EL.TILT.BRAISING PAN-DUOMAT BOTTOM
190EB9	E7BREHDNFX	G	EPR	EL	60LT EL.TILT.BRAISING PAN-DUOMAT BOTTOM
190EL5	E7BREHDNFX	K	EPR	EL	60LT EL.TILT.BRAISING PAN-DUOMAT BOTTOM
190EN4	E7BREHDNFX	O	EPR	EL	60LT EL.TILT.BRAISING PAN-DUOMAT BOTTOM
190EP0	E7BREHDNFX	L	EPR	EL	60LT EL.TILT.BRAISING PAN-DUOMAT BOTTOM
190F55	A7BREHDNFX	M	To Brand	EL	60LT EL.TILT.BRAISING PAN-DUOMAT BOTTOM
190F0D	E7BREHDNFX	N	EPR	EL	60LT EL.TILT.BRAISING PAN-DUOMAT BOTTOM
190GCW	E7BREHDNFX	P	EPR	EL	60LT EL.TILT.BRAISING PAN-DUOMAT BOTTOM
371182	E7BREHMNFX	A	EPR	EL	60LT MILD ST.BOTTOM
371183	E7BREHDNFX	B	EPR	EL	60LT DUOMAT BOTTOM
<b>371356</b>	<b>E7BREHDNFX</b>	<b>B</b>	<b>EPR</b>	<b>EL</b>	<b>60LT EL.TILTING BRATT PAN-DUPLEX-WATERMARK</b>
372182	Z7BREHMNFX	C	ZAN	EL	60LT MILD ST.BOTTOM
372183	Z7BREHDNFX	D	ZAN	EL	60LT DUOMAT BOTTOM
<b>372356</b>	<b>Z7BREHDNFX</b>	<b>D</b>	<b>ZAN</b>	<b>EL</b>	<b>60LT EL.TILTING BRATT PAN-DUPLEX-WATERMARK</b>
373182	A7BREHMNFX	E	OEM	EL	60LT MILD ST.BOTTOM
373183	A7BREHDNFX	F	OEM	EL	60LT DUOMAT BOTTOM
<b>373356</b>	<b>A7BREHDNFX</b>	<b>F</b>	<b>OEM</b>	<b>EL</b>	<b>60LT EL.TILT.BRAISING PAN-DUOMAT -WATERMARK</b>
<b>373369</b>	<b>L7BREHDNF5</b>	<b>J</b>	<b>LOIPART</b>	<b>EL</b>	<b>60LT EL.TILTING BRAISING PAN-DUOMAT BOTTOM, LOIPART</b>

### Index

Main view / Vista generale  
Tilting mechanics / Meccanica ribaltamento  
Electric components / Componenti elettrici  
Spare parts list / Lista ricambi

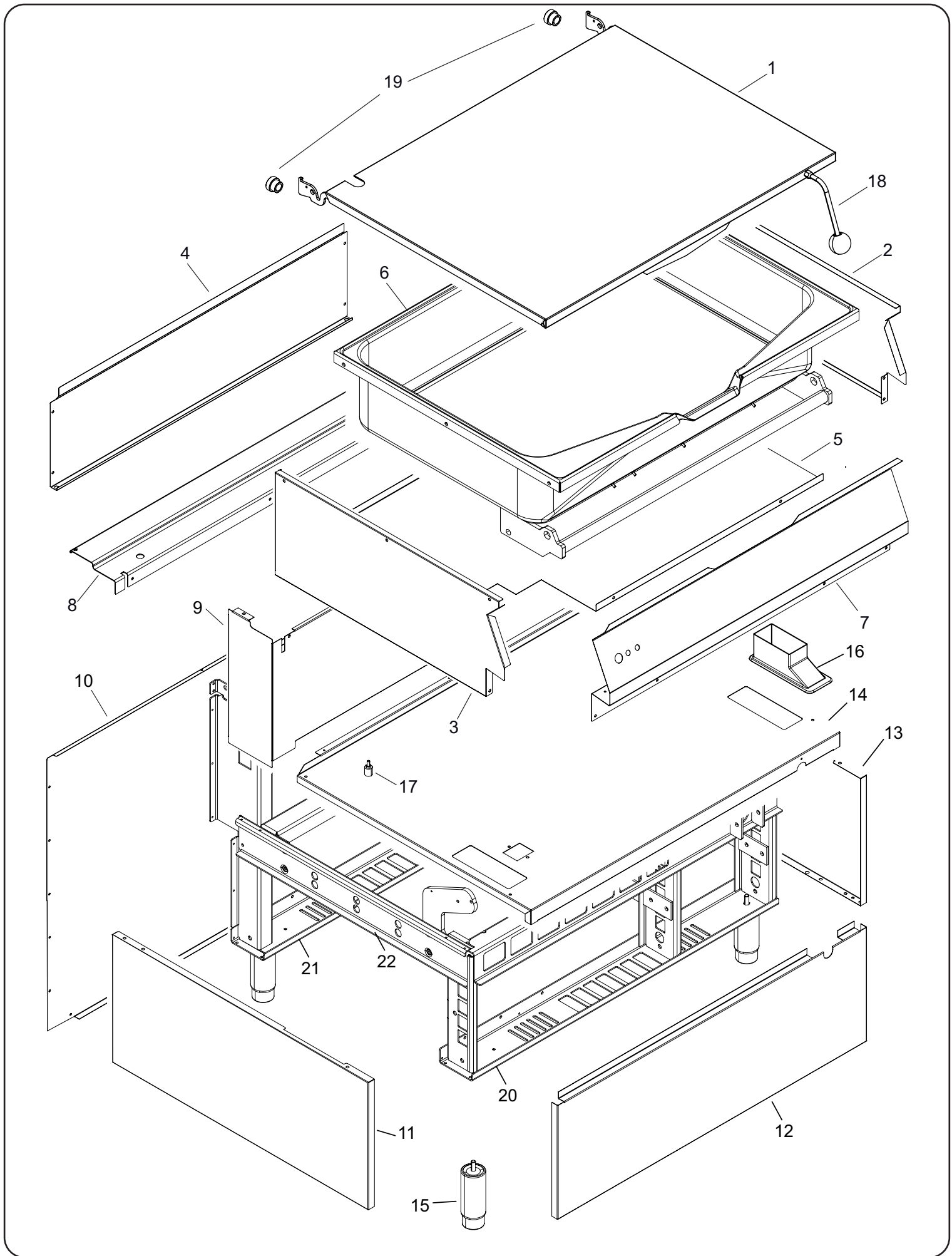
### Page

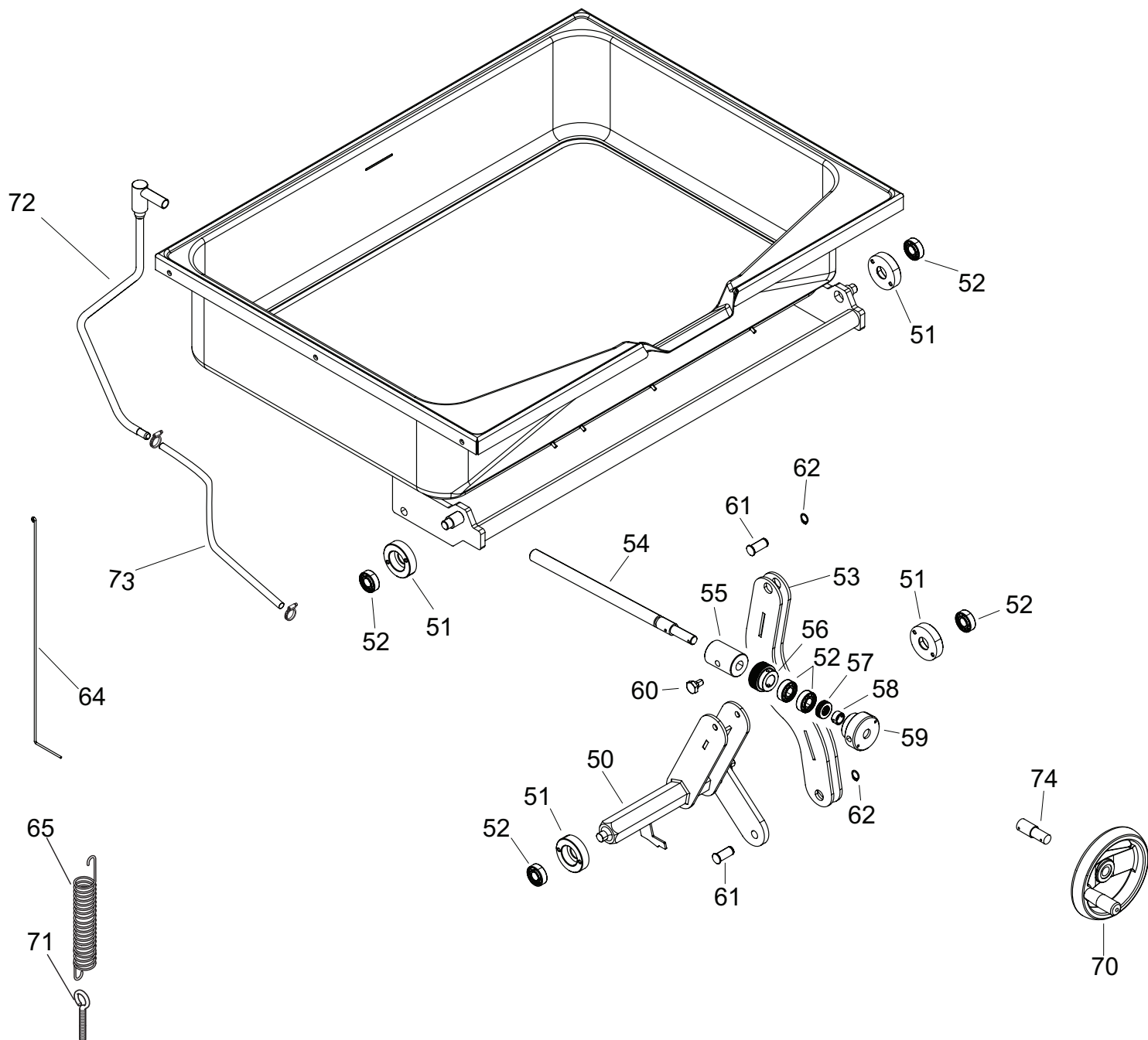
2  
3  
4  
5-6

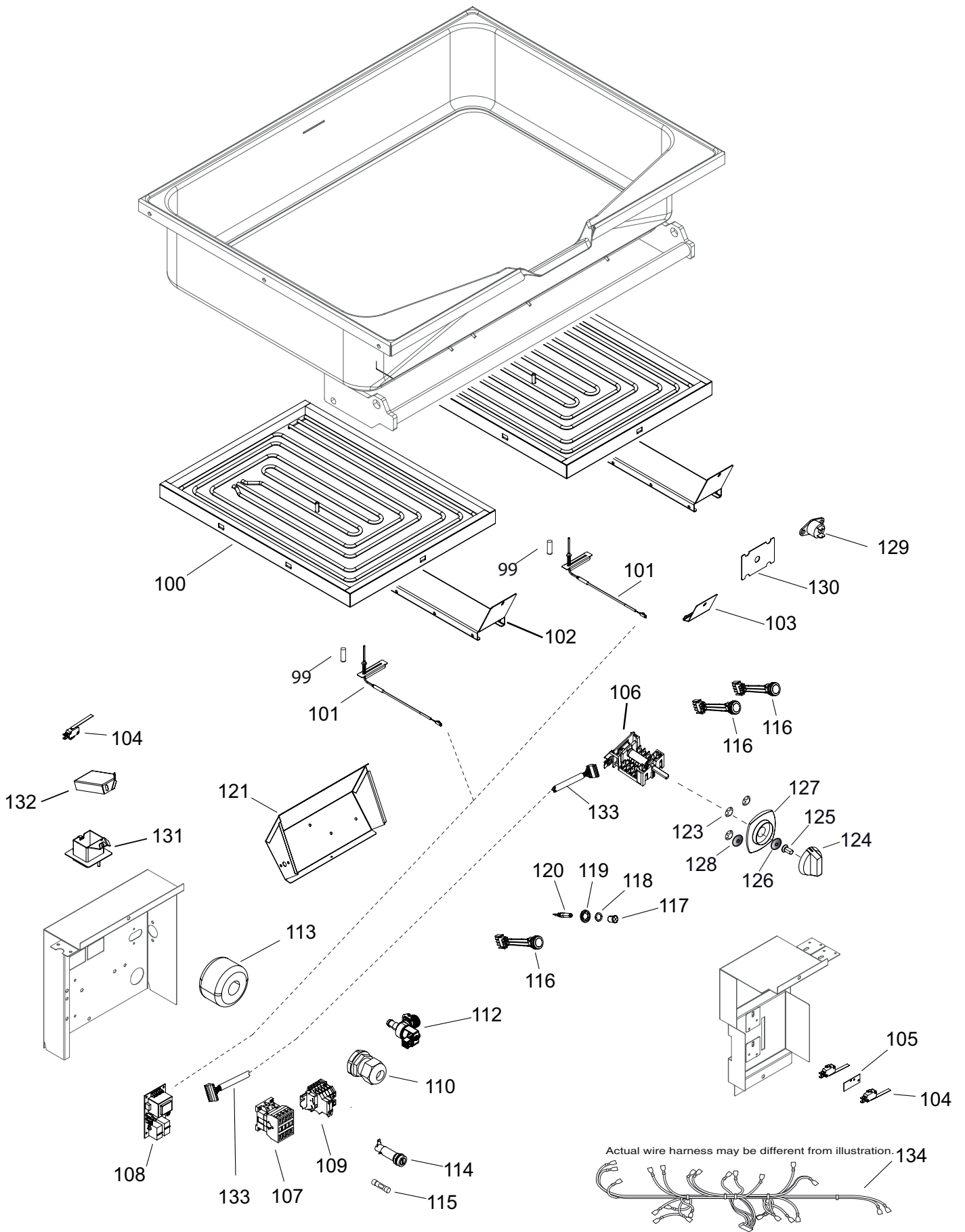
**Bold=last change / Grassetto =ultima modifica**

Rev. 4

From Ser. Nr. 201 Up to Ser. Nr.	Ed. 2018-02 Updated 2025-01	Page: 1	<b>Doc No:59785Q600</b>
-------------------------------------	--------------------------------	---------	-------------------------







BRASIERA ELETTRICA RIBALTABILE E700XP  
ELECTRIC TILTING BRASING-PAN E700XP

Pos	Factory Code	Spare Code	Descrizione	Description	Ref./Notes
1	87089NV00	0C8505	ASSIEME COPERCHIO	COMPLETE LID	60lt
2	5038A7801	0CA151	FIANCO DX VASCA	WELL SIDE PANEL, LEFT	
3	5038A7700	*	FIANCO SX VASCA	WELL SIDE PANEL, RIGHT	
4	50389MU01	0CB291	SCHIENALE VASCA	WELL BACK PANEL	
5	5038A7900	*	FONDO RIVESTIMENTO VASCA	WELL BOTTON PANEL	
6	87589BY02	0C8506	ASSIEME VASCA DUOMAT	WELL, BRAT PAN DUOMAT	B,D,F,G,H,K,L,M, N,O,P
6	87589C102	0C8507	ASSIEME VASCA FERRO	WELL, BRAT PAN MILD STEEL	A,C,E
7	83089G107	0C8393	CRUSCOTTO	CONTROL PANEL	A,B,G,H,K,L,N,O,P
7	83089GA06	0C8400	CRUSCOTTO	CONTROL PANEL	C,D
7	83089GK07	0C8407	CRUSCOTTO	CONTROL PANEL	E,F,J,M
8	5038A7500	*	PANNELLO POSTERIORE RIPIANO	WORK TOP BACK PANEL	
9	5038A7401	*	SCHIENALE VASCA	WELL BACK PANEL	
10	50389N200	*	SCHIENALE BASE	BACK PANEL	
11	5038A7201	*	FIANCO BASE SINISTRO	SIDE PANEL, LEFT	
12	50389W401	0C9018	PANNELLO ANTERIORE	FRONT PANEL	
13	5038A7301	*	FIANCO BASE DESTRO	SIDE PANEL, RIGHT	
14	50389N201	0CA155	PANNELLO COPERTURA BASE	COVER PANEL	
15	835856900	0C0204	PIEDE	FOOT	
15	<b>806844600</b>	<b>0C3324</b>	<b>PIEDE</b>	<b>FOOT</b>	<b>J,K,L,N</b>
16	<b>541813C02</b>	<b>0C8680</b>	<b>PROTEZIONE CERNIERA</b>	<b>HINGE COVER</b>	
17	315252601	026806	PIEDINO IN GOMMA	FOOT RUBBER	
18	51489B800	0C8426	MANIGLIA E POMMELLO	LID HANDLE AND KNOB	
19	51489BC00	0CB136	BOCCOLA COPERCHIO	LID BUSH	
20	<b>083089DW04</b>	<b>0TTMUN</b>	<b>ASSIEME STRUTTURA ANTERIORE</b>	<b>FRONT FRAME ASSEMBLY</b>	<b>IRON</b>
20	<b>083089QD00</b>	<b>0CB852</b>	<b>ASSIEME STRUTTURA ANTERIORE</b>	<b>FRONT FRAME ASSEMBLY</b>	<b>AISI 304</b>
21	<b>083089DY06</b>	<b>0TTMUO</b>	<b>ASSIEME STRUTTURA POSTERIORE</b>	<b>REAR FRAME ASSEMBLY</b>	<b>IRON</b>
21	<b>083089QG00</b>	<b>0CB854</b>	<b>ASSIEME STRUTTURA POSTERIORE</b>	<b>REAR FRAME ASSEMBLY</b>	<b>AISI 304</b>
22	<b>050489HP02</b>	<b>0TTIWL</b>	<b>TRAVERSA LATERALE</b>	<b>SIDE CROSSPIECE</b>	<b>IRON - ORDER 2 PCS</b>
22	<b>05048A0G00</b>	<b>0CC038</b>	<b>TRAVERSA LATERALE</b>	<b>SIDE CROSSPIECE</b>	<b>AISI 304 - ORDER 2 PCS</b>
50	85589CC01	0C7406	ASSIEME LEVA SOLLEVAMENTO	LEVEL, TILTING	
51	516864901	0C4332	SUPPORTO CUSCINETTO	BEARING SUPPORT	
52	835834700	056820	CUSCINETTO RADIALE	RADIAL BEARING	
53	85589CD00	0C7399	ASSIEME PUNTORE	STRUT	
54	51489B902	0C7891	VITE	SCREW	
55	516865301	0C0675	MADREVITE	DIE	
56	51489BA00	*	PULEGGIA	PULLEY	
57	835834600	056821	CUSCINETTO ASSIALE	AXIAL BEARING	
58	51489B701	0C7408	BOCCOLA	BUSH	
59	51489BP00	*	SUPPORTO VITE	SCREW SUPPORT	
60	214126800	051365	PERNO	PIN	
61	51489B600	0C7407	PERNO	PIN	
62	219001411	0C5172	SEEGER	SEEGER	
64	51489BB00	*	ASTA MICRO COPERCHIO	SHAFT FOR COVER MICRO	
65	516865201	0C0666	MOLLA PER COPERCHIO	PRING LID	
70	835829000	0A5164	VOLANTINO	CRANK	
71	A05144900	0A2551	OCCHIELLO	SCREW, SPRING	
72	83089H500	0C8504	ASSIEME GETTO EROGATORE	TAP, WATER	

BRASIERA ELETTRICA RIBALTABILE E700XP  
ELECTRIC TILTING BRASING-PAN E700XP

Pos	Factory Code	Spare Code	Descrizione	Description	Ref./Notes
73	544819400	0C5829	TUBO EPDM	EPDM PIPING	
74	51489BG01	0C7563	PROLUNGA VOLANTINO	EXTENSION CRANK	
99	569807M00	0C8674	TUBETTO IN STEATITE	CERAMIC TUBE	
100	617839C00	0C8503	RESISTENZA 4,75 kW	HEATING ELEMENT 4,75KW	
<b>100</b>	<b>61783B100</b>		<b>RESISTENZA 4,75 kW</b>	<b>HEATING ELEMENT 4,75KW</b>	<b>G,H,K,M,O,P</b>
<b>100</b>	<b>61783B200</b>	<b>0CBAYB</b>	<b>RESISTENZA 4,75 kW</b>	<b>HEATING ELEMENT 4,75KW</b>	<b>J</b>
101	831857800	0C7421	TERMOCOPPIA	THERMOCOUPLE	
<b>102</b>	<b>50489M301</b>	<b>0CA164</b>	<b>SUPPORTO RESISTENZA</b>	<b>HEATING ELEMENT SUPPORT</b>	
103	50689BH01	0CA106	PIASTRINA FISSAGGIO LIMITATORE	LIMITER FIXING PLATELET	
104	640800800	053671	MICROINTERRUTTORE	MICROSWITCH	
105	246214023	045404	PIASTRINA ISOLANTE	INSULATION PLATELET	
106	641805200	0C7415	INTERRUTTORE+POTENZIOMETRO	SWITCH + POTENTIOMETER	
107	648807400	006879	CONTATTORE K3 18A	CONTACTOR	
<b>107</b>	<b>648613200</b>	<b>0L0355</b>	<b>CONTATTORE K3-24A00 230</b>	<b>CONTACTOR</b>	<b>K</b>
<b>107</b>	<b>648400W00</b>	<b>0CK231</b>	<b>CONTATTORE K3-18ND 10 "190"</b>	<b>CONTACTOR</b>	<b>K</b>
108	675860000	0C7416	SCHEDA CONTROLLO TERMOCOPPIE	THERMOCOUPLE BOARD	
109	639806600	006854	MORSETTIERA	TERMINAL BOARD	
<b>109</b>	<b>639813P00</b>		<b>MORSETTIERA</b>	<b>TERMINAL BOARD</b>	<b>L,N</b>
110	544802400	0C3528	PRESSACAVO	FAIRLEAD	
112	696807401	0C4984	ELETTRORVALVOLA ACQUA	WATER VALVE	
<b>113</b>	<b>624811A00</b>	<b>0CA580</b>	<b>TRASFORMATORE</b>	<b>TRANSFORMER</b>	<b>J,L,N</b>
114	652800401	056582	PORTAFUSIBILE	FUSE HOLDER	
<b>114</b>	<b>652806800</b>	<b>0CB083</b>	<b>PORTAFUSIBILE</b>	<b>FUSE HOLDER</b>	<b>J</b>
115	452140500	057783	FUSIBILE 5x20	FUSE	
<b>115</b>	<b>652806700</b>	<b>0CB082</b>	<b>FUSIBILE</b>	<b>FUSE</b>	<b>J,L,N</b>
116	640804D00	0C7559	PULSANTE	PUSH BOTTON	Untill 218 tb PDX2012-02
116	640804D01	0C8677	PULSANTE	PUSH BOTTON	From 219 tb PDX2012-02
117	655800100	*	LENTE VERDE	GREEN LENS	
117	655800200	0C2182	LENTE ARANCIO	ORANGE LENS	
118	543826400	0C2183	OR	OR	
119	527815500	0C2184	PIASTRINA FISSAGGIO	FIXING FLANGE	
120	660806900	0C2585	LAMPADINA	LAMP	
*	876800002	005010	ASSIEME LAMPADA VERDE	COMPLETE LAMP, GREEN	
*	876800102	005011	ASSIEME LAMPADA ARANCIO	COMPLETE LAMP, ORANGE	
<b>121</b>	<b>50489JH01</b>	<b>0CBAB9</b>	<b>PROTEZIONE COMP. EL.</b>	<b>ELECTRICAL CASE PROTECTION</b>	
123	218912211	069567	MOLLETTA PER GHIERA	RING, RING KNOB	
124	511850G01	0C6670	MANOPOLA	KNOB	A,B,H,J,K,L,N,O,P
124	548878201	0C7232	MANOPOLA	KNOB	C,D,G
124	548865500	0A5621	MANOPOLA	KNOB	E,F,M
125	548877V00	0C7345	ADATTATORE MANOPOLA	KNOB ADAPTER	A,B,J,K,L,N,O,P
126	543821000	053816	GUARNIZIONE MANOPOLA	KNOB GASKET	
127	54887A601	0C8194	GHIERA	RING, KNOB	A,B,H,J,K,L,N,O,P
127	54887A900	0C8195	GHIERA	RING, KNOB	C,D,E,F,G,M
128	541813800	0C6171	RONDELLA IN SILICONE	SILICONE WASHER	
129	646814700	0KL023	TERMOSTATO SIC. CLICKSON	SAFETY THERMOSTAT CLICKSON	activation 250C°
130	50689BY00	*	PIASTRINA FISSAGGIO CLICKSON	CLICKSON PLATELET	
131	50489JT01	*	PROTEZIONE CAVI	WIRING PROTECTION	
132	507899P00	*	COPERCHIO PROTEZIONE CAVI	COVER WIRING PROTECTION	

BRASIERA ELETTRICA RIBALTABILE E700XP  
ELECTRIC TILTING BRASING-PAN E700XP

Pos	Factory Code	Spare Code	Descrizione	Description	Ref./Notes
133	*	0C9773	CAVETTO SELETTORE/SPARTA	CABLE SELECTOR/SPARTA	Just indicated cable
134	*	*	ASSIEME CABLAGGIO MACCHINA	COMPLETE WIRING HARNESS	Available upon request with PNC
*	<b>080589FC00</b>	<b>0CB801</b>	<b>KIT WATERMARK</b>	<b>WATERMARK KIT</b>	