

SPARE PARTS CATALOGUE
CATALOGO PARTI DI RICAMBIO

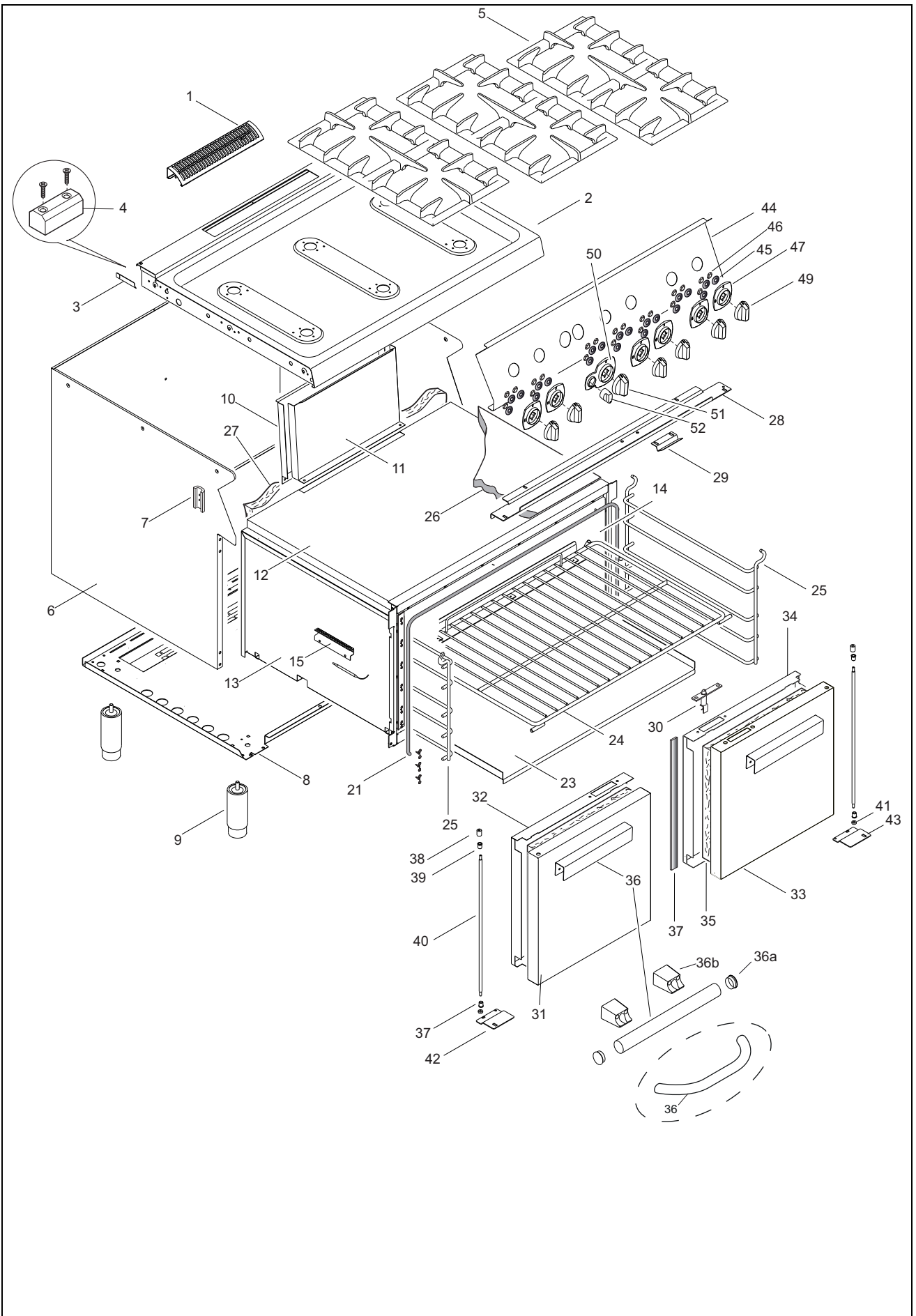
6 FUOCHI SU FORNO GRANDE 700XP
6 GAS BURNERS ON LARGE OVEN 700XP

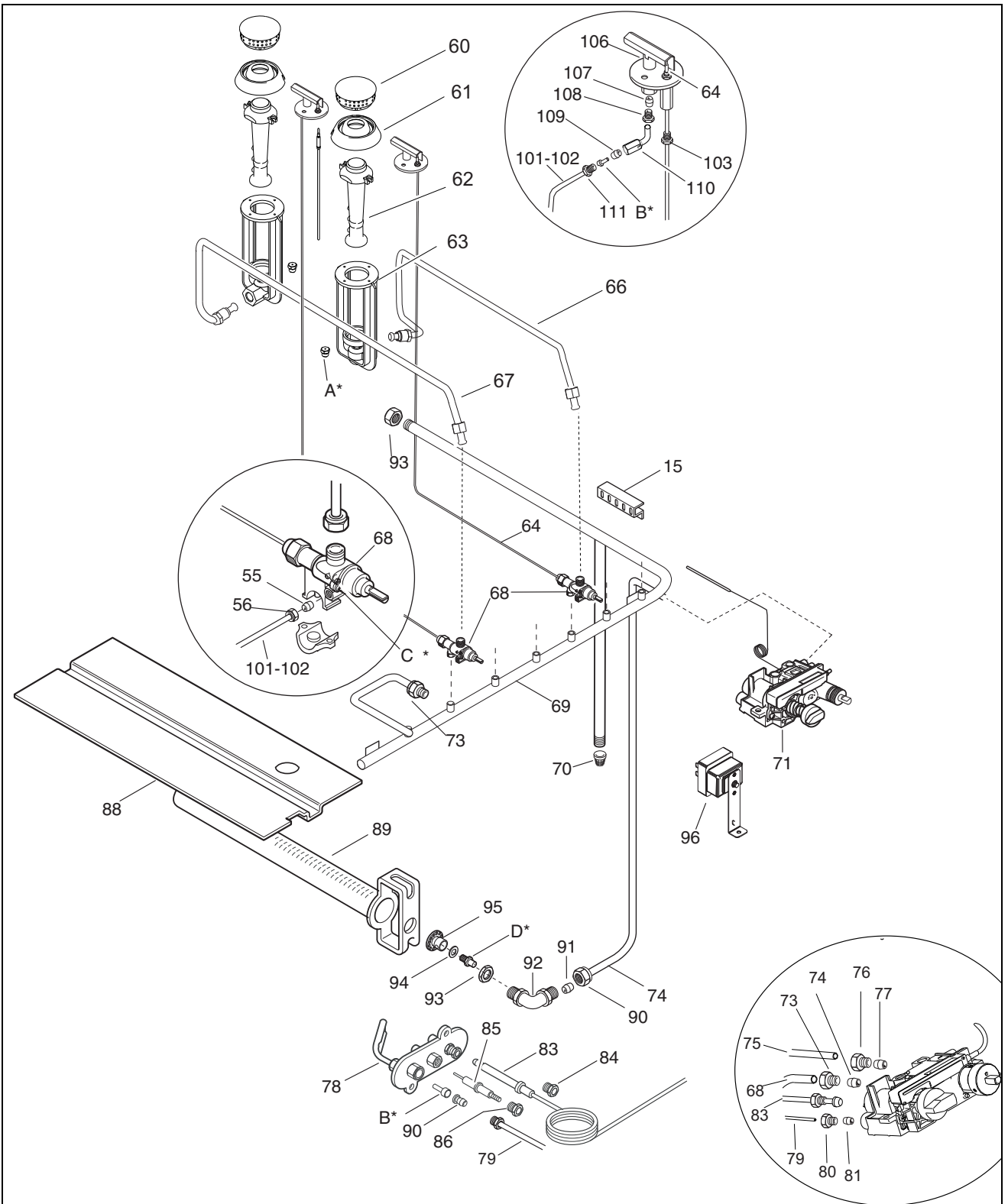
PNC	MODEL	Ref	Description
371215	E7GCGI6CLO	A	UNIFORME ELUX
371216	E7GCGI6CLA	B	UNIFORME AUSTRALIA ELUX
372215	Z7GCGI6CLO	C	UNIFORME ZAN
372216	Z7GCGI6CLA	D	UNIFORME AUSTRALIA ZAN
373216	A7GCGI6CLA	E	UNIFORME AUSTRALIA OEM

Index

	Pag	
General components / componenti generali	2	NOTE: not all accessories are included in this SPC
Gas components / componenti gas	3	
Gas nozzels / ugelli gas	4	BOLD: Last Change/ Grassetto= ultima modifica
Spare part list / liste ricambi	5,6	

From Ser. Nr. Up to Ser. Nr.	Ed. document publication . 2015 – 07 Ed. page revision 2022 - 08	Page 1	Doc. N° 59785QR00
---------------------------------	---	--------	--------------------------





A - Ugello bruciatore / Burner nozzle ϕ60			
Spare Code	Ref. / Notes		
OCBAUG	ϕ1.15	3+3B/P	G30 30mbar
0A2076	ϕ 1.10	3B/P	G30 37mbar
0C2807	ϕ 1.10	3B/P	G30 50mbar
OCBAUK	ϕ1.80	2H/2E+	G20 20mbar
0C2808	ϕ 1.75	2H	G20 25mbar
OC2345	ϕ1.65/1.90	2L	G25 25mbar
0C2345	ϕ 1.65/1.90	2K	G25.3 25mbar
OC2805	ϕ1.75/2.10	2ELL	G25 20mbar
0C2805	ϕ 1.75/2.10	2S	G25.1 25mbar
OCBAUJ	ϕ3.40	1a	G110 8mbar
0C3658	ϕ 3.30	1b	G120 8mbar

B - Ugello pilota forno/ Oven Pilot nozzle			
Spare Code	Ref. / Notes		
059216	n°14	3+3B/P	G30 30mbar
059216	n°14	3B/P	G30 37mbar
059216	n°14	3B/P	G30 50mbar
059215	n°27	2H/2E+	G20 20mbar
059215	n°27	2H/2E+	G20 25mbar
059215	n°27	2L	G25 25mbar
059215	n°27	2K	G25.3 25mbar
059215	n°27	2ELL	G25 20mbar
059215	n°27	2S	G25.1 25mbar
059356	n°50	1a	G110 8mbar
059356	n°50	1b	G120 8mbar

C - Vite di minimo / Min screw ϕ60			
Spare Code	Ref. / Notes		
002911	n°55	3+3B/P	G30 30mbar
002911	n°55	3B/P	G30 37mbar
002925	n°50	3B/P	G30 50mbar
002899	n°80	2H/2E+	G20 20mbar
002899	n°80	2H	G20 25mbar
002899	n°80	2L	G25 25mbar
002899	n°80	2K	G25.3 25mbar
002899	n°80	2ELL	G25 20mbar
002899	n°80	2S	G25.1 25mbar
-	adjust	1a	G110 8mbar
-	adjust	1b	G120 8mbar

D - Ugello bruciatore Forno/ Oven Burner nozzle			
Spare Code	Ref. / Notes		
002862	ϕ 1.50	3+3B/P	G30 30mbar
056470	ϕ 1.45	3B/P	G30 37mbar
004488	ϕ 1.40	3B/P	G30 50mbar
0C0729	ϕ 2.40	2H/2E+	G20 20mbar
002865	ϕ 2.30	2H/2E+	G20 25mbar
059363	ϕ 2.50	2L	G25 25mbar
004727	ϕ 2.35	2K	G25.3 25mbar
0C0730	ϕ 2.65	2ELL	G25 20mbar
003997	ϕ 2.55	2S	G25.1 25mbar
054545	ϕ 7.00	1a	G110 8mbar
0C3590	ϕ 6.90	1b	G120 8mbar

B - Ugello pilota / Pilot nozzle ϕ60			
Spare Code	Ref. / Notes		
054593	n°25	3+3B/P	G30 30mbar
054593	n°25	3B/P	G30 37mbar
054593	n°25	3B/P	G30 50mbar
053670	n°41	2H/2E+	G20 20mbar
053670	n°41	2H	G20 25mbar
053670	n°41	2L	G25 25mbar
053670	n°41	2K	G25.3 25mbar
053670	n°41	2ELL	G25 20mbar
053670	n°41	2S	G25.1 25mbar
053669	n°75	1a	G110 8mbar
053669	n°75	1b	G120 8mbar

6 FUOCHI SU FORNO GRANDE E700XP
6 GAS BURNERS ON LARGE OVEN E700XP

<i>Pos</i>	<i>Factory Code</i>	<i>Spare Part Code</i>	<i>Descrizione</i>	<i>Description</i>	<i>Ref./Note</i>
1	50389LM00	0C7705	GRIGLIA CAMINO	CHIMNEY GRID	
2	87089PA00	*	RIPIANO	TABLE TOP	A,B ELX
2	87089P900	*	RIPIANO	TABLE TOP	C,D ZAN
3	522899901	*	CHIUSURA LATERALE	SIDE COVER	
4	516860702	0C0137	PIASTRINA POSTERIORE RIPIANO	BACK SIDE JOINTING PLATE	
5	510816702	0C9062	GRIGLIA FUOCHI GHISA	CAST IRON PAN SUPPORT	
6	85089H601	*	RIVESTIMENTO LATERALE	EXTERNAL PANEL	A,B ELX
6	85089J200	*	RIVESTIMENTO LATERALE	EXTERNAL PANEL	C,D ZAN
7	527850500	0C0156	PIASTRA FISSAGGIO FIANCHI	SIDE PANELS JOINTING PLATE	
8	532883302	*	FONDO	BOTTOM	
9	835856900	0C0204	PIEDE	FOOT	
10	532883600	*	PANNELO POSTERIORE CAMINO	CHIMNEY BACK PANEL	
11	532883700	*	PANNELLO ANTERIORE CAMINO	CHIMNEY FRONT PANEL	
12	50489NQ00	*	CIELO E SCHIENALE CELLA FORNO	TOP AND BACK SIDE OVEN CELL	
13	50489N201	*	FIANCO SINISTRO CELLA FORNO	LEFT SIDE OVEN CELL	
14	50489N300	*	FIANCO DESTRO CELLA FORNO	RIGHT SIDE OVEN CELL	
15	507899S00	*	GRIGLIA PROTEZIONE BULBO	PROTECTION PROBE GRID	
21	543844G00	0C9060	GUARNIZIONE FORNO	OVEN GASKET	
23	532829801	0C3577	SUOLA FORNO	SOLE PLATE	
24	830879903	0C1535	GRIGLIA FORNO	GRATE, OVEN	
25	874894801	0C5493	GIUDE TEGLIE	RUNNER FOR PAN	
26	560821203	*	ISOLAMENTO CELLA FORNO	INSULATION, CELL OVEN	
27	560821102	*	ISOLAMENTO SCHIENALE FORNO	BACK SIDE OVEN INSULATION	
28	50489N701	*	TRAVERSA SUPERIORE		
29	528862900	0C3578	NASELLO	HAKE	
30	806857701	0C3654	SCROCCO PORTA	DOOR STOPPER	
31	523849504	0C2176	CONTROPORTA SINISTRA FORNO	INNER LEFT DOOR	
32	50189AZ00	*	PORTA SINISTRA FORNO	OVEN LEFT DOOR	
32	532868901	0C4658	PORTA SINISTRA FORNO	OVEN LEFT DOOR	E OEM
33	50189B100	*	PORTA DESTRA FORNO	OVEN RIGHT DOOR	
33	523848905	0C4665	PORTA DESTRA FORNO	OVEN RIGHT DOOR	E OEM
34	523849404	0C2174	CONTROPORTA DESTRA FORNO	INNER DOOR	
35	560818504	*	ISOLAMENTO PORTA FORNO	INSULATION OVEN DOOR	
36	515899B01	0C6793	MANIGLIA FORNO	HANDLE, OVEN	A,B ELX
36	50389V000	0C7564	MANIGLIA FORNO	HANDLE, OVEN	C,D ZAN
36	854864203	0A5021	ASS. MANIGLIA FORNO	ASSEMBLY HANDLE, OVEN	E OEM
36a	530R01802	0C6823	TAPPO MANIGLIA	HANDLE STOPPER	A,B ELX
36b	530R01702	0C6891	SUPPORTO MANIGLIA	HANDLE SUPPORT	A,B ELX
37	830804203	006400	GUARNIZIONE PORTA	DOOR GASKET	
38	518814101	0C5538	DISTANZIALE SUPERIORE PORTA	SPACER FOR DOOR	
39	514884101	006229	BOCCOLA PER PERNO	BUSH FOR PIN	
40	516889301	0C7107	PERNO	PIN	
41	516850300	0C7108	RONDELLA DISTANZIALE	SPACER	
42	528862701	0C5479	CERNIERA SINISTRA	LEFT HINGE	
43	527883001	0C5478	CERNIERA DESTRA	RIGHT HINGE	
44	85089H501	0C7720	CRUSCOTTO	CONTROL PANEL	A,B ELX
44	85589CY02	*	CRUSCOTTO	CONTROL PANEL	C,D ZAN
44	800839V00	*	CRUSCOTTO	CONTROL PANEL	E OEM
45	541813800	0C6171	RONDELLA SILICONE	SILICONE WASHER	
46	218912211	069567	MOLLETTA	SPRING	
47	548876S01	0C6671	GHIERA MANOPOLA FUOCHI ANT.	KNOB RING, FRONT BURNER	A,B ELX
47	548879F00	0C7244	GHIERA MANOPOLA FUOCHI ANT.	KNOB RING, FRONT BURNER	C,D ZAN
47	548876T01	0C7332	GHIERA MANOPOLA FUOCHI POS.	KNOB RING, REAR BURNER	A,B ELX
47	548879G00	0C8198	GHIERA MANOPOLA FUOCHI POS.	KNOB RING, REAR BURNER	C,D ZAN
49	511851100	0C8715	MANOPOLA RUBINETTO GAS	KNOB, GAS TAP	A,B ELX
49	548878101	0C7425	MANOPOLA RUBINETTO GAS	KNOB, GAS TAP	C,D ZAN

From Ser. Nr.
Up to Ser. Nr.

Ed. document publication . 2015 – 07
Ed. page revision 2018 - 10

Page 5

Doc. N° 59785QR00

6 FUOCHI SU FORNO GRANDE E700XP
6 GAS BURNERS ON LARGE OVEN E700XP

<i>Pos</i>	<i>Factory Code</i>	<i>Spare Part Code</i>	<i>Descrizione</i>	<i>Description</i>	<i>Ref./Note</i>
49	548865600	0C1007	MANOPOLA RUBINETTO GAS	KNOB, GAS TAP	E OEM
50	548877401	0C7342	GHIERA VALVOLA FORNO	KNOB RING, GAS VALVE OVEN	A,B ELX
50	548879700	0C7241	GHIERA VALVOLA FORNO	KNOB RING, GAS VALVE OVEN	C,D ZAN
51	511851100	0C8715	MANOPOLA TERMOSTATO VALVOLA	KNOB, GAS VALVE THERMOSTAT	A,B ELX
51	548877201	0C7179	MANOPOLA TERMOSTATO VALVOLA	KNOB, GAS VALVE THERMOSTAT	C,D ZAN
51	548872700	0C5252	MANOPOLA TERMOSTATO VALVOLA	KNOB, GAS VALVE THERMOSTAT	E OEM
52	548863303	0C2021	MANOPOLA ACCENDITORE VALVOLA	KNOB, GAS VALVE IGNITER	A,B ELX
52	548878303	0C7181	MANOPOLA ACCENDITORE VALVOLA	KNOB, GAS VALVE IGNITER	C,D ZAN
52	548856603	0C0190	MANOPOLA ACCENDITORE VALVOLA	KNOB, GAS VALVE IGNITER	E OEM
55	215199700	052127	BICONO	DOUBLE CONE	
56	214164400	052125	RACCORDO	NUT	
60	510819501	0C0129	SPARTIFIAMMA	FLAME SPREADER	
61	510827600	0C5474	COPPA BRUCIATORE	CUP BURNER	
62	510819103	0C0125	VENTURI BRUCIATORE	VENTURI, BURNER	
63	510819004	0C0124	SUPPORTO VENTURI	HOLDER FOR VENTURI	
64	0831800500	0C0202	TERMOCOPPIA	THERMOCOUPLE	
66	835868100	0C2799	CONDUTTURA ANTERIORE FUOCHI	FRONTAL BURNER PIPE	
67	835868202	0C2800	CONDUTTURA POSTERIORE FUOCHI	REAR BURNER PIPE	
68	835871400	0C5480	RUBINETTO GAS	GAS TAP	
69	856808201	0C3582	RIBALTA	MANIFOLD	
70	516863902	0C0140	FILTRO GAS	FILTER	
71	835859302	0C5247	VALVOLA GAS	GAS VALVE	
73	514862501	051950	RACCORDO 3/8"	CONNECTION	
74	215170716	050682	BICONO 12Ø	DOUBLE CONE 12Ø	
75	513806801	0C5477	CONDUTTURA FORNO	OVEN PIPE	
76	516869500	0C0149	RACCORDO 3/8"	CONNECTION 3/8"	
77	516869600	0C0150	BICONO	DOUBLE CONE	
78	830884101	0C7102	PILOTA	PILOT	
79	513806700	0C5476	CONDUTTURA PILOTA FORNO	OVEN PILOT PIPE	
80	214164400	052125	RACCORDO	CONNECTION 3/8"	
81	215199700	052127	BICONO	DOUBLE CONE	
82	517808700	059161	BICONO	DOUBLE CONE	
83	83089FH00	0C7716	TERMOCOPPIA INTERROTTA	THERMOCOUPLE	
84	214162000	0C0121	RACC.FISSAGGIO TERMOCOPPIA	CONNECTION, THERMOCOUPLE	
85	830863300	059380	ELETTRODO DI ACCENSIONE	ELECTRODE	
86	214164101	057960	RACCORDO PER ELETTRODO	CONNECTION, ELECTRODE	
88	532827601	0C3585	PARAFIAMMA	BURNER COVER	
89	830805400	002513	BRUCIATORE FORNO	OVEN BURNER	
90	514829301	0A2125	DADO	NUT	
91	215073101	060325	BICONO	DOUBLE CONE	
92	511805401	059250	PORTAUGELLO 90°	INJECTOR HOLDER 90°	
93	214105101	020997	CONTRODADO PORTAUGELLO	LOCK NUT	
94	506833401	054029	GUARNIZIONE PER UGELLO	GASKET, NOZZLE	
95	830827102	054085	AREATORE	AERATOR	
96	646808600	004600	LIMITATORE DI TEMPERATURA	SAFETY THERMOSTAT	
101	544821000	0C4192	CONDUTTURA ANTERIORE PILOTA	FRONT PILOT PIPE	
102	544820900	0C4193	CONDUTTURA POSTERIORE PILOTA	REAR PILOT PIPE	
103	214162000	0C0121	RACCORDO X TERMOCOPPIA	NUT, THERMOCOUPLE	
64	831800500	0C0202	TERMOCOPPIA	THERMOCOUPLE	
106	806854300	0C3644	PILOTA FUOCHI	PILOT BURNER	
107	516888200	0C3645	BICONO PER PILOTA D.4	DOUBLE CONE D.4 FOR PILOT	
108	516887500	0C3646	RACCORDO	CONNECTION	
109	515827401	053665	BICONO PER PILOTA D.4	DOUBLE CONE D.4 FOR PILOT	
110	510823900	0C3643	SUPPORTO CURVO PER UGELLO PILOTA	CURVED JET HOLDER	
111	214164400	052125	RACCORDO	NUT	

From Ser. Nr.
Up to Ser. Nr.

Ed. document publication . 2015 – 07
Ed. page revision 2016 - 09

Page 6

Doc. N° 59785QR00