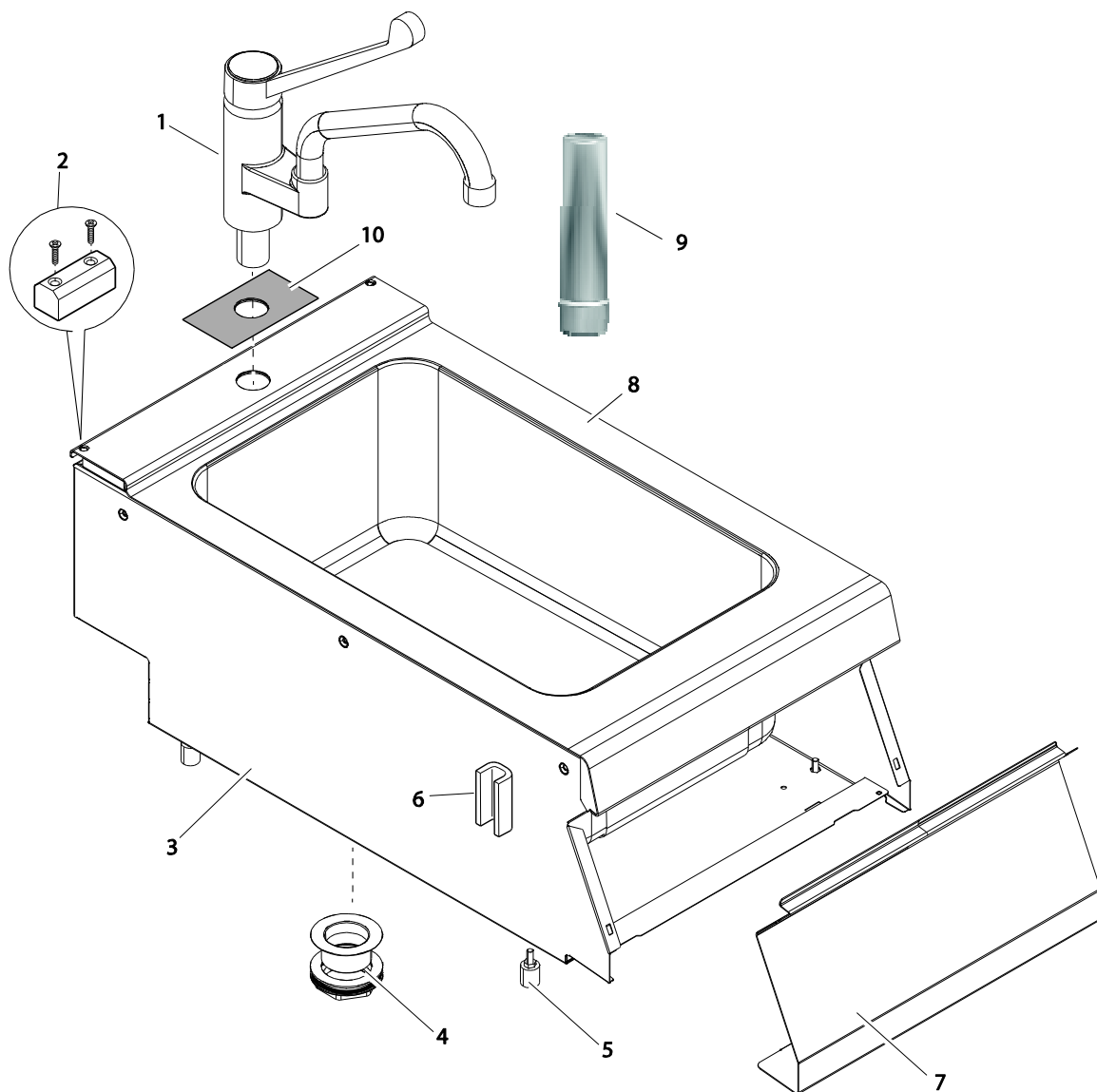


**LAVELLO CON COLONNA ACQUA 700/900XP**  
**SINK TOP WITH WATER COLUMN 700/900XP**

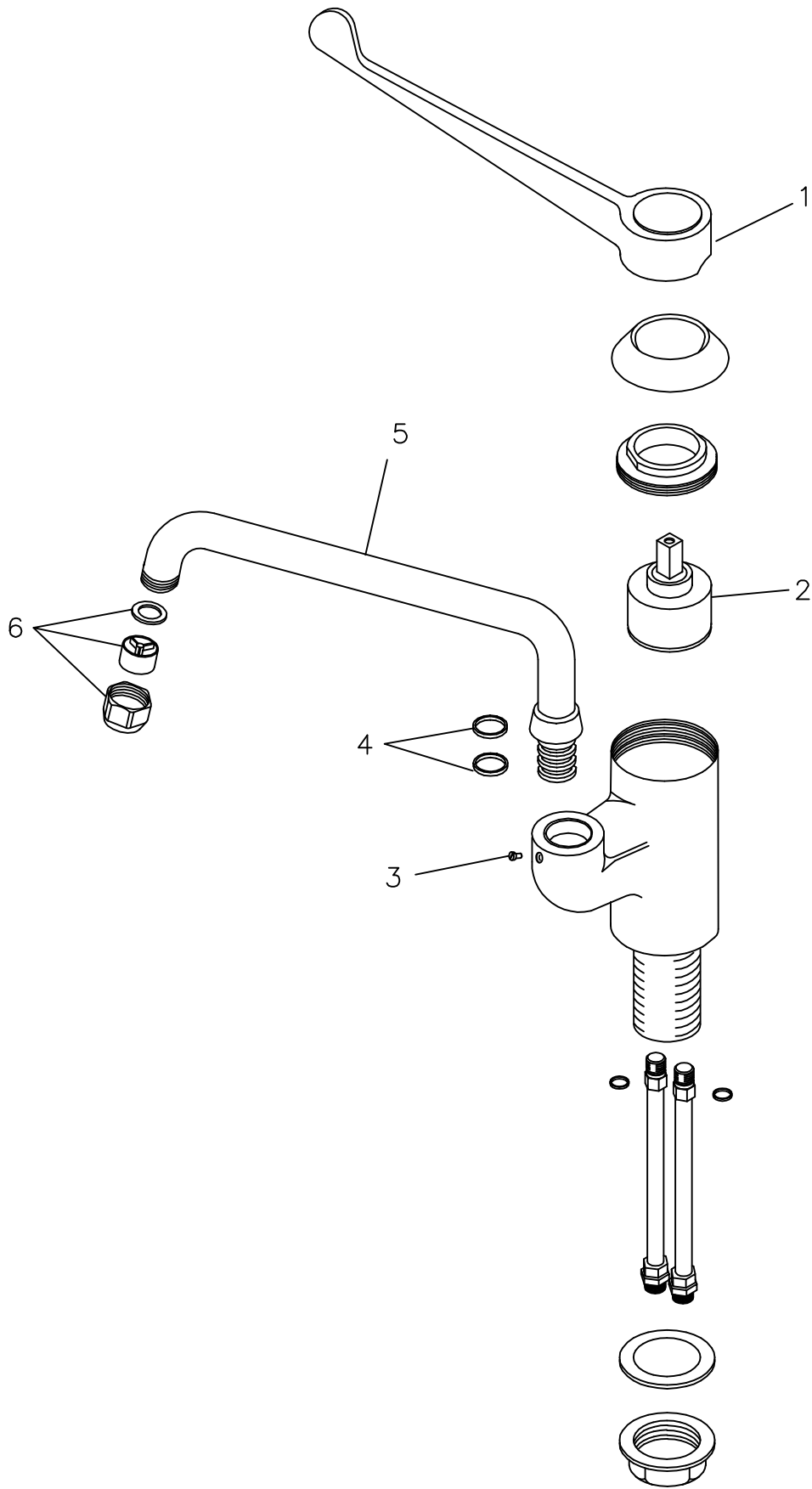
---

<b>PNC</b>	<b>MODEL</b>	<b>Ref</b>	<b>Description</b>
371214	E7SUNDQ000	A	ELUX, SINK TOP WITH WATER COLUMN 400 X 700
372214	Z7SUNDQ000	B	ZAN, SINK TOP WITH WATER COLUMN 400 X 700
373214	A7SUNDQ000	C	OEM, SINK TOP WITH WATER COLUMN 400 X 700
391236	E9SUNDQ000	D	ELUX, SINK TOP WITH WATER COLUMN 400 X 900
392236	Z9SUNDQ000	E	ZAN, SINK TOP WITH WATER COLUMN 400 X 900
393236	A9SUNDQ000	F	OEM, SINK TOP WITH WATER COLUMN 400 X 900

**Index**General components / componenti generali  
Water column / colonna acqua**Pag**2  
3**NOTE:****BOLD: Last Change/ Grassetto= ultima  
modifica**



Pos	Spare Code	Factory Code	Descrizione	Description	Ref. /Notes
1	OS0863	835877X00	ASSIEME RUBINETTO	COMPLETE TAP	
2	OC0137	516860702	PIASTRINA UNIONE	JUNCTION BRACKET	
3	OC8544	85089F701	RIVESTIMENTO LATERALE	EXTERNAL PANEL	A
3	OC7268	85089FA01	RIVESTIMENTO LATERALE	EXTERNAL PANEL	B,C
3	OCA013	85089DR02	RIVESTIMENTO LATERALE	EXTERNAL PANEL	D
3	*	85089DU00	RIVESTIMENTO LATERALE	EXTERNAL PANEL	E,F
4	OC9488	83089JJ00	SIFONE SCARICO	SIFONE DRAIN	WURTH 888 800400
5	026806	315252601	PIEDINO, TOP	FOOT, TOP	
6	OC0156	527850500	PIASTRA FISSAGGIO FIANCHI	SIDE PANELS JOINTING PLATE	
7	OC7202	85089BM01	CRUSCOTTO TOP 400 MM	CONTROL PANEL TOP 400 MM	A,D
7	OC7206	85089G801	CRUSCOTTO TOP 400 MM	CONTROL PANEL TOP 400 MM	B,E
7	OCA037	85089G701	CRUSCOTTO TOP 400 MM	CONTROL PANEL TOP 400 MM	C,F
8	*	87089PC00	RIPIANO COMPLETO	COMPLETE TOP	A
8	*	87089PK00	RIPIANO COMPLETO	COMPLETE TOP	B,C
8	*	87089PF00	RIPIANO COMPLETO	COMPLETE TOP	D
8	*	87089PH00	RIPIANO COMPLETO	COMPLETE TOP	E,F
9	OC9489	83089JQ00	TROPPOPIENO	OVERFLOW	
10		50489R800	RINFORZO RIPIANO	REINFORCEMENT, TOP	



<b>Prod. No. 855323 (RR00S0863)– Mixer Tap, top-mounted, swivel spout, lever</b>				
Ref. Exploded drawing 855323 ed. 1.0 20080623				
<b><u>Part No.</u></b>	<b><u>Part description (en)</u></b>	<b><u>Part description (it)</u></b>	<b><u>Part Code (Electrolux)</u></b>	<b><u>Part Code (KLARCO)</u></b>
1	Sanitary lever, 220mm long, black	Leva clinica nera L.220mm	RR00S0811	0P.H006.00.00
2	Mixing cartridge	Cartuccia miscelatrice	RR00S1340	0P.V070.00.00
3	Spout screw, S/S	Vite bloccaggio canne EUROP AISI 303	RR00L0635	0P.P236.00.00
4	O-Ring 119, EPDM rubber	O-Ring 119, gomma EPDM		0P.P072.X5
5	Swivel spout, complete, 25x225	Canna a jota completa, 25x225	RR00L0934	0P.C082.00.00
6	Aerator, complete d.25	Rompigetto completo d.25	RR00S1471	0P.P014.00.00