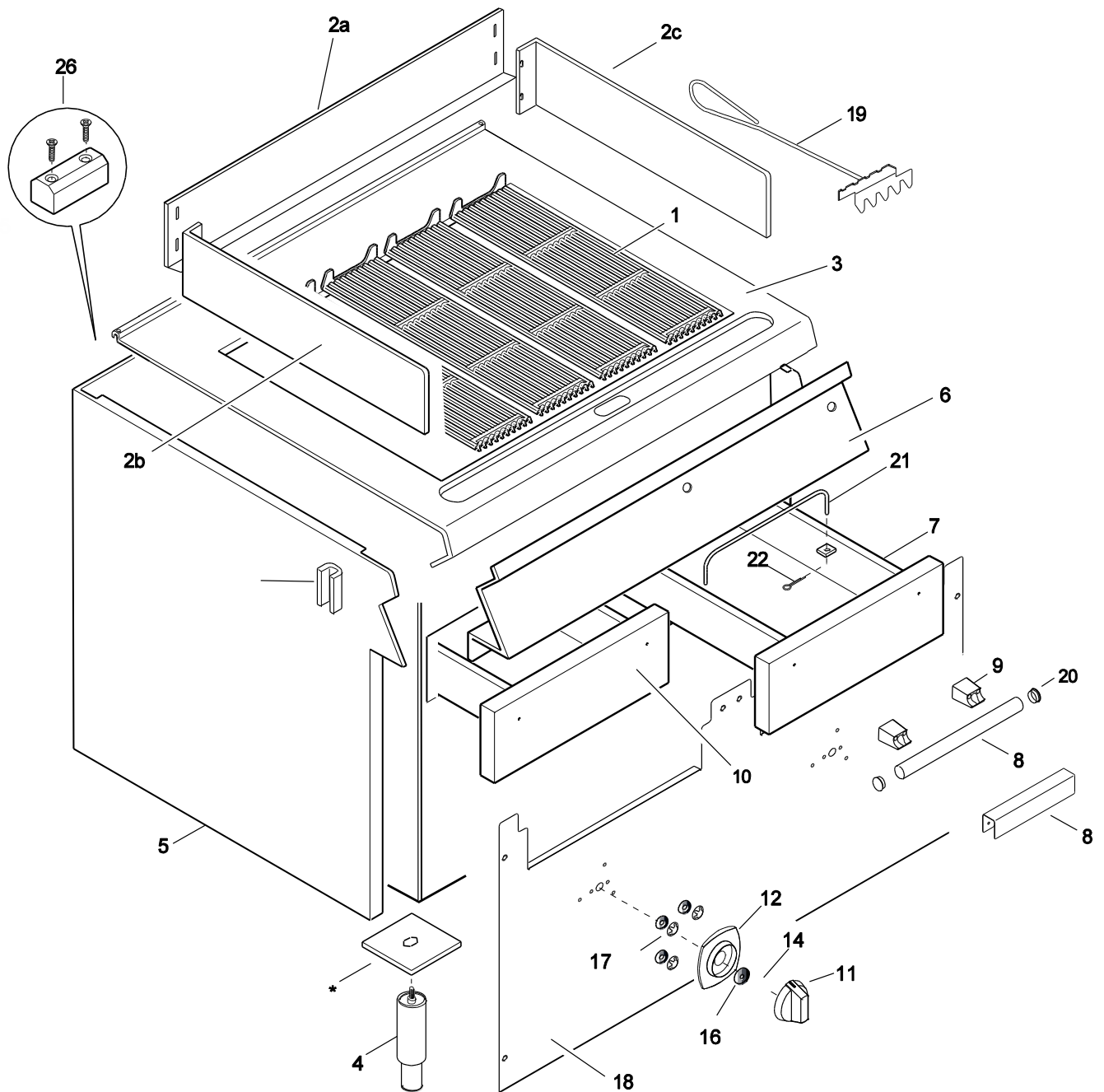


PNC	Model	Ref	Brand	Version	Notes
371241	E7GREDGCFU	A	ELX	EL	GRILL ON BASE 400MM
371242	E7GREHGCFU	B	ELX	EL	GRILL ON BASE 800MM
372241	Z7GREDGCFU	C	ZAN	EL	GRILL ON BASE 400MM
372242	Z7GREHGCFU	D	ZAN	EL	GRILL ON BASE 800MM

Pag	Index	Indice
2	General componets	Componenti struttura
3	Electric components	Componenti elettrici
4	Spare parts list	Lista ricambi

\* =Component on demand / componente a richiesta

\*\* = Bold text = changes / Grassetto = cambiamenti

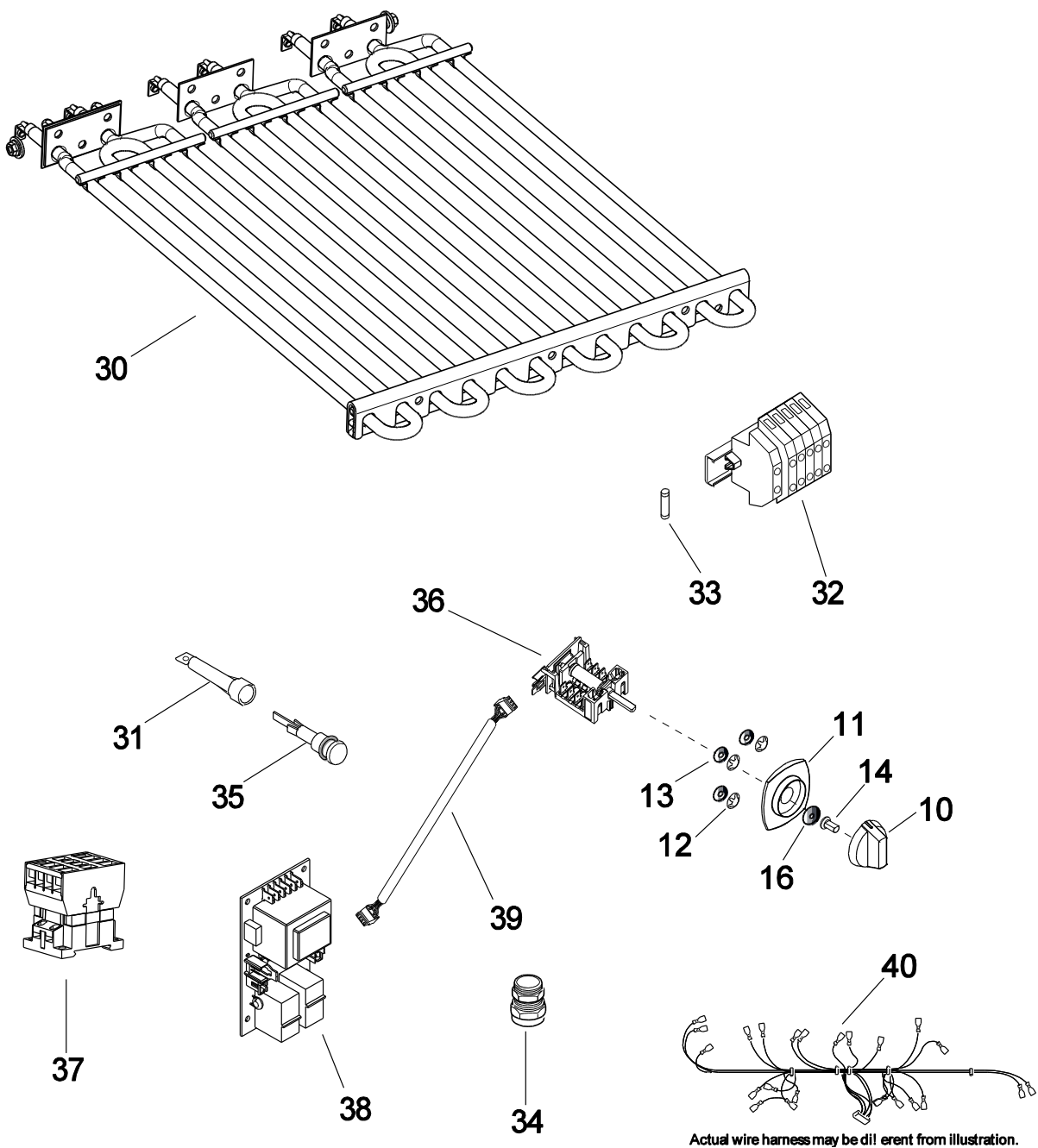


\* =Component on demand / componente a richiesta

\*\* = Bold text = changes / Grassetto = cambiamenti

PAG 1 Document Ed.1 / 06 2014

Doc. **59785T100**



\* =Component on demand / componente a richiesta

\*\* = Bold text = changes / Grassetto = cambiamenti

PAG 1 Document Ed.1 / 06 2014

Doc. **59785T100**

PNC		Ref	PNC		Ref
371241		A	372241		C
371242		B	372242		D
Art	Factory Code	Spare part Code	Descrizione	Description	Ref. /Notes
1	510823202	0C2570	GRIGLIA GOLOSA GHISA	CAST IRON GRID	2pcs x A,C 4pcs x B,D
<b>2a</b>	<b>500899400</b>	<b>0CB249</b>	<b>PARETE POST. PARASPRUZZI</b>	<b>BACK PANEL SPLASHBACK</b>	<b>A,C</b>
	<b>500899300</b>	<b>0CA355</b>	<b>PARETE POST. PARASPRUZZI</b>	<b>BACK PANEL SPLASHBACK</b>	<b>B,D</b>
<b>2b</b>	<b>500899100</b>	<b>0CA353</b>	<b>PARETE SINISTRA PARASPRUZZI</b>	<b>LEFT PANEL SPLASHBACK</b>	<b>Depth 700</b>
<b>2c</b>	<b>500899200</b>	<b>0CA354</b>	<b>PARETE DESTRA PARASPRUZZI</b>	<b>RIGHT PANEL SPLASHBACK</b>	<b>Depth 700</b>
3	87089Q500	*	TOP	TOP	A ELUX 400 mm
	87089Q400	*	TOP	TOP	B ELUX 800 mm
	87089QB00	*	TOP	TOP	C ZAN 400 mm
	87089QA00	*	TOP	TOP	D ZAN 800 mm
4	835856900	0C0204	PIEDE	FOOT	
5	85089FF01	0C8598	FIANCO (FASCIA LATERALE)	SIDE PANEL	A ELUX 400 mm
	85089FD01	*	FIANCO (FASCIA LATERALE)	SIDE PANEL	B ELUX 800 mm
	85089FH01	*	FIANCO (FASCIA LATERALE)	SIDE PANEL	C ZAN 400 mm
	85089FJ01	*	FIANCO (FASCIA LATERALE)	SIDE PANEL	D ZAN 800 mm
6	85089MG00	*	CRUSCOTTO ½ MODULO	FRONT PANEL ½ MODULE	A ELUX 400 mm
	85089MN00	*	CRUSCOTTO 1 MOD	FRONT PANEL	B ELUX 800 mm
	85589GJ00	*	CRUSCOTTO ½ MODULO	FRONT PANEL ½ MODULE	C ZAN 400 mm
	85089MQ00	*	CRUSCOTTO 1 MOD	FRONT PANEL	D ZAN 800 mm
7	515899B01	0C6797	MANIGLIA	HANDLE	A,B
	50389V000	0C7564	MANIGLIA	HANDLE	C,D
8	500R01702	0C6891	SUPPORTO MANIGLIA	HANDLE SUPPORT	
9	530R01802	0C6823	TAPPO MANIGLIA	HANDLE PLUG	
10	548877W00	0C8700	MANOPOLA ELUX	KNOB	A,B WITH ADAPTER
	548878201	0C7232	MANOPOLA ZAN	KNOB	C,D
11	54887B500	*	GHIERA PER COMMUTATOTE	KNOB RING, SELECTOR	A,B
	54887B600	0C9970	GHIERA PER COMMUTATOTE	KNOB RING, SELECTOR	C,D
12	218912211	069567	MOLLETTA PER GHIERA	RING, RING KNOB	
13	541813800	0C6171	RONDELLA IN SILICONE	SILICONE ORING	
14	548877V00	0C7345	ADATTATORE MANOPOLA	KNOB ADAPTER	A,B
16	543821000	053816	GUARNIZIONE MANOPOLA	KNOB GASKET	
17	527850500	0C0156	PIASTRA FISSAGGIO FIANCHI	SIDE PANELS JOINTING PLATE	
18	80083A600	*	PANNELLO FRONTALE	FRONT PANEL	A,C
	80083A700	*	PANNELLO FRONTALE	FRONT PANEL	B,D
19	83089KH00	*	RASCHIETTO	GRILL SCRAPER	
20	85089D701	*	CASSETTO (senza maniglia)	DRAWER (without handle)	1pcs x A,C 2pcs x B,D
21	514885600	059299	MANIGLIA OLIO, INTERNO CASSETTO	INNER OIL DRAWER HANDLE	
22	219293205	0C0477	COPPIGLIA MANIGLIA	PIN HANDLE STOPPER	
23	*	0C9655	PIASTRA UNIONE POSTERIORE	JOINTING REAR PLATE	KIT :SCREWS & PLATE
30	617839R00	0C9971	RESISTENZA 2000W 230V	HEATING ELEMENT 2000W 230V	3pcs x A,C 6pcs x B,D
31	638865100	005370	RESISTENZA DI DISPERSIONE	LEAKAGE RESISTANCE	
32	639811900	*	MORSETTIERA	MAIN TERMINAL BLOCK	
33	652806100	0C4996	FUSIBILE	FUSE	5X20MM 3,15AMP
34	544802300	0C0068	PRESSACAVO	FIXING CABLE	
35	876800002	005010	LAMPADA SPIA VERDE	PILOT LAMP; GREEN	
36	641805900	0C9939	COMMUTATORE LINEARE GOTTAK	SELECTOR	
37	648807400	006879	CONTATTORE	RELAY	
38	673800601	0C9972	SCHEDA ELETTRONICA "SPARTA"	ELECTRONIC BOARD "SPARTA"	
39	*	0C9773	CAVETTO, SELETTORE/SPARTA	CABLE, SELECTOR/SPARTA	Just indicated cable
40	634803V00		ASSIEME CAVI 1 MODULO	WIRING HARNESS	B/D
	634803V00		ASSIEME CAVI ½ MODULO	WIRING HARNESS	A,C

\* =Component on demand / componente a richiesta

\*\* = Bold text = changes / Grassetto = cambiamenti