

---

<b>PNC</b>	<b>Model</b>	<b>Ref</b>	<b>Brand</b>	<b>Notes</b>
371237	E7GRGDGCFU	A	ELX	GRILL ON BASE 400MM
371238	E7GRGHGCFU	B	ELX	GRILL ON BASE 800MM
372237	Z7GRGDGCFU	C	ZAN	GRILL ON BASE 400MM
372238	Z7GRGHGCFU	D	ZAN	GRILL ON BASE 800MM

<b>Pag</b>	<b>Index</b>	<b>Indice</b>
2	General componets	Componenti struttura
3	Gas components	Componenti gas
4,5	Spare parts list	Lista ricambi
6	Gas nozzels	Ugelli gas

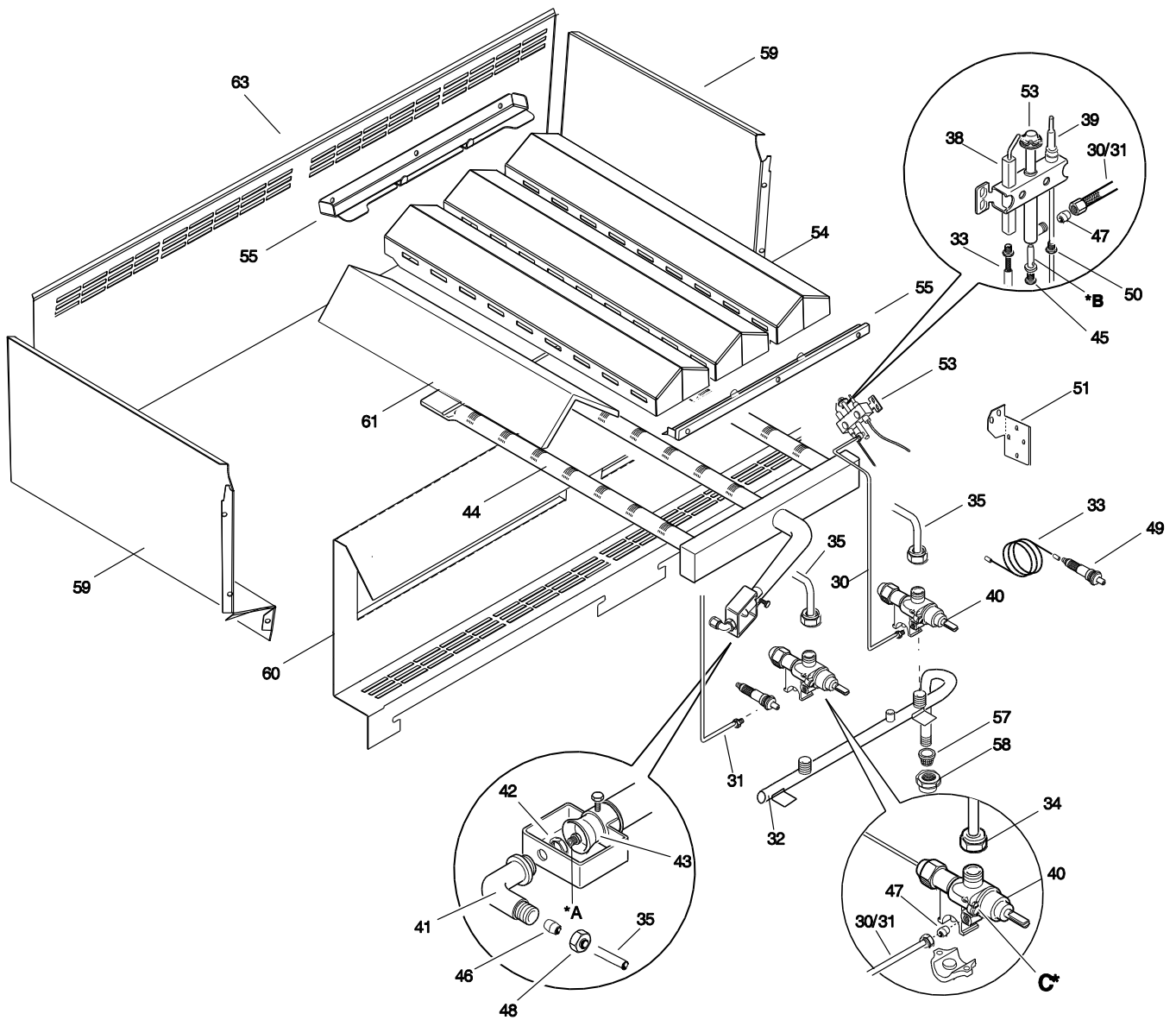
\* =Component on demand / componente a richiesta

\*\* = Bold text = changes / Grassetto = cambiamenti

Start production wk 37-2014 / **PAG 1** Document Ed.1 / 07 2015

Doc. **59785T200**





\* =Component on demand / componente a richiesta

\*\* = Bold text = changes / Grassetto = cambiamenti

Start production wk 37-2014 / **PAG 3** Document Ed.1 / 09 2014

Doc. **59785T200**

PNC		Ref	PNC	Ref	
371237		A	372237	C	
371238		B	372238	D	
Art	Factory Code	Spare part Code	Descrizione	Description	Ref. /Notes
1	510823202	0C2570	GRIGLIA GOLOSA GHISA	CAST IRON GRID	2pcs x A,C
1	510823302	0C2571	GRIGLIA GOLOSA GHISA	CAST IRON GRID	4pcs x B,D
2a	500899400	*	PARETE POST. PARASPRUZZI	BACK PANEL SPLASHBACK	A,C 400 mm
2°	<b>500899300</b>	<b>OCA355</b>	<b>PARETE POST. PARASPRUZZI</b>	<b>BACK PANEL SPLASHBACK</b>	<b>B,D 800 mm</b>
2b	<b>500899100</b>	<b>OCA353</b>	<b>PARETE SINISTRA PARASPRUZZI</b>	<b>LEFT PANEL SPLASHBACK</b>	<b>Depth 700</b>
2c	<b>500899200</b>	<b>OCA354</b>	<b>PARETE DESTRA PARASPRUZZI</b>	<b>RIGHT PANEL SPLASHBACK</b>	<b>Depth 700</b>
3	87089Q500	*	TOP	TOP	A ELUX 400 mm
3	87089Q400	*	TOP	TOP	B ELUX 800 mm
3	87089QB00	*	TOP	TOP	C ZAN 400 mm
3	87089QA00	*	TOP	TOP	D ZAN 800 mm
4	835856900	0C0204	PIEDE	FOOT	
5	85089FD01	*	FIANCO (FASCIA LATERALE)	SIDE PANEL	B ELUX 400 mm
5	85089FF01	0C8598	FIANCO (FASCIA LATERALE)	SIDE PANEL	A ELUX 800 mm
5	85089FH01	*	FIANCO (FASCIA LATERALE)	SIDE PANEL	C ZAN 400 mm
5	85089FJ01	*	FIANCO (FASCIA LATERALE)	SIDE PANEL	D ZAN 800 mm
6	85589C502	0C7592	CRUSCOTTO ½ MODULO	FRONT PAMEL ½ MODULE	A ELUX 400 mm
6	85589C602	0C7593	CRUSCOTTO 1 MOD	FRONT PANEL	B ELUX 800 mm
6	85589CG02	0C7594	CRUSCOTTO ½ MODULO	FRONT PAMEL ½ MODULE	C ZAN 400 mm
6	87089FC02	0C7608	CRUSCOTTO 1 MOD	FRONT PANEL	D ZAN 800 mm
7	515899B01	0C6797	MANIGLIA	HANDLE	A,B
7	50389V000	0C7564	MANIGLIA	HANDLE	C,D
8	500R01702	0C6891	SUPPORTO MANIGLIA	HANDLE SUPPORT	
9	530R01802	0C6823	TAPPO MANIGLIA	HANDLE PLUG	
10	54887AV00	0C8645	MANOPOLA ELUX COMPLETA	KNOB ASSEMBLY, COMPLETE	A,B (with .art 14)
10	548878101	0C7425	MANOPOLA ZAN	KNOB	C,D
11	548876S01	0C6671	GHIERA PER COMMUTATOTE	KNOB RING, SELECTOR	A,B
11	548879G00	0C7244	GHIERA PER COMMUTATOTE	KNOB RING, SELECTOR	C,D
12	218912211	069567	MOLLETTA PER GHIERA	RING, RING KNOB	
13	541813800	0C6171	RONDELLA IN SILICONE	SILICONE ORING	
14	54887AP00	0C8714	ADATTATORE MANOPOLA	KNOB ADAPTER	A,B
16	543821000	053816	GUARNIZIONE MANOPOLA	KNOB GASKET	
17	527850500	0C0156	PIASTRA FISSAGGIO FIANCHI	SIDE PANELS JOINTING PLATE	
18	522896202	0C2703	PANNELLO FRONTALE	FRONT PANEL	A,C
18	522896302	*	PANNELLO FRONTALE	FRONT PANEL	B,D
19	83089KH00	0C9974	RASCHIETTO	GRILL SCRAPER	
20	85089D701	0CA005	CASSETTO (senza maniglia)	DRAWER (without handle)	1pcs x A,C 2pcs x B,D
21	514885600	059299	MANIGLIA OLIO, INTERNO	INNER OIL DRAWER HANDLE	
22	219293205	0C0477	COPPIGLIA MANIGLIA	PIN HANDLE STOPPER	
23	*	0C9655	KIT, STAFFA OTTONE E VITI	KIT, COPPER BRAKET & SCREWS	KIT

\* =Component on demand / componente a richiesta

\*\* = Bold text = changes / Grassetto = cambiamenti

Start production wk 37-2014 / **PAG 4** Document Ed.1 / 09 2014

Doc. **59785T200**

PNC		Ref	PNC	Ref		
371237		A	372237	C		
371238		B	372238	D		
Art	Factory Code	Spare part Code	Descrizione	Description	Ref. /Notes	
30	517873803	0C0480	CONDUTTURA PILOTA destra	PILOT PIPE right	A,C	
31	516895301	0C5031	CONDUTTURA PILOTA sinistra	PILOT PIPE left	B,D	
32	853894301	0C2935	RIBALTA	MAIN GAS PIPE, MANIFOLD	A,C	
32	853894401	0CA006	RIBALTA	MAIN GAS PIPE, MANIFOLD	B,D	
33	80589BY00	0C9198	CAVETTO ACCENSIONE PIEZO	IGNITION CABLE, PIEZO		
34	W00501200	*	DADO	NUT		
34	511833800	*	DADO	NUT		Installed on art.35
35	85589G700	0CA009	CONDUTTURA CON DADO	GAS PIPE WITH NUT		
37	215199700	052127	BICONO PILOTA - RUBINETTO GAS	DOUBLE CONE, PILOT - GAS TAP		
38	830897000	0C0488	ELETTRODO; ACCENSIONE	ELECTRODE		
39	830853101	051119	TERMOCOPPIA	THERMOCOUPLE		
40	835857202	0C0205	RUBINETTO GAS	GAS TAP		
41	511805801	059375	PORTAUGELLO	NOZZLE HOLDER		
42	214105101	020997	CONTRODADO	LOCK NUT		
43	215088100	052062	BOCCOLA REGOLAZIONE ARIA	BUSH, AIR REGULATION		
44	853894504	0C2657	BRUCIATORE	BURNER		
45	214164400	052125	RACCORDO PILOTA	PIPE FITTING, PILOT		
46	215073101	060325	BICONO TUBO GAS	DOUBLE CONE GAS PIPE	BURNER	
47	215199700	052127	BICONO PILOTA	DOUBLE CONE, PILOT		
48	514829301		DADO	NUT		
49	835834900	002605	ACCENDITORE PIEZO	PIEZOELECTRIC IGNITER		
50	214162000	0C0121	RACCORDO TERMOCOPPIA	PIPE FITTING, THERMOCOUPLE		
51	x					
52	x					
53	830894900	0C0494	PILOTA	PILOT		
54	50489S700	0CA459	TEGOLO RADIANTE	RADIANT PLATES	A,C	
54	50489S600	0CA458	TEGOLO RADIANTE	RADIANT PLATES	B,D	
55	50189CF00		SUPPORTO TEGOLI	SUPPORT, RAD. PLATE	A,C	
55	50189CD00		SUPPORTO TEGOLI	SUPPORT, RAD. PLATE	B,D	
57	516863902	0C0140	FILTRO PER TUBO	PIPE FILTER		
58	246519500		TAPPO PER RIBALTA	MANIFOLD STOPPER		
59	50489QW00		PARETE LATERALE.CAMERA COMB	SIDE PANEL COMB. CHAMBER		
60	50489R000	*	PARETE ANT.CAMERA COMB	FRONT PANEL COMB. CHAMBER	A,C	
60	50489QY00	*	PARETE ANT.CAMERA COMB	FRONT PANEL COMB. CHAMBER	B,D	
61	50489QT00	*	ELEMENTO CENTRALE CAMERA	CENTER DEFLECTOR		
63	50489Q100	*	PARETE POSTERIORE.CAMERA COMB	BACK PANEL COMB. CHAMBER	A,C	
63	50489PY00	*	PARETE POSTERIORE.CAMERA COMB	BACK PANEL COMB. CHAMBER	B,D	

\* =Component on demand / componente a richiesta

\*\* = Bold text = changes / Grassetto = cambiamenti

Start production wk 37-2014 / **PAG 5** Document Ed.1 / 07 2015

**Doc. 59785T200**

## Gas nozzles / Ugelli gas

<b>A - Ugello bruciatore / Burner nozzle</b>			
Spare Code	Ref. / Notes		
0A2105	ø2.00	2H/2E+	G20 20mbar
0A2102	ø2.10	2H	G20 25mbar
0A5356	ø2.35	2ELL	G25 20mbar
0A2475	ø2.25	2L	G25 25mbar
0A2475	ø2.25	2S	G25.1 25mbar
0A2082	ø1.40	3+3B/P	G30 30mbar
0A2533	ø1.35	3B/P	G30 36mbar
0A2101	ø1.25	3B/P	G30 50mbar
058980	ø2.45	No CE	G20 10mbar
059040	ø4.80	1a	G110
005045	ø4.30	1b	G120

<b>B - Ugello pilota / Pilot nozzle</b>			
Spare Code	Ref./ Notes		
056656	n°35	2H/2E+	G20 20mbar
056656	n°35	2H	G20 25mbar
056656	n°35	2ELL	G25 20mbar
056656	n°35	2L	G25 25mbar
056656	n°35	2S	G25.1 25mbar
058330	n°25	3+3B/P	G30 30mbar
058330	n°25	3B/P	G30 36mbar
058330	n°25	3B/P	G30 50mbar
058330	n°35	No CE	G20 10mbar
056798	n°70	1a	G110
056798	n°70	1b	G120

<b>C - Vite di minimo / Min screw</b>			
Spare Code	Ref./ Notes		
006193	n°160	2H/2E+	G20 20mbar
006193	n°160	2H	G20 25mbar
006193	n°160	2ELL	G25 20mbar
006193	n°160	2L	G25 25mbar
006193	n°160	2S	G25.1 25mbar
002902	n°105	3+3B/P	G30 30mbar
002902	n°105	3B/P	G30 36mbar
002909	n°95	3B/P	G30 50mbar
-	adjust	No CE	G20 10mbar
-	adjust	1a	G110
-	adjust	1b	G120

\* =Component on demand / componente a richiesta

\*\* = Bold text = changes / Grassetto = cambiamenti

Start production wk 37-2014 / **PAG 6** Document Ed.1 / 09 2014

**Doc. 59785T200**