

PNC	Model	Ref	Brand	Notes
371237	E7GRGDGCFU	A	ELX	GRILL ON BASE 400MM
371238	E7GRGHGCFU	B	ELX	GRILL ON BASE 800MM
372237	Z7GRGDGCFU	C	ZAN	GRILL ON BASE 400MM
372238	Z7GRGHGCFU	D	ZAN	GRILL ON BASE 800MM

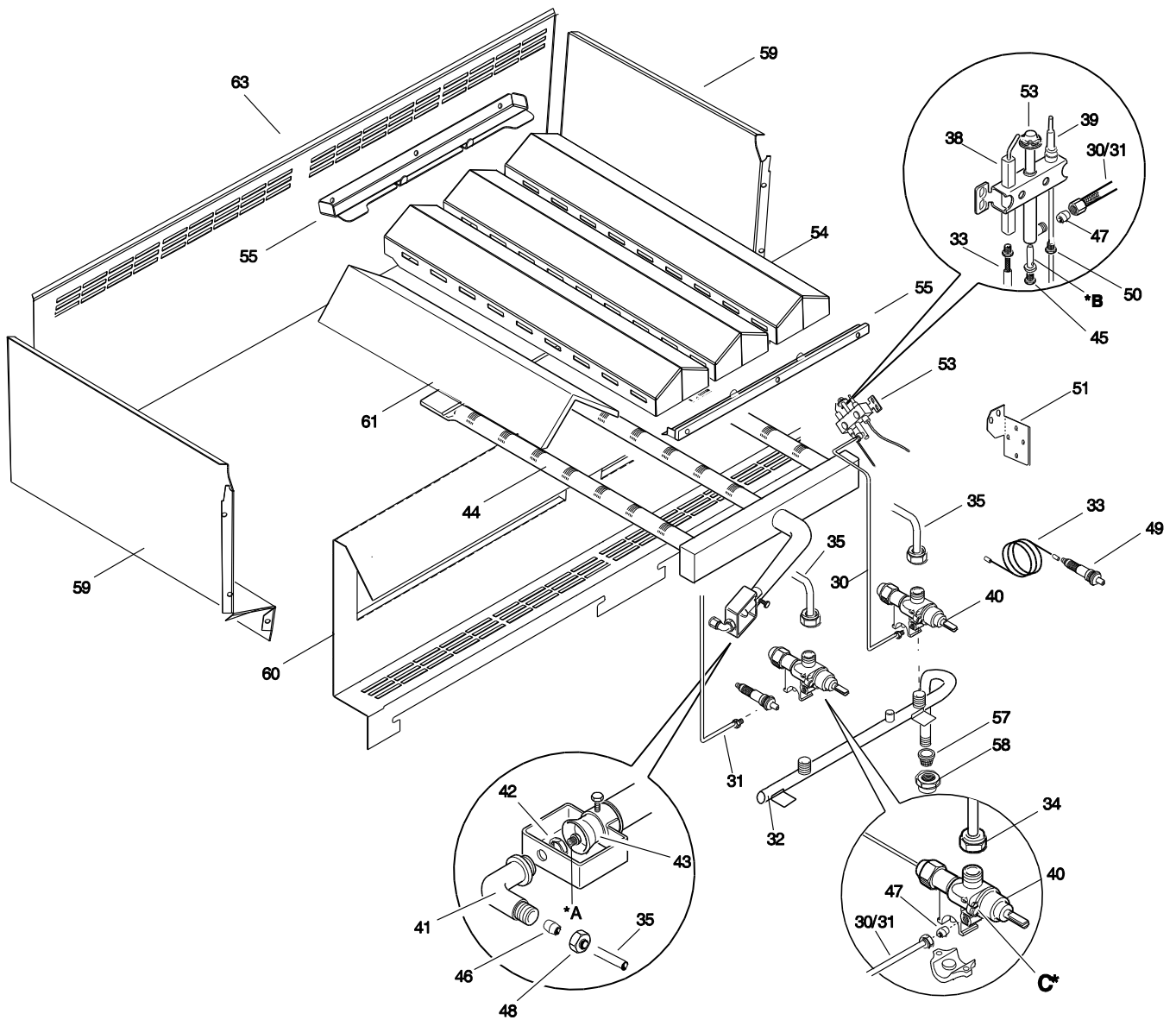
Pag	Index	Indice
2	General componets	Componenti struttura
3	Gas components	Componenti gas
4,5	Spare parts list	Lista ricambi
6	Gas nozzels	Ugelli gas

* =Component on demand / componente a richiesta

** = Bold text = changes / Grassetto = cambiamenti

Start production wk 37-2014 / **PAG 1** Document Ed.2 / 10 2017

Doc. **59785T200**



* =Component on demand / componente a richiesta

** = Bold text = changes / Grassetto = cambiamenti

Start production wk 37-2014 / **PAG 3** Document Ed.1 / 09 2014

Doc. **59785T200**

PNC		Ref	PNC	Ref	
371237		A	372237	C	
371238		B	372238	D	
Art	Factory Code	Spare part Code	Descrizione	Description	Ref. /Notes
1	510823202	0C2570	GRIGLIA GOLOSA GHISA	CAST IRON GRID	2pcs x A,C
1	510823302	0C2571	GRIGLIA GOLOSA GHISA	CAST IRON GRID	4pcs x B,D
2a	500899400	0CB249	PARETE POST. PARASPRUZZI	BACK PANEL SPLASHBACK	A,C 400 mm
2a	500899300	0CA355	PARETE POST. PARASPRUZZI	BACK PANEL SPLASHBACK	B,D 800 mm
2b	500899100	0CA353	PARETE SINISTRA PARASPRUZZI	LEFT PANEL SPLASHBACK	Depth 700
2c	500899200	0CA354	PARETE DESTRA PARASPRUZZI	RIGHT PANEL SPLASHBACK	Depth 700
3	87089Q500	*	TOP	TOP	A ELUX 400 mm
3	87089Q400	*	TOP	TOP	B ELUX 800 mm
3	87089QB00	*	TOP	TOP	C ZAN 400 mm
3	87089QA00	*	TOP	TOP	D ZAN 800 mm
4	835856900	0C0204	PIEDE	FOOT	
5	85089FD01	*	FIANCO (FASCIA LATERALE)	SIDE PANEL	B ELUX 400 mm
5	85089FF01	0C8598	FIANCO (FASCIA LATERALE)	SIDE PANEL	A ELUX 800 mm
5	85089FH01	*	FIANCO (FASCIA LATERALE)	SIDE PANEL	C ZAN 400 mm
5	85089FJ01	*	FIANCO (FASCIA LATERALE)	SIDE PANEL	D ZAN 800 mm
6	85589C502	0C7592	CRUSCOTTO ½ MODULO	FRONT PANEL ½ MODULE	A ELUX 400 mm
6	85589C602	0C7593	CRUSCOTTO 1 MOD	FRONT PANEL	B ELUX 800 mm
6	85589CG02	0C7594	CRUSCOTTO ½ MODULO	FRONT PANEL ½ MODULE	C ZAN 400 mm
6	87089FC02	0C7608	CRUSCOTTO 1 MOD	FRONT PANEL	D ZAN 800 mm
7	515899B01	0C6797	MANIGLIA	HANDLE	A,B
7	50389V000	0C7564	MANIGLIA	HANDLE	C,D
8	500R01702	0C6891	SUPPORTO MANIGLIA	HANDLE SUPPORT	
9	530R01802	0C6823	TAPPO MANIGLIA	HANDLE PLUG	
10	54887AV00	0C8645	MANOPOLA ELUX COMPLETA	KNOB ASSEMBLY, COMPLETE	A,B (with .art 14)
10	548878101	0C7425	MANOPOLA ZAN	KNOB	C,D
11	548876S01	0C6671	GHIERA PER COMMUTATOTE	KNOB RING, SELECTOR	A,B
11	548879G00	0C7244	GHIERA PER COMMUTATOTE	KNOB RING, SELECTOR	C,D
12	218912211	069567	MOLLETTA PER GHIERA	RING, RING KNOB	
13	541813800	0C6171	RONDELLA IN SILICONE	SILICONE ORING	
14	54887AP00	0C8714	ADATTATORE MANOPOLA	KNOB ADAPTER	A,B
16	543821000	053816	GUARNIZIONE MANOPOLA	KNOB GASKET	
17	527850500	0C0156	PIASTRA FISSAGGIO FIANCHI	SIDE PANELS JOINTING PLATE	
18	522896202	0C2703	PANNELLO FRONTALE	FRONT PANEL	A,C
18	522896302	*	PANNELLO FRONTALE	FRONT PANEL	B,D
19	83089KH00	0C9974	RASCHIETTO	GRILL SCRAPER	
20	85089D701	0CA005	CASSETTO (senza maniglia)	DRAWER (without handle)	1pcs x A,C
21	514885600	059299	MANIGLIA OLIO, INT. CASSETTO	INNER OIL DRAWER HANDLE	
22	219293205	0C0477	COPPIGLIA MANIGLIA	PIN HANDLE STOPPER	
23	*	0C9655	KIT, STAFFA OTTONE E VITI	KIT, COPPER BRAKET & SCREWS	KIT

* =Component on demand / componente a richiesta

** = Bold text = changes / Grassetto = cambiamenti

Start production wk 37-2014 / **PAG 4** Document Ed.1 / 10 2017

Doc. 59785T200

PNC		Ref	PNC	Ref	
371237		A	372237	C	
371238		B	372238	D	
Art	Factory Code	Spare part Code	Descrizione	Description	Ref. /Notes
30	517873803	0C0480	CONDUTTURA PILOTA destra	PILOT PIPE right	A,C
31	516895301	0C5031	CONDUTTURA PILOTA sinistra	PILOT PIPE left	B,D
32	853894301	0C2935	RIBALTA	MAIN GAS PIPE, MANIFOLD	A,C
32	853894401	0CA006	RIBALTA	MAIN GAS PIPE, MANIFOLD	B,D
33	80589BY00	0C9198	CAVETTO ACCENSIONE PIEZO	IGNITION CABLE, PIEZO	
34	W00501200	*	DADO	NUT	
34	511833800	*	DADO	NUT	Installed on art.35
35	85589G701	0CA967	CONDUTTURA CON DADO	GAS PIPE WITH NUT	
37	215199700	052127	BICONO PILOTA - RUBINETTO GAS	DOUBLE CONE, PILOT - GAS TAP	
38	830897000	0C0488	ELETTRODO; ACCENSIONE	ELECTRODE	
39	830853101	051119	TERMOCOPPIA	THERMOCOUPLE	
40	835857202	0C0205	RUBINETTO GAS	GAS TAP	
41	511805801	059375	PORTAUGELLO	NOZZLE HOLDER	
42	214105101	020997	CONTRODADO	LOCK NUT	
43	215088100	052062	BOCCOLA REGOLAZIONE ARIA	BUSH, AIR REGULATION	
44	853894505	0CA966	BRUCIATORE DESTRO	RIGHT BURNER	
44	851815802	0CA965	BRUCIATORE SINISTRO	LEFT BURNER	
45	214164400	052125	RACCORDO PILOTA	PIPE FITTING, PILOT	
46	215073101	060325	BICONO TUBO GAS	DOUBLE CONE GAS PIPE	BURNER
47	215199700	052127	BICONO PILOTA	DOUBLE CONE, PILOT	
48	514829301		DADO	NUT	
49	835834900	002605	ACCENDITORE PIEZO	PIEZOELECTRIC IGNITER	
50	214162000	0C0121	RACCORDO TERMOCOPPIA	PIPE FITTING, THERMOCOUPLE	
51	x				
52	x				
53	830894900	0C0494	PILOTA	PILOT	
54	50489S700	0CA459	TEGOLO RADIANTE	RADIANT PLATES	A,C
54	50489S600	0CA458	TEGOLO RADIANTE	RADIANT PLATES	B,D
55	50189CF00		SUPPORTO TEGOLI	SUPPORT, RAD. PLATE	A,C
55	50189CD00		SUPPORTO TEGOLI	SUPPORT, RAD. PLATE	B,D
57	516863902	0C0140	FILTRO PER TUBO	PIPE FILTER	
58	246519500		TAPPO PER RIBALTA	MANIFOLD STOPPER	
59	50489QW00		PARETE LATERALE.CAMERA COMB	SIDE PANEL COMB. CHAMBER	
60	50489R000	*	PARETE ANT.CAMERA COMB	FRONT PANEL COMB. CHAMBER	A,C
60	50489QY00	*	PARETE ANT.CAMERA COMB	FRONT PANEL COMB. CHAMBER	B,D
61	50489QT00	*	ELEMENTO CENTRALE CAMERA	CENTER DEFLECTOR	
63	50489Q100	*	PARETE POSTERIORE.CAMERA COMB	BACK PANEL COMB. CHAMBER	A,C
63	50489PY00	*	PARETE POSTERIORE.CAMERA COMB	BACK PANEL COMB. CHAMBER	B,D

* =Component on demand / componente a richiesta

** = Bold text = changes / Grassetto = cambiamenti

Start production wk 37-2014 / **PAG 5** Document Ed.2 / 01 2017

Doc. 59785T200

Gas nozzles / Ugelli gas

A - Ugello bruciatore / Burner nozzle			
Spare Code	Ref. / Notes		
058335	ø2.05	2H/2E+	G20 20mbar
0A2301	ø1.95	2H	G20 25mbar
0A2081	ø2.30	2ELL	G25 20mbar
059418	ø2.15	2L	G25 25mbar
0A2083	ø2.20	2S	G25.1 25mbar
0A2533	ø1.35	3+3B/P	G30 30mbar
0A2101	ø1.25	3B/P	G30 37mbar
059314	ø1.15	3B/P	G30 50mbar
058980	ø2.45	No CE	G20 10mbar
059423	ø4.60	1a	G110
0C0703	ø4.20	1b	G120

B - Ugello pilota / Pilot nozzle			
Spare Code	Ref./ Notes		
056656	n°35	2H/2E+	G20 20mbar
056656	n°35	2H	G20 25mbar
056656	n°35	2ELL	G25 20mbar
056656	n°35	2L	G25 25mbar
056656	n°35	2S	G25.1 25mbar
058330	n°25	3+3B/P	G30 30mbar
058330	n°25	3B/P	G30 37mbar
058330	n°25	3B/P	G30 50mbar
058330	n°35	No CE	G20 10mbar
056798	n°70	1a	G110
056798	n°70	1b	G120

C - Vite di minimo / Min screw			
Spare Code	Ref./ Notes		
0CA964	n°160	2H/2E+	G20 20mbar
0CA964	n°160	2H	G20 25mbar
0CA964	n°160	2ELL	G25 20mbar
0CA964	n°160	2L	G25 25mbar
0CA964	n°160	2S	G25.1 25mbar
002392	n°95	3+3B/P	G30 30mbar
002392	n°95	3B/P	G30 37mbar
056743	n°80	3B/P	G30 50mbar
-	adjust	No CE	G20 10mbar
-	adjust	1a	G110
-	adjust	1b	G120

* =Component on demand / componente a richiesta

** = Bold text = changes / Grassetto = cambiamenti

Start production wk 37-2014 / **PAG 6** Document Ed.2 / 01 2017

Doc. **59785T200**