

| PNC | Model | Ref | Brand | Notes |
|------------|--------------|------------|--------------|---------------------|
| 371237 | E7GRGDGCFU | A | ELX | GRILL ON BASE 400MM |
| 371238 | E7GRGHGCFU | B | ELX | GRILL ON BASE 800MM |
| 372237 | Z7GRGDGCFU | C | ZAN | GRILL ON BASE 400MM |
| 372238 | Z7GRGHGCFU | D | ZAN | GRILL ON BASE 800MM |

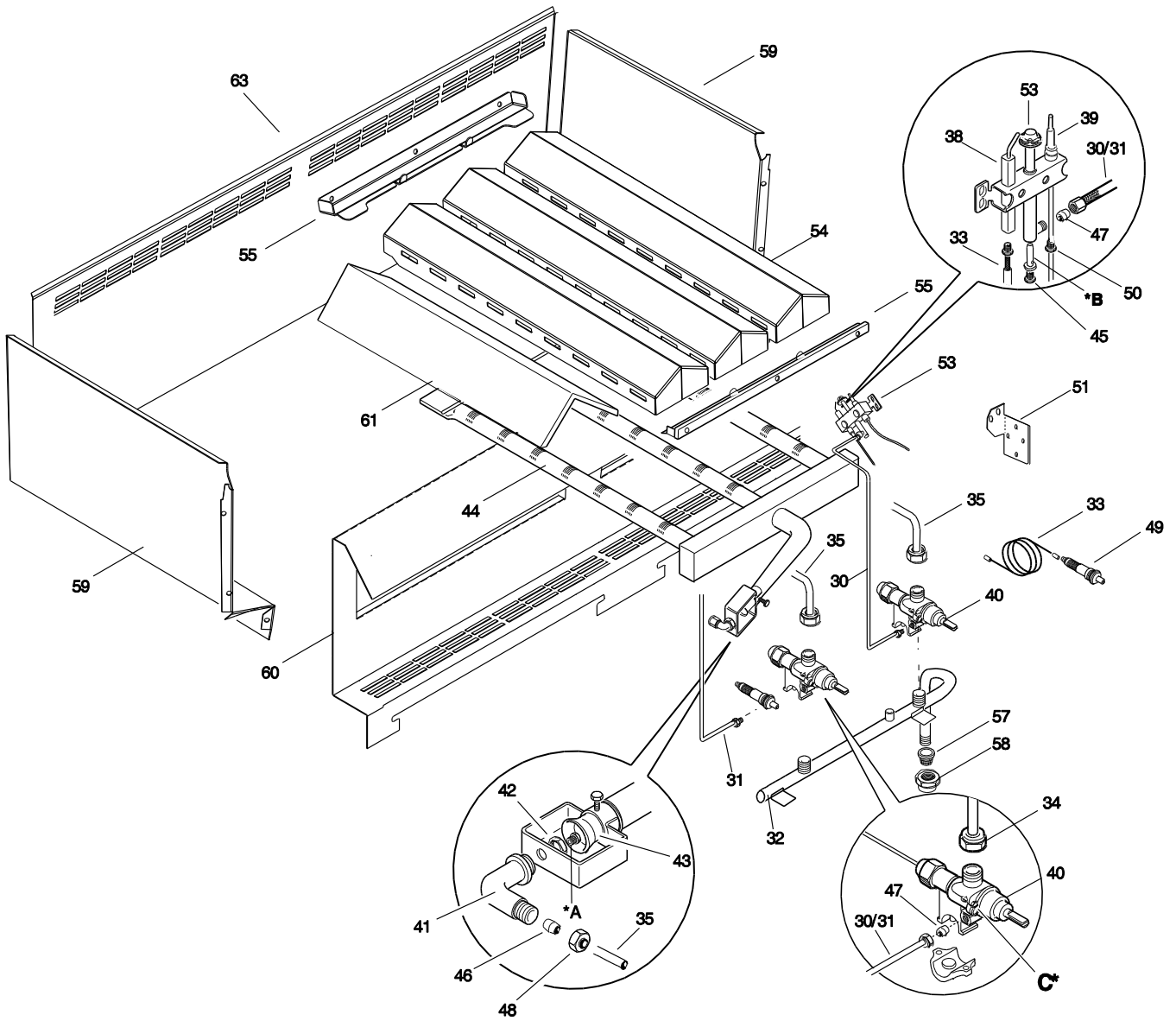
| Pag | Index | Indice |
|------------|-------------------|----------------------|
| 2 | General componets | Componenti struttura |
| 3 | Gas components | Componenti gas |
| 4,5 | Spare parts list | Lista ricambi |
| 6 | Gas nozzels | Ugelli gas |

* =Component on demand / componente a richiesta

** = Bold text = changes / Grassetto = cambiamenti

Start production wk 37-2014 / **PAG 1** Document Ed.3 / 12 2017

Doc. **59785T200**



* =Component on demand / componente a richiesta
 ** = Bold text = changes / Grassetto = cambiamenti
 Start production wk 37-2014 / **PAG 3** Document Ed.3 / 09 2014

Doc. **59785T200**

| PNC | | Ref | PNC | Ref | | |
|--------|--------------|-----------------|------------------------------|-----------------------------|--------------------|--|
| 371237 | | A | 372237 | C | | |
| 371238 | | B | 372238 | D | | |
| Art | Factory Code | Spare part Code | Descrizione | Description | Ref. /Notes | |
| 1 | 510823202 | 0C2570 | GRIGLIA GOLOSA GHISA | CAST IRON GRID | 2pcs x A,C | |
| 1 | 510823302 | 0C2571 | GRIGLIA GOLOSA GHISA | CAST IRON GRID | 4pcs x B,D | |
| 2a | 500899400 | 0CB249 | PARETE POST. PARASPRUZZI | BACK PANEL SPLASHBACK | A,C 400 mm | |
| 2a | 500899300 | 0CA355 | PARETE POST. PARASPRUZZI | BACK PANEL SPLASHBACK | B,D 800 mm | |
| 2b | 500899100 | 0CA353 | PARETE SINISTRA PARASPRUZZI | LEFT PANEL SPLASHBACK | Depth 700 | |
| 2c | 500899200 | 0CA354 | PARETE DESTRA PARASPRUZZI | RIGHT PANEL SPLASHBACK | Depth 700 | |
| 3 | 87089Q500 | * | TOP | TOP | A ELUX 400 mm | |
| 3 | 87089Q400 | * | TOP | TOP | B ELUX 800 mm | |
| 3 | 87089QB00 | * | TOP | TOP | C ZAN 400 mm | |
| 3 | 87089QA00 | * | TOP | TOP | D ZAN 800 mm | |
| 4 | 835856900 | 0C0204 | PIEDE | FOOT | | |
| 5 | 85089FD01 | * | FIANCO (FASCIA LATERALE) | SIDE PANEL | B ELUX 400 mm | |
| 5 | 85089FF01 | 0C8598 | FIANCO (FASCIA LATERALE) | SIDE PANEL | A ELUX 800 mm | |
| 5 | 85089FH01 | * | FIANCO (FASCIA LATERALE) | SIDE PANEL | C ZAN 400 mm | |
| 5 | 85089FJ01 | * | FIANCO (FASCIA LATERALE) | SIDE PANEL | D ZAN 800 mm | |
| 6 | 85589C502 | 0C7592 | CRUSCOTTO ½ MODULO | FRONT PANEL ½ MODULE | A ELUX 400 mm | |
| 6 | 85589C602 | 0C7593 | CRUSCOTTO 1 MOD | FRONT PANEL | B ELUX 800 mm | |
| 6 | 85589CG02 | 0C7594 | CRUSCOTTO ½ MODULO | FRONT PANEL ½ MODULE | C ZAN 400 mm | |
| 6 | 87089FC02 | 0C7608 | CRUSCOTTO 1 MOD | FRONT PANEL | D ZAN 800 mm | |
| 7 | 515899B01 | 0C6797 | MANIGLIA | HANDLE | A,B | |
| 7 | 50389V000 | 0C7564 | MANIGLIA | HANDLE | C,D | |
| 8 | 500R01702 | 0C6891 | SUPPORTO MANIGLIA | HANDLE SUPPORT | | |
| 9 | 530R01802 | 0C6823 | TAPPO MANIGLIA | HANDLE PLUG | | |
| 10 | 54887AV00 | 0C8645 | MANOPOLA ELUX COMPLETA | KNOB ASSEMBLY, COMPLETE | A,B (with .art 14) | |
| 10 | 548878101 | 0C7425 | MANOPOLA ZAN | KNOB | C,D | |
| 11 | 548876S01 | 0C6671 | GHIERA PER COMMUTATOTE | KNOB RING, SELECTOR | A,B | |
| 11 | 548879G00 | 0C7244 | GHIERA PER COMMUTATOTE | KNOB RING, SELECTOR | C,D | |
| 12 | 218912211 | 069567 | MOLLETTA PER GHIERA | RING, RING KNOB | | |
| 13 | 541813800 | 0C6171 | RONDELLA IN SILICONE | SILICONE ORING | | |
| 14 | 54887AP00 | 0C8714 | ADATTATORE MANOPOLA | KNOB ADAPTER | A,B | |
| 16 | 543821000 | 053816 | GUARNIZIONE MANOPOLA | KNOB GASKET | | |
| 17 | 527850500 | 0C0156 | PIASTRA FISSAGGIO FIANCHI | SIDE PANELS JOINTING PLATE | | |
| 18 | 522896202 | 0C2703 | PANNELLO FRONTALE | FRONT PANEL | A,C | |
| 18 | 522896302 | * | PANNELLO FRONTALE | FRONT PANEL | B,D | |
| 19 | 83089KH00 | 0C9974 | RASCHIETTO | GRILL SCRAPER | | |
| 20 | 85089D701 | 0CA005 | CASSETTO (senza maniglia) | DRAWER (without handle) | 1pcs x A,C | |
| 21 | 514885600 | 059299 | MANIGLIA OLIO, INT. CASSETTO | INNER OIL DRAWER HANDLE | | |
| 22 | 219293205 | 0C0477 | COPPIGLIA MANIGLIA | PIN HANDLE STOPPER | | |
| 23 | * | 0C9655 | KIT, STAFFA OTTONE E VITI | KIT, COPPER BRAKET & SCREWS | KIT | |

* =Component on demand / componente a richiesta

** = Bold text = changes / Grassetto = cambiamenti

Start production wk 37-2014 / **PAG 4** Document Ed.3 / 10 2017

Doc. **59785T200**

| PNC | | Ref | PNC | Ref | | |
|--------|--------------|-----------------|-------------------------------|------------------------------|-------------|---------------------|
| 371237 | | A | 372237 | C | | |
| 371238 | | B | 372238 | D | | |
| Art | Factory Code | Spare part Code | Descrizione | Description | Ref. /Notes | |
| 30 | 517873803 | 0C0480 | CONDUTTURA PILOTA destra | PILOT PIPE right | A,C | |
| 31 | 516895301 | 0C5031 | CONDUTTURA PILOTA sinistra | PILOT PIPE left | B,D | |
| 32 | 853894301 | 0C2935 | RIBALTA | MAIN GAS PIPE, MANIFOLD | A,C | |
| 32 | 853894401 | 0CA006 | RIBALTA | MAIN GAS PIPE, MANIFOLD | B,D | |
| 33 | 80589BY00 | 0C9198 | CAVETTO ACCENSIONE PIEZO | IGNITION CABLE, PIEZO | | |
| 34 | W00501200 | * | DADO | NUT | | |
| 34 | 511833800 | * | DADO | NUT | | Installed on art.35 |
| 35 | 85589G701 | 0CA967 | CONDUTTURA CON DADO | GAS PIPE WITH NUT | | |
| 37 | 215199700 | 052127 | BICONO PILOTA - RUBINETTO GAS | DOUBLE CONE, PILOT - GAS TAP | | |
| 38 | 830897000 | 0C0488 | ELETTRODO; ACCENSIONE | ELECTRODE | | |
| 39 | 830853101 | 051119 | TERMOCOPPIA | THERMOCOUPLE | | |
| 40 | 835857202 | 0C0205 | RUBINETTO GAS | GAS TAP | | |
| 41 | 511805801 | 059375 | PORTAUGELLO | NOZZLE HOLDER | | |
| 42 | 214105101 | 020997 | CONTRODADO | LOCK NUT | | |
| 43 | 215088100 | 052062 | BOCCOLA REGOLAZIONE ARIA | BUSH, AIR REGULATION | | |
| 44 | 853894505 | 0CA966 | BRUCIATORE DESTRO | RIGHT BURNER | | |
| 44 | 851815802 | 0CA965 | BRUCIATORE SINISTRO | LEFT BURNER | | |
| 45 | 214164400 | 052125 | RACCORDO PILOTA | PIPE FITTING, PILOT | | |
| 46 | 215073101 | 060325 | BICONO TUBO GAS | DOUBLE CONE GAS PIPE | BURNER | |
| 47 | 215199700 | 052127 | BICONO PILOTA | DOUBLE CONE, PILOT | | |
| 48 | 514829301 | | DADO | NUT | | |
| 49 | 835834900 | 002605 | ACCENDITORE PIEZO | PIEZOELECTRIC IGNITER | | |
| 50 | 214162000 | 0C0121 | RACCORDO TERMOCOPPIA | PIPE FITTING, THERMOCOUPLE | | |
| 51 | x | | | | | |
| 52 | x | | | | | |
| 53 | 830894900 | 0C0494 | PILOTA | PILOT | | |
| 54 | 50489S700 | 0CA459 | TEGOLO RADIANTE | RADIANT PLATES | A,C | |
| 54 | 50489S600 | 0CA458 | TEGOLO RADIANTE | RADIANT PLATES | B,D | |
| 55 | 50189CF00 | | SUPPORTO TEGOLI | SUPPORT, RAD. PLATE | A,C | |
| 55 | 50189CD00 | | SUPPORTO TEGOLI | SUPPORT, RAD. PLATE | B,D | |
| 57 | 516863902 | 0C0140 | FILTRO PER TUBO | PIPE FILTER | | |
| 58 | 246519500 | | TAPPO PER RIBALTA | MANIFOLD STOPPER | | |
| 59 | 50489QW00 | | PARETE LATERALE.CAMERA COMB | SIDE PANEL COMB. CHAMBER | | |
| 60 | 50489R000 | * | PARETE ANT.CAMERA COMB | FRONT PANEL COMB. CHAMBER | A,C | |
| 60 | 50489QY00 | * | PARETE ANT.CAMERA COMB | FRONT PANEL COMB. CHAMBER | B,D | |
| 61 | 50489QT00 | * | ELEMENTO CENTRALE CAMERA | CENTER DEFLECTOR | | |
| 63 | 50489Q100 | * | PARETE POSTERIORE.CAMERA COMB | BACK PANEL COMB. CHAMBER | A,C | |
| 63 | 50489PY00 | * | PARETE POSTERIORE.CAMERA COMB | BACK PANEL COMB. CHAMBER | B,D | |

* =Component on demand / componente a richiesta

** = Bold text = changes / Grassetto = cambiamenti

Start production wk 37-2014 / **PAG 5** Document Ed.3 / 01 2017

Doc. 59785T200

Gas nozzles / Ugelli gas

| A - Ugello bruciatore / Burner nozzle | | | |
|--|--------------|--------|--------------|
| Spare Code | Ref. / Notes | | |
| 0A2533 | ø1.35 | 3+3B/P | G30 30mbar |
| 0A2101 | ø1.25 | 3B/P | G30 37mbar |
| 059314 | ø1.15 | 3B/P | G30 50mbar |
| 058335 | ø2.05 | 2H/2E+ | G20 20mbar |
| 0A2301 | ø1.95 | 2H | G20 25mbar |
| 059418 | ø2.15 | 2L | G25 25mbar |
| 0A2105 | ø2.10 | 2K | G25.3 25mbar |
| 0A2081 | ø2.30 | 2ELL | G25 20mbar |
| 0A2083 | ø2.20 | 2S | G25.1 25mbar |
| 059423 | ø4.60 | 1a | G110 8mbar |
| 0C0703 | ø4.20 | 1b | G120 8mbar |

| B - Ugello pilota / Pilot nozzle | | | |
|---|-------------|--------|--------------|
| Spare Code | Ref./ Notes | | |
| 058330 | n°25 | 3+3B/P | G30 30mbar |
| 058330 | n°25 | 3B/P | G30 37mbar |
| 058330 | n°25 | 3B/P | G30 50mbar |
| 056656 | n°35 | 2H/2E+ | G20 20mbar |
| 056656 | n°35 | 2H | G20 25mbar |
| 056656 | n°35 | 2L | G25 25mbar |
| 056656 | n°35 | 2K | G25.3 25mbar |
| 056656 | n°35 | 2ELL | G25 20mbar |
| 056656 | n°35 | 2S | G25.1 25mbar |
| 056798 | n°70 | 1a | G110 8mbar |
| 056798 | n°70 | 1b | G120 8mbar |

| C - Vite di minimo / Min screw | | | |
|---------------------------------------|-------------|--------|--------------|
| Spare Code | Ref./ Notes | | |
| 002392 | n°95 | 3+3B/P | G30 30mbar |
| 002392 | n°95 | 3B/P | G30 37mbar |
| 056743 | n°80 | 3B/P | G30 50mbar |
| 0CA964 | n°160 | 2H/2E+ | G20 20mbar |
| 0CA964 | n°160 | 2H | G20 25mbar |
| 0CA964 | n°160 | 2L | G25 25mbar |
| 0CA964 | n°160 | 2K | G25.3 25mbar |
| 0CA964 | n°160 | 2ELL | G25 20mbar |
| 0CA964 | n°160 | 2S | G25.1 25mbar |
| - | adjust | 1a | G110 8mbar |
| - | adjust | 1b | G120 8mbar |

* =Component on demand / componente a richiesta

** = Bold text = changes / Grassetto = cambiamenti

Start production wk 37-2014 / **PAG 6** Document Ed.3 / 12 2017

Doc. **59785T200**