

<b>PNC</b>	<b>Model</b>	<b>Ref</b>	<b>Brand</b>	<b>Version</b>	<b>Notes</b>
391270	E9GREDGCFU	A	ELX	EL	ELECTRIC GRILL 400 MM
391271	E9GREHGCFU	B	ELX	EL	ELECTRIC GRILL 800 MM
392270	Z9GREDGCFU	C	ZAN	EL	ELECTRIC GRILL 400 MM
392271	Z9GREHGCFU	D	ZAN	EL	ELECTRIC GRILL 800 MM
393270	A9GREDGCFU	E	OEM	EL	ELECTRIC GRILL 400 MM
393271	A9GREHGCFU	F	OEM	EL	ELECTRIC GRILL 800 MM

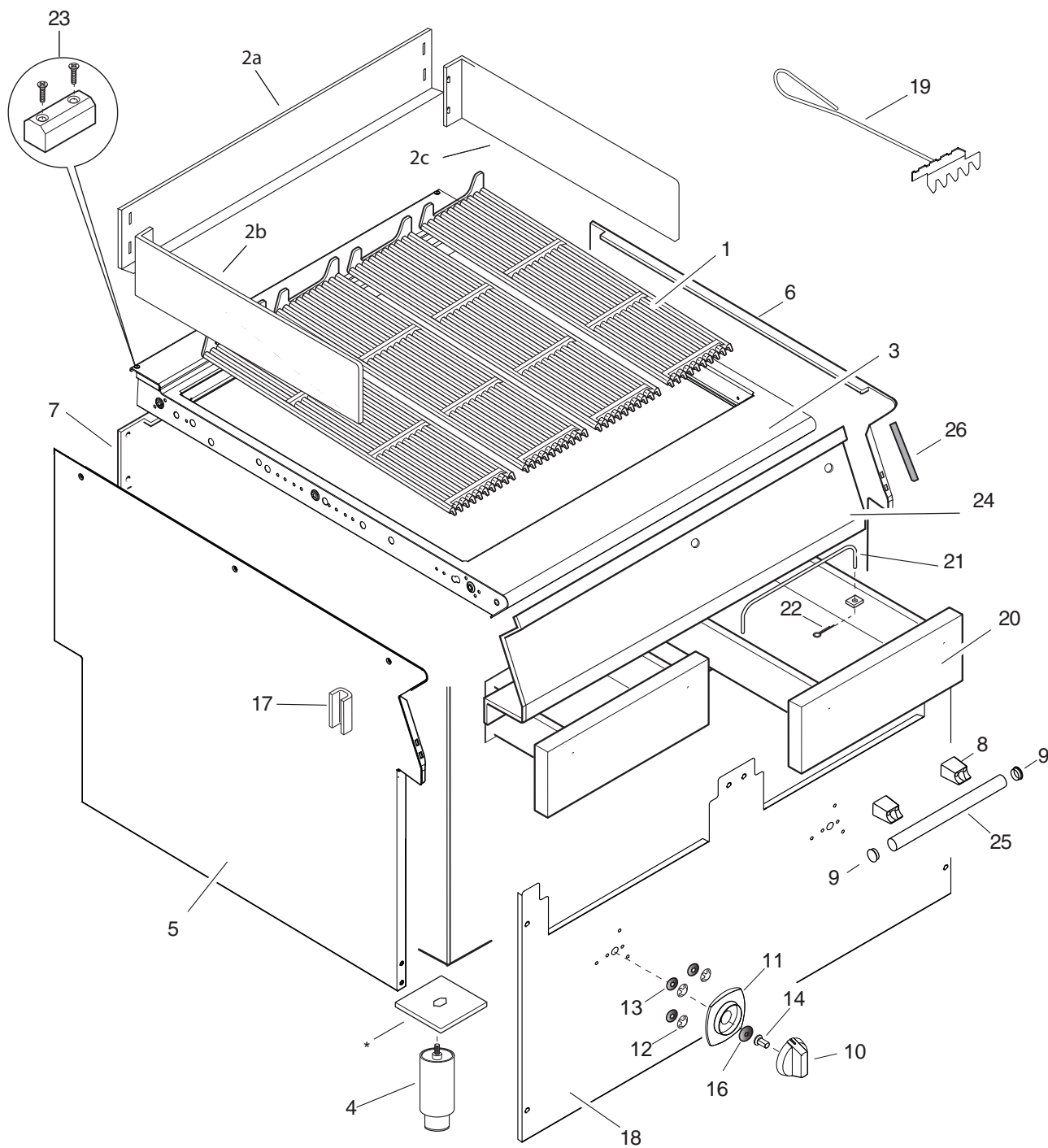
<b>Pag</b>	<b>Index</b>	<b>Indice</b>
2	General componets	Componenti struttura
3	Electric components	Componenti elettrici
4	Spare parts list	Lista ricambi

\* =Component on demand / componente a richiesta

\*\* = Bold text = changes / Grassetto = cambiamenti

PAG 1 Document Ed.1 / 09 2014

**Doc. 59785T300**

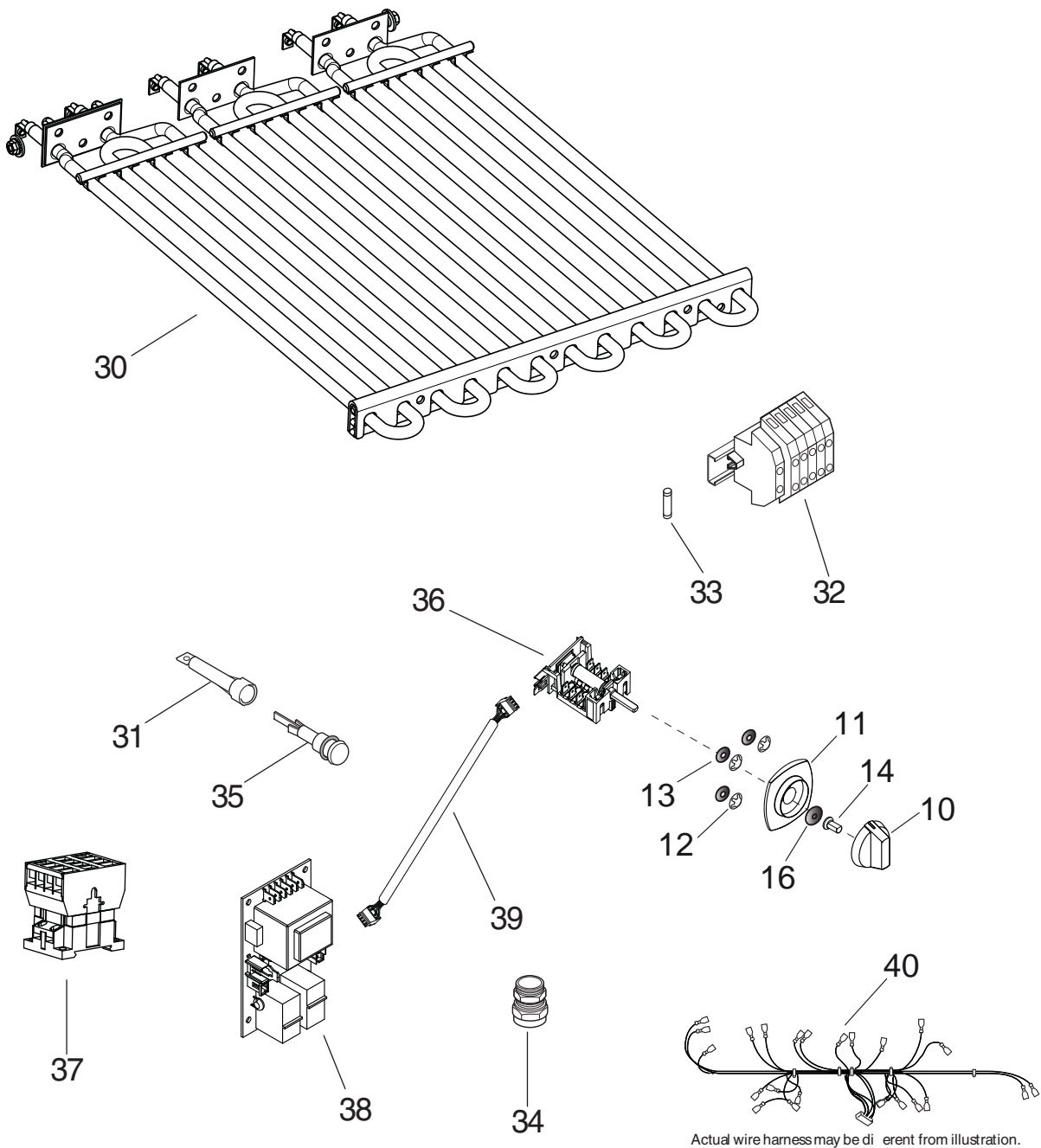


\* =Component on demand / componente a richiesta

\*\* = Bold text = changes / Grassetto = cambiamenti

PAG 2 Document Ed.1 / 09 2014

Doc. **59785T300**



\* =Component on demand / componente a richiesta

\*\* = Bold text = changes / Grassetto = cambiamenti

PAG 3 Document Ed.1 / 09 2014

Doc. **59785T300**

PNC		Ref	PNC		Ref	PNC		Ref
400mm	391270	A	392270	C	393270	E		
800mm	391271	B	392271	D	393271	F		
Art	Factory Code	Spare part Code	Descrizione	Description	Ref. /Notes			
1	510820803	0C0450	GRIGLIA GOLOSA GHISA	CAST IRON GRID	2pcs A,C,E 4pcs B,D,F			
2a	500899400	*	PARETE POST. PARASPRUZZI	BACK PANEL SPLASHBACK	A,C,E			
	500899300	*	PARETE POST. PARASPRUZZI	BACK PANEL SPLASHBACK	B,D,F			
2b	500899B00	*	PARETE SINISTRA PARASPRUZZI	LEFT PANEL SPLASHBACK	Depth 900			
2c	500899C00	*	PARETE DESTRA PARAS PRUZZI	RIGHT PANEL SPLASHBACK	Depth 900			
3	87089Q300	*	RIPIANO, TOP	TOP	A,			
	87089Q200	*	RIPIANO, TOP	TOP	B			
	87089Q900	*	RIPIANO, TOP	TOP	C,E			
	87089Q800	*	RIPIANO, TOP	TOP	D,F			
4	835856900	0C0204	PIEDE	FOOT				
5	<b>050389HH00</b>	<b>0CB151</b>	<b>FIANCO SINISTRO</b>	<b>LEFT PANEL</b>	<b>A,B</b>			
	<b>050389HK00</b>	<b>0CB152</b>	<b>FIANCO SINISTRO</b>	<b>LEFT PANEL</b>	<b>C,D,E,F</b>			
6	<b>050389HJ00</b>	<b>0CB153</b>	<b>FIANCO DESTRO</b>	<b>RIGHT PANEL</b>	<b>A,B</b>			
	<b>050389HL00</b>	<b>0CB154</b>	<b>FIANCO DESTRO</b>	<b>RIGHT PANEL</b>	<b>C,D,E,F</b>			
7	538844701		PANNELLO POSTERIORE	BACK PANEL	A,C,E 400 mm			
	538844802		PANNELLO POSTERIORE	BACK PANEL	B,D,F 800 mm			
8	500R01702	0C6891	SUPPORTO MANIGLIA	HANDLE SUPPORT				
9	530R01802	0C6823	TAPPO MANIGLIA	HANDLE PLUG				
10	548877W00	0C8700	MANOPOLA ELUX	KNOB	A,B WITH ADAPTER			
	548878201	0C7232	MANOPOLA	KNOB	C,D,E,F			
11	54887B500	*	GHIERA PER COMMUTATOTE	KNOB RING, SELECTOR	A,B			
	54887B600	0C9970	GHIERA PER COMMUTATOTE	KNOB RING, SELECTOR	C,D,E,F			
12	218912211	069567	MOLLETTA PER GHIERA	RING, RING KNOB				
13	541813800	0C6171	RONDELLA IN SILICONE	SILICONE ORING				
14	548877V00	0C7345	ADATTATORE MANOPOLA	KNOB ADAPTER	A,B			
16	543821000	053816	GUARNIZIONE MANOPOLA	KNOB GASKET				
17	527850500	0C0156	PIASTRA FISSAGGIO FIANCHI	SIDE PANELS JOINTING PLATE				
18	80083A600	*	PANNELLO FRONTALE	FRONT PANEL	A,C,E			
	80083A700	*	PANNELLO FRONTALE	FRONT PANEL	B,D,F			
19	83089KH00	0C9974	RASCHIETTO	GRILL SCRAPER				
20	85089D501	OCA004	CASSETTO (senza maniglia)	DRAWER (without handle)	1pcs A,C,E 2pcs B,D,F			
21	514885600	059299	MANIGLIA OLIO, INTERNO CASSETTO	INNER OIL DRAWER HANDLE				
22	219293205	0C0477	COPPIGLIA MANIGLIA	PIN HANDLE STOPPER				
23	*	0C9655	PIASTRA UNIONE POSTERIORE	JOINTING REAR PLATE	KIT :SCREWS & PLATE			
24	85089MG00	*	CRUSCOTTO ½ MODULO	FRONT PAMEL ½ MODULE	A ELUX 400 mm			
	85089MN00	*	CRUSCOTTO 1 MOD	FRONT PANEL	B ELUX 800 mm			
	85589GJ00	0CA038	CRUSCOTTO ½ MODULO	FRONT PAMEL ½ MODULE	C ZAN 400 mm			
	85089MQ00	*	CRUSCOTTO 1 MOD	FRONT PANEL	D ZAN 800 mm			
	85089MM00	*	CRUSCOTTO ½ MODULO	FRONT PAMEL ½ MODULE	E OEM 400 mm			
	85089MP00	*	CRUSCOTTO 1 MOD	FRONT PANEL	F OEM 800 mm			
25	515899B01	0C6797	MANIGLIA CASSETTO	DRAWER HANDLE	A,B			
	50389V000	0C7564	MANIGLIA CASSETTO	DRAWER HANDLE	C,D,E,F			
26	0543821900	0C2496	GUARNIZIONE PER CRUSCOTTO	GASKET FOR CONTROL PANEL				
30	0617839P00	OCA001	RESISTENZA 2500W	HEATING ELEMENT 2500W	3pcs x A,C,E 6pcs x B,D,F			
31	638865101	005370	RESISTENZA DI DISPERSIONE	LEAKAGE RESISTANCE				

\* =Component on demand / componente a richiesta

\*\* = Bold text = changes / Grassetto = cambiamenti

		PNC	Ref	PNC	Ref	PNC	Ref
<b>400mm</b>		391270	A	392270	C	393270	E
<b>800mm</b>		391271	B	392271	D	393271	F
Art	Factory Code	Spare part Code	Descrizione	Description	Ref. /Notes		
32	639811900	*	MORSETTIERA	MAIN TERMINAL BLOCK			
33	652806100	0C4996	FUSIBILE	FUSE	5X20MM 3,15AMP		
34	544802300	0C0068	PRESSACAVO	FIXING CABLE			
35	876800002	005010	LAMPADA SPIA VERDE	PILOT LAMP; GREEN			
36	641805900	0C9939	COMMUTATORE LINEARE GOTTAK	SELECTOR			
37	648807400	006879	CONTATTORE	RELAY			
38	673800600	0C9972	SCHEDA ELETTRONICA "SPARTA"	ELECTRONIC BOARD "SPARTA"			
39	*	0C9773	CAVETTO, SELETTORE/SPARTA	CABLE, SELECTOR/SPARTA	Just indicated cable		
40	634803M00		ASSIEME CAVI 1 MODULO	WIRING HARNESS	B/D		
	634803U00		ASSIEME CAVI ½ MODULO	WIRING HARNESS	A,C		
* =Component on demand / componente a richiesta ** = Bold text = changes / Grassetto = cambiamenti PAG 5 Document Ed.1 / 09 2014					<b>Doc. 59785T300</b>		