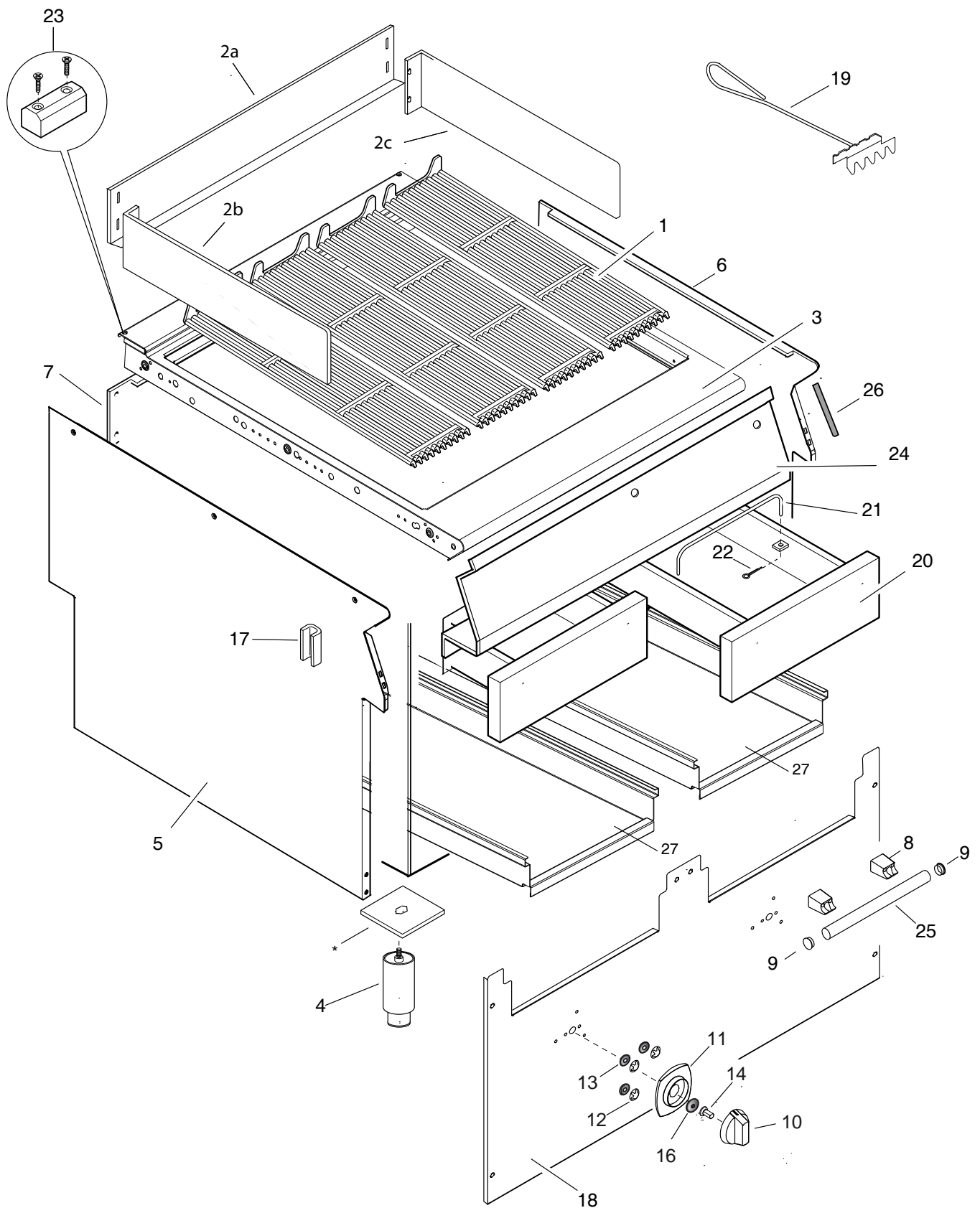


PNC	Model	Ref	Brand	Version	Notes
391266	E9GRGDGCFU	A	ELX	GAS	GAS GRILL 400 MM
391267	E9GRGHGCFU	B	ELX	GAS	GAS GRILL 800 MM
391268	E9GRTDGCFU	C	ELX	GAS	GAS GRILL 400 MM TOWN GAS
391269	E9GRTHGCFU	D	ELX	GAS	GAS GRILL 800 MM TOWN GAS
392266	Z9GRGDGCFU	E	ZAN	GAS	GAS GRILL 400 MM
392267	Z9GRGHGCFU	F	ZAN	GAS	GAS GRILL 800 MM
392268	Z9GRTDGCFU	G	ZAN	GAS	GAS GRILL 400 MM TOWN GAS
392269	Z9GRTHGCFU	H	ZAN	GAS	GAS GRILL 800 MM TOWN GAS
393266	A9GRGDGCFU	I	OEM	GAS	GAS GRILL 400 MM
393267	A9GRGHGCFU	J	OEM	GAS	GAS GRILL 800 MM

Pag	Index	Indice
2	General componets	Componenti struttura
3	Electric components	Componenti elettrici
4	Spare parts list	Lista ricambi

\* =Component on demand / componente a richiesta

\*\* = Bold text = changes / Grassetto = cambiamenti

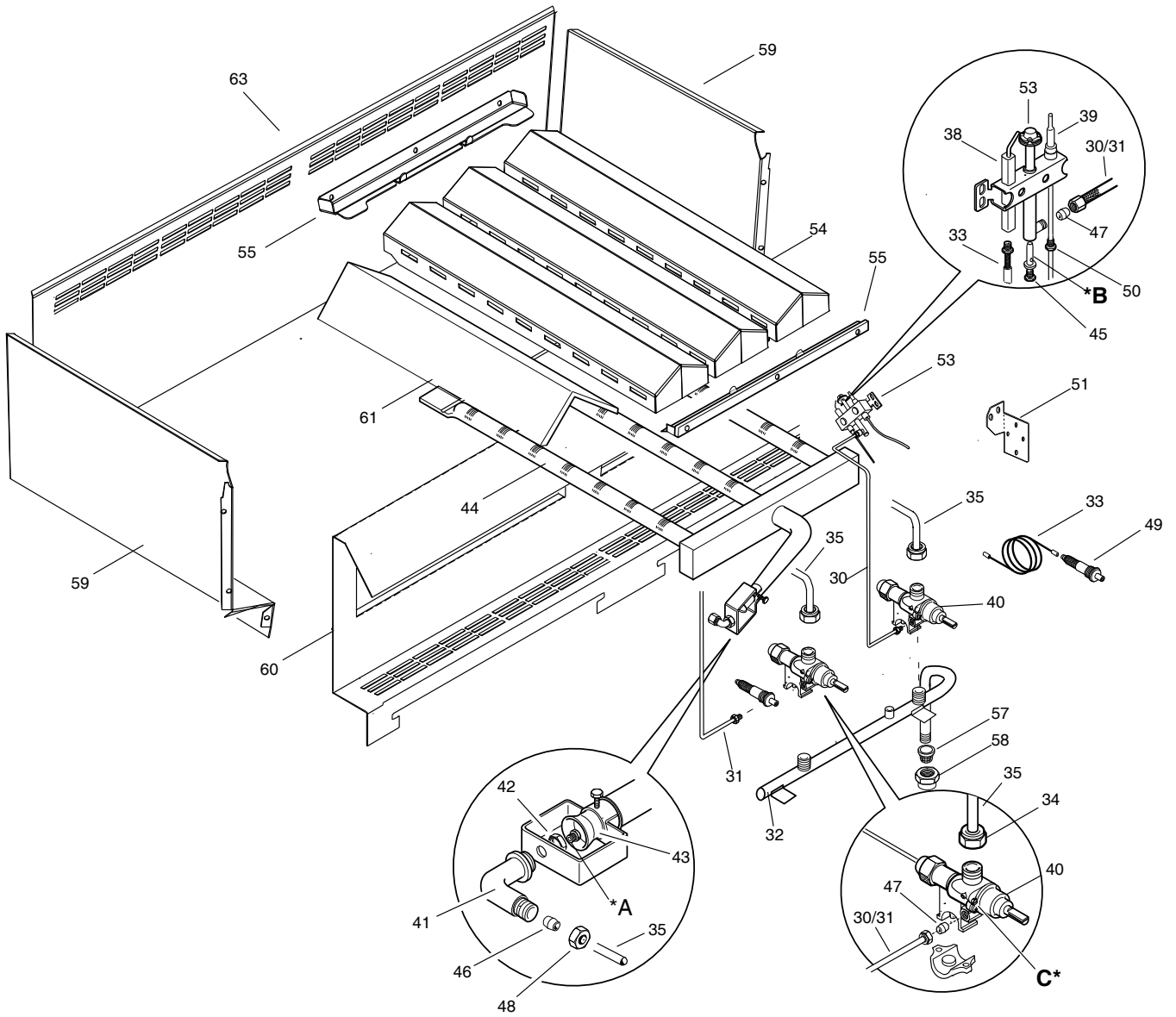


\* =Component on demand / componente a richiesta

\*\* = Bold text = changes / Grassetto = cambiamenti

PAG 2 Document Ed.5 / 01 2018

Doc. **59785T400**



\* =Component on demand / componente a richiesta

\*\* = Bold text = changes / Grassetto = cambiamenti

PAG 3 Document Ed.5 / 10 2017

Doc. **59785T400**

	ELX	ELX	ZAN	ZAN	OEM	
400MM	A= 391266	C= 391268	E= 392266	G= 392268	I= 393266	
800MM	B= 391267	D= 391269	F= 392267	H= 392269	J= 393267	
Art	Factory Code	Spare part Code	Descrizione	Description	Ref. /Notes	
1	510820803	0C0450	GRIGLIA GOLOSA GHISA	CAST IRON GRID	2pcs 400mm	
1	510820903	0C0424	GRIGLIA GOLOSA GHISA	CAST IRON GRID	4pcs 800mm	
2a	500899400	*	PARETE POST. PARASPRUZZI	BACK PANEL SPLASHBACK	400mm	
2a	500899300	*	PARETE POST. PARASPRUZZI	BACK PANEL SPLASHBACK	800mm	
<b>2b</b>	<b>500899B00</b>	<b>0CB423</b>	<b>PARETE SINISTRA PARASPRUZZI</b>	<b>LEFT PANEL SPLASHBACK</b>		
<b>2c</b>	<b>500899C00</b>	<b>0CB424</b>	<b>PARETE DESTRA PARAS PRUZZI</b>	<b>RIGHT PANEL SPLASHBACK</b>		
3	87089Q300	*	RIPIANO, TOP	TOP	ELUX 400mm	
3	87089Q200	*	RIPIANO, TOP	TOP	ELUX 800mm	
3	87089Q900	0CB533	RIPIANO, TOP	TOP	ZAN, OEM 400mm	
3	87089Q800	*	RIPIANO, TOP	TOP	ZAN, OEM 800mm	
4	835856900	0C0204	PIEDE	FOOT		
5	085089LZ00	OCA368	FIANCO SINISTRO	LEFT PANEL	ELUX	
5	085089M100	0CB152	FIANCO SINISTRO	LEFT PANEL	ZAN, OEM	
6	085089LY00	OCA378	FIANCO DESTRO	RIGHT PANEL	ELUX	
6	085089M000	OCA430	FIANCO DESTRO	RIGHT PANEL	ZAN, OEM	
7	538844701	OCA081	PANNELLO POSTERIORE	BACK PANEL	400 mm	
7	538844802		PANNELLO POSTERIORE	BACK PANEL	800 mm	
8	500R01702	0C6891	SUPPORTO MANIGLIA	HANDLE SUPPORT		
9	530R01802	0C6823	TAPPO MANIGLIA	HANDLE PLUG		
10	511850G01	0C6670	MANOPOLA ELUX	KNOB	ELUX WITH ADAPTER	
10	548865700	0C1380	MANOPOLA	KNOB	ZAN, OEM	
11	5488776S01	0C6671	GHIERA PER COMMUTATOTE	KNOB RING, SELECTOR	ELUX	
11	544879G00	0C7244	GHIERA PER COMMUTATOTE	KNOB RING, SELECTOR	ZAN, OEM	
12	218912211	069567	MOLLETTA PER GHIERA	RING, RING KNOB		
13	541813800	0C6171	RONDELLA IN SILICONE	SILICONE ORING		
14	548877V00	0C7345	ADATTATORE MANOPOLA	KNOB ADAPTER	ELUX	
16	543821000	053816	GUARNIZIONE MANOPOLA	KNOB GASKET		
17	527850500	0C0156	PIASTRA FISSAGGIO FIANCHI	SIDE PANELS JOINTING PLATE		
18	522896203	0C2703	PANNELLO FRONTALE	FRONT PANEL	400 mm	
<b>18</b>	<b>522896303</b>	<b>0CB330</b>	<b>PANNELLO FRONTALE</b>	<b>FRONT PANEL</b>	<b>800 mm</b>	
19	83089KH00	0C9974	RASCHIETTO	GRILL SCRAPER		
20	85089D501	OCA004	CASSETTO (senza maniglia)	DRAWER (without handle)		
21	514885600	059299	MANIGLIA OLIO, INTERNO CASSETTO	INNER OIL DRAWER HANDLE		
22	219293205	0C0477	COPPIGLIA MANIGLIA	PIN HANDLE STOPPER		
23	*	0C9655	PIASTRA UNIONE POSTERIORE	JOINTING REAR PLATE	KIT :SCREWS & PLATE	
24	85589C502	0C7592	CRUSCOTTO ½ MODULO	FRONT PAMEL ½ MODULE	A ELUX 400 mm	
24	85589C602	0C7593	CRUSCOTTO 1 MOD	FRONT PANEL	B ELUX 800 mm	
24	85589CG02	0C7594	CRUSCOTTO ½ MODULO	FRONT PAMEL ½ MODULE	C ZAN 400 mm	
24	87089FC02	0C7608	CRUSCOTTO 1 MOD	FRONT PANEL	D ZAN 800 mm	
24	87089HK03	OCA039	CRUSCOTTO ½ MODULO	FRONT PAMEL ½ MODULE	OEM 400 mm	
24	85589C602	0C7593	CRUSCOTTO 1 MOD	FRONT PANEL	OEM 800 mm	
25	515899B01	0C6797	MANIGLIA CASSETTO	DRAWER HANDLE	ELUX	
25	50389V000	0C7564	MANIGLIA CASSETTO	DRAWER HANDLE	ZAN, OEM	
26	0543821900	0C2496	GUARNIZIONE PER CRUSCOTTO	GASKET FOR CONTROL PANEL		
<b>27</b>	<b>050289GX00</b>	<b>0CB328</b>	<b>PROTEZIONE INFERIORE CASSETTO</b>	<b>LOWER PROTECTION DRAWER</b>		

\* =Component on demand / componente a richiesta

\*\* = Bold text = changes / Grassetto = cambiamenti

	ELX	ELX	ZAN	ZAN	OEM	
400MM	A= 391266	C= 391268	E= 392266	G= 392268	I= 393266	
800MM	B= 391267	D= 391269	F= 392267	H= 392269	J= 393267	
Art	Factory Code	Spare part Code	Descrizione	Description	Ref. /Notes	
30	513806500	0C5402	CONDUTTURA PILOTA destra	PILOT PIPE right	400mm up to 5281...	
30	51589C900	0CA426	CONDUTTURA PILOTA destra	PILOT PIPE right	400mm from 5291...	
30	51589B700	0CA036	CONDUTTURA PILOTA destra	PILOT PIPE right	800mm up to 5281...	
30	51589C800	0CA425	CONDUTTURA PILOTA destra	PILOT PIPE right	800mm from 5291...	
31	51589B600	0CA034	CONDUTTURA PILOTA destra	PILOT PIPE right	800mm up to 5281...	
31	51589CA00	0CA427	CONDUTTURA PILOTA destra	PILOT PIPE right	800mm from 5291...	
32	83089J100	0CA003	RIBALTA	MAIN GAS PIPE, MANIFOLD	400mm	
32	83089J000	0CA002	RIBALTA	MAIN GAS PIPE, MANIFOLD	800mm	
33	80589BY00	0C9198	CAVETTO ACCENSIONE PIEZO	IGNITION CABLE, PIEZO		
34	511833800	*	DADO	NUT	Installed on art.35	
35	85589FJ00	0CA007	CONDUTTURA CON DADO	GAS PIPE WITH NUT		
37	215199700	052127	BICONO PILOTA - RUBINETTO GAS	DOUBLE CONE, PILOT - GAS TAP		
38	830897000	0C0488	ELETTRODO; ACCENSIONE	ELECTRODE		
39	830852900	052814	TERMOCOPPIA	THERMOCOUPLE		
40	835875Q01	0C6758	RUBINETTO GAS	GAS TAP		
41	511805801	059375	PORTAUGELLO	NOZZLE HOLDER		
42	214105101	020997	CONTRODADO	LOCK NUT		
43	215088100	052062	BOCCOLA REGOLAZIONE ARIA	BUSH, AIR REGULATION		
44	835857003	0C3953	BRUCIATORE	BURNER	Up to 5281...	
44	83089L200	0CA385	BRUCIATORE	BURNER	From 5291...	
45	214164400	052125	RACCORDO PILOTA	PIPE FITTING, PILOT		
46	215073101	060325	BICONO, TUBO GAS	DOUBLE CONE, GAS PIPE	BURNER	
47	215199700	052127	BICONO, PILOTA	DOUBLE CONE, PILOT		
48	514829301		DADO	NUT		
49	835834900	002605	ACCENDITORE PIEZO	PIEZOELECTRIC IGNITER		
50	214162000	0C0121	RACCORDO TERMOCOPPIA	PIPE FITTING, THERMOCOUPLE		
51	50689D800	*	SUPPORTO PILOTA	PILOT BRACKET SUPPORT	Up to 5281...	
51	50689F600	*	SUPPORTO PILOTA	PILOT BRACKET SUPPORT	From 5291...	
53	830894900	0C0494	PILOTA	PILOT		
54	50489S900	0CA461	TEGOLO RADIANTE	RADIANT PLATES	400mm	
54	50489S800	0CA460	TEGOLO RADIANTE	RADIANT PLATES	800mm	
55	50189CF00		SUPPORTO TEGOLI RADIANTE	SUPPORT, RADIANT COVER	400mm	
55	50189CD00		SUPPORTO TEGOLI RADIANTE	SUPPORT, RADIANT COVER	800mm	
57	516863902	0C0140	FILTRO PER TUBO	PIPE FILTER		
58	246519500		TAPPO PER RIBALTA	MANIFOLD STOPPER		
59	50489PX01		PARETE LATERALE.CAMERA COMB	SIDE PANEL COMB. CHAMBER		
60	50489Q001	*	PARETE ANT.CAMERA COMB	FRONT PANEL COMB. CHAMBER	400mm	
60	50489PV01	*	PARETE ANT.CAMERA COMB	FRONT PANEL COMB. CHAMBER	800mm	
61	533859800	*	ELEMENTO CENTRALE CAMERA	CENTER DEFLECTOR		
63	50489Q100	*	PARETE POSTERIORE.CAMERA COMB	BACK PANEL COMB. CHAMBER	400mm	
63	50489PY00	*	PARETE POSTERIORE.CAMERA COMB	BACK PANEL COMB. CHAMBER	800mm	

\* =Component on demand / componente a richiesta

\*\* = Bold text = changes / Grassetto = cambiamenti

A - Vite di minimo / Min screw					
Factory Code	Spare part Code	Ref./ Notes			
835820700	056742	n°110	3+3B/P	G30 30mbar	
835820700	056742	n°110	3B/P	G30 37mbar	
835802000	002392	n° 95	3B/P	G30 50mbar	
835837000	002993	n°180	2H/2E+	G20 20mbar	
835837000	002993	n°180	2H	G20 25mbar	
835837000	002993	n°180	2L	G25 25mbar	
835837000	002993	n°180	2K	G25.3 25mbar	
835837000	002993	n°180	2ELL	G25 20mbar	
835837000	002993	n°180	2S	G25.1 25mbar	
		adjust	1a	G110 8mbar	
		adjust	1b	G120 8mbar	

B - Ugello pilota / Pilot nozzle					
Factory Code	Spare part Code	Ref./ Notes			
830860701	058330	n°25	3+3B/P	G30 30mbar	
830860701	058330	n°25	3B/P	G30 37mbar	
830860701	058330	n°25	3B/P	G30 50mbar	
830851201	056656	n°35	2H/2E+	G20 20mbar	
830851201	056656	n°35	2H	G20 25mbar	
830851201	056656	n°35	2L	G25 25mbar	
830851201	056656	n°35	2K	G25.3 25mbar	
830851201	056656	n°35	2ELL	G25 20mbar	
830851201	056656	n°35	2S	G25.1 25mbar	
A05414700	056798	n°70	1a	G110 8mbar	
A05414700	056798	n°70	1b	G120 8mbar	

C - Ugello bruciatore / Burner nozzle					
Factory Code	Spare part Code	Aereator regulation mm	Ref. / Notes		
A05157700	0A2089	20	ø1.60	3+3B/P	G30 30mbar
A05661600	059384	16	ø1.50	3B/P	G30 37mbar
A05157600	0A2082	16	ø1.40	3B/P	G30 50mbar
A05662000	0A5356	14	ø2.35	2H/2E+	G20 20mbar
A05176200	0A2083	14	ø2.20	2H	G20 25mbar
A05659500	059382	14	ø2.50	2L	G25 25mbar
A05662000	0A5356	14	ø2.35	2K	G25.3 25mbar
A05307000	0A2174	13	ø2.65	2ELL	G25 20mbar
A05659500	059382	13	ø2.50	2S	G25.1 25mbar
516867900	0C0449	14	ø5.40	1a	G110 8mbar
516832800	003951	14	ø4.70	1b	G120 8mbar

\* =Component on demand / componente a richiesta

\*\* = Bold text = changes / Grassetto = cambiamenti