

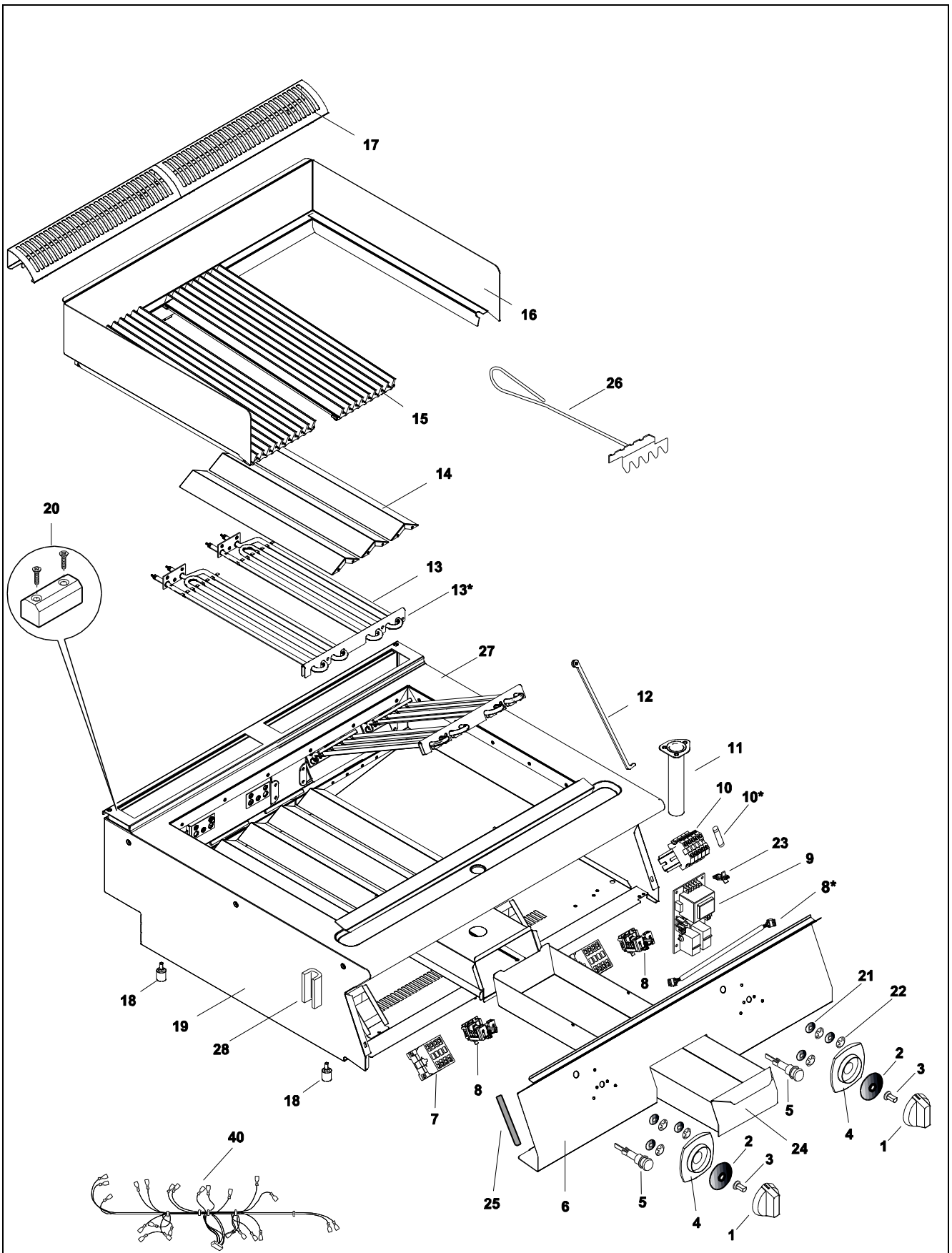
GAS GRILL TOP XP700
GRIGLIA GAS TOP XP700

PNC	MODEL	Ref	Description
371239	E7GREDGS0U	A	ELECTRIC GRILL TOP 400 MM
371240	E7GREHGS0U	B	ELECTRIC GRILL TOP 800 MM
372239	Z7GREDGS0U	C	ELECTRIC GRILL TOP 400 MM
372240	Z7GREHGS0U	D	ELECTRIC GRILL TOP 800 MM
373239	A7GREDGS0U	E	ELECTRIC GRILL TOP 400 MM
373240	A7GREHGS0U	F	ELECTRIC GRILL TOP 800 MM

Index	Pag
General components/componenti generali	2
Spare part list / liste ricambi	3,4

Ed. page revision 2015 - 11

Bold = Last Change/ Grassetto= ultima modifica



Actual wire harness may be different from illustration.

Pos	Code	Factory Code	Descrizione	Description	Ref. /Notes
1	0C8700	548877W00	MANOPOLA (con adattatore)	KNOB (with adapter)	A,B
1	0C7232	548878201	MANOPOLA	KNOB	C,D
1	0A5621	548865500	MANOPOLA	KNOB	E,F
2	053816	543821000	GUARNIZIONE X MANOPOLA	GASKET, KNOB	
3	0C7345	548877V00	ADATTATORE MANOPOLA	KNOB ADAPTER	
4	0C9969	54887B500	GHIERA	KNOB RING	A,B
4	0C9970	54887B600	GHIERA	KNOB RING	C,D
4	0C7430	548879Z00	GHIERA	KNOB RING	E,F
5	005010	876800002	LAMPADA VERDE (SPIA)	GREEN LAMP	
6	0C9976	85089MF00	CRUSCOTTO	CONTROL PANEL	A
6	0C9975	85089MD00	CRUSCOTTO	CONTROL PANEL	B
6	0C9977	85589GG00	CRUSCOTTO	CONTROL PANEL	C
6	0C9978	85589GH00	CRUSCOTTO	CONTROL PANEL	D
6	0C9979	85589GL00	CRUSCOTTO	CONTROL PANEL	E
6	0C9980	85589GM00	CRUSCOTTO	CONTROL PANEL	F
7	006879	648807400	CONTATTORE (RELE)	RELAY	
8	0C9939	641805900	SELETTORE	SELECTOR	
8*	0C9773	*	CAVETTO, SELETTORE / SCHEDA EL.	CABLE, SELECTOR / EL. BOARD	Just indicated cable
9	0C9972	673800601	SCHEDA ELETTRONICA	ELECTRONIC BOARD	
10	*	639811900	MORSETTIERA	MAIN TERMINAL BLOCK	
10*	0C4996	652806100	FUSIBILE	FUSE	
11	0C9966	51589AY00	SCARICO INOX	DRAIN PIPE (INOX)	
12	*	50589GX00	ASTA SOLLEVAMENTO RES.	HEAT. ELEMENT SUPPORT BRACKET	
13	0C9971	617839R00	RESISTENZA	HEATING ELEMENT	
13*	*	50289DY00	DISTANZIALE RESISTENZA	HE.EL. SPACER	
14	*	525874201	TEGOLO INTERNO	INNER COVER	
15	0C2570	510823202	GRIGLIA GOLOSA GHISA	CAST IRON GRID	2pcs per pnc B,D,F / A,C,E
15	0C2571	510823302	GRIGLIA GOLOSA GHISA	CAST IRON GRID	2pcs per pnc B,D,F
16	0C9983	87089PP00	PARETE PARASPRUZZI	SPLASHBACK PANEL	A,C,E
16	0C9984	87089Q100	PARETE PARASPRUZZI	SPLASHBACK PANEL	B,D,F
17	0C7333	50389LP00	GRIGLIA CAMINO	CHIMNEY GRID	
18	026806	315252601	PIEDINO	FOOT	
19	0C8544	85089F701	FIANCHI FASCIA	SIDE PANELLING	A
19	0C7536	85089F801	FIANCHI FASCIA	SIDE PANELLING	B
19	0C7268	85089FA01	FIANCHI FASCIA	SIDE PANELLING	C,E
19	0C8464	85089FB01	FIANCHI FASCIA	SIDE PANELLING	D,F
20	0C9655	*	KIT PIASTRA GIUNZIONE	KIT JOINTING REAR PLATE	Screws & bracket
21	0C6171	541813800	RONDELLA IN SILICONE	SILICONE ORING	
22	069567	218912211	MOLLETTA PER GHIERA	RING, RING KNOB	
23	*	546814001	PIN SUPPORTO SCHEDA	ELECTRONIC BOARD SUPPORTS	
24	0C9973	83089J700	CASSETTO RACCOLTA	GREASE TRAY	

Pos	Code	Factory Code	Descrizione	Description	Ref. /Notes	
25	0C2496	543821900	GUARNIZIONE ADESIVA	SPONGE GASKET		
26	0C9974	83089KH00	SPATOLA INOX	GRILL SCRAPER		
27	0C9982	87089CM01	RIPIANO	TOP	A	
27	0C9981	87089CL01	RIPIANO	TOP	B	
27	0C7836	87089KM01	RIPIANO	TOP	C,E	
27	0C7839	87089KQ01	RIPIANO	TOP	D,F	
28	0C0156	527850500	PIASTRA FISSAGGIO FIANCHI	SIDE PANELS JOINTING PLATE		
40	*	634803X02	CABLAGGIO ELETTRICO	WIRING HARNESS	A,C,E	
40	*	634803W01	CABLAGGIO ELETTRICO	WIRING HARNESS	B,D,F	
From Ser. Nr.536100001 Up to Ser. Nr.			Ed. document publication . 2015 – 06		Page 4	Doc. N° 59785UV00