

GRIGLIA ELETTRICA ALTA PRODUTTIVITA'
HIGH PERFORMANCE ELECTRIC GRILL

PNC	MODEL	DESCRIPTION	REF
371266 – P80108	E7GREDGS0P	GRILL HP 700 x 400 MM	g
371267 – P80107	E7GREHGS0P	GRILL HP 700 x 800 MM	h
371268 – P80110	E7GRELGS0P	GRILL HP 700 x 1200 MM	i
371306	E7JJCJAOMIG	GRILL HP 700 x 400 MM 440V	d
371307	E7JJCJAOMEG	GRILL HP 700 x 800 MM 440V	e
371308	E7JJCJAOMCG	GRILL HP 700 x 1200 MM 440V	f
372266	Z7GREDGS0P	GRILL HP 700 x 400MM	j
372267	Z7GREHGS0P	GRILL HP 700 x 800MM	k
372268	Z7GRELGS0P	GRILL HP 700 x 1200MM	l
373266	A7GREDGS0P	GRILL HP 700 x 400MM	m
373267	A7GREHGS0P	GRILL HP 700 x 800MM	n
373268	A7GRELGS0P	GRILL HP 700 x 1200MM	o
391346 - P80102	E9GREDGS0P	GRILL HP 900 x 400 MM	p
391347 – P80106	E9GREHGS0P	GRILL HP 900 x 800 MM	q
391348 – P80109	E9GRELGS0P	GRILL HP 900 x 1200 MM	r
391366	E9JJCJAOMIG	GRILL HP 900 x 400 MM 440V	a
391367	E9JJCJAOMEG	GRILL HP 900 x 800 MM 440V	b
391368	E7JJCJAOMCG	GRILL HP 900 x 1200 MM 440V	c
392346	Z9GREDGS0P	GRILL HP 900 x 400MM	s
392347	Z9GREHGS0P	GRILL HP 900 x 800MM	t
392348	Z9GRELGS0P	GRILL HP 900 x 1200MM	u
393346	A9GREDGSOP	GRILL HP 900 x 400 MM	v
393347	A9GREHGS0P	GRILL HP 900 x 800 MM	w
393348	A9GRELGS0P	GRILL HP 900 x 1200 MM	x

Index

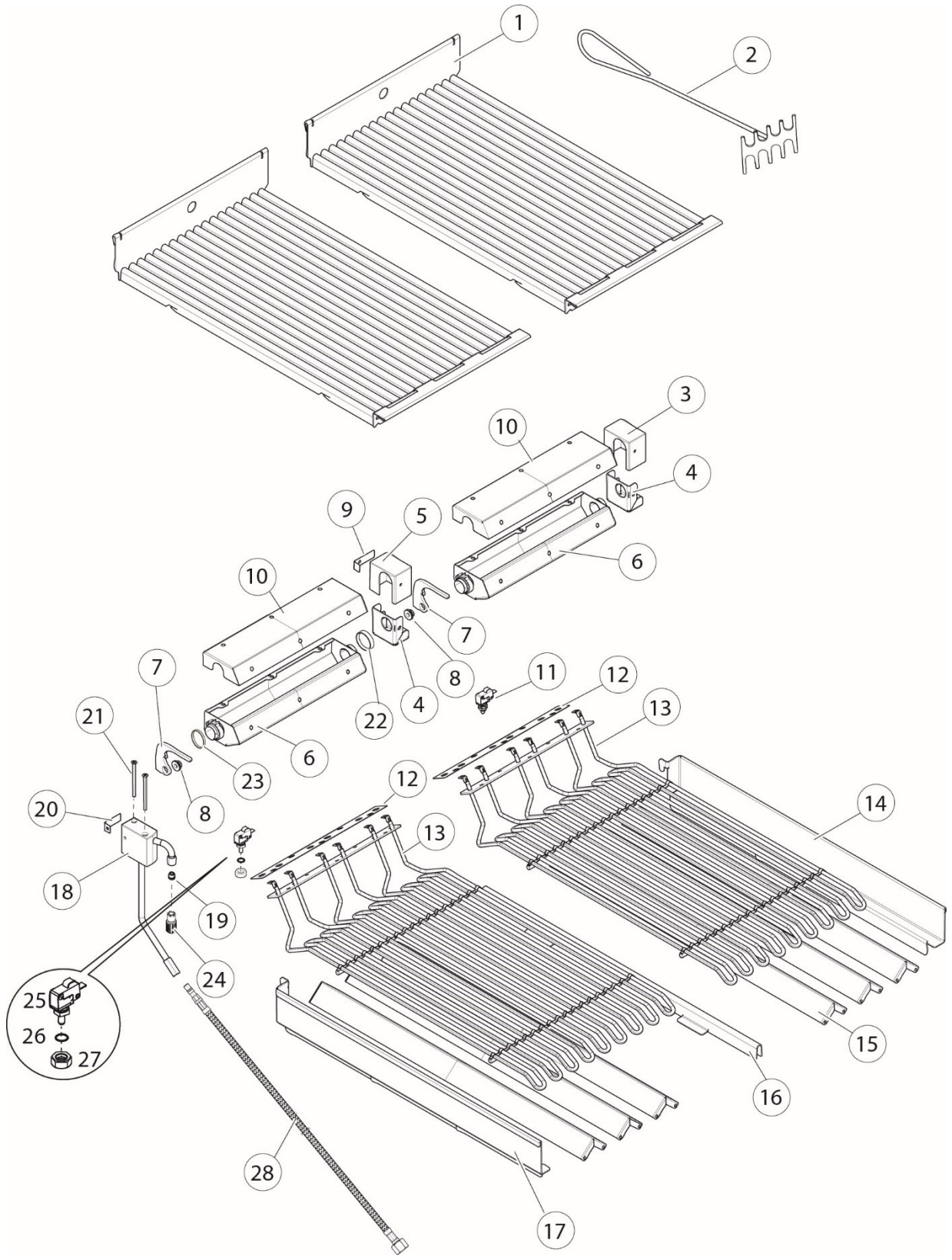
General components / componenti
Spare part list / liste ricambi

Page 2,3
Page 4,5,6

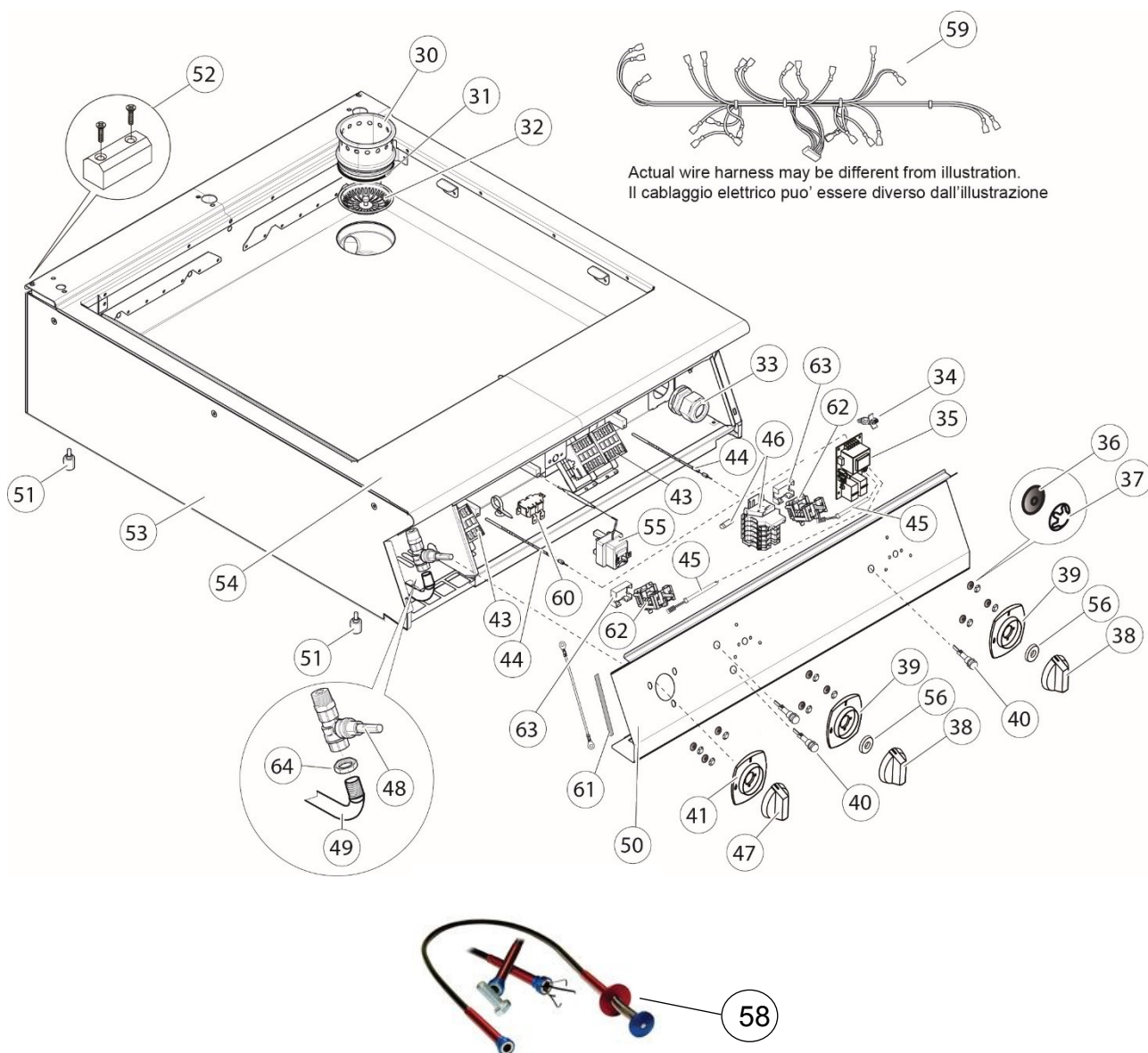
**Bold = Last Change/ Grassetto= ultima
modifica**

Ed. page revision 2017 - 09

GRIGLIA ELETTRICA ALTA PRODUTTIVITA'
HIGH PERFORMANCE ELECTRIC GRILL



GRIGLIA ELETTRICA ALTA PRODUTTIVITA'
HIGH PERFORMANCE ELECTRIC GRILL



GRIGLIA ELETTRICA ALTA PRODUTTIVITA'
HIGH PERFORMANCE ELECTRIC GRILL

Pos	Spare part Code	Factory Code	Descrizione	Description	Ref./Note
1	0CA891	085089MY00	ASSIEME GRIGLIA	GRILL GRID ASSEMBLY	700 MM
	0CA820	085089MX00	ASSIEME GRIGLIA	GRILL GRID ASSEMBLY	900 MM
2	0CA818	083089LQ00	RASCHIETTO TEGOLI	GRID SRAPER	
3	0CB204	050289DN01	COPERCHIO, SUPPORTO DX	COVER, RIGHT SUPP.	
4	*	050289FK00	SOPPORTO DX	SUPPORT, RIGHT	
5	*	051589C500	COPERCHIO, SUPPORTO CENTRALE	COVER, CENTER SUPP	
6	*	083089KT02	SCATOLA RESISTENZA	H.E BOX	
7	*	050289DP01	GANCIO BLOCCO RES.	H.E. CATCH	
8	0C9177	0518825B01	BOCCOLA GANCIO	BUSH, CATCH	
9	*	050689F700	MOLLA STAFFA BLOCCAGGIO	SPRING BRAKET STOPPER	
10	*	050089A302	COPERCHIO SCATOLA RES.	COVER, BOX	
11					
12	0CA892	0543844T00	GUARNIZIONE RESISTENZA	H.E. GASKET	
13	0CA893	0617839Z02	RESISTENZA ELETTRICA 230V	HEATING ELEMENT 230V	700 mm 3450W
	0CB182	061783A400	RESISTENZA ELETTRICA 254V	HEATING ELEMENT 254V	700mm 3450W d e f
	0CA758	0617839Y02	RESISTENZA ELETTRICA 230V	HEATING ELEMENT 230V	900 mm 5400W
	0CB181	061783A200	RESISTENZA ELETTRICA 254V	HEATING ELEMENT 254V	900mm 5400W a b c
14	0CA894	050089A000	PARASPRUZZI DX	RIGHT SPLASH GUARD	700MM
	0CA895	0500899Y00	PARASPRUZZI DX	RIGHT SPLASH GUARD	900MM
15	0CA923	083089M501	ASS. TEGOLI RADIANTI	DEFLECTOR ASSEMBLY	700MM
	0CA924	083089M401	ASS. TEGOLI RADIANTI	DEFLECTOR ASSEMBLY	900MM
16	0CA896	050589KF00	COPPO SUPPORTO CENT.	CENTER SUPPORT	700MM
	0CA817	050589FC00	COPPO SUPPORTO CENT.	CENTER SUPPORT	900MM
17	0CA897	0500899Z00	PARASPRUZZI SX	LEFT SPLASH GUARD	700MM
	0CA898	0500899X00	PARASPRUZZI SX	LEFT SPLASH GUARD	900MM
18	0CA900	080589DN00	SUPPORTO E INGRESSO ACQUA	INLET WATER ASSEMBLY	Until wk 39/2016 See TB PDX2016-04
	0CA901	080589DN01	SUPPORTO E INGRESSO ACQUA	INLET WATER ASSEMBLY	From wk 40/2016
19	0CA902	0544826B00	GETTO EROGATORE 10 Ø	WATER NOZZEL 10 Ø	Until wk 39/2016 See TB PDX2016-04
	0CA873	0544826K00	GETTO EROGATORE 16,5 Ø	WATER NOZZEL 16,5 Ø	From wk 40/2016
20	0C9171	0500898K00	MOLLA STAFFA	SPRING BRAKET	
21	0CA899	0217543705	VITI AISI M5 x 70MM	SCREW, STAINLESS S.	
22	0CA664	0500898H00	RONDELLA SPESSA, DX	WIDE WASHER, RIGHT	
23	0CA663	0500898J00	RONDELLA SOTTILE, SX	SLIMM WASHER, LEFT	
24	*	*	CHIAVE GETTO EROGATORE	WATER NOZZEL SPANNER	accessory Until wk 39/2016 See TB PDX2016-04
25	002785	0640803300	MICRO SICUREZZA	MICRO SWITCH	
26	0CA903	0543845200	GUARNIZIONE OR MICRO	O-RING FOR MICRO	
27	0CA904	051489FX00	DADO GHIERA OR	O-RING NUT SPOPPER	
28	0CA905	080589DM01	TUBO FLESSIBILE INOX	FLEXI WATER HOSE	110CM
30	0CA821	051589C400	TROPPOPIENO	OVERFLOW	
31	0CA906	0543845100	OR TROPPOPIENO	O-RING GASKET	
32	0CA818	050689G100	GRIGLIETTA TROPPOPIENO	OVERFLOW FILTER	
33	0C3528	0544802400	PRESSACAVO 37mm Ø	CALBE STOPPER 37mm Ø	
34	0C3750	0546814001	FERMA SCHEDE EL.	EL.BOARD SUPPORT	
35	0CA816	0673800D00	SCHEDE ELETTRONICA	ELECTRONIC BOARD	
36	0C6171	0541813800	RONDELLA SILICONE	SILICONE WASHER	

GRIGLIA ELETTRICA ALTA PRODUTTIVITA'
HIGH PERFORMANCE ELECTRIC GRILL

Pos	Spare part Code	Factory Code	Descrizione	Description	Ref./Note
37	069567	0218912211	MOLLETTA DI FISSAGGIO	FIXING WASHER RING	
38	0C8700	0548877W00	MANOPOLA CON ADATTATORE	KNOB WITH ADAPTER	ENERGY, ELUX
38	0C7232	0548878201	MANOPOLA CON ADATTATORE	KNOB WITH ADAPTER	ENERGY,ZAN
38	0A5621	0548865500	MANOPOLA CON ADATTATORE	KNOB WITH ADAPTER	ENERGY,ALPEN
39	0C7177	0548877D00	GHIERA ENERGIA	KNOB RING, ENERGY	ELUX
39	0C7640	0548879L00	GHIERA ENERGIA	KNOB RING, ENERGY	ZAN, ALPEN
40	005010	0876800002	LAMPADA VERDE COMPLETA	GREEN BULB COMPLETE	
	005011	0876800102	LAMPADA ARANCIONE COMP.	ORANGE BULB COMPLETE	REFILL LAMP
41	0C6802	0548876G01	GHIERA ACQUA	KNOB RING, WATER	ELUX
41	0C7385	0548879H00	GHIERA ACQUA	KNOB RING, WATER	ZAN, ALPEN
43	006879	0648807400	RELE' - CONTATTORE 18 AMP	RELE - CONTACTOR 18 AMP	400 800 1200MM
	007104	0648807800	RELE' - CONTATTORE 40 AMP	RELE - CONTACTOR 40 AMP	1200 MM
44	0C0325	0830899002	SONDA TEMPERATURA K	TEMPERATURE PROBE K	
45	0C9773	*	CAVETTO, SELET. / SCHEDA EL	CABLE, SELECT. / EL. BOARD	INDICATED CABLE ONLY
46	0C4759	0639811900	MORSETTIERA 10 MM ² CON BARRA DIN	TERMINAL CLAMP 10 MM ² & DIN BAR	400 & 800 MM
	058608	0639805301	MORSETTIERA 16 MM ² CON BARRA DIN	TERMINAL CLAMP 16 MM ² & DIN BAR	1200 MM
	007054	0652802900	FUSIBILE 5X20 MM 630Mamp	FUSE 5X20 MM 630Mamp	
47	0C8646	054887AW00	MANOPOLA CON ADATTATORE	KNOB WITH ADAPTER	WATER - ELUX
47	0C7180	0548878001	MANOPOLA	KNOB	WATER - ZAN
47	0C1380	0548865700	MANOPOLA	KNOB	WATER - ALPEN
48	0CA830	0835878601	RUBINETTO SFERA ACQUA	WATER TAP	
	*	0147098070	LOCTITE SIGILLANTE RUBINETTO	LOCTITE SEAL PASTE, TAP	
49	0CA907	051589C300	RIBALTA ACQUA, INOX	AISI PIPE INLET	700MM
	0CA908	051589C200	RIBALTA ACQUA, INOX	AISI PIPE INLET	900MM
50	*	085089NF00	CRUSCOTTO	CONTROL PANEL	400MM ELUX
	*	085089MK00	CRUSCOTTO	CONTROL PANEL	800MM ELUX
	*	085089NS00	CRUSCOTTO	CONTROL PANEL	1200MM ELUX
	*	085089NW00	CRUSCOTTO	CONTROL PANEL	400MM ZAN
	*	085089NX00	CRUSCOTTO	CONTROL PANEL	800MM ZAN
	*	085089NY00	CRUSCOTTO	CONTROL PANEL	1200MM ZAN
	*	085089NZ00	CRUSCOTTO	CONTROL PANEL	400MM ALPEN
	*	085089P000	CRUSCOTTO	CONTROL PANEL	800MM ALPEN
	*	085089P100	CRUSCOTTO	CONTROL PANEL	1200MM ALPEN
51	026806	0315252601	PIEDINO	FOOT	
52	0C9655	*	ASSIEME GIUNTO OTTONE E VITI	JOINING BRAKET & SCREWS	KIT
53	0C8544	085089F701	FIANCO FASCIA	SIDE PANEL	700 X 400MM ELUX
	0C7536	085089F801	FIANCO FASCIA	SIDE PANEL	700 X 800MM ELUX
	0CA725	085089F901	FIANCO FASCIA	SIDE PANEL	700 X 1200MM ELUX
	0CA013	085089DR00	FIANCO FASCIA	SIDE PANEL	900 X 400MM ELUX
	0C9625	085089DS02	FIANCO FASCIA	SIDE PANEL	900 X 800MM ELUX
	0CA122	085089DT01	FIANCO FASCIA	SIDE PANEL	900 X 1200MM ELUX
	0C7268	085089FA01	FIANCO FASCIA	SIDE PANEL	700 X 400MM ZAN ALPEN
	0C8464	085089FB01	FIANCO FASCIA	SIDE PANEL	700 X 800MM ZAN ALPEN

From Ser. Nr. REFER TO NOTES
Up to Ser. Nr.

Ed. document . N° 04 / 2017 - 09

Page 5

Doc. N°59785UW00

**GRIGLIA ELETTRICA ALTA PRODUTTIVITA'
HIGH PERFORMANCE ELECTRIC GRILL**

<i>Pos</i>	<i>Spare part Code</i>	<i>Factory Code</i>	<i>Descrizione</i>	<i>Description</i>	<i>Ref./Note</i>
54	0C7392	085089FC01	FIANCO FASCIA	SIDE PANEL	700 X 1200 MM ZAN ALPEN
	*	085089DU02	FIANCO FASCIA	SIDE PANEL	900 X 400 MM ZAN ALPEN
	0C9937	085089DV02	FIANCO FASCIA	SIDE PANEL	900 X 800MM ZAN ALPEN
	0CA575	085089DW01	FIANCO FASCIA	SIDE PANEL	900 X 1200MM ZAN ALPEN
	*	085089MV00	RIPIANO CON VASCA	TOP WITH WELL	700 X 400MM ELUX
	*	085089NH00	RIPIANO CON VASCA	TOP WITH WELL	700 X 800MM ELUX
	*	085089NM00	RIPIANO CON VASCA	TOP WITH WELL	700 X 1200 ELUX
	*	085089LJ00	RIPIANO CON VASCA	TOP WITH WELL	900 X 400 ELUX
	*	085089LK00	RIPIANO CON VASCA	TOP WITH WELL	900 X 800MM ELUX
	*	085089LM00	RIPIANO CON VASCA	TOP WITH WELL	900 X 1200MM ELUX
	*	085089MV00	RIPIANO CON VASCA	TOP WITH WELL	700 X 400MM ZAN ALPEN
	*	085089NJ00	RIPIANO CON VASCA	TOP WITH WELL	700 X 800MM ZAN ALPEN
	*	085089NN00	RIPIANO CON VASCA	TOP WITH WELL	700 X 1200 MM ZAN ALPEN
	*	085089NR00	RIPIANO CON VASCA	TOP WITH WELL	900 X 400 MM ZAN ALPEN
	*	085089NQ00	RIPIANO CON VASCA	TOP WITH WELL	900 X 800MM ZAN ALPEN
*	085089NP00	RIPIANO CON VASCA	TOP WITH WELL	900 X 1200MM ZAN ALPEN	
55	0C4463	0646816600	TERMOSTATO SICUREZZA	SAFETY THERMOSTAT	
56	053816	0543821000	GUARNIZIONE MANOPOLA	KNOB GASKET	
57	*				
58	0ST068	FM9300	ASTA PRENDITUTTO	PRONG FLEXI CLAW	
59	*	0634804102	ASSIEME CABLAGGIO	WIRING HARNESS	800MM
	*	0634804001	ASSIEME CABLAGGIO	WIRING HARNESS	400MM
	*	0634804201	ASSIEME CABLAGGIO	WIRING HARNESS	1200MM
60	0CA925	0646817D00	TERMOSTATO RIEMPIMENTO	REFILL THERMOSTAT	80/90C°
61	0C2496	0543821900	SPUGNA ADESIVA GRIGIA	GRAY SPONGE GASKET	
62	0CA759	0641805D00	SELETTORE/COMMUTATORE	SELECTOR	
63	0CA909	0541813F00	PROTEZIONE POTENZIOMETRO	POTENZIOMETER PROTECTION	
64	0C8993	0516875100	CONTRODADO	LOCK NUT	