

**PENTOLE GAS DIRETTE 60Lt E700XP**  
**GAS BOILING PAN DIRECT HEATING 60Lt E700XP**

<b>PNC</b>	<b>Model</b>	<b>Ref</b>	<b>Brand</b>	<b>Version</b>	<b>Notes</b>
371271	E7BSGHDNF0	a	ELX	GAS	60 LT GAS DIRECT BOILING PAN
371276	E7BSGHDN40	a	ELX	GAS	60 LT GAS DIRECT BOILING PAN 60Hz
<b>371432</b>	<b>E7NNBTBAMEI</b>	<b>a</b>	<b>ELX</b>	<b>GAS</b>	<b>60 LT GAS DIRECT BOILING PAN - 60HZ - QMARK</b>
372271	Z7BSGHDNF0	b	ZAN	GAS	60 LT GAS DIRECT BOILING PAN
373271	A7BSGHDNF0	c	OEM	GAS	60 LT GAS DIRECT BOILING PAN

**Index**

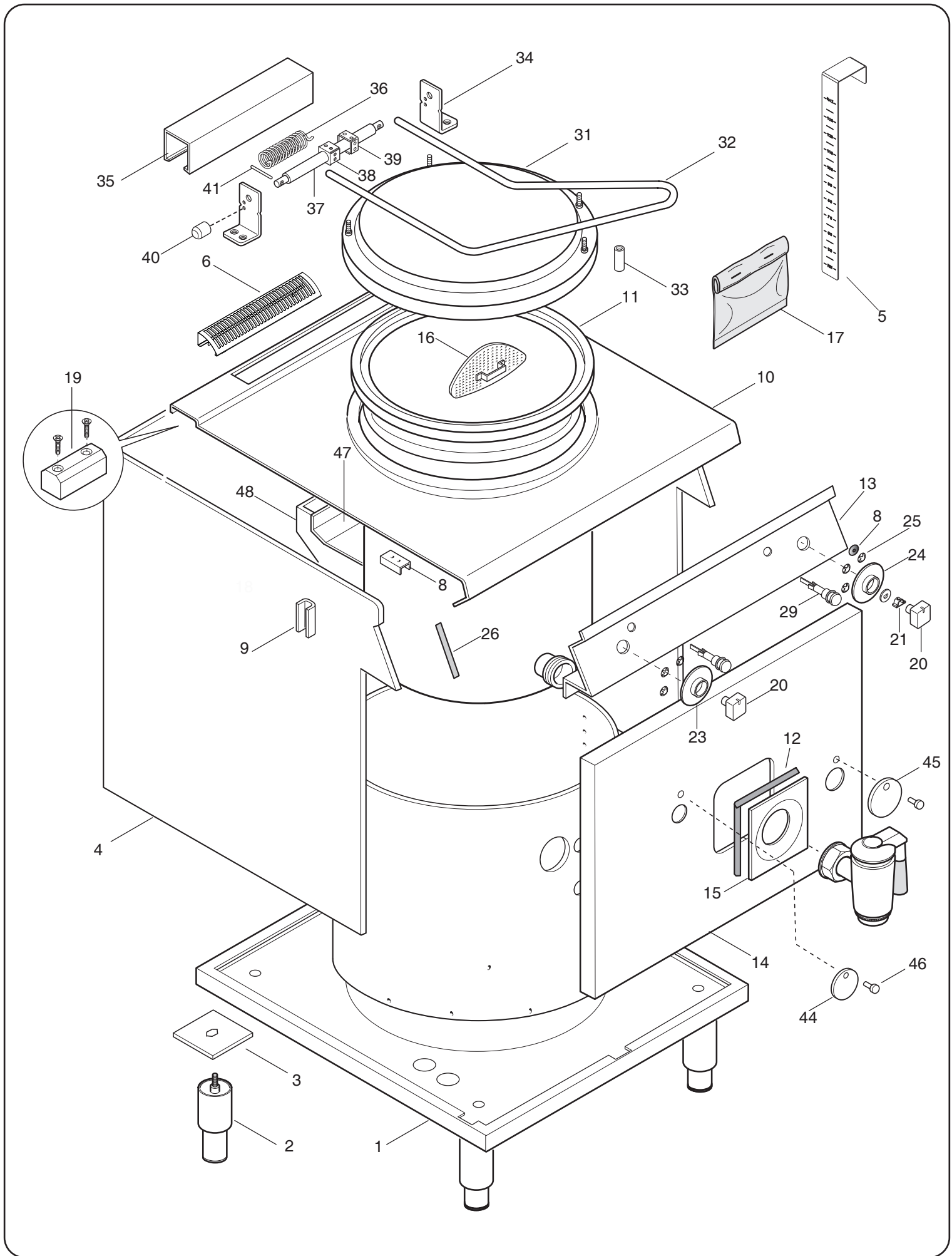
General omponents / Componenti generali  
Gas components and nozzles / Componenti gas e ugelli  
Nozzles Tables / Tabelle Ugelli  
Electric components / Componenti elettrici  
Spare parts list / Lista ricambi

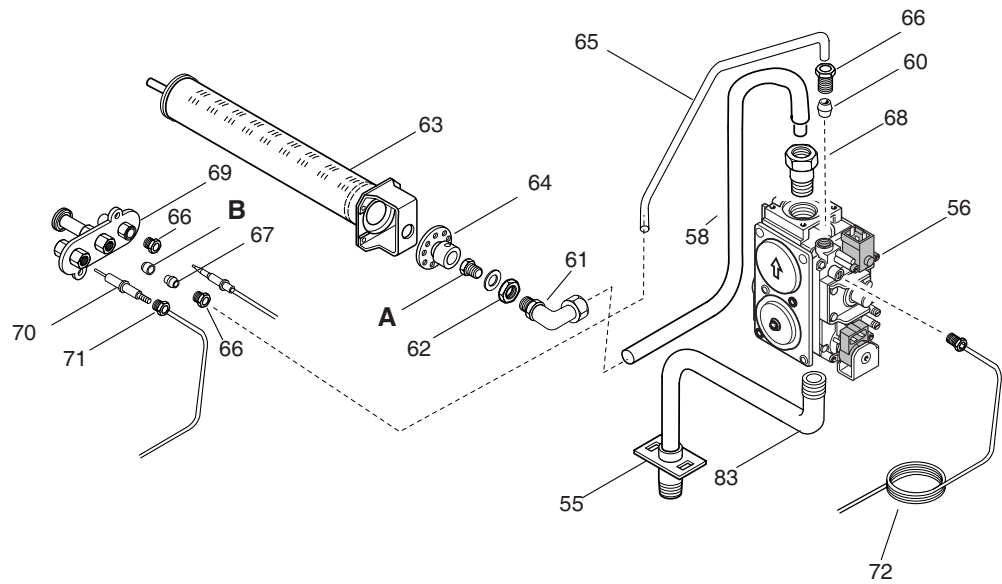
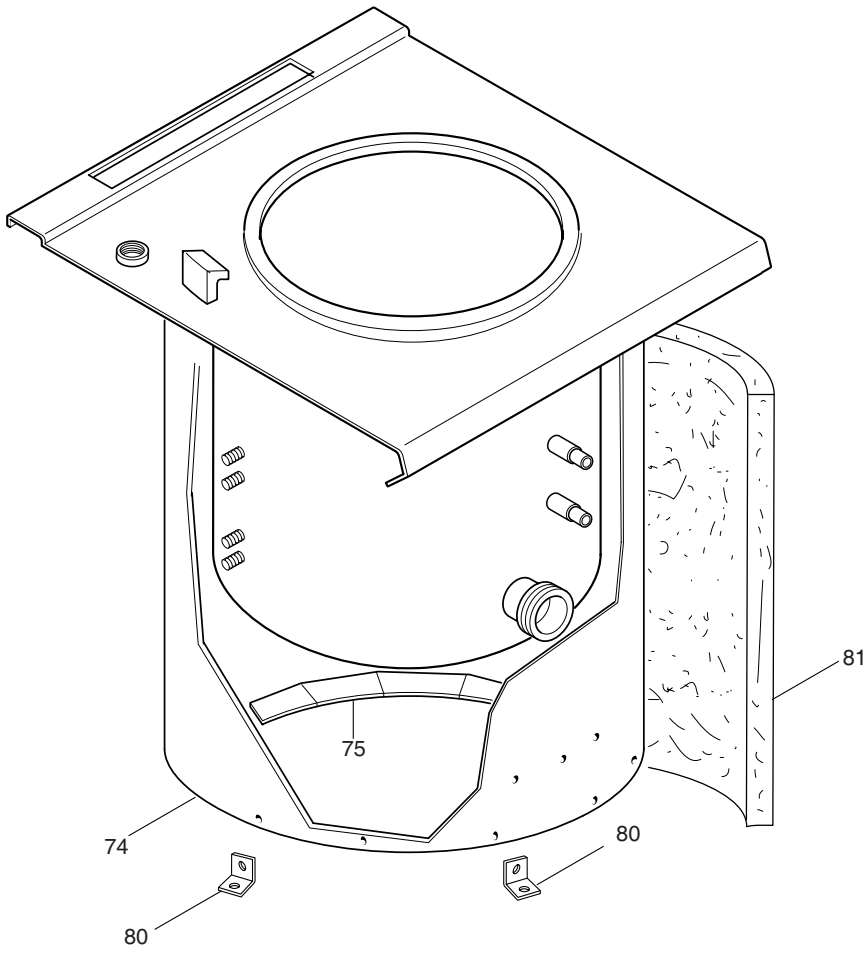
**Page**

2  
3  
4  
5  
6-7

**Bold=last change / Grassetto =ultima modifica**

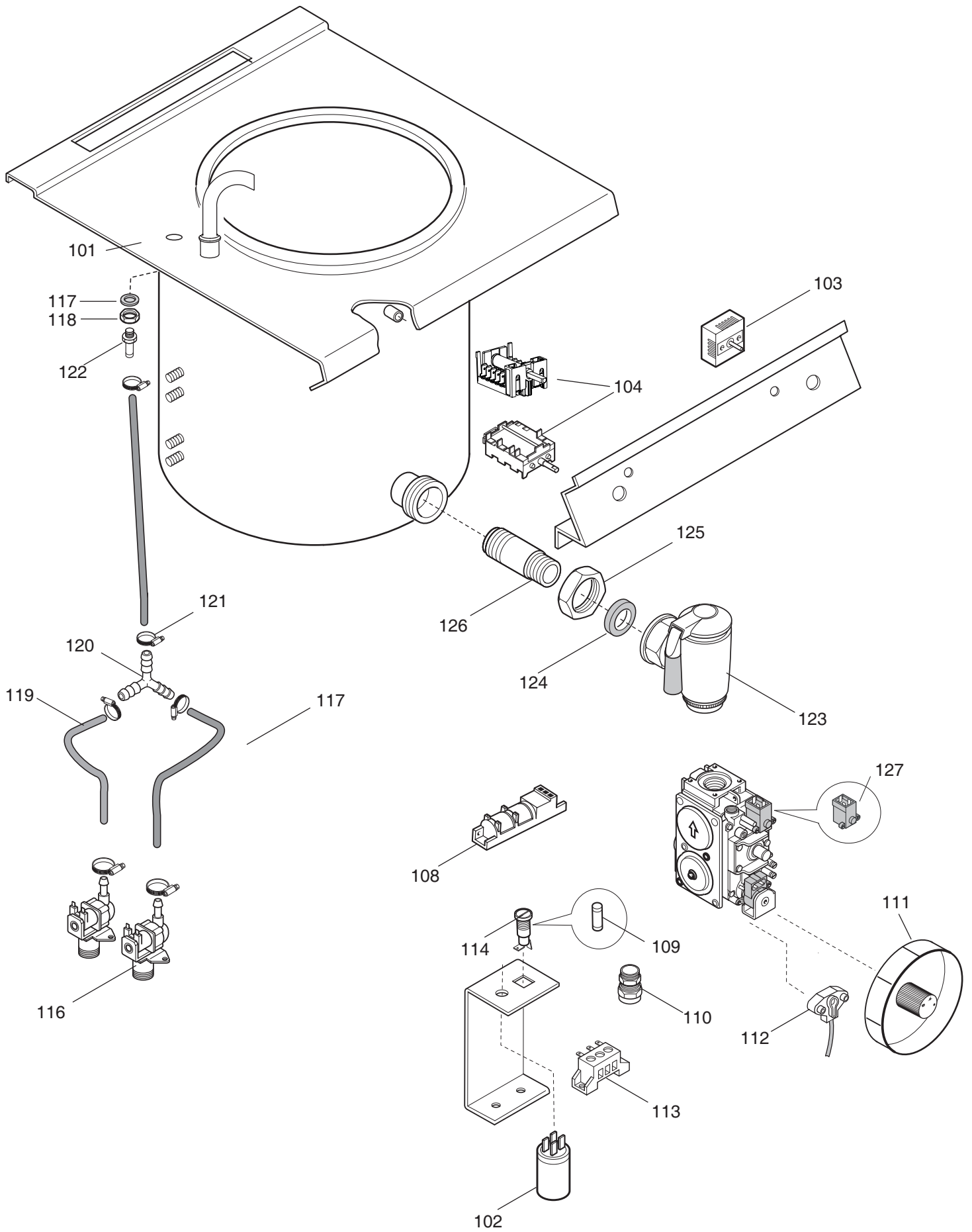
Rev. 2





<b>A - Ugello bruciatore / Burner nozzle</b>			
<b>Spare part Code</b>	<b>Ref.</b>	<b>Notes</b>	
0C0509	ø1.85	3+3B/P	G30 30mbar
003723	ø1.75	3B/P	G30 37mbar
054127	ø1.65	3B/P	G30 50mbar
0C0551	ø2.85	2H/2E+	G20 20mbar
0C0747	ø2.70	2H	G20 25mbar
004856	ø2.95	2L	G25 25mbar
0C0551	ø2.85	2K	G25.3 25mbar
054632	ø3.10	2ELL	G25 20mbar
004856	ø2.95	2S	G25.1 25mbar
0C3079	ø6.25	No CE	G110 8mbar

<b>B - Ugello pilota / Pilot nozzle</b>			
<b>Spare part Code</b>	<b>Ref.</b>	<b>Notes</b>	
053667	n°30	3+3B/P	G30 30mbar
053667	n°30	3B/P	G30 37mbar
053667	n°30	3B/P	G30 50mbar
053670	n°41	2H/2E+	G20 20mbar
053670	n°41	2H	G20 25mbar
053670	n°41	2L	G25 25mbar
053670	n°41	2K	G25.3 25mbar
053670	n°41	2ELL	G25 20mbar
053670	n°41	2S	G25.1 25mbar
053669	n°75	No CE	G110 8mbar



PENTOLE GAS INDIRETTE 60L E700XP  
GAS BOILING PAN INDIRECT HEATING 60L E700XP

Pos	Factory Code	Spare Code	Descrizione	Description	Ref./Notes
1	050489KH04	*	FONDO PENTOLA GAS 60L	BOTTOM PANEL BOIL.PAN 60L	
2	0835856900	0C0204	PIEDE	FOOT	
3	050589CD00	*	PIASTRA DI RINFORZO PER PIEDI	PLATE FOR FOOT	
4	085089FF01	0C8598	RIVESTIMENTO LATERALE	EXTERNAL PANEL	ELX
4	085089FJ01	*	RIVESTIMENTO LATERALE	EXTERNAL PANEL	ZAN, OEM
5	50589N901	*	ASTA TACCHE LIVELLI E CAPACITA'	MEASURING ROD	
6	050389LM00	0C7705	GRIGLIA CAMINO	GRID FOR CHIMNEY	
8	0541813800	0C6171	GUARNIZIONE SILICONE	SILICONE GASKET	
9	0527850500	0C0156	PIASTRA FISSAGGIO FIANCHI	SIDE PANEL JOINTING PLATE	
10	087089CR04	0C7707	RIPIANO PENTOLA DIRETTA 60L.	SHELF, IND.BOLING PAN 60L	ELX
10	087089KV04	0C7710	RIPIANO PENTOLA DIRETTA 60L.	SHELF, IND.BOLING PAN 60L	ZAN, OEM
11	0873858901	0C2643	ASSIEME PENTOLA	TANK	
12	0140088006	0L0113	GUARNIZIONE PER CRUSCOTTO	GASKET, CONTROL PANEL	
13	085089DM02	0C7537	CRUSCOTTO	CONTROL PANEL	ELX
13	087089GV01	0C7558	CRUSCOTTO	CONTROL PANEL	ZAN
13	050389TS01	0C8058	CRUSCOTTO	CONTROL PANEL	OEM
14	050389Y700	0C7811	PANNELLO FRONTALE 60 L	FRONT PANEL BOIL.PAN 60L	Up to 2022/29
14	05038AD201	0CBAT3	PANNELLO FRONTALE 60 L	FRONT PANEL BOIL.PAN 60L	From 2022/30
15	0530800801	0C1575	PANNELLINO BOCCHETTONE	PANEL FOR DRAIN TAP	
16	0310122725	027114	GRIGLIA DI SCARICO	DRAIN GRID	
17	0858800100	0C1876	KIT ANTI-CORROSIONE	ANTICORROSIVE KIT	
19	0516860702	0C0137	PIASTRINA GIUNZIONE	JOINTING REAR PLATE	
20	0511850G01	0C6670	MANOPOLA	KNOB	ELX
20	0548877V00	0C7345	ADATTATORE MANOPOLA	KNOB, ADAPTER	ELX
20	0548878001	0C7180	MANOPOLA	KNOB	ZAN
20	0548865500	0A5621	MANOPOLA	KNOB	OEM
21	0214590701	025245	MOLLETTA PER MANOPOLA	SPRING, KNOB	
22			GUARNIZIONE MANOPOLA	GASKET, KNOB	
23	0548877B00	0C7526	GHIERA CARICO ACQUA	KNOB RING, WATER	ELX
23	0548879M00	0C7532	GHIERA CARICO ACQUA	KNOB RING, WATER	ZAN, OEM
24	0548877T00	0C7344	GHIERA REGOLATORE ENERGIA	KNOB RING, ENERGY REGULATOR	ELX
24	054887A100	0C7533	GHIERA REGOLATORE ENERGIA	KNOB RING, ENERGY REGULATOR	ZAN, OEM
25	0218912211	069567	MOLLETTA PER GHIERA MANOPOLA	SPRING, KNOB RING	
26	0543821900	0C2496	GUARNIZIONE CRUSCOTTO	CONTROL PANEL GASKET	
29	0876800002	005010	LAMPADA SPIA VERDE	GREEN LAMP	
31	0806806204	004843	COPERCHIO PENTOLA	LID PAN	
32	0517847707	004844	MANIGLIA PENTOLA	HANDLE, LID PAN	
33	0517847904	004845	DISTANZIALE MANIGLIA	SPACER FOR HANDLE	
34	0806844802	*	SUPPORTO COPERCHIO	LID SUPPORT	
35	0523815207	0C8724	COPERTURA CERNIERA	COVERING HINGE	
36	0516829902	004850	MOLLA COPERCHIO	SPRING LID	
37	0516829805	004846	PERNO CERNIERA	PIN HINGE	
38	0527800403	0A5570	BLOCCO ESTERNO CERNIERA	HINGE EXTERNAL BLOCK	
39	0527800501	0A5571	BLOCCO INTERNO CERNIERA	HINGE INTERNAL BLOCK	Up to 2021/23
39	0527800502	0CC035	BLOCCO INTERNO CERNIERA	HINGE INTERNAL BLOCK	From 2021/24
40	0A05664001	0A2612	AGGANCI	HOOK	
41	0A05918800	0C5084	SPINA ELASTICA	ELASTIC PIN	
44	0508837201	002534	SPORTELLINO, FORO D'ISPEZIONE	DOOR, INSPECTION HOLE	
45	0527843000	0C1563	SPORTELLINO PER VALVOLA	DOOR, GAS VALVE	

PENTOLE GAS INDIRETTE 60lt E700XP  
GAS BOILING PAN INDIRECT HEATING 60lt E700XP

Pos	Factory Code	Spare Code	Descrizione	Description	Ref./Notes
46	0214473001	026187	PERNO PER SPORTELLINO	PIN, FIXING DOOR	
47	0502899603	*	SUPERIORE CAMINO	FRONT WALL CHIMNEY	
48	0502899703	*	INFERIORE CAMINO	BACK WALL CHIMNEY	
55	0805899H04	0C6379	TUBO ENTRATA GAS	GAS PIPE	
56	0835819901	002903	VALVOLA GAS SIT	GAS VALVE SIT	
58	0517893801	0C8062	CONDUTTURA VALVOLA-BRUC.	GAS PIPE VALVE-BURNER	
60	0215073101	060325	BICONO	DOUBLE CONE	
61	0511805401	059250	PORTAUGELLO	NOZZLE HOLDER	
62	0214105101	020997	CONTRODADO	LOCK NUT, NOZZLE HOLDER	
63	0830816204	004847	BRUCIATORE	BURNER	
64	0830828001	054039	AREATORE	AREATOR	
65	0517893901	0C8061	CONDUTTURA PILOTA	PILOT PIPE	
66	0214164400	052125	RACCORDO	CONNECTION	
67	0215199700	052127	BICONO SPECIALE	DOUBLE CONE	
68			RACCORDO DRITTO	CONNECTION, OUT VALVE	
69	0A05488001	0A2472	BRUCIATORE PILOTA	PILOT BURNER	
70	0330272401	052610	ELETTRODO ACCENSIONE	ELECTRODE IGNITION	
71	0214164101	057960	RACCORDO FISS. CANDELA	NIPPLE, ELECTRODE	
72	0830852201	025031	TERMOCOPPIA	THERMOCOUPLE	
74	0533822102	0CA386	TAMBURO FUMI	CYLINDER, COMBUSTION	
75	0533821400	0CA387	ANELLO FUMI	RING	
80	0508818601	0C0814	SQUADRETTA TAMBURO-FONDO	PLATE FOR FIXING CYLINDER	
81	0560850301	0CA388	PANNELLO ISOLANTE	INSULATION	
<b>101</b>	<b>0831840902</b>	<b>0C4146</b>	<b>EROGATORE ACQUA</b>	<b>WATER DISTRIBUTOR</b>	
102	0694601000	046217	FILTRO ANTIDISTURBO	FILTER	
103	0699802200	0C1605	REGOLATORE DI ENERGIA	ENERGY REGULATOR	
104	0641805401	0C9180	COMMUTATORE 4 POSIZIONI	SWITCH 4 POSITION	
108	0624804700	004240	ACCENDITORE	LIGHTER	
109	0452140500	057783	FUSIBILE AUSILIARIO 4A	FUSE 4 A	
110	0544802200	0C2328	PRESSACAVO	TOGHTENER CORD	
111	0548864302	0C3218	MANOPOLA PER VALVOLA GAS	KNOB, GAS VALVE	
112	0830831400	054539	MICRO	MICRO	
113	0639804900	046357	MORSETTIERA	MAIN TERMINAL	
114	0652800401	056582	PORTAFUSIBILE	FUSE HOLDER	
116	0696805700	0C3254	ELETTROVALVOLA	MAGNETIC VALVE	
<b>117</b>	<b>0543800600</b>	<b>052779</b>	<b>GUARNIZIONE OR</b>	<b>OR GASKET</b>	
<b>118</b>	<b>0214110202</b>	<b>0C4595</b>	<b>DADO 1/2"</b>	<b>NUT 1/2"</b>	
119	0140068008	002707	TUBO CORAZZATO	FEEDING PIPE	
120	0544615700	047431	RACCORDO A Y	Y CONNECTION	
121	0639803900	0C3523	FASCETTA	HOSE CLAMP	
122	0511829101	0C5100	RESCA	CONNECTION	Up to 2022/29
<b>123</b>	<b>0835832701</b>	<b>002520</b>	<b>RUBINETTONE SCARICO</b>	<b>DRAIN TAP</b>	
124	0543800200	052902	GUARNIZIONE SCARICO	GASKET DRAIN	
125	0517881000	0C1577	CONTRODADO RUBINETTONE	LOCK NUT DRAIN TAP	
126	0516880202	0C2576	PROLUNGA SCARICO	PIPE EXTENSION DRAIN	
127		0k3020	BOBINA VALV SIT 220/240V 50 Hz	COIL GAS VALV SIT 220/240V 50 Hz	

Electrolux Professional SpA  
Viale Treviso, 15  
33170 Pordenone, ITALY  
Fax (+39) 0434 380 201  
<https://www.electroluxprofessional.com>  
<https://webgate.electroluxprofessional.com>