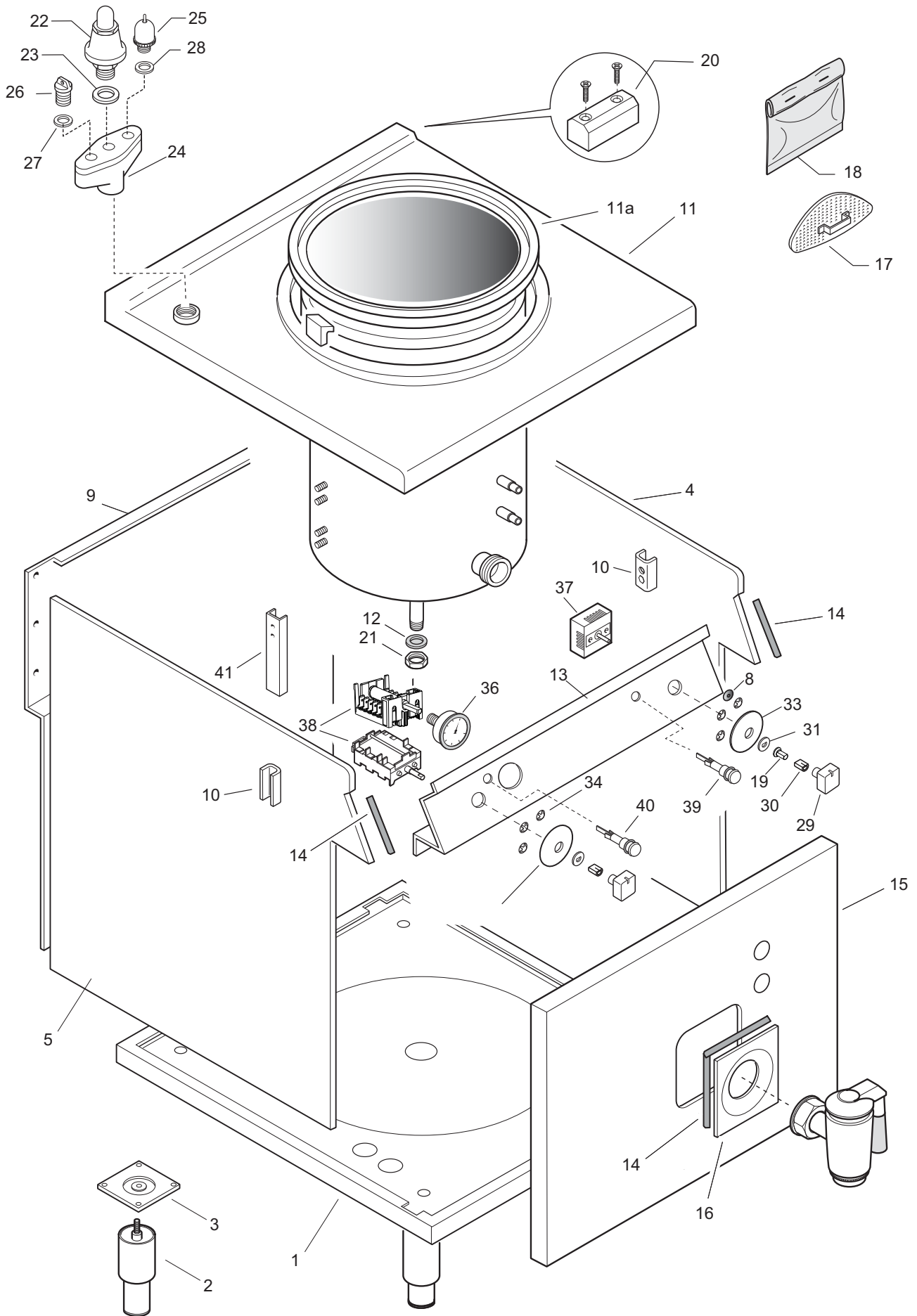


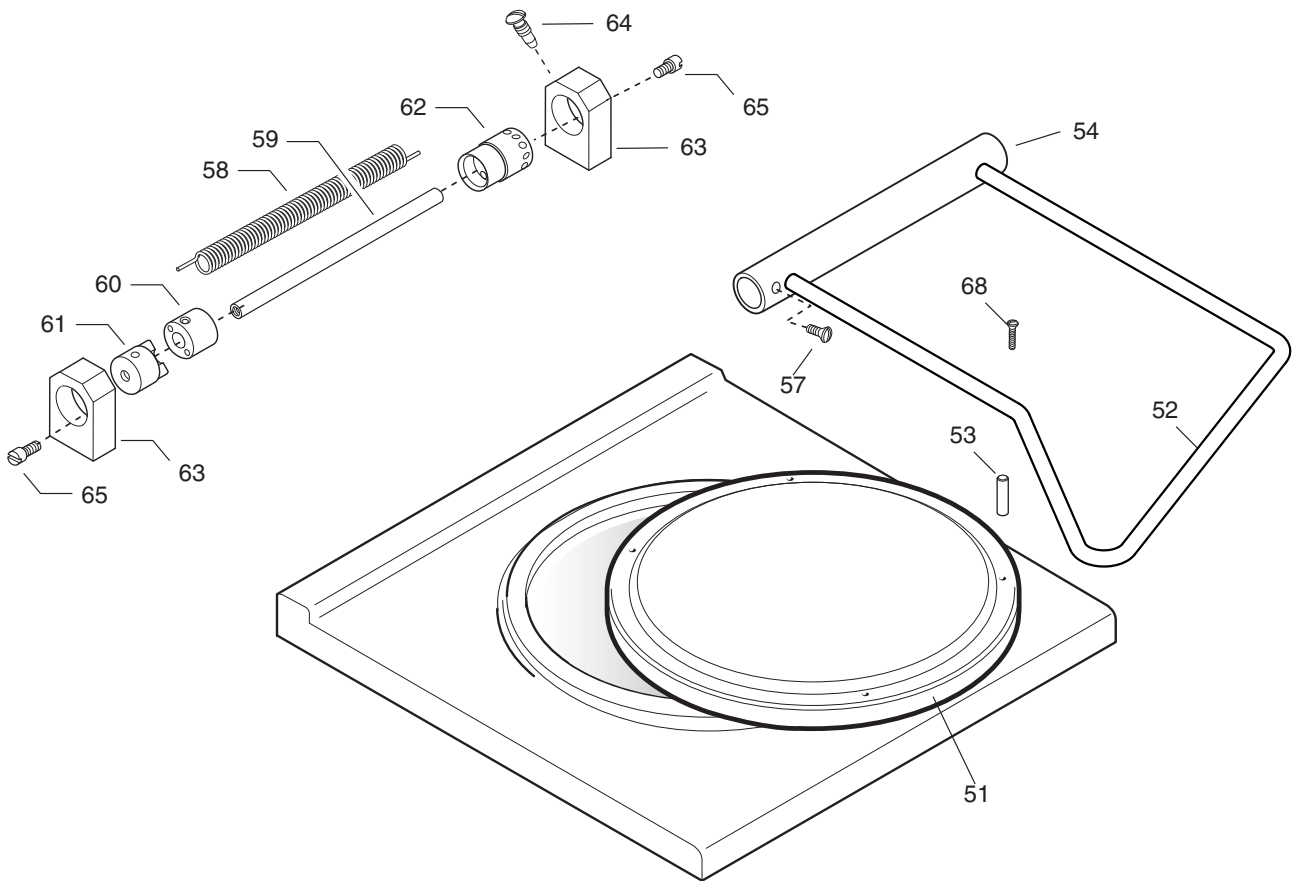
PENTOLE INDIRECTE 60Lt E900XP
BOILING PAN INDIRECT HEATING 60Lt E900XP

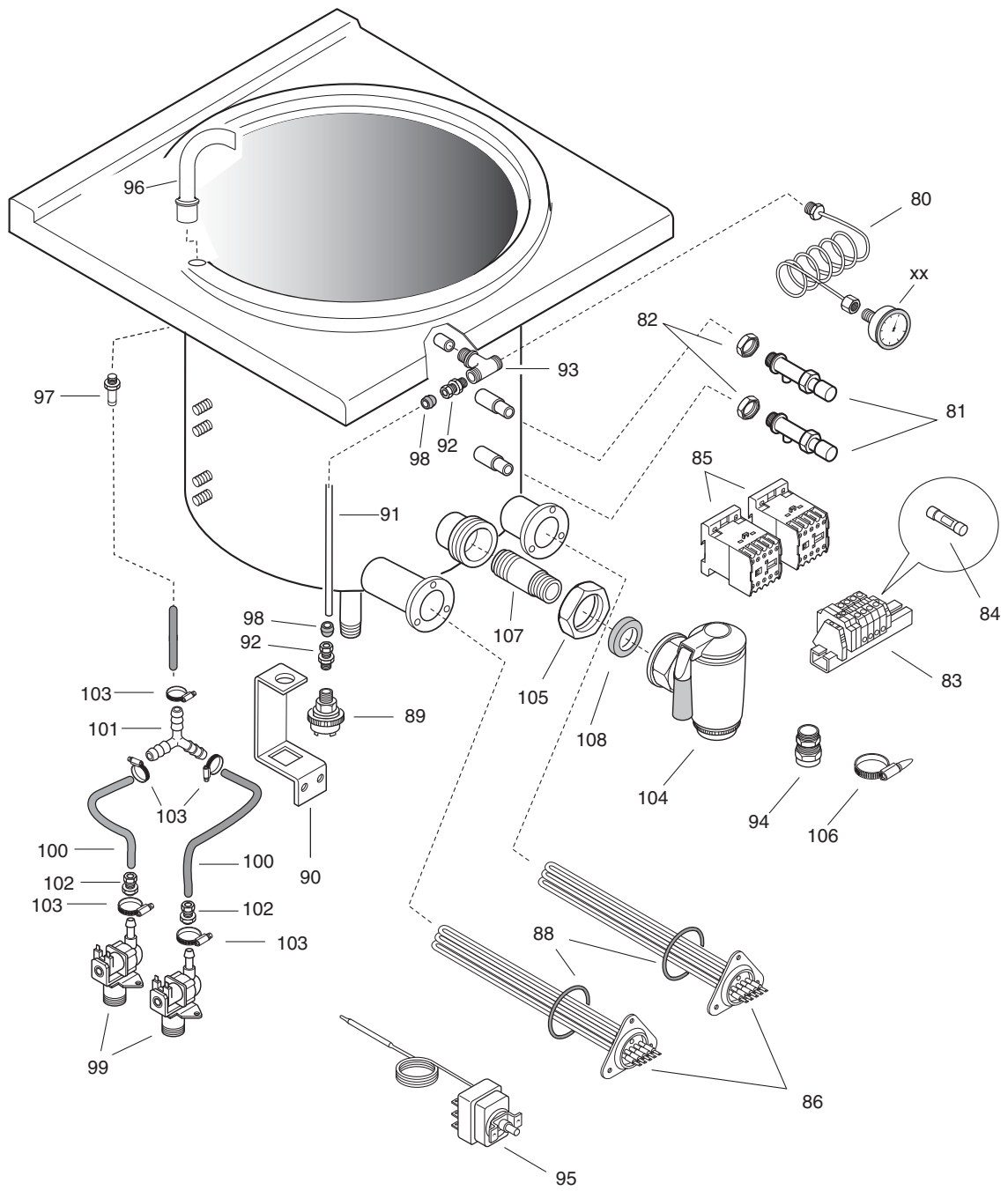
| PNC | Model | Ref | Pag. | Brand | Version | Notes |
|--------|------------|-----|-------|-------|-----------|-------|
| 391232 | E9BSGHINF0 | a | 2...6 | ELX | GAS | |
| 391233 | E9BSEHINF0 | b | 2...6 | ELX | EL | |
| 391234 | E9BSGHIN40 | b | 2...6 | ELX | GAS 60 Hz | |
| 392232 | Z9BSGHINF0 | c | 2...6 | ZAN | GAS | |
| 392233 | Z9BSEHINF0 | d | 2...6 | ZAN | EL | |
| 393232 | A9BSGHINF0 | e | 2...6 | OEM | GAS | |
| 393233 | A9BSEHINF0 | f | 2...6 | OEM | EL | |

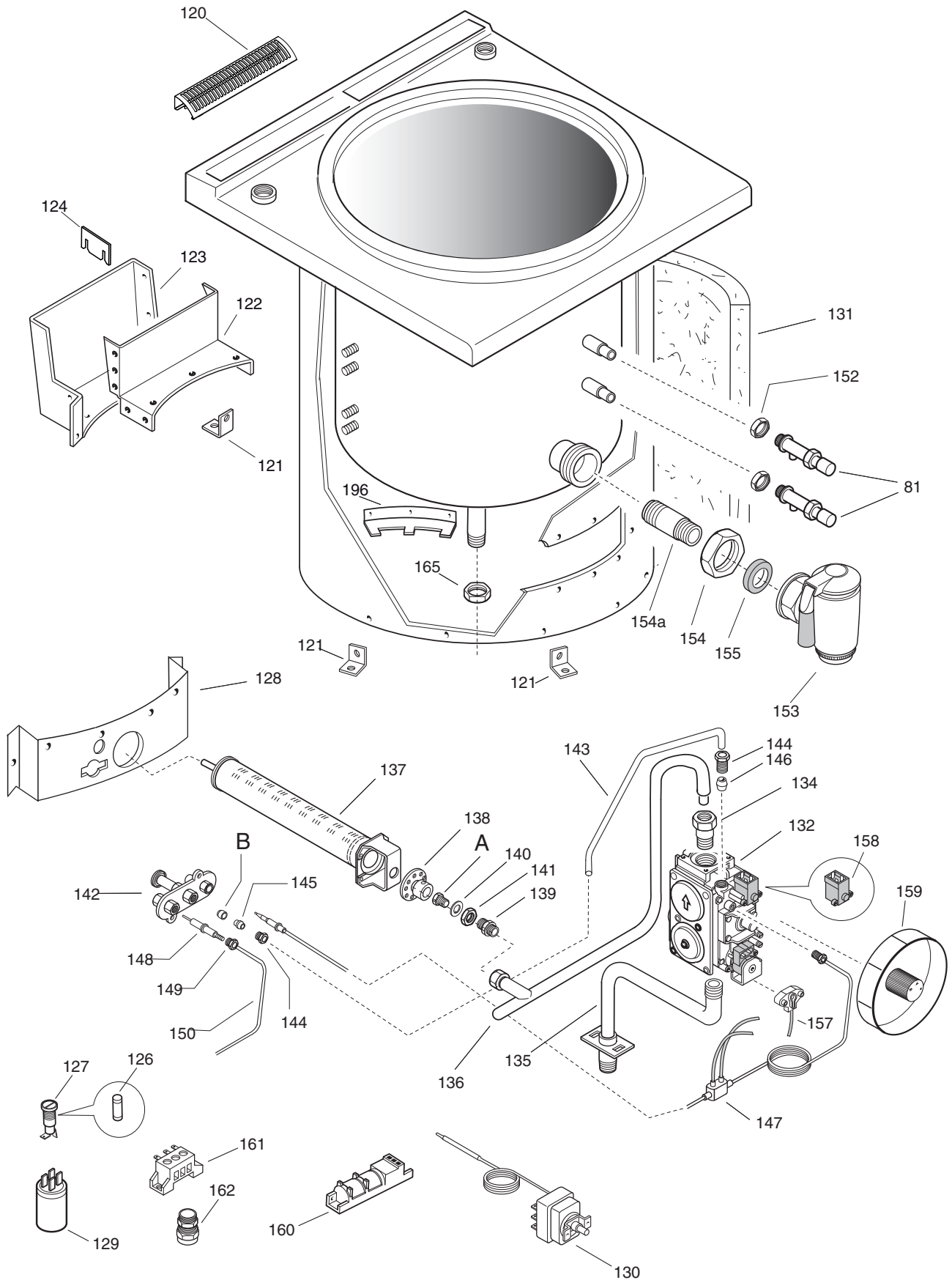
| Pag | Index | Indice | Note |
|-------|---------------------|----------------------|------|
| 2 | General components | Componenti struttura | |
| 3 | Lid components | Componenti coperchio | |
| 4 | Electric components | Componenti elettrici | |
| 5 | Gas components | Componenti gas | |
| 6 | Gas nozzels | Ugelli gas | |
| 7...9 | Spare parts list | Lista ricambi | |

Brand/Marchio: All
Factory code: 9PDX









| A - Ugello bruciatore / Burner nozzle 60LT | | | |
|---|---------------------|--------|--------------|
| 6DGT Code | Ref. / Notes | | |
| 054034 | Ø3 | 2S | G25.1 25mbar |
| 0C0747 | Ø2.7 | 2H | G20 25mbar |
| 0C0552 | ø3.15 | 2ELL | G25 20mbar |
| 054034 | ø3.00 | 2L | G25 25mbar |
| 003723 | ø1.75 | 3+3B/P | G30 36mbar |
| 002905 | ø1.6 | 3+3B/P | G30 50mbar |
| 059366 | ø6 | no CE | G110 8mbar |
| 058236 | Ø3.50 | no CE | G20 10mbar |

| B - Ugello pilota / Pilot nozzle 60Lt | | | |
|--|--------------------|--------|--------------|
| 6DGT Code | Ref./ Notes | | |
| | n°30 | 2S | G25.1 25mbar |
| | n°30 | 2H | G20 25mbar |
| | n°41 | 2ELL | G25 20mbar |
| | n°41 | 2L | G25 25mbar |
| | n°41 | 3+3B/P | G30 36mbar |
| | n°41 | 3+3B/P | G30 50mbar |
| | n°41 | no CE | G110 8mbar |
| | n°75 | no CE | G20 10mbar |

PENTOLE ELETTRICHE INDIRECTE 60Lt E900XP
ELECTRIC BOILING PAN INDIRECT HEATING 60Lt E900XP

| <i>Pos</i> | <i>Factory Code</i> | <i>Spare Code</i> | <i>Descrizione</i> | <i>Description</i> | <i>Ref./Note</i> |
|------------|---------------------|-------------------|---------------------------------|-------------------------------|------------------|
| 1 | 050489KF03 | * | FONDO PENTOLE INDIRECTE | BOTTOM PANEL IND. BOILIN PAN | GAS |
| 1 | 050489KG02 | * | FONDO PENTOLE INDIRECTE | BOTTOM PANEL IND. BOILIN PAN | EL |
| 2 | 0835856900 | 0C0204 | PIEDE | FOOT | |
| 3 | 050589CD00 | | PIASTRA RINFORZO PER PIEDE | PLATE FOR FOOT | |
| 4 | 050389HJ00 | 0CB153 | FIANCO DESTRO | RIGHT PANEL | ELX |
| 4 | 050389HL00 | 0CB154 | FIANCO DESTRO | RIGHT PANEL | ZAN, OEM |
| 5 | 050389HH00 | 0CB151 | FIANCO SINISTRO | LEFT PANEL | ELX |
| 5 | 050389HK00 | 0CB152 | FIANCO SINISTRO | LEFT PANEL | ZAN, OEM |
| 6 | | | | | |
| 7 | | | | | |
| 8 | 0541813800 | 0C6171 | RONDELLA IN SILICONE | SILICONE WASHER | |
| 9 | 0538844801 | | SCHIENALE 800mm | REAR PANEL 800mm | |
| 10 | 0527850500 | 0C0156 | PIASTRA FISSAGGIO FIANCHI | SIDE PANEL JOINTING PLATE | |
| 11 | 087089B600 | 0C7543 | RIPIANO PENTOLA IND.60 Lt | SHELF, IND. BOILING PAN 60Lt | ELX - EL |
| 11 | 087089B100 | 0C7538 | RIPIANO PENTOLA IND.60 Lt | SHELF, IND. BOILING PAN 60Lt | ELX - GAS |
| 11 | 087089FS00 | 0C7553 | RIPIANO PENTOLA IND.60 Lt | SHELF, IND. BOILING PAN 60Lt | ZAN, OEM - EL |
| 11 | 087089FK00 | 0C7546 | RIPIANO PENTOLA IND.60 Lt | SHELF, IND. BOILING PAN 60Lt | ZAN, OEM - GAS |
| 11a | 0874880204 | 004867 | ASSIEME PENTOLA | TANK 60lt | EL |
| 11a | 0874853405 | | ASSIEME PENTOLA | TANK 60lt | GAS |
| 12 | 0246005123 | 0C3448 | GUARNIZIONE SCARICO INTERCAP. | GASKET, DRAIN INTERSPACE | |
| 13 | 085089BQ00 | 0C7535 | CRUSCOTTO | CONTROL PANEL | ELX - EL |
| 13 | 085089DM00 | 0C7537 | CRUSCOTTO | CONTROL PANEL | ELX - GAS |
| 13 | 087089GW00 | 0C7559 | CRUSCOTTO | CONTROL PANEL | ZAN |
| 13 | 050389TS00 | 0C8058 | CRUSCOTTO | CONTROL PANEL | OEM |
| 14 | 0543821900 | 0C2496 | GUARNIZIONE CRUSCOTTO | GASKET, CONTROL PANEL | |
| 15 | 050389Y500 | 0C7809 | PANNELLO FRONTALE PENT.60LT | FRONT PANEL, 60Lt BOILING PAN | GAS |
| 15 | 050389Y600 | 0C7810 | PANNELLO FRONTALE PENT.60LT | FRONT PANEL, 60Lt BOILING PAN | EL |
| 16 | 0530800800 | 0C1575 | PANNELLINO BOCCHETTONE | PANEL, DRAIN TAP | |
| 17 | 0310122725 | 027114 | GRIGLIA DI SCARICO | DRAIN GRID | |
| 18 | 0858800100 | 006101 | KIT ANTI-CORROSIONE (2pz.) | ANTICORROSIVE KIT (2 pcs.) | |
| 19 | 0548877V00 | 0C7345 | ADATTATORE MANOPOLA | KNOB ADAPTER | |
| 20 | 0516860702 | 0C0137 | PIASTRINA PER GIUNZIONE | JOINTING REAR PLATE | |
| 21 | 0210360300 | 051717 | DADO CIECO 1/2" SCARICO INTERC. | CAP NUT 1/2", DRAIN JACKET | |
| 22 | 0835845101 | 004863 | VALVOLA DI SICUREZZA | SAFETY VALVE | |
| 23 | 0543804102 | 054807 | GUARNIZIONE VALVOLA SICUREZZA | GASKET, SAFETY VALVE | |
| 24 | 0210976402 | 054808 | POLMONE PORTA VALVOLE | SIUPPORT, VALVE | |
| 25 | 0335239101 | 051566 | VALVOLA DEPRESSIONE | DEPRESSION VALVE | |
| 26 | 0210362114 | 027297 | TAPPO PER POLMONE | TAP, SUPPORT VALVE | |
| 27 | 0246173500 | 027300 | GUARNIZIONE TAPPO | GASKET, SUPPORT VALVE | |
| 28 | 0246005123 | 060597 | GUARNIZIONE VALVOLA DEPRESS. | GASKET, DEPRESSION VALVE | |
| 29 | 0511850G01 | 0C6670 | MANOPOLA | KNOB | ELX |
| * | 0548877V00 | 0C7345 | ADATTATORE MANOPOLA | KNOB ADAPTER | ELX |
| 29 | 0548864302 | 0C3218 | MANOPOLA X VALVOLA GAS | KNOB FOR GAS VALVE | ELX - GAS |
| 29 | | | MANOPOLA DIA 10 | KNOB DIA 10 | ZAN |
| 29 | 0548878201 | 0C7232 | MANOPOLA DIA 6 | KNOB DIA 6 | ZAN |
| 29 | 0548864302 | 0C3218 | MANOPOLA X VALVOLA GAS | KNOB FOR GAS VALVE | ZAN - GAS |
| 29 | 0548865700 | 0C1380 | MANOPOLA DIA 10 | KNOB DIA 10 | OEM |
| 29 | 0548865500 | 0A5621 | MANOPOLA DIA 6 | KNOB DIA 6 | OEM |
| 29 | 0548864302 | 0C3218 | MANOPOLA X VALVOLA GAS | KNOB FOR GAS VALVE | OEM - GAS |
| 30 | 0214590701 | 025245 | MOLLETTA PER MANOPOLA | SPRING FOR KNOB | |
| 31 | 0543821000 | 053816 | GUARNIZIONE PER MANOPOLA | GASKET, KNOB | |
| 32 | 0548877B00 | 0C7526 | GHIERA CARICO ACQUA | KNOB RING, WATER REFILL | ELX |
| 32 | 0548877B00 | 0C7526 | GHIERA CARICO ACQUA | KNOB RING, WATER REFILL | ZAN |
| 32 | 0548879M00 | 0C7532 | GHIERA CARICO ACQUA | KNOB RING, WATER REFILL | OEM |
| 33 | 0548877G00 | 0C7230 | GHIERA REGOLATORE DI ENERGIA | KNOB RING, ENERGY REGULATOR | ELX |
| 33 | 0548879T00 | 0C7246 | GHIERA REGOLATORE DI ENERGIA | KNOB RING, ENERGY REGULATOR | ZAN, OEM |
| 34 | 0218912211 | 069567 | MOLLETTA PER GHIERA | SPRING, KNOB RING | |

PENTOLE ELETTRICHE INDIRECTE 60L E900XP
ELECTRIC BOILING PAN INDIRECT HEATING 60L E900XP

| <i>Pos</i> | <i>Factory Code</i> | <i>Spare Code</i> | <i>Descrizione</i> | <i>Description</i> | <i>Ref./Note</i> |
|------------|---------------------|-------------------|--------------------------------|----------------------------|------------------|
| 35 | | | | | |
| 36 | 0830895600 | 0C0712 | MANOMETRO | MANOMETER | |
| 37 | 0699802200 | 0C1605 | REGOLATORE DI ENERGIA | ENERGY REGULATOR | |
| 38 | 0641805401 | 0C9180 | COMMUTATORE 4 POSIZIONI | SWITCH 4 POSITION | |
| 39 | 0876800002 | 005010 | LAMPADA VERDE | GREEN LAMP | |
| 40 | 0876800201 | 0C0687 | LAMPADA ROSSA | RED LAMP | |
| 41 | 0543800200 | 052902 | SQUADRETTA FISS. VASCA | BRACKET, FIX TANK | |
| 50 | | | | | |
| 51 | 0805899D00 | 0C6350 | COPERCHIO PENTOLA | LID, BOILING PAN | |
| 52 | 0805899F01 | 0C6343 | MANIGLIA PENTOLA | HANDLE, LID | |
| 53 | 0514897402 | 059525 | DISTANZIALE PER MANIGLIA | SPACER FOR HANDLE | |
| 54 | | | | | |
| 55 | | | | | |
| 56 | | | | | |
| 57 | 0217224125 | 0C2776 | VITE FERMO MOLLA / CERNIERA | SCREW, SPRING LOCK | |
| 58 | 0514894501 | 059518 | MOLLA | SPRING | |
| 59 | 0514894802 | 059862 | ASSE PER CERNIERA | PIN, HINGE | |
| 60 | 0516804500 | 002982 | FERMO PER MOLLA | LOCK, SPRING | |
| 61 | 0514894303 | 059864 | BLOCCO CERNIERA | LOCK, HINGE | |
| 62 | 0516804601 | 002983 | BLOCCO REGOLAZIONE MOLLA | LOCKNUT, ADJUSTING SPRING | |
| 63 | 0511809402 | * | SUPPORTO CERNIERA | SUPPORT, HINGE | |
| 64 | 0514895003 | 059859 | VITE PER SUPPORTO CERNIERA | SCREW, SUPPORT HINGE | |
| 65 | 0514894701 | 059860 | VITE PER ASSE CERNIERA | SCREW, PIN HINGE | |
| 66 | | | | | |
| 67 | | | | | |
| 68 | 0217043125 | 0C3539 | VITE MANIGLIA - COPERCHIO | SCREW, LID - HANDLE | |
| 69 | 0167098086 | 003363 | GRASSO PER PERNO COPERCHIO | GREASE FOR LID | |
| 80 | 0830866802 | 059521 | CAPILLARE PER MANOMETRO | CAPILLARY, MANOMETER | |
| 81 | 0835866202 | 0C1450 | RUBINETTO DI LIVELLO | TAP, LEVEL JACKET | |
| 82 | 0516875001 | 0C1451 | BORCHIETTA PER RUBINETTO | FIXING RING, TAP | |
| 83 | 0639805900 | 059794 | MORSETTIERA CON PORTAFUS. | MAIN TERMINAL | EL |
| 84 | 0452140500 | 057783 | FUSIBILE AUSILIARIO 4 A-250 V. | FUSE 4A - 250V | EL |
| 85 | 0648807400 | 006879 | CONTATTORE | CONTACTOR | EL |
| 86 | 0617839X01 | 002523 | RESISTENZA 4.7KW 230V | HEATING ELEMENT 4.7kW 230V | EL |
| 87 | | | | | |
| 88 | 0543800700 | 046213 | GUARNIZIONE PER RESISTENZA | GASKET, HEATING ELEMENT | EL |
| 89 | 0646815500 | 0C4083 | PRESSOSTATO | PRESSURE SWITCH | |
| 90 | 0527842102 | * | SUPPORTO PRESSOSTATO | PLATE, PRESSURE SWITCH | |
| 91 | 0517881100 | * | CONDUTTURA PRESSOSTATO | PIPE, PRESSURE SWITCH | |
| 92 | 0515863500 | 0C0888 | RACCORDO PER PRESSOSTATO | NIPPLE, PRESSURE SWITCH | |
| 93 | 0511820700 | 0C1449 | RACCORDO A T | T CONNECTION | EL |
| 94 | 0544802300 | 0C0068 | PRESSACAVO | TOGHTENER CORD | EL |
| 95 | 0646809100 | 004862 | TERMOSTATO DI SICUREZZA | SAFETY THERMOSTAT | |
| 96 | 0831840901 | 0C4146 | EROGATORE ACQUA | WATER DISTRIBUTOR | |
| 97 | 0511829100 | 0C5100 | RACCORDO A RESCA | PIPE JUNCTION | |
| 98 | 0215199700 | 052127 | BICONO TENUTA | DOUBLE CONE | |
| 99 | 0696805700 | 0C3254 | ELETTROVALVOLA | MAGNETIC VALVE | |
| 100 | 0140068008 | 002707 | TUBO GOMMA CORAZZATO | FEEDING PIPE | |
| 101 | 0544615700 | 047431 | RACCORDO A Y | Y CONNECTION | |
| 102 | | | | | |
| 103 | 0835823600 | * | FASCETTA | HOSE CLAMP | |
| 104 | 0835832700 | 002520 | RUBINETTONE, SCARICO | DRAIN TAP | |
| 105 | 0517881000 | 0C1577 | CONTRODADO X RUBINETTONE | LOCK NUT, DRAIN TAP | |
| 106 | 0639810200 | 0C0717 | FASCETTA PER FISS. CAVO ALIM. | HOSE CLAMP, FIXING CABLE | EL |
| 107 | 0517880901 | * | PROLUNGA SCARICO | PIPE EXTENSION, DRAIN | |
| 108 | 0543800200 | 052902 | GUARNIZIONE SCARICO | GASKET, DRAIN | |
| 109 | 0830895600 | 0C0712 | MANOMETRO | MANOMETER | |

PENTOLE ELETTRICHE INDIRECTE 60Lt E900XP
ELECTRIC BOILING PAN INDIRECT HEATING 60Lt E900XP

| <i>Pos</i> | <i>Factory Code</i> | <i>Spare Code</i> | <i>Descrizione</i> | <i>Description</i> | <i>Ref./Note</i> |
|------------|---------------------|-------------------|--------------------------------|---------------------------------|------------------|
| 120 | 050389LP00 | 0C7333 | GRIGLIA | GRID | |
| 121 | 0508818601 | 0C0814 | SQUADRETTA SUPP.TO CAMINO | CHIMNEY SUPPORT BRACKET | |
| 122 | 0524897900 | * | ELEMENTO ANT. CAMINO 60Lt | FRONT WALL CHIMNEY 60Lt | GAS |
| 123 | 0524897801 | * | ELEMENTO POST. CAMINO 60Lt | BACK WALL CHIMNEY 60Lt | GAS |
| 124 | 0524898400 | * | DISTANZIALE PER CAMINO | SPACER FOR CHIMNEY | GAS |
| 125 | 0210360300 | 051717 | DADO CIECO 1/2" SCAR. INTERC. | CAP NUT 3/4" DRAIN INTERSPACE | |
| 126 | 0452140500 | 057783 | FUSIBILE 4A 250V | FUSE, 4A 250V | |
| 127 | 0652800401 | 056582 | PORTAFUSIBILE | HOLDER, FUSE | |
| 128 | 0502899003 | * | SUPPORTO BRUC.-PILOTA | SUPPORT BURNER - PILOT | GAS |
| 129 | 0694601000 | 046217 | FILTRO ANTIDISTURBO | FILTER | |
| 130 | 0646813200 | 0C0999 | TERMOSTATO DI SICUREZZA | SAFETY THERMOSTAT | |
| 131 | 0560831207 | * | ISOLAMENTO PENTOLA 60Lt | INSULATION BOILING PAN 60Lt | |
| 132 | 0835819901 | 002903 | VALVOLA GAS | GAS VALVE | GAS |
| 133 | | | | | |
| 134 | 0830873200 | 002074 | RACCORDO USCITA VALVOLA | NIPPLE, OUT VALVE | GAS |
| 135 | 0805899H03 | 0C6379 | TUBO ENTRATA GAS | INLET PIPE, GAS | GAS |
| 136 | 0517881501 | 0C8065 | RIBALTA 60Lt | PIPE , GAS VALVE - BURNER 60Lt | GAS |
| 137 | 0830816204 | 004847 | BRUCIATORE | BURNER | GAS |
| 138 | 0830828001 | 054039 | AREATORE REGOLAZIONE ARIA | AERATOR | GAS |
| 139 | 0514829700 | 054118 | PORTAUGELLO | NOZZLE HOLDER | GAS |
| 140 | 0506833401 | 054029 | GUARNIZIONE UGELLO | GASKET, NOZZLE | GAS |
| 141 | 0214105101 | 020997 | CONTRODADO PORTAUGELLO | LOCK NUT, NOZZLE HOLDER | GAS |
| 142 | 0A05488001 | 0A2472 | PILOTA | PILOT | GAS |
| 143 | 0517881601 | 0C1576 | CONDUTTURA PILOTA 60Lt | PILOT PIPE 60Lt | GAS |
| 144 | 0214164400 | 052125 | RACCORDO M10X1 DIAM 4 | NIPPLE, M10X1 DIAM 4 | GAS |
| 145 | 0215199700 | 052127 | BICONO SPEC.DA 4 | BICONICAL RING, DIAM.4 | GAS |
| 146 | 0515827401 | 053665 | BICONO DIAM.4 | BICONICAL RING, DIAM.4 | GAS |
| 147 | 0831818901 | 0C3162 | TERMOCOPPIA INTERROTTA | THERMOCOUPLE INT. | GAS |
| 148 | 0330272401 | 052610 | ELETTRODO DI ACCENSIONE | ELECTRODE, IGNITION | GAS |
| 149 | 0214164101 | 057960 | RACCORDO FISS. CANDELA | NIPPLE, ELECTRODE | GAS |
| 150 | | | | | |
| 151 | | | | | |
| 152 | 0516875001 | 0C1451 | BORCHIETTA PER RUBINETTO | FIXING RING, TAP | |
| 153 | 0835832700 | 002520 | BOCCHETTONE SCARICO | DRAIN TAP | |
| 154 | 0517881000 | 0C1577 | CONTRODADO RUBINETTONE | LOCK NUT, DRAIN TAPE | |
| 154a | 0517880901 | * | PROLUNGA SCARICO | DRAIN PIPE | |
| 155 | 0543800200 | 052902 | GUARNIZIONE | GASKET, DRAIN TAPE | |
| 156 | 0524898001 | * | ANELLO CHIUSURA FUMI | RING | GAS |
| 157 | 0830831400 | 054539 | CONSENSO ACC. VALVOLA | MICRO VALVE | GAS |
| 158 | - | 0K3020 | BOBINA VALV. SIT 220/240V 50HZ | COIL GAS VAL. SIT 220/240V 50HZ | GAS |
| 159 | 0548864302 | | MANOPOLA VALVOLA | GAS VALVE KNOB | GAS |
| 160 | 0624804700 | 004240 | ACCENDITORE | LIGHTER | GAS |
| 161 | 0639804900 | 046357 | MORSETTIERA | MAIN TERMINAL | GAS |
| 162 | 0544802200 | * | PRESSACAVO | TOGHTENER CORD | GAS |