

FRIGGITRICI ELETTRICHE 23Lt E900 XP
 ELECTRIC FRYERS 23Lt E900 XP

| NEW PNC | DESCRIPTION | VOLT | REF |
|------------|---|---------|-----|
| 391337 | 23LT EL.FRYER-1 WELL+2 1/2 BASKETS | 380-415 | A |
| 391380 | 23LT EL.FRYER-1 WELL+2 1/2 BASKETS-SOLAS-400V | 400 | B |
| 391381 | 23LT EL.FRYER-1 WELL+2 1/2 BASKETS-SOLAS-440V | 440 | C |
| 391384 | 23LT EL.FRYER-1 WELL+2 1/2 BASKETS-430V | 415-430 | D |
| 391338 | 23+23LT EL.FRYER-2 WELLS+4 1/2 BASKETS | 380-415 | E |
| 391382 | 23+23LT EL.FRYER-2 WELLS+4 1/2 BASKETS-SOLAS- | 400 | F |
| 391383 | 23+23LT EL.FRYER-2 WELLS+4 1/2 BASKETS-SOLAS- | 440 | G |
| 391385 | 23+23LT EL.FRYER-2 WELLS+4 1/2 BASKETS-430V | 415-430 | H |
| 392337 | 23LT EL.FRYER-1 WELL+2 1/2 BASKETS | 380-415 | I |
| 392384 | 23LT EL.FRYER-1 WELL+2 1/2 BASKETS-430V | 415-430 | J |
| 392338 | 23+23LT EL.FRYER-2 WELLS+4 1/2 BASKETS | 380-415 | K |
| 392385 | 23+23LT EL.FRYER-2 WELLS+4 1/2 BASKETS-430V | 415-430 | L |
| 393337 | 23LT EL.FRYER-1 WELL+2 1/2 BASKETS | 380-415 | M |
| 393384 | 23LT EL.FRYER-1 WELL+2 1/2 BASKETS-430V | 415-430 | N |
| 393338 | 23+23LT EL.FRYER-2 WELLS+4 1/2 BASKETS | 380-415 | O |
| 393385 | 23+23LT EL.FRYER-2 WELLS+4 1/2 BASKETS-430V | 415-430 | P |

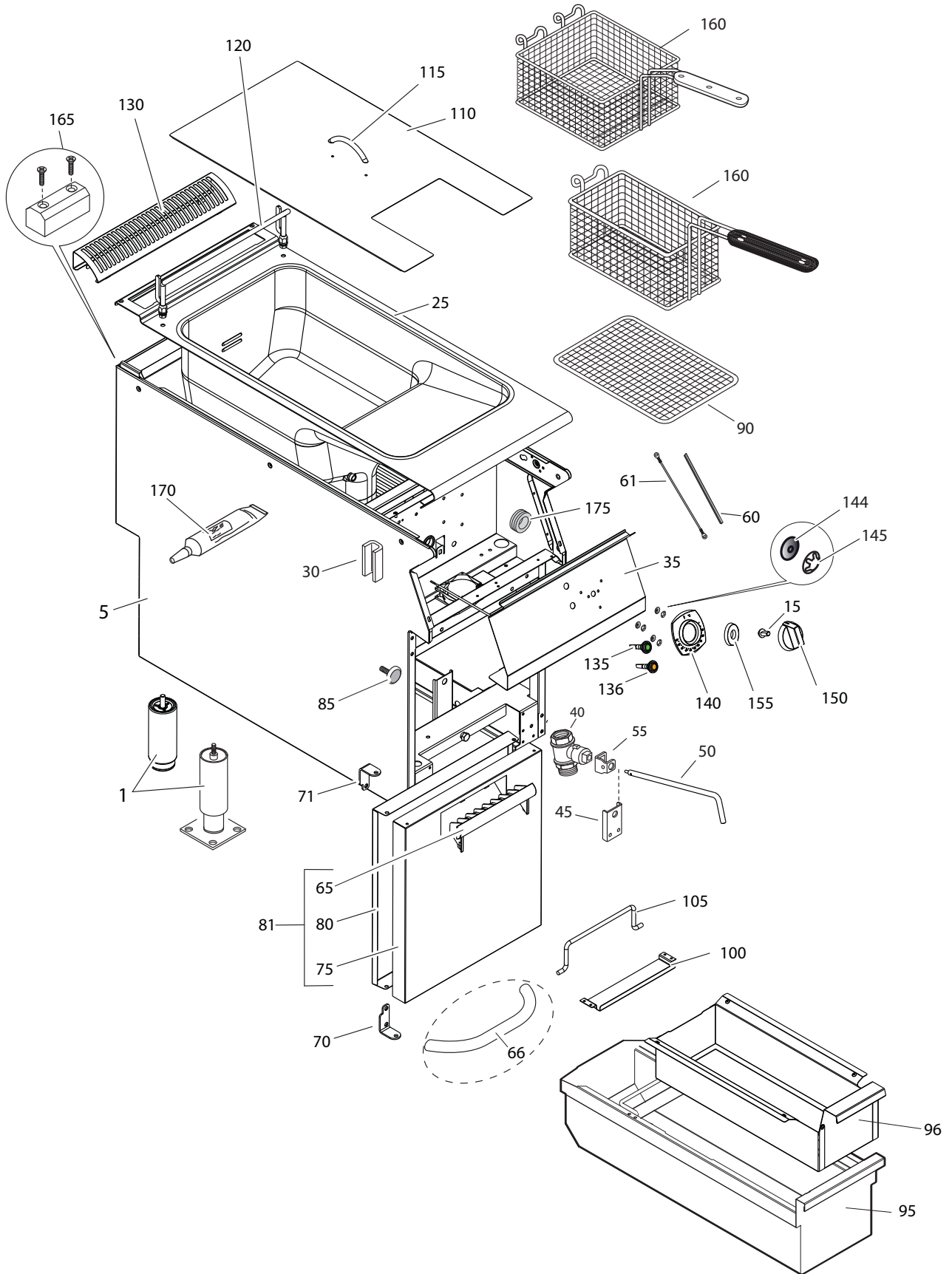
Index

General componets / Componenti struttura
 Well components / Componenti vasca
 Spare parts list / Liste ricambi

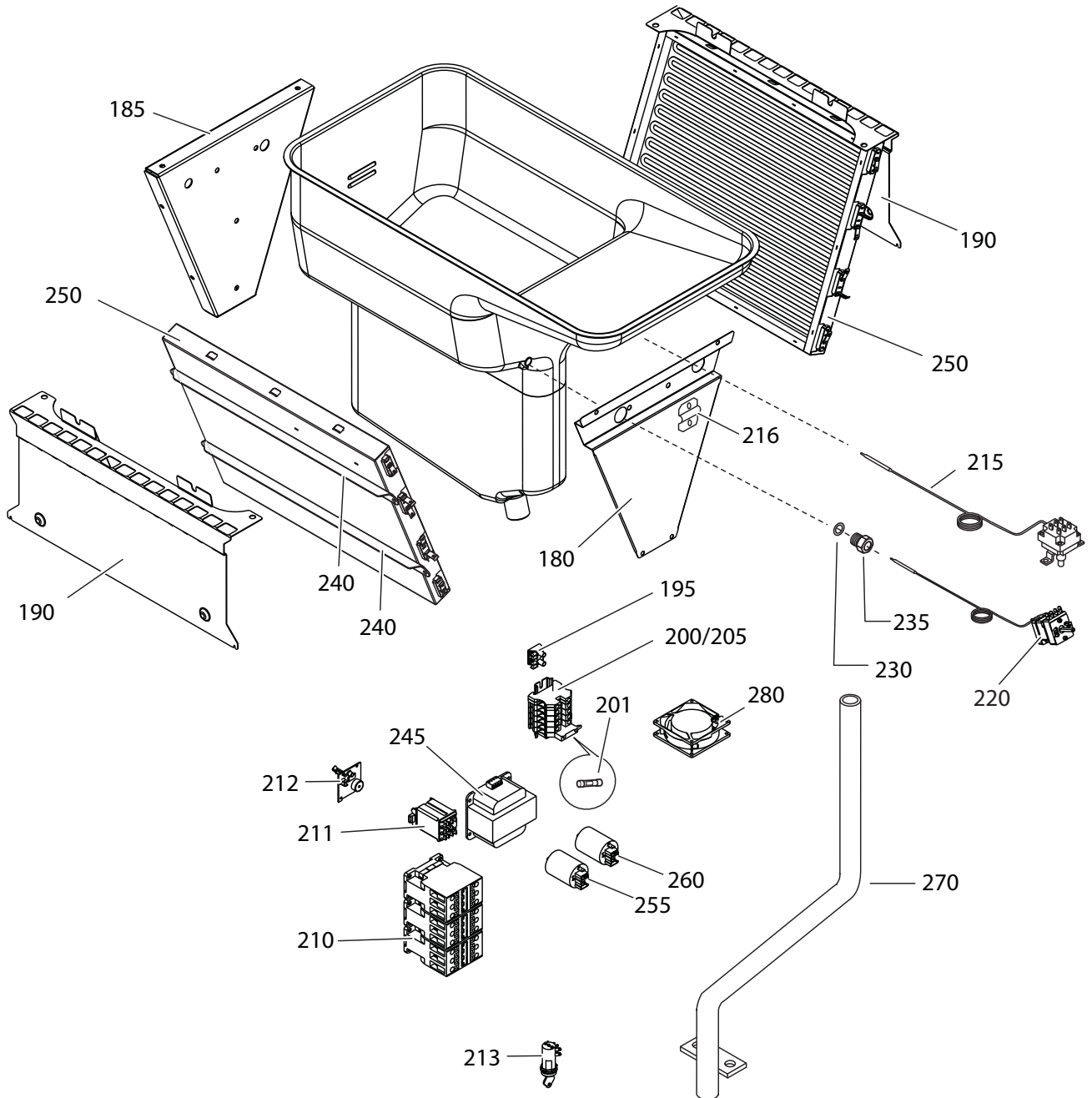
Page 2
 Page 3
 Page 4,5

Bold = Last change
Grassetto= Ultima modifica

FRIGGITRICI ELETTRICHE 23Lt E900 XP
 ELECTRIC FRYERS 23Lt E900 XP



FRIGGITRICI ELETTRICHE 23Lt E900 XP
 ELECTRIC FRYERS 23Lt E900 XP



FRIGGITRICI ELETTRICHE 23Lt E900 XP
ELECTRIC FRYERS 23Lt E900 XP

FRIGGITRICI ELETTRICHE 23Lt E900 XP
ELECTRIC FRYERS 23Lt E900 XP

| Pos | Spare part Code | Factory Code | Descrizione | Description | Ref./Note |
|------------|------------------------|---------------------|-------------------------------|------------------------------|------------------------------------|
| 1 | 0C0204 | 835856901 | PIEDE | FOOT | A, D, E, H, I, J, K, L, M, N, O, P |
| | 0C3324 | 806844600 | PIEDE CON FLANGIA | FOOT WITH BASE | B, C, F, G |
| 5 | 0CA526 | 85089DY02 | ASS. FASCIA MONOBLOCCO 400 mm | ASSEMBLY BAND 400 mm | A, B, C, D |
| 5 | 0C9010 | 85089DZ02 | ASS. FASCIA MONOBLOCCO 800 mm | ASSEMBLY BAND 800 mm | E, F, G, H |
| 5 | | 85089F302 | ASS. FASCIA MONOBLOCCO 400 mm | ASSEMBLY BAND 400 mm | I, J, M, N |
| 5 | 0C8984 | 85089F402 | ASS. FASCIA MONOBLOCCO 800 mm | ASSEMBLY BAND 800 mm | K, L, O, P |
| 10 | 0C6171 | 541813800 | RONDELLA SILICONE | SILICONE WASHER | |
| 15 | 0C7345 | 548877V00 | ADTTATORE MANOPOLA | KNOB ADAPTER | A, B, C, D, E, F, G, H |
| 25 | | 50389MS01 | RIPIANO / VASCA 400mm | WORKTOP / TANK 400mm | A, B, C, D |
| | | 50389MW01 | RIPIANO / VASCA 800mm | WORKTOP / TANK 800mm | E, F, G, H |
| | | 50389R402 | RIPIANO / VASCA 400mm | WORKTOP / TANK 400mm | I, J, M, N |
| | | 50389R502 | RIPIANO / VASCA 800mm | WORKTOP / TANK 800mm | K, L, O, P |
| 30 | 0C0156 | 527850500 | PIASTRA FISSAGGIO FIANCHI | SIDE PANEL JOINTING PLATE | |
| 35 | 0C7740 | 85589AK02 | CRUSCOTTO 400mm | CONTROL PANEL 400mm | A, D |
| | 0C7741 | 85589AL02 | CRUSCOTTO 800mm | CONTROL PANEL 800mm | E, H |
| | 0C7517 | 87089J601 | CRUSCOTTO 400mm | CONTROL PANEL 400mm | I, J |
| | 0C7516 | 87089J101 | CRUSCOTTO 800mm | CONTROL PANEL 800mm | K, L |
| | 0C7523 | 50389N801 | CRUSCOTTO 400mm | CONTROL PANEL 400mm | A, D, I, J, M, N |
| | 0C7524 | 50389N901 | CRUSCOTTO 800mm | CONTROL PANEL 800mm | E, H, K, L, O, P |
| 40 | 006688 | 835855000 | VALVOLA SCARICO | DRAIN VALVE | |
| 45 | * | 50589K700 | SUPPORTO LEVA SCARICO | SUPPORT, DRAIN EXTENSION | |
| 50 | 0C0608 | 516868800 | PROLUNGA LEVA SCARICO | DRAIN EXTENSION HANDLE | |
| 55 | 006877 | 508897003 | CONNESSIONE PROLUNGA SCARICO | CONNECTION, DRAIN EXTENSION | |
| 60 | 0C2496 | 543821900 | GUARNIZIONE - GRIGIA | GRAY GASKET | SPONGE 6X2MM |
| 61 | 0C7366 | 830825901 | CAVETTO SOSTEGNO CRUSCOTTO | SUPPORT CABLE, CONTROL PANEL | |
| 65 | 0C8769 | 54887AH00 | MANIGLIA | HANDLE | A, B, C, D, E, F, G, H |
| 66 | 0C8190 | 54887A802 | MANIGLIA | HANDLE | I, J, K, L |
| | 0A5021 | 854864203 | MANIGLIA | HANDLE | M, N, O, P |
| 70 | 0C0138 | 516860801 | CERNIERA INFERIORE | HINGE, LOWER | |
| 71 | 0C0139 | 516860901 | CERNIERA SUPERIORE | HINGE, UPPER | |
| 75 | 0C7157 | 50389G300 | PORTA | DOOR | A, B, C, D, E, F, G, H, I, J, K, L |
| | * | 50389MB01 | PORTA | DOOR | M, N, O, P |
| 80 | 0C7158 | 50489CQ00 | CONTROPORTA | INNER DOOR | |
| 81 | 0C7163 | 85589CT03 | ASS.PORTINA +MANIGLIA | COMPLETE DOOR WITH HANDLE | A, B, C, D, E, F, G, H |
| | 0C7165 | 85589CU05 | ASS.PORTINA+MANIGLIA | COMPLETE DOOR WITH HANDLE | I, J, K, L |
| | 0C7627 | 85589CV02 | ASS.PORTINA+MANIGLIA | COMPLETE DOOR WITH HANDLE | M, N, O, P |
| 85 | 0C0201 | 830898201 | MAGNETE PER PORT A | MAGNET, DOOR | |
| 90 | 006130 | 830884701 | GRIGLIA FONDO | BOTTOM GRILL | |
| 91 | 006133 | 850894500 | CESTELLO | BASKET | |
| 95 | 0CB342 | 87589FL01 | BACINELLA OLIO COMPLETA | COMPLETE BASIN FOR OIL | |
| 96 | 0CB343 | 85589HC01 | FILTRO OLIO (CASSETTINO) | OIL FILTER (SMALL TRAY) | |
| 100 | 0C0612 | 528822801 | SUPPORTO MANIGLIA | SUPPORT, HANDLE BASIN | |
| 105 | 006131 | 516849501 | MANIGLIA BACINELLA | HANDLE, BASIN | |
| 110 | 0C0613 | 529890101 | COPERCHIO FRIGGITRICE 23Lt | LID, FRYER 23Lt | |
| 115 | 0C0614 | 511819000 | MANIGLIA COPERCHIO | HANDLE, LID | |
| 120 | 006583 | 516847804 | SUPPORTO CESTELLI | SUPPORT, BASKET | |
| 130 | 0C7333 | 50389LP00 | GRIGLIA CAMINO | GRID | |
| 135 | 005010 | 876800002 | LAMPADA SPIA VERDE | LAMP; GREEN | |
| 136 | 005011 | 876800102 | LAMPADA SPIA ARANCIO | LAMP; ORANGE | |
| 140 | 0C7481 | 548877L00 | GHIERA | RING, KNOB | A, B, C, D, E, F, G, H |

FRIGGITRICI ELETTRICHE 23Lt E900 XP
ELECTRIC FRYERS 23Lt E900 XP

From Ser. Nr. 8041
Up to Ser. Nr.

Ed. document . N° 1 / 02 2018

Page 4

Doc. N° 59785VX00

FRIGGITRICI ELETTRICHE 23Lt E900 XP
ELECTRIC FRYERS 23Lt E900 XP

| Pos | Spare part Code | Factory Code | Descrizione | Description | Ref./Note |
|-----|-----------------|--------------|---|--|---------------------------------------|
| | 0C7485 | 548879W00 | GHIERA | RING, KNOB | I, J, K, L, M, N, O, P |
| 144 | 0C6171 | 0541813800 | RONDELLA SILICONE | SILICONE WASHER | |
| 145 | 069567 | 218912211 | ANELLO DI FISSAGGIO GHIERA | SPRING, KNOB RING | |
| 150 | 0C6670 | 511850G01 | MANOPOLA | KNOB | A, B, C, D, E, F, G, H |
| | 0C7232 | 548878201 | MANOPOLA | KNOB | I, J, K, L |
| | 0A5621 | 548865500 | MANOPOLA | KNOB | M, N, O, P |
| 155 | 053816 | 543821000 | GUARNIZIONE PER MANOPOLA | GASKET, KNOB | E, F, G, H, K, L, O, P |
| 160 | 006133 | 850894500 | CESTELLO ½ MODULO | ONE BASKET 1/2 | 23lt |
| | 006539 | 878824600 | CESTELLO 1 MODULO INTERO | FULL SIZE BASKET | 23+23lt |
| 165 | 0C0137 | 516860702 | PIASTRA GIUNZIONE APPARECC. | JOINTING REAR PLATE | |
| 170 | 006083 | 147098044 | ADESIVO SILICONICO gr.100 | ADHESIVE PIPE gr.100 | |
| 175 | 050180 | 246520500 | PASSACAVO DIA.23 | CABLE GROMMET DIA.23 | |
| 180 | | 50489WX00 | SUPPORTO ANT. RESISTENZA | FRONT SUPPORT, HEATING ELEM. | |
| 185 | | 50489V000 | SUPPORTO POST. RESISTENZA | REAR SUPPORT, HEATING ELEM. | |
| 190 | | 50489V100 | SUPPORTO SUPERIORE RESIST. | UPPER SUPPORT, HEATING ELEM. | |
| 195 | | 639400700 | MORSETTIERA | TERMINAL BOARD | B, C, F, G |
| 200 | | 639811900 | MORSETTIERA+PORTA FUSIBILE | TERMINAL BOARD + FUSE HOLDER | A, D, I, J, M, N |
| 201 | 054456 | 652800100 | FUSIBILE MORSETTIERA 5x20 1A | FUSE, TERMINAL BOARD 5x20 1A | A, D, I, J, M, N |
| 205 | 006854 | 639806600 | MORSETTIERA 16MM | TERMINAL BOARD 16MM | B, C, E, F, G, H, K, L, O, P |
| 210 | 007080 | 648807700 | CONTATTORE 32A 230V | CONTACTOR 32A 230V | |
| | 007080 | 648807700 | CONTATTORE 18A 230V | CONTACTOR 18A 230V | D,H,J,L,N,P |
| 211 | 006610 | 648806900 | RELE | RELAY | B, C, F, G |
| 212 | * | 675401000 | SCHEDA BUZZER | BUZZER , BOARD | B, C, F, G |
| 213 | * | 80589DW00 | BLOCCETTO CHIAVE SOLAS | LOCK AND KEY SOLAS | B, C, F, G |
| 215 | 005941 | 646810002 | TERMOSTATO DI SICUREZZA | SAFETY THERMOSTAT | |
| 216 | 0C4749 | 527871901 | SUPPORTO BULBO LIMITATORE | SUPPORT SAFETY THERMOSTAT | |
| 220 | 052330 | 446578713 | INTERRUTT. CON TERMOSTATO | SWITCH WITH THERMOSTAT | |
| 230 | 059293 | 543815000 | GUARNIZIONE OR | OR GASKET RING | |
| 235 | 059295 | 514874500 | PREMISTOPPA | BULB STOPPER | |
| 240 | * | 50589KR00 | SUPPORTO FASCIA, RESISTENZA | STRAPPER H.ELEMENT | |
| 245 | 006710 | 0624806700 | AUTOTRASFORMATORE 0-240-400-440V 150VA | VOLTAGE ADAPTOR | B, C, F, G |
| 250 | 006158 | 617821805 | RESISTENZA; 9000 W-400V | HEATING ELEMENT; 9000 W-400V | A, B, E, F, I, K, M, O |
| | 0CB356 | 61783AK00 | RESISTENZA; 9000 W-440V | HEATING ELEMENT; 9000 W-440V | C ,D, G, H, J, L, N, P |
| 255 | 049303 | 694605400 | FILTRO RFI, TRIFASE | THREEFASE RADIO INTERFERENCE FILTER | A, D, E, H, I, J, K, L, M, N, O, P |
| 260 | 0CB477 | 694400U00 | FILTRO RFI, MONOFASE | SINGLE FASE R.I.FILTER | A, D, E, H, I, J, K, L, M, N, O, P |
| 270 | * | 85589H100 | ENTRATA CAVO ELETTRICO 400mm | ELECT. CABLE INLET 400mm | A, B, C, D, I, J, M, N |
| | * | 85589H700 | ENTRATA CAVO ELETTRICO 800mm | ELECT. CABLE INLET 800mm | E, F, G, H, K, L, O, P |
| 280 | 006125 | 624806302 | MOTO VENTILATORE | MOTORVENTILATOR | E, F, G, H, K, L, O, P |

From Ser. Nr. 8041
Up to Ser. Nr.

Ed. document . N° 1 / 05 2018

Page 5

Doc. N° 59785VX00