

SPARE PARTS CATALOGUE
 CATALOGO PARTI DI RICAMBIO
 FRIGGITRICI ELETTRICHE ELETTRONICHE 23L E900XP
 ELECTRIC ELECTRONIC FRYERS 23L E900XP

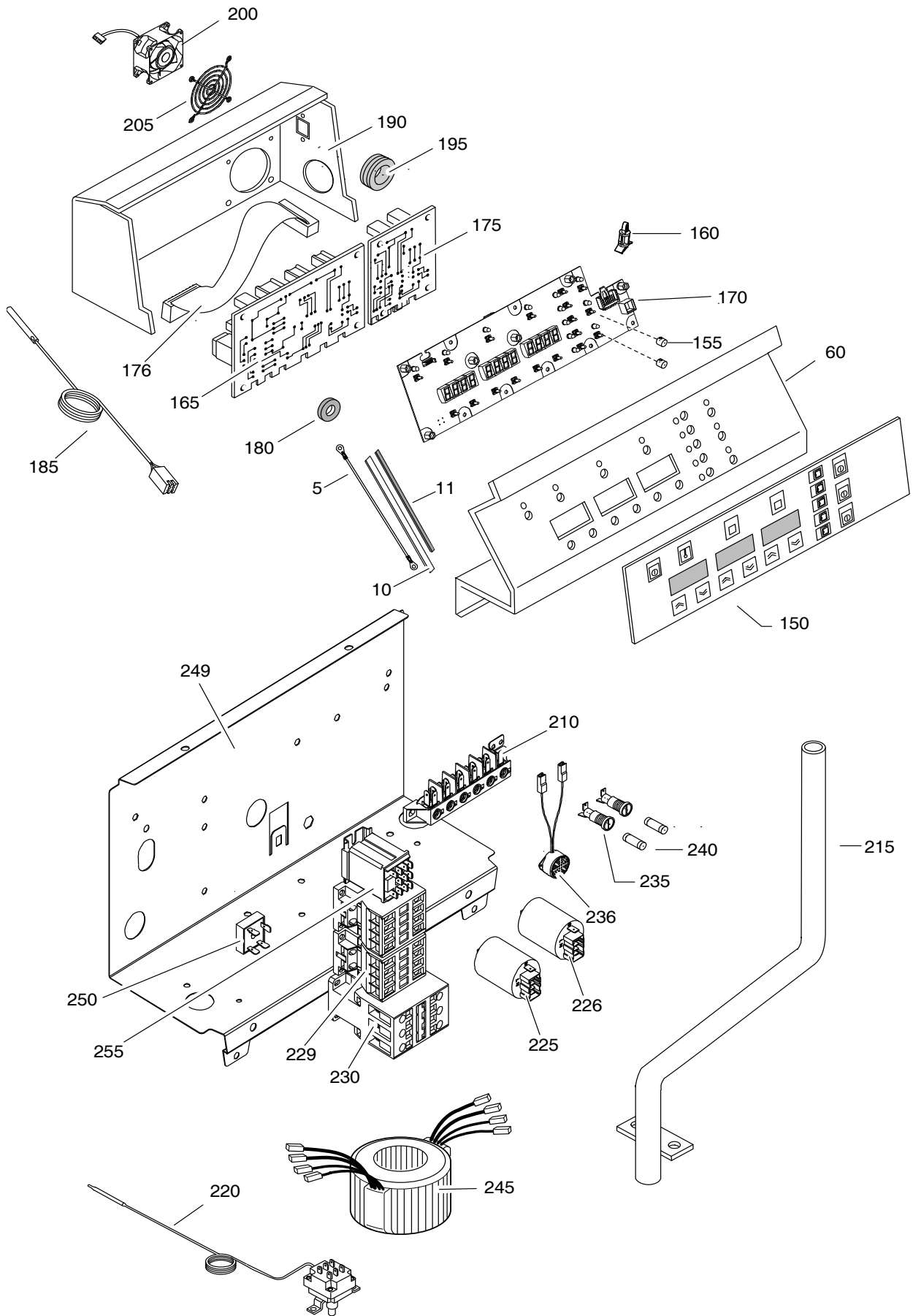
| PNC | VOLTAGE | DESCRIPTION | BRAND | REF |
|--------|--------------|---|-------|-----|
| 391339 | 380-415 3+N | 23LT EL. FRYER PROGRAMMABLE | ELX | A |
| 391340 | 380-415 3+N | 23LT EL. FRYER-PROGR. + PUMP | ELX | B |
| 391341 | 400-430V 3+N | 23LT EL. FRYER-PROG. +PUMP+LIFT | ELX | C |
| 391345 | 400-430V 3+N | 23L EL. FRYER-PROG. +PUMP+LIFT. +AUTO | ELX | D |
| 391386 | 415-430 3+N | 23LT EL. FRYER PROGRAMMABLE-430V | ELX | E |
| 391387 | 415-430 3+N | 23LT EL. FRYER-PROGR. + PUMP-430V | ELX | F |
| 391388 | 380-415 3+N | 23LT EL. FRYER-PROG. + PUMP+LIFT. | ELX | G |
| 391390 | 400-430V 3+N | 23L EL. FRYER-PROG. +PUMP+LIFT. +AUTO COOK-430V | ELX | H |
| 392339 | 380-415 3+N | 23LT EL. FRYER PROGRAMMABLE | ZAN | I |
| 392340 | 380-415 3+N | 23LT EL. FRYER-PROGR. + PUMP | ZAN | J |
| 392341 | 380-415 3+N | 23LT EL. FRYER-PROG. + PUMP+LIFT. | ZAN | K |
| 392345 | 400-430V 3+N | 23L EL. FRYER-PROG. +PUMP+LIFT. +AUTO | ZAN | L |
| 392386 | 415-430 3+N | 23LT EL. FRYER PROGRAMMABLE-430V | ZAN | M |
| 392387 | 415-430 3+N | 23LT EL. FRYER-PROGR. + PUMP-430V | ZAN | N |
| 392388 | 415-430 3+N | 23LT EL. FRYER-PROG. + PUMP+LIFT. -430V | ZAN | O |
| 392390 | 400-430V 3+N | 23L EL. FRYER-PROG. +PUMP+LIFT. +AUTO COOK-430V | ZAN | P |
| 393339 | 380-415 3+N | 23LT EL. FRYER PROGRAMMABLE | OEM | Q |
| 393340 | 380-415 3+N | 23LT EL. FRYER-PROGR. + PUMP | OEM | R |
| 393341 | 380-415 3+N | 23LT EL. FRYER-PROG. + PUMP+LIFT. | OEM | S |
| 393345 | 400-430V 3+N | 23L EL. FRYER-PROG. +PUMP+LIFT. +AUTO | OEM | T |
| 393386 | 415-430 3+N | 23LT EL. FRYER PROGRAMMABLE-430V | OEM | U |
| 393387 | 415-430 3+N | 23LT EL. FRYER-PROGR. + PUMP-430V | OEM | V |
| 393388 | 415-430 3+N | 23LT EL. FRYER-PROG. + PUMP+LIFT. -430V | OEM | W |
| 393390 | 400-430V 3+N | 23L EL. FRYER-PROG. +PUMP+LIFT. +AUTO COOK-430V | OEM | X |

Index

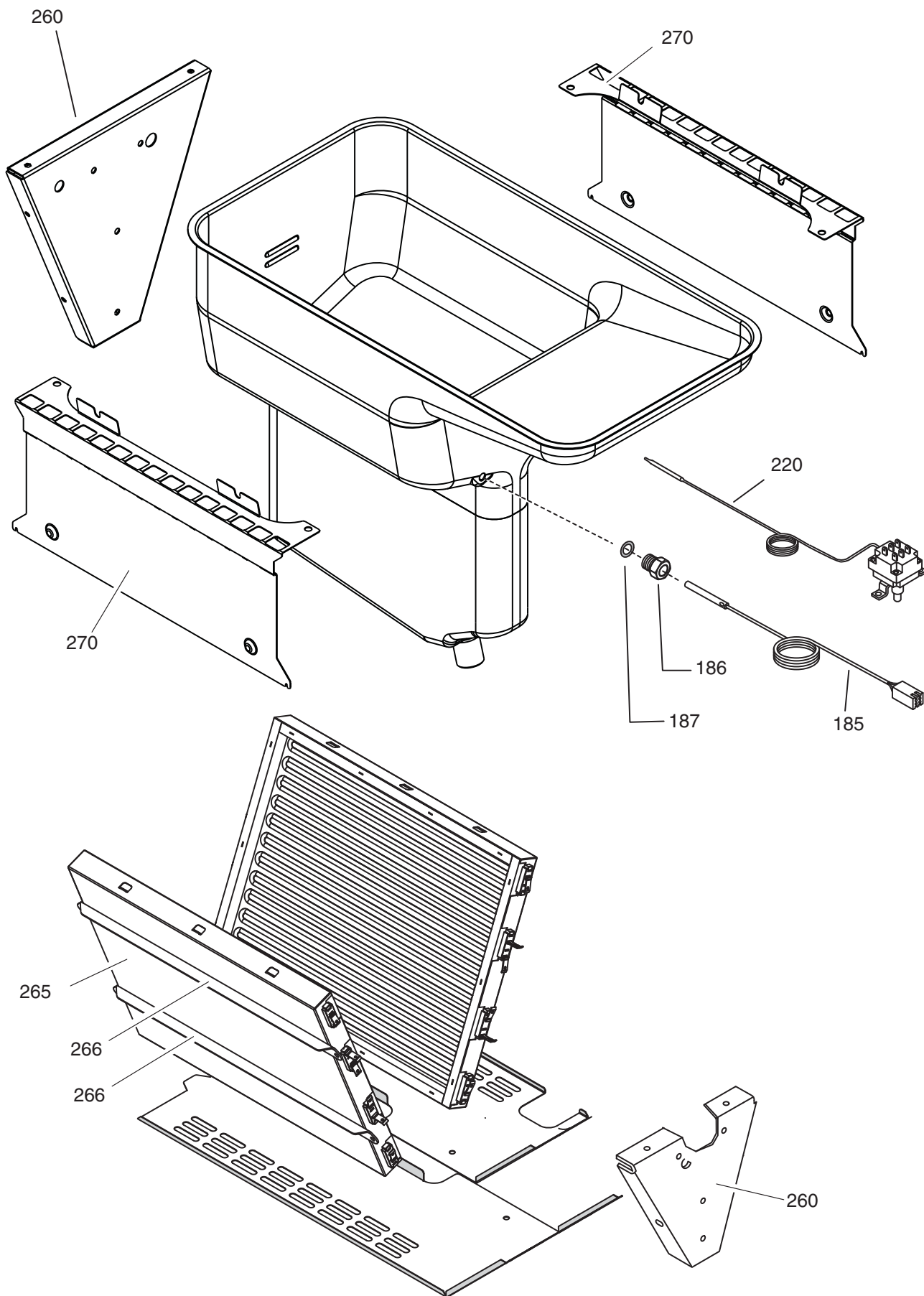
| | |
|--|------------|
| General componets / Componenti struttura | Page 2 |
| Electric components / Componenti elettrici | Page 3 |
| Well / Vasca | Page 4 |
| Lifting & Pump components / Componenti | Page 5 |
| Spare parts list / Liste ricambi | Page 6,7,8 |

Bold = Last change
Grassetto= Ultima modifica

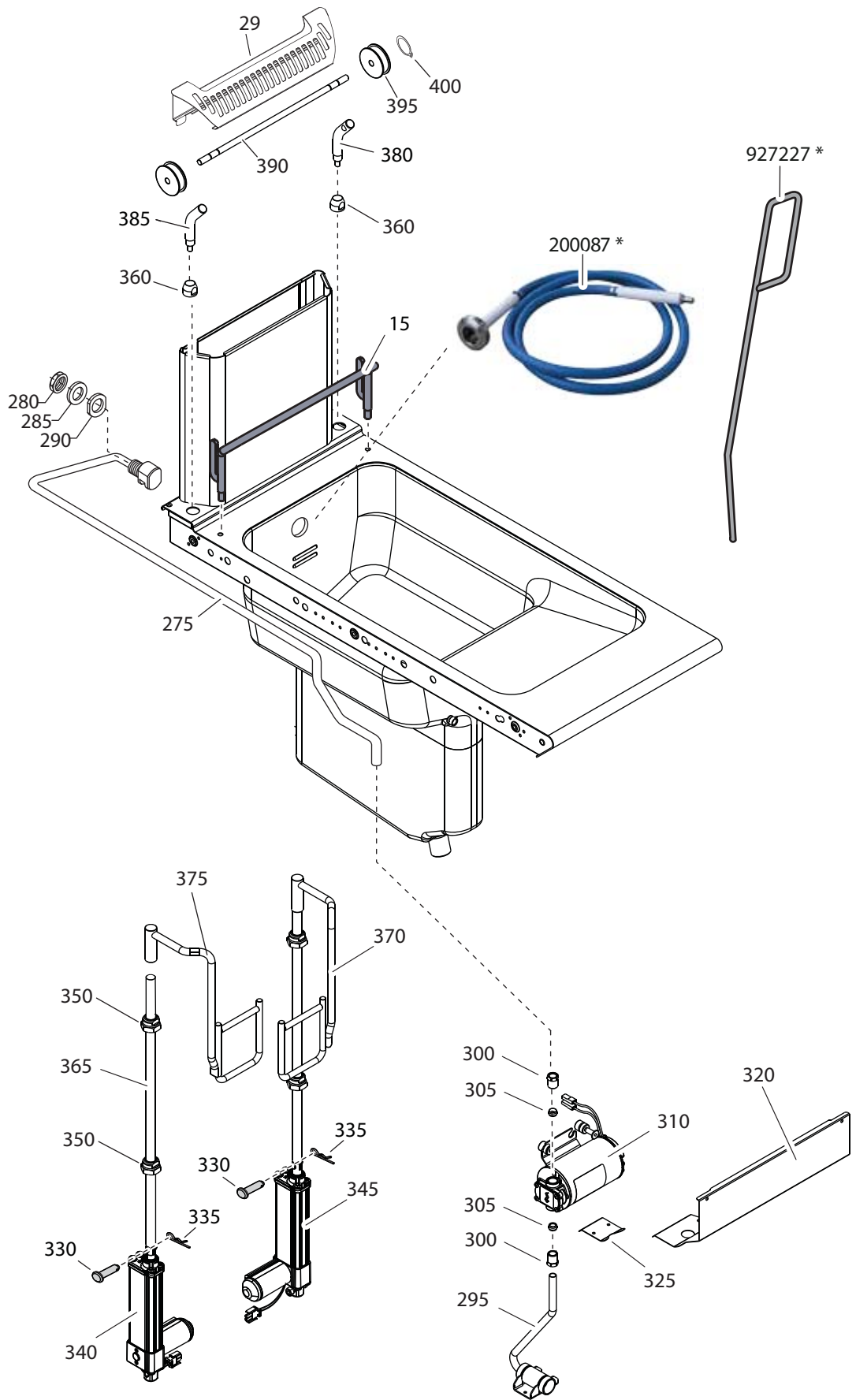
FRIGGITRICI ELETTRICHE ELETTRONICHE 23L E900XP
 ELECTRIC ELECTRONIC FRYERS 23L E900XP



FRIGGITRICI ELETTRICHE ELETTRONICHE 23L E900XP
ELECTRIC ELECTRONIC FRYERS 23L E900XP



FRIGGITRICI ELETTRICHE ELETTRONICHE 23L E900XP
 ELECTRIC ELECTRONIC FRYERS 23L E900XP



FRIGGITRICI GAS ELETTRONICHE 23L E900XP
ELECTRIC ELECTRONIC FRYERS 23L E900XP

| <i>Pos</i> | <i>Spare part Code</i> | <i>Factory Code</i> | <i>Descrizione</i> | <i>Description</i> | <i>Ref./Note</i> |
|------------|------------------------|---------------------|----------------------------------|------------------------------|--|
| 1 | 0C0204 | 835856901 | PIEDE | FOOT | |
| 5 | 0C7366 | 830825901 | CAVETTO SOSTEGNO CRUSCOTTO | SUPPORT CABLE, CONTROL PANEL | |
| 10 | 0C7307 | 543831700 | GUARNIZIONE - BIANCO | WHITE GASKET | SILIC.5X10MM |
| 11 | 0C2496 | 543821900 | GUARNIZIONE - GRIGIA | GRAY GASKET | SPONGE 6X2MM |
| 15 | 006583 | 516847804 | SUPPORTO CESTELLO | BASKET SUPPORT | A, B, E, F, I, J, M, N, Q, R, U, V |
| 20 | 0CB367 | 5038AGG01 | SCHIENALE | BACK PANEL | C,D,G,H,K,L,O,P,S,T, W,X |
| | | | SCHIENALE | BACK PANEL | A,B,E,F,I,J,M,N,Q,R,U, V, |
| 25 | * | 85089JC00 | ASS. FIANCO DX | RIGHT PANEL | A, B, C, D, E, F, G, H |
| | 0C8181 | 85089JD00 | ASS. FIANCO SX | LEFT PANEL | A, B, C, D, E, F, G, H |
| | 0CB368 | 85089JF00 | ASS. FIANCO DX | RIGHT PANEL | I, J, K, L, M, N, O, P, Q, R, S, T, U, V, W, X |
| | 0CB369 | 85089JG00 | ASS. FIANCO SX | LEFT PANEL | I, J, K, L, M, N, O, P, Q, R, S, T, U, V, W, X |
| 30 | 0CB370 | 87089RT02 | ASS.VASCA FRIGG.23L | COMPLETE WELL FRYER 23L | B, F |
| | 0CB371 | 87089RU01 | ASS.VASCA FRIGG.23L | COMPLETE WELL FRYER 23L | C, D, G, H |
| | 0CB372 | 87089RW00 | ASS.VASCA FRIGG.23L | COMPLETE WELL FRYER 23L | A, E |
| | 0CB373 | 87089RX00 | ASS.VASCA FRIGG.23L | COMPLETE WELL FRYER 23L | K, L, O, P, S, T, W, X |
| | 0CB374 | 87089RY00 | ASS.VASCA FRIGG.23L | COMPLETE WELL FRYER 23L | J, N, R, V |
| | 0CB375 | 87089RZ00 | ASS.VASCA FRIGG.23L | COMPLETE WELL FRYER 23L | I, M, Q, U |
| 35 | 0C0156 | 527850500 | PIASTRA FISSAGGIO FIANCHI | SIDE PANEL JOINTING PLATE | |
| 40 | 006688 | 835855000 | VALVOLA SCARICO | DRAIN VALVE | |
| 45 | * | 50589K700 | SUPPORTO LEVA SCARICO | SUPPORT, DRAIN EXTENSION | |
| 50 | 0C0608 | 516868800 | PROLUNGA LEVA SCARICO | DRAIN EXTENSION HANDLE | |
| 55 | 006877 | 508897004 | CONNESSIONE PROLUNGA SCARICO | CONNECTION, DRAIN EXTENSION | |
| 60 | 0C7220 | 87089CU03 | CRUSCOTTO MARCHIATO (no adesivo) | CONTROL PANEL BRANDED | WITHOUT STICKER: A, B, C, D, E, F, G, H |
| | 0C7631 | 87089M902 | CRUSCOTTO MARCHIATO (no adesivo) | CONTROL PANEL BRANDED | WITHOUT STICKER: I, J, K, L, M, N, O, P |
| | 0C7635 | 87089MG03 | CRUSCOTTO MARCHIATO (no adesivo) | CONTROL PANEL BRANDED | WITHOUT STICKER: Q, R, S, T, U, V, W, X |
| 65 | 0C8769 | 54887AH00 | MANIGLIA PORTA | DOOR HANDLE | ELUX: A, B, C, D, E, F, G, H ZAN: I, J, K, L, M, N, O, P OEM: Q, R, S, T, U, V, W, X |
| 66 | 0C8190 | 54887A802 | MANIGLIA PORTA | DOOR HANDLE | |
| | 0A5021 | 854864203 | MANIGLIA PORTA | DOOR HANDLE | |
| 70 | 0C0139 | 516860901 | CERNIERA SUPERIORE | HINGE, UPPER | |
| 75 | 0C0138 | 516860801 | CERNIERA INFERIORE | HINGE, LOWER | |
| 80 | 0C7157 | 50389G300 | PANNELLO PORTA DESTRA | RIGHT DOOR PANEL | A, B, C, D, E, F, G, H, I, J, K, L, M, N, O, P |
| 80 | * | 50389MB01 | PANNELLO PORTA DESTRA | RIGHT DOOR PANEL | Q, R, S, T, U, V, W, X |
| 85 | 0C7158 | 50489CQ00 | PANNELLO CONTROPORTA | INNER DOOR PANEL | |
| 90 | 0C0201 | 830898201 | MAGNETE PER PORTA | MAGNET, DOOR | |
| 95 | 006130 | 830884701 | GRIGLIA DI FONDO | WELL GRID | |
| 100 | 0CB341 | 87589G400 | BACINELLA OLIO (CON POMPA) | BASIN FOR OIL (WITH PUMP) | B, C, D, F, G, H, I, J, K, L, N, O, P, R, T, U, V, W, X |
| | 0CB342 | 87589FL01 | BACINELLA OLIO (SENZA POMPA) | BASIN FOR OIL (WITHOUT PUMP) | A, E, I, M, Q, U |
| 101 | 0CB343 | 85589HC01 | FILTRO OLIO (CASSETTINO) | OIL FILTER (SMALL TRAY) | |
| 105 | 0C2183 | 543826400 | OR (INNESTO PER POMPA) | O-RING (PUMP JOINT) | 3PCS NEEDED B, C, D, F, G, H, I, J, K, L, N, O, P, R, T, U, V, W, X |

FRIGGITRICI GAS ELETTRONICHE 23L E900XP
GAS ELECTRONIC FRYERS 23L E900XP

| | | | | | |
|------------|---------------|------------------|-------------------------------|-------------------------------|--|
| 110 | OCB344 | 87589F201 | ASSIEME CARRELLO BACINELLA | COMPLETE BASIN TROLLEY | |
| 111 | OCB346 | 51489FL01 | PRESSORE | FILTER WEIGHT | 111+113 = KIT 200084 |
| 112 | * | 1428000 | FILTRO CARTA | PAPER FILTER | KIT 200085 (ONLY PAPER, 10PCS IN KIT) |
| 113 | OCB347 | 50489WY00 | SUPPORTO FILTRO CARTA | SUPPORT, PAPER FILTER | 111+113 = KIT 200084 |
| 115 | OC1014 | 529889901 | COPERCHIO FRIGG. | LID | A, C, D, E, G, H, I, K, L, M, O, P, Q, S, T, U, W, X |
| | OC0613 | 529890101 | COPERCHIO FRIGG. | LID | B, F, J, N, R, V |
| 120 | OC0614 | 511819000 | MANIGLIA COPERCHIO | HANDLE, LID | |
| 125 | 006133 | 850894500 | CESTELLO | BASKET | |
| 130 | OC7161 | 50489JL00 | GRIGLIA CAMINO | GRID, CHIMNEY | |
| 135 | OC0137 | 516860702 | PIASTRA GIUNZIONE APPARECC. | JOINTING REAR PLATE | |
| 140 | OC7163 | 85589CT03 | ASS.PORTINA +MANIGLIA | COMPLETE DOOR WITH HANDLE | A, B, C, D, E, F, G, H |
| | OC7165 | 85589CU05 | ASS.PORTINA+MANIGLIA | COMPLETE DOOR WITH HANDLE | I, J, K, L, M, N, O, P |
| | OC7627 | 85589CV02 | ASS.PORTINA+MANIGLIA | COMPLETE DOOR WITH HANDLE | Q, R, S, T, U, V, W, X |
| 150 | OCB348 | 54887BV01 | MEMBRANA ADESIVA | USER BOARD STICKER | B, F |
| | OCB349 | 54887BW01 | MEMBRANA ADESIVA | USER BOARD STICKER | C, G |
| | OCB350 | 54887C001 | MEMBRANA ADESIVA | USER BOARD STICKER | K, O |
| | OCB351 | 54887C101 | MEMBRANA ADESIVA | USER BOARD STICKER | J, N |
| | OCB352 | 54887C201 | MEMBRANA ADESIVA | USER BOARD STICKER | I, M |
| | OCB353 | 54887C600 | MEMBRANA ADESIVA | USER BOARD STICKER | Q, U |
| | OCB354 | 54887C700 | MEMBRANA ADESIVA | USER BOARD STICKER | R, V |
| | OCB355 | 54887C800 | MEMBRANA ADESIVA | USER BOARD STICKER | S, W |
| 155 | 002670 | 548836902 | PROLUNGA PULSANTE | EXTENSION, SWITCH | |
| 160 | OC1812 | 516865600 | DISTANZIALE TRA SCHEDE | SPACER BETWEEN BOARDS | |
| 165 | OCB345 | 675860V01 | SCHEDA MADRE (PREC10) | MOTHER BOARD | |
| 170 | OC6364 | 675860400 | SCHEDA INTERFACCIA | USER INTERFACE | |
| 175 | OC6380 | 675851703 | SCHEDA ESPANSIONE RELE' | RELE' BOARD | C,D,G,H,K,L,O,P,S,T, W,X |
| 176 | OC6382 | 699802800 | CAVO COMUNICAZIONE SCHEDE | FLAT CABLE | C,D,G,H,K,L,O,P,S,T, W,X |
| 180 | OC1813 | 546813800 | RONDELLA SCHEDA | WASHER, BOARD | 10PCS PER PNC |
| 185 | 006609 | 675837201 | SONDA NTC | NTC PROBE | |
| 186 | 059295 | 514874500 | RACCORDO DADO | CONNECTION NUT | |
| 187 | 059293 | 543815000 | GUARNIZIONE OR Sonda OLIO | OR , OIL PROBE | |
| 190 | * | 50489V901 | PROTEZIONE SCHEDA | PROTECTION, MAIN BOARD | |
| 195 | 050180 | 246520500 | PASSACAVO DIA.23 | CABLE LEAD DIA.23 | |
| 200 | OC3967 | 624810200 | VENTILATORE | MOTORVENTILATOR | |
| 205 | * | 831840800 | GRIGLIA METALLICA VENT. | GRID, MOTORVENTILATOR | |
| 210 | 058613 | A05714000 | MORSETTIERA | TERMINAL BOARD | |
| 215 | * | 806824600 | PROTEZIONE CAVO ALIMENTAZIONE | CABLE PROTECTION PIPE | C, D, G, H, K, L, O, P, S, T, W, X |
| 220 | OCB239 | 646817N00 | TERMOSTATO DI SICUREZZA | SAFETY THERMOSTAT | |
| 225 | 049303 | 694605400 | FILTRO TRIFASE | FILTER | |
| 226 | OCB477 | 694400U00 | FILTRO RFI MONOFASE | SINGLE FASE R.I.FILTER | |
| 229 | 006879 | 648807400 | CONTATTORE | CONTACTOR | 18A |
| 230 | 007080 | 648807700 | CONTATTORE | CONTACTOR | 30A |
| 235 | * | 652400A00 | PORTAFUSIBILE | FUSE CARRIER | 5X20MM |
| | * | 652400B00 | PORTAFUSIBILE | FUSE CARRIER | 5X20MM |
| 236 | OCB376 | 655800401 | BUZZER 12V | BUZZER 12V | |
| 240 | OC1480 | 652803300 | FUSIBILE 6,3A | 6,3A FUSE | |
| 245 | 006159 | 624805601 | TRASFORMATORE | TRANSFORMER | B, C, D, F, G, H, J, K, L, N, O, P, R, S, T, V, W, X |
| 249 | | 50489VA00 | SCATOLA IMPIANTO EL | EL BOX | |

FRIGGITRICI GAS ELETTRONICHE 23L E900XP
GAS ELECTRONIC FRYERS 23L E900XP

| | | | | | |
|-----|--------|-----------|-------------------------------|-----------------------------|--|
| 250 | 006147 | 675830800 | PONTE RADDRIZZATORE | DIODE BRIDGE | B, C, D, F, G, H, J, K, L, N, O, P, R, S, T, V, W, X |
| 255 | 006610 | 648806900 | RELE' SOLLEVATORI | RELAY LIFTERS | B, C, D, F, G, H, J, K, L, N, O, P, R, S, T, V, W, X |
| 260 | * | 50489V000 | PANNELLO FRONTALE "V" | FRONTAL PANEL "V" | A, B, C, D, I, J, K, L, Q, R, S, T E, F, G, H, M, N, O, P, U, V, W, X |
| 265 | 006158 | 617821805 | RESISTENZA 9Kw 400V | HEATING ELEMENT 9kW 400V | |
| | OCB356 | 61783AK00 | RESISTENZA 9kW 440V | HEATING ELEMENT 9kW 440V | |
| 266 | * | 50589KR00 | SUPPORTO FASCIA, RESISTENZA | STRAPPER H.ELEMENT | |
| 270 | * | 50489V100 | SUPPORTO SUPERIORE RESISTENZE | UPPER SUPPORT, HEAT.ELEMENT | |
| 275 | OCB357 | 83089M601 | CONDUTTURA ASPIRAZIONE OLIO | OIL SUCTION PIPE | B, C, D, F, G, H, J, K, L, N, O, P, R, S, T, V, W, X |
| 280 | OC1684 | 516849000 | DADO | NUT | B, C, D, F, G, H, J, K, L, N, O, P, R, S, T, V, W, X |
| 285 | OC1686 | 508891200 | RONDELLA | WASHER | B, C, D, F, G, H, J, K, L, N, O, P, R, S, T, V, W, X |
| 290 | OC3659 | 516865900 | RONDELLA | WASHER | B, C, D, F, G, H, J, K, L, N, O, P, R, S, T, V, W, X |
| 295 | OCB358 | 80589DL00 | CONDUTTURA CARICO OLIO | INLET PIPE, OIL | B, C, D, F, G, H, J, K, L, N, O, P, R, S, T, V, W, X |
| 300 | 006964 | 514879601 | RACCORDO | NIPPLE | B, C, D, F, G, H, J, K, L, N, O, P, R, S, T, V, W, X |
| 305 | OCB359 | 516874402 | OGIVA | BICONICAL RING | B, C, D, F, G, H, J, K, L, N, O, P, R, S, T, V, W, X |
| 310 | 006146 | 686800003 | POMPA CARICO OLIO | PUMP, OIL CIRCULATION | B, C, D, F, G, H, J, K, L, N, O, P, R, S, T, V, W, X |
| 320 | * | 50489VB01 | CHIUSURA POMPA | PANEL, PUMP | |
| 325 | * | 50589JY00 | PROTEZIONE CARICO | TUBE PROTECTION | B, C, D, F, G, H, J, K, L, N, O, P, R, S, T, V, W, X |
| 330 | OCB363 | 219812K01 | PERNO CON TESTA Ø 5,9 | PIN Ø 5,9 | C, D, G, H, K, L, O, P, S, T, W, X |
| 335 | OCB364 | 219812J00 | COPIGLIA DI SICUREZZA 23mm | COTTER PIN 23mm | C, D, G, H, K, L, O, P, S, T, W, X |
| 340 | OCB241 | 611809F00 | ATTUATORE PER SOLLEVAMENTO SX | LEFT MOTOR ELEVATOR | C, D, G, H, K, L, O, P, S, T, W, X |
| 345 | OCB242 | 611809G00 | ATTUATORE PER SOLLEVAMENTO DX | RIGHT MOTOR ELEVATOR | C, D, G, H, K, L, O, P, S, T, W, X |
| 350 | OCB387 | 51489FC00 | BOCCOLA PER SOLLEVATORI | BUSH, LIFT ROD | C, D, G, H, K, L, O, P, S, T, W, X |
| 360 | OC5086 | 518817300 | BOCCOLA FISS.SUPPORTI | BUSH, LIFT ROD | C, D, G, H, K, L, O, P, S, T, W, X |
| 365 | OCB388 | 51489FB01 | ASTA SOLLEVAMENTO | ROD, LIFT BASKET | C, D, G, H, K, L, O, P, S, T, W, X |
| 370 | OC7198 | 83089FF01 | SUPPORTO DX CESTELLI | RIGHT SUPPORT BASKET | C, D, G, H, K, L, O, P, S, T, W, X |
| 375 | OC7199 | 83089FG01 | SUPPORTO SX CESTELLI | LEFT SUPPORT BASKET | C, D, G, H, K, L, O, P, S, T, W, X |
| 380 | OCB365 | 51689AJ01 | SUPPORTO DESTRO | RIGHT SUPPORT | C, D, G, H, K, L, O, P, S, T, W, X |
| 385 | OCB366 | 51689AH01 | SUPPORTO SINISTRO | LEFT SUPPORT | C, D, G, H, K, L, O, P, S, T, W, X |
| 390 | OC1027 | 516866500 | BARRA SUPPORTO CESTELLI | ROD, BASKET SUPPORT | C, D, G, H, K, L, O, P, S, T, W, X |
| 395 | OC1028 | 516849400 | RUOTA GUIDA ASTA SOLL. | WHEEL, ROD LIFTER | C, D, G, H, K, L, O, P, S, T, W, X |
| 400 | 067004 | 219001015 | ANELLO SEEGER | SEEGER RING | C, D, G, H, K, L, O, P, S, T, W, X |
| * | | 921023 | FILTRO SEDIMENTI FONDO | SEDIMENT FILTER | |
| * | | 960645 | DEFLETTORI FARINA | DEFLECTORS, FLOUR | |
| * | OCB466 | 200087 | TUBO POMPA SCARICO OLIO | PIPE DRAIN PUMP OIL | |
| * | | 927227 | TUBO OTTURAZIONI | UNCLOGGING ROD | |