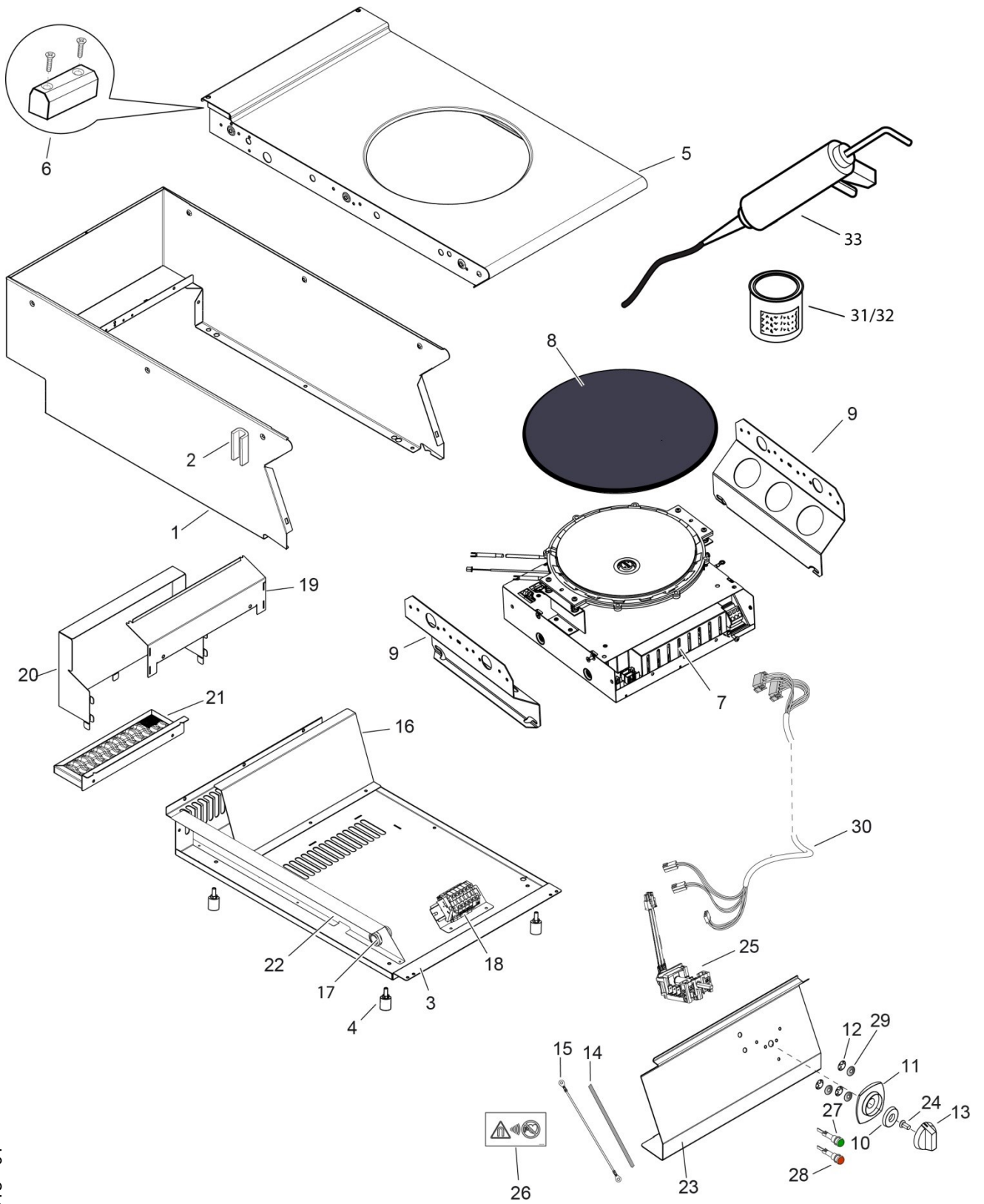


PNC	Model	Ref	Brand	Notes
371282	E7INEDW00	A	ELX	700 MM
391353	E9INEDW00P	B	ELX	900 MM
372282	Z7INEDW00	C	ZAN	700 MM
392353	Z9INEDW00	D	ZAN	900 MM

Pag	Index	Indice	Note
2	General componets	Componenti struttura	
3	Spare parts list	Lista ricambi	



Pos	Factory code	Spare part code	Descrizione	Description	Ref. /Notes
1	085089F701	0C8544	RIVESTIMENTO LATERALE	EXTERNAL PANEL	A
	085089DR02	0CA013	RIVESTIMENTO LATERALE	EXTERNAL PANEL	B
	085089FA01	0C7268	RIVESTIMENTO LATERALE	EXTERNAL PANEL	C
	085089DU02	*	RIVESTIMENTO LATERALE	EXTERNAL PANEL	D
2	0527850500	0C0156	PIASTRA FISSAGGIO FIANCHI	SIDE PANELS JOINTING	
3	050389Q600	*	FONDO PIANO 700	UNDER PANEL 700	A,C
	05038A7H00	*	FONDO PIANO 900	UNDER PANEL 900	B,D
4	0315252601	026806	PIEDINO	FOOT	
5	087089BC00	0C7217	ASS RIPIANO WOK 700	WOK, TOP 700	A
	087089P000	*	ASS RIPIANO WOK 900	WOK, TOP 900	B
	087089BJ00	0C7657	ASS RIPIANO WOK 700	WOK, TOP 700	C
	087089PB00	0C9137	ASS RIPIANO WOK 900	WOK, TOP 900	D
6	0516860700	0C0137	PIASTRINA POSTERIORE	JOINTING REAR PLATE	
7	083089NR00	0CB338	INVERTER, WOK	WOK, INVERTER	Complete (with coil)
8	0574820900	0CB314	CUVETTE VETRO	GLASS CUVETTE	
9	050689GJ00	*	SUPPORTO INVERTER	INVERTER SUPPORT	
10	0543821000	053816	GUARNIZIONE MANOPOLA	GASKET, KNOB	
11	0548877C00	0C7176	GHIERA INDUZIONE	KNOB RING INDUCTION	A,B
	0548879K00	0C7639	GHIERA INDUZIONE	KNOB RING INDUCTION	C,D
12	0218912211	069567	MOLLETTA FISS. GHIERA	SPRING, KNOB RING	
13	0511850G01	0C6670	MANOPOLA	KNOB	A,B
	0548878201	0C7232	MANOPOLA	KNOB	C,D
14	0543821900	0C2496	GUARNIZ.SPUGNA GRIGIA	GRAY SPONGE GASKET	
15	0830825901	0C7366	CAVETTO FERMO CRUSCOTTO	CONTROL PANEL STOPPER	
16	050489GD00	*	PROTEZIONE ACQUA	WATER PROTECTION	
17	0544802300	0C0068	PRESSACAVO	CABLE RETAINER	
18	0639813900	0CB058	MORSETTIERA	MAIN TERMINAL	
19	050489XA00	*	ANTERIORE CONDOTTO	FRONT DUCT	
20	050489X900	*	CONDOTTO	DUCT	
21	085589A600	0C7192	FILTRO ARIA INDUZIONE	AIR FILTER, INDUCTION	
22	050489XD00	*	GUIDA CAVO	CABLE GUIDE	A,C
	050489MH01	*	GUIDA CAVO	CABLE GUIDE	B,D
23	085589AS00	0C7212	CRUSCOTTO	CONTROL PANEL	A,B
	085089GK00	0C7649	CRUSCOTTO	CONTROL PANEL	C
	085589FP00	0C9136	CRUSCOTTO	CONTROL PANEL	D
24	0548877V00	0C7345	ADATTATORE MANOPOLA	KNOB ADAPTER	A,B
25	0641805G00	0CA934	COMMUTATORE	SWITCH	
26	0598849200	0C0024	TARGHETTA PACE/MAKER	PACE/MAKER STICKER	
27	0660808400	0C9697	LAMPADA VERDE	GREEN LAMP	LED 12V
28	0660808500	0C9698	LAMPADA ROSSA	RED LAMP	LED 12V
29	0541813800	0C6171	RONDELLA IN SILICONE	SILICONE WASHER	
30	0657800900	0CA995	CABL. POT./INVERTER/LED	CABLE POT./INVERTER/LED	
31	151098052	088314	DETERGENTE REINIGER	DETERGENT REINIGER	Silicon cleaner
32	147098057	088313	PRIMER 1015 PACTAN	PRIMER 1015 PACTAN	Surface preparation
33	147098058	0C0074	SILICONE PACTAN NERO	BLACK SILICONE PACTAN	Special for glass