

FRYTOP GAS 900XP GAS FRYTOP 900XP

PNC	Model	Ref	Brand	Notes
391354	E9IILAAOMCA	a	EPR	GAS FRYTOP RIBB SLOPED 400 MM-CHRB
391401	E9IINAAOMEA	b	EPR	GAS FRYTOP SMOOTH HORIZ.800MM-CHRB
391402	E9IINAAOMCA	c	EPR	GAS FRYTOP SMOOTH HORIZ. 400MM-CHRB
391403	E9IIMAAOMEA	d	EPR	GAS FRYTOP SMOOTH+RIBB.SL.800 MM-CHRB
391588	E9IINTAOMCI	c	EPR	GAS FRYTOP SMOOTH HORIZ. 400MM-CHRB - QMARK
391589	E9IILTAOMCI	a	EPR	GAS FRYTOP RIBB SLOPED 400 MM-CHRB - QMARK
391590	E9IINTAOMEI	b	EPR	GAS FRY TOP SMOOTH HORIZONTAL 800MM-BRUSHED CHROME - QMARK
391591	E9IIMTAOMEI	d	EPR	GAS FRY TOP SMOOTH+RIBBED SLOPED PLATE.800MM-BRUSHED CHROME - QMARK
392354	Z9IILAAOMCA	e	ZAN	GAS FRYTOP RIBB SLOPED 400 MM-CHRB
392401	Z9IINAAOMEA	f	ZAN	GAS FRYTOP SMOOTH HORIZ. 800MM-CHRB
392402	Z9IINAAOMCA	g	ZAN	GAS FRYTOP SMOOTH HORIZ. 400MM-CHRB
392403	Z9IIMAAOMEA	h	ZAN	GAS FRYTOP SMOOTH+RIBB.SL.800 MM-CHRB
392603	Z9IIMTAOMEI	h	ZAN	GAS FRY TOP SMOOTH+RIBBED SLOPED PLATE 800MM-BRUSHED CHROME - QMARK
392630	Z9IINTAOMCI	g	ZAN	GAS FRYTOP SMOOTH HORIZ. 400MM-CHRB - QMARK
392631	Z9IILTAOMCI	e	ZAN	GAS FRYTOP RIBB SLOPED 400 MM-CHRB - QMARK
392632	Z9IINTAOMEI	f	ZAN	GAS FRY TOP SMOOTH HORIZONTAL PLATE 800MM-BRUSHED CHROME - QMARK
393354	N9IILAAOMCA	j	OEM	GAS FRYTOP RIBB SLOPED 400 MM-CHRB
393401	N9IINAAOMEA	k	OEM	GAS FRYTOP SMOOTH HORIZ. 800MM-CHRB
393402	N9IINAAOMCA	l	OEM	GAS FRYTOP SMOOTH HORIZ. 400MM-CHRB
393403	N9IIMAAOMEA	m	OEM	GAS FRYTOP SMOOTH+RIBB.SL.800 MM-CHRB

Index

General components / Componenti struttura
Gas components / Componenti gas
Nozzles / Ugelli
Spare parts list / Lista ricambi

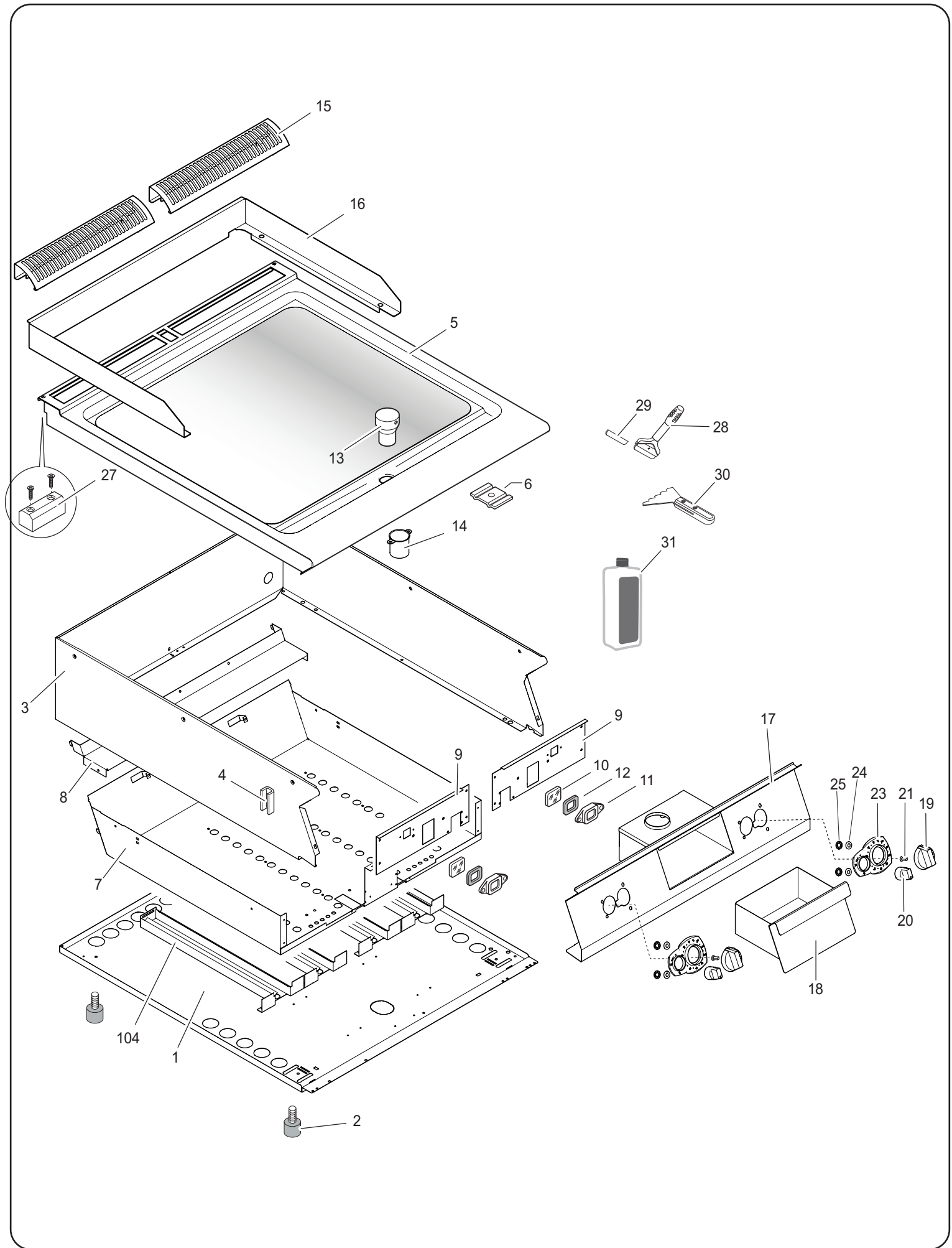
Page

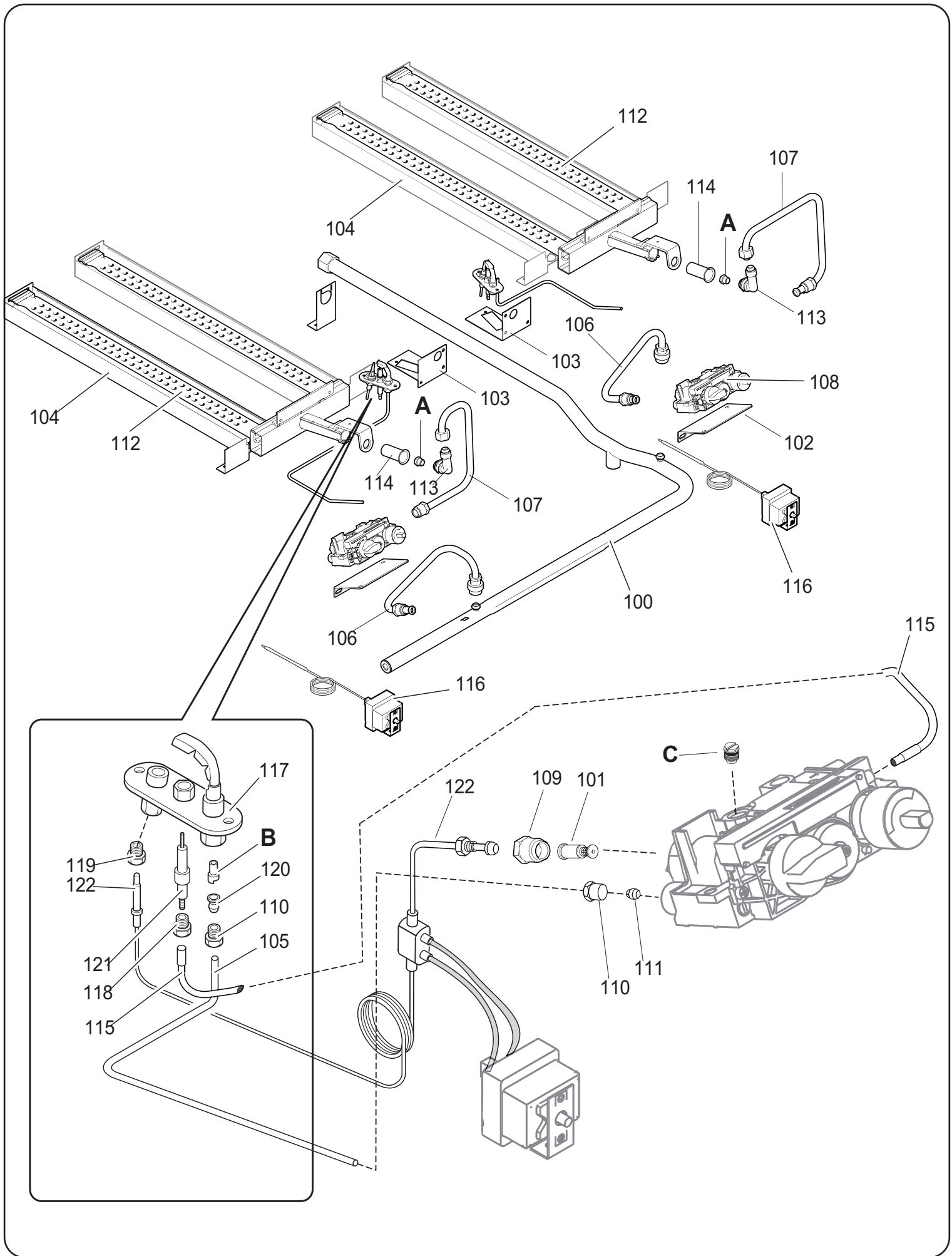
2
3
4
5-7

Bold=last change / Grassetto =ultima modifica

Rev. 1

From Ser. Nr. 9491 Up to Ser. Nr.	Ed. 2020-01 Updated 2024-06	Page: 1	Doc No:59785WB00
--------------------------------------	--------------------------------	---------	-------------------------





A - Ugello bruciatore / Burner nozzle			
Spare Part Code	Ref.	Notes	
0A2089	ø1.60	3+3B/P	G30 30mbar
059384	ø1.50	3B/P	G30 37mbar
0A2082	ø1.40	3B/P	G30 50mbar
0A2104	ø2.40	2H/2E+	G20 20mbar
0A2475	ø2.25	2H	G20 25mbar
059382	ø2.50	2L	G25 25mbar
0A2104	ø2.40	2K	G25.3 25mbar
0A2174	ø2.65	2ELL	G25 20mbar
059382	ø2.50	2S	G25,1 25mbar
0A2106	ø5.00	No CE	G110 8mbar

B - Ugello pilota / Pilot nozzle			
Spare Part Code	Ref.	Notes	
059216	n°14	3+3B/P	G30 30mbar
059216	n°14	3B/P	G30 37mbar
059216	n°14	3B/P	G30 50mbar
059215	n°27	2H/2E+	G20 20mbar
059215	n°27	2H	G20 25mbar
059215	n°27	2L	G25 25mbar
059215	n°27	2K	G25.3 25mbar
059215	n°27	2ELL	G25 20mbar
059215	n°27	2S	G25,1 25mbar
059356	n°50	No CE	G110 8mbar

C - Vite di minimo / Min screw			
Spare Part Code	Ref.	Notes	
006652	ø1.25	3+3B/P	G30 30mbar
006651	ø1.10	3B/P	G30 37mbar
006651	ø1.10	3B/P	G30 50mbar
006653	ø1.90	2H/2E+	G20 20mbar
0C4156	ø1.75	2H	G20 25mbar
006653	ø1.90	2L	G25 25mbar
006653	ø1.90	2K	G25.3 25mbar
006654	ø2.00	2ELL	G25 20mbar
0C4156	ø1.75	2S	G25,1 25mbar
-	ADJ	No CE	G110 8mbar

FRYTOP GAS 900XP
GAS FRYTOP 900XP

Pos	Factory Code	Spare Code	Descrizione	Description	Ref./Notes
			PAGINE 2	PAGES 2	
1	530800006	0C1286	FONDO 1/2 M TOP	BOTTOM PANEL	400 mm
1	530800106	0C1287	FONDO 1 M TOP	BOTTOM PANEL	800 mm
2	315252601	026806	PIEDINO	FOOT	
3	85089DR02	0CA013	RIVESTIMENTO TOP	EXTERNAL PANEL	ELX 400 mm - a,c
3	85089DU02	*	RIVESTIMENTO TOP	EXTERNAL PANEL	ZAN, OEM 400 mm - e,g,j,l
3	85089DS02	0C9625	RIVESTIMENTO TOP	EXTERNAL PANEL	ELX 800 mm - b,d
3	85089DV02	0C9937	RIVESTIMENTO TOP	EXTERNAL PANEL	ZAN, OEM 800 mm - f,h,k,m
4	527850500	0C0156	SQUADRA FISS.FIANCHI	SIDE PANEL JOINTING PLATE	
5	87589H200	0CBCP5	PIASTRA-RIPIANO ORIZZONTALE LISCIO	HORIZONTAL SMOOTH PLATE	ELX 400 mm - c
5	87589H400	0CBASJ	PIASTRA-RIPIANO ORIZZONTALE LISCIO	HORIZONTAL SMOOTH PLATE	ELX 800 mm - b
5	87589H600	*	PIASTRA-RIPIANO INCLINATO RIGATO	INCLINED RIBBED PLATE	ELX 400 mm - a
5	87589H800	0CB789	PIASTRA-RIPIANO INCLINATO 1/3 RIGATO	INCLINED 1/3 RIBBED PLATE	ELX 800 mm - d
5	87589HB00	*	PIASTRA-RIPIANO ORIZZONTALE LISCIO	HORIZONTAL SMOOTH PLATE	ZAN, OEM 400 mm - g,l
5	87589HG01	0CBB18	PIASTRA-RIPIANO ORIZZONTALE LISCIO	HORIZONTAL SMOOTH PLATE	ZAN, OEM 800 mm - f,k
5	87589HJ00	*	PIASTRA-RIPIANO INCLINATO RIGATO	INCLINED RIBBED PLATE	ZAN, OEM 400 mm - e,j
5	87589HL00	*	PIASTRA-RIPIANO INCLINATO 1/3 RIGATO	INCLINED 1/3 RIBBED PLATE	ZAN, OEM 800 mm - h,m
6	206250401	051383	PIASTRINA FISSAGGIO CAPILLARE	PLATE, CAPILLARY FIXING	
7	530887904	0C9887	CAMERA COMBUSTIONE	COMBUSTION CHAMBER	400 mm
7	538860604	0CA380	CAMERA COMBUSTIONE	COMBUSTION CHAMBER	800 mm
8	528885301	0CA993	ANTERIORE CAMINO	FRONT PANEL CHIMNEY	400 mm
8	538860701	0CA381	ANTERIORE CAMINO	FRONT PANEL CHIMNEY	800 mm
9	528885201	0CA994	PARETE FRONTALE CAM.COMB.	FRONT PANEL COMB.CHAMBER	400 mm
9	528884400	0CA382	PARETE FRONTALE SX C.COMB.	LEFT FRONT PANEL COMB.C.	800 mm
9	528885100	0CA383	PARETE FRONTALE DX CAM.COMB.	RIGHT FRONT PANEL COMB.C.	800 mm
10	275290025	057400	VETRINO SPIA	INSPECTION GLASS BURNE	
11	206260400	057382	CORNICE PER VETRINO SPIA	FRAME FOR GLASS	
12	282217401	057402	GUARNIZIONE PER VETRINO SPIA	GASKET, INSPECTION GLASS	
13	511833100	0C6384	TAPPO	STOPPER	HORIZONTAL PLATE - b,c,f,g,k,l
14	806875201	0C6254	TUBO SCARICO GRASSI	DRAIN PIPE	
15	50389LP00	0C7333	GRIGLIA CAMINO	CHIMNEY GRID	
16	530899801	0C6385	PARASPRUZZI	SPLASHBACK	800 mm
16	530899901	0C6386	PARASPRUZZI	SPLASHBACK	400 mm
17	85589A804	0C7211	CRUSCOTTO	CONTROL PANEL	ELX 400 mm - a,c
17	87089DW02	0C7436	CRUSCOTTO	CONTROL PANEL	ZAN 400 mm - e,g
17	87089HA04	0C7460	CRUSCOTTO	CONTROL PANEL	OEM 400 mm - j,l
17	85589A905	0C7431	CRUSCOTTO	CONTROL PANEL	ELX 800 mm - b,d
17	87089DZ03	0C7439	CRUSCOTTO	CONTROL PANEL	ZAN 800 mm - f,h
17	87089HB04	0C7461	CRUSCOTTO	CONTROL PANEL	OEM 800 mm - k,m
18	85089CV01	0C7205	CASSETTO	DRAWER, FRYTOP	400 mm
18	85089CX01	0C7303	CASSETTO	DRAWER, FRYTOP	800 mm
19	511851100	0C8715	MANOPOLA	KNOB FOR THERMOSTAT	ELX
19	548877Z02	0C7179	MANOPOLA	KNOB FOR THERMOSTAT	ZAN
19	548872700	0C5252	MANOPOLA	KNOB FOR THERMOSTAT	OEM
20	548863303	0C2021	MANOPOLA ACCENDITORE	KNOB FOR IGNITER	ELX
20	548878304	0C7181	MANOPOLA ACCENDITORE	KNOB FOR IGNITER	ZAN
20	548856603	0C0190	MANOPOLA ACCENDITORE	KNOB FOR IGNITER	OEM
21	54887AP00	0C8714	ADATTATORE MANOPOLA	KNOB ADAPTER	ELX

FRYTOP GAS 900XP
GAS FRYTOP 900XP

Pos	Factory Code	Spare Code	Descrizione	Description	Ref./Notes
23	548876Q01	0C7329	GHIERA MERTIK	KNOB RING FOR GAS VALVE	ELX
23	548879900	0C7429	GHIERA MERTIK	KNOB RING FOR GAS VALVE	ZAN, OEM
24	541813800	0C6171	RONDELLA IN SILICONE	SILICONE GASKET	
25	218912211	069567	MOLLETTA PER GHIERA	SPRING FOR KNOB RING	
27	516860702	0C0137	PIASTRINA POSTERIORE RIPIANO	JOINTING REAR PLATE	
28	805848204	055995	RASCHIETTO PER PIASTRA LISCIA	SCRAPER FOR SMOOTH PLATE	
29	506887401	056347	LAMA PER RASCHIETTO	BLADE FOR SCRAPER	
30	830851300	056940	RASCHIETTO PER PIASTRA RIGATA	SCRAPER FOR RIBBED PLATE	
31	*	0S2292	DETERGENTE C41, RESIDUI BRUCIATI	DETERGENT C41, FOR BURNT SCRAPPINGS	6 BOTTLES PER PACK
31	*	0S1841	DETERGENTE C40, RESIDUI CARBONIOSI	DETERGENT C40, FOR CARBONIZED SCRAPPINGS	6 BOTTLES PER PACK
			PAGINA 3	PAGE 3	
100	806877803	0C9778	RIBALTA	MANIFOLD	400 mm - Up to 2023/39 To be ordered with its relevant pipe pos. 106 See T.B. PDX2023-03
100	806877804	0CBCGF	RIBALTA	MANIFOLD	400 mm - From 2023/40 To be ordered with its relevant pipe pos. 106 See T.B. PDX2023-03
100	806877903	0C6258	RIBALTA	MANIFOLD	800 mm - Up to 2023/39 To be ordered with its relevant pipe pos. 106 See T.B. PDX2023-03
100	806877904	0CBCET	RIBALTA	MANIFOLD	800 mm - From 2023/40 To be ordered with its relevant pipe pos. 106 See T.B. PDX2023-03
101	*	0G8684	ELETTRICO MAGNETE VALVOLA GAS	ELECT.COIL MAGNETIC / VALVE	
102	528830703	0C7373	SUPPORTO VALVOLA	VALVE SUPPORT	
103	528815100	0C1546	SUPPORTO SX PILOTA	LEFT SUPPORT FOR PILOT	800 mm
103	528815000	0C1545	SUPPORTO DX PILOTA	RIGHT SUPPORT FOR PILOT	
104	528884501	*	CONVOGLIATORE ARIA	CONVEYOR, BURNER	
105	517878801	0C0598	CONDUTTURA PILOTA 400	PILOT PIPE 400	400 mm 800 mm DX 800 mm with oven DX
105	513808300	0C6252	CONDUTTURA SX BRUC. PILOTA	LEFT PILOT PIPE	800 mm SX
106	80589CH00	0CA090	CONDUTTURA RIBALTA-VALVOLA	PIPE MANIFOLD- GAS VALVE	400 mm - Up to 2023/39 To be ordered with its relevant manifold pos. 100 See T.B. PDX2023-03
106	80589CH01	0CBCGP	CONDUTTURA RIBALTA-VALVOLA	PIPE MANIFOLD- GAS VALVE	400 mm - From 2023/40 To be ordered with its relevant manifold pos. 100 See T.B. PDX2023-03
106	80589CF00	0CA086	CONDUTTURA SX RIBALTA-VALVOLA	LEFT PIPE MANIFOLD- GAS VALVE	800 mm - Up to 2023/39 To be ordered with its relevant manifold pos. 100 See T.B. PDX2023-03

FRYTOP GAS 900XP
GAS FRYTOP 900XP

Pos	Factory Code	Spare Code	Descrizione	Description	Ref./Notes
106	80589CF01	0CBCGO	CONDUTTURA SX RIBALTA-VALVOLA	LEFT PIPE MANIFOLD- GAS VALVE	800 mm - From 2023/40 To be ordered with its relevant manifold pos. 100 See T.B. PDX2023-03
106	80589CC00	0CA087	CONDUTTURA DX RIBALTA-VALVOLA	RIGHT PIPE MANIFOLD- GAS VALVE	800 mm - Up to 2023/39 To be ordered with its relevant manifold pos. 100 See T.B. PDX2023-03
106	80589CC01	0CBCGN	CONDUTTURA DX RIBALTA-VALVOLA	RIGHT PIPE MANIFOLD- GAS VALVE	800 mm - From 2023/40 To be ordered with its relevant manifold pos. 100 See T.B. PDX2023-03
107	80589CJ01	0CA091	CONDUTTURA VALVOLA-BRUCIATORE	PIPE GAS VALVE BURNER	400 mm 800 mm with oven DX
107	80589CG01	0CA089	CONDUTTURA SX VALVOLA-BRUCIATORE	LEFT PIPE GAS VALVE BURNER	800 mm SX
107	80589CD01	0CA088	CONDUTTURA DX VALVOLA-BRUCIATORE	RIGHT PIPE GAS VALVE BURNER	800 mm DX
108	835853005	0C5246	VALVOLA GAS	GAS VALVE	
109	214191001	026783	RACCORDO VALVOLA	VALVE CONNECTION	
110	214164400	052125	RACCORDO M10X1 FORO DA 4	CONNECTION	
111	215199700	052127	BICONO SPEC.DA 4	BICONICAL RING DIAM.4	
112	835853700	006650	BRUCIATORE	BURNER	
113	511805801	059375	PORTAUGELLO	NOZZLE HOLDER	
114	215088100	052062	BOCCOLA REGOL.ARIA	BUSH, BURNER	
115	0636800600	0C7190	CAVO ACCENDITORE, VALVOLA GAS-ELETTRODO	IGNITION CABLE, GAS VALVE-ELECTRODE	1550MM /4Ø ON ELECTRODE
116	646808102	004269	TERMOSTATO DI SICUREZZA	SAFETY THERMOSTAT	
117	830884101	0C7102	PILOTA	PILOT	
118	214164101	057960	RACCORDO FISSAGGIO CANDELA	NIPPLE, ELECTRODE	
119	214162000	0C0121	RACCORDO FISSAGG. TERMOCOPPIA	CONNECTION FOR THERMOCOUPLE	
120	517808700	059161	BICONO DIA.4	BICONIC DIAM.4	
121	830863300	059380	ELETTRODO DI ACCENSIONE	ELECTRODE, IGNITION	
122	831818901	0C3162	TERMOCOPPIA INTERROTTA	INTERRUPTED THERMOCOUPLE	