

ELECTRIC FRYTOP 900XP FRYTOP ELETTRICO 900XP

PNC	Model	Ref	Brand	Notes
391356	E9IILDAOMCA	a	ELX	EL.FRYTOP RIBB.SLOPED 400 MM-CHRB
391357	E9IINDAOMCA	b	ELX	EL.FRYTOP SMOOTH HORIZ. 400 MM-CHRB
391358	E9IIMDAOMEA	c	ELX	EL.FRYTOP SMOOTH+RIBBED SL.800MM-CHRB
391359	E9IIMIAOMEA	d	ELX	EL.FRYTOP SM+RIBB.SL.800MM-230V-CHRB
391395	E9IILIAOMCA	e	ELX	EL.FRYTOP RIBBED SLOPED 400MM-230V-CHRB
391398	E9IINIAOMCA	f	ELX	EL.FRYTOP SMOOTH HORIZ.400MM-230V-CHRB
391399	E9IINIAOMEA	g	ELX	EL.FRYTOP SM.HORIZ. 800MM-230V-CHRB
391400	E9IINDAOMEA	h	ELX	EL.FRYTOP SMOOTH HORIZ. 800 MM-CHRB
391408	E9IILDAOMEA	j	ELX	ELECTRIC FRYTOP FULL RIBB.SL.800 M-CHRB
391443	E9IILDAOMCI	a	ELX	EL.FRYTOP RIBB.SLOPED 400 MM-CHRB
391444	E9IINDAOMEI	h	ELX	EL.FRYTOP SMOOTH HORIZ. 800 MM-CHRB
392356	Z9IILDAOMCA	k	ZAN	EL.FRYTOP RIBB.SLOPED 400 MM-CHRB
392357	Z9IINDAOMCA	l	ZAN	EL.FRYTOP SMOOTH HORIZ. 400 MM-CHRB
392358	Z9IIMDAOMEA	m	ZAN	EL.FRYTOP SMOOTH+RIBBED SL.800MM-CHRB
392359	Z9IIMIAOMEA	n	ZAN	EL.FRYTOP SM+RIBB.SL.800MM-230V-CHRB
392395	Z9IILIAOMCA	o	ZAN	EL.FRYTOP RIBBED SLOPED 400MM-230V-CHRB
392398	Z9IINIAOMCA	p	ZAN	EL.FRYTOP SMOOTH HORIZ.400MM-230V-CHRB
392399	Z9IINIAOMEA	q	ZAN	EL.FRYTOP SM.HORIZ. 800MM-230V-CHRB
392400	Z9IINDAOMEA	r	ZAN	EL.FRYTOP SMOOTH HORIZ. 800 MM-CHRB
392408	Z9IILDAOMEA	s	ZAN	ELECTRIC FRYTOP FULL RIBB.SL.800 M-CHRB
393356	N9IILDAOMCA	t	OEM	EL.FRYTOP RIBB.SLOPED 400 MM-CHRB
393357	N9IINDAOMCA	u	OEM	EL.FRYTOP SMOOTH HORIZ. 400 MM-CHRB
393358	N9IIMDAOMEA	v	OEM	EL.FRYTOP SMOOTH+RIBBED SL.800MM-CHRB
393359	N9IIMIAOMEA	w	OEM	EL.FRYTOP SM+RIBB.SL.800MM-230V-CHRB
393395	N9IILIAOMCA	x	OEM	EL.FRYTOP RIBBED SLOPED 400MM-230V-CHRB
393398	N9IINIAOMCA	y	OEM	EL.FRYTOP SMOOTH HORIZ.400MM-230V-CHRB
393399	N9IINIAOMEA	z	OEM	EL.FRYTOP SM.HORIZ. 800MM-230V-CHRB
393400	N9IINDAOMEA	a1	OEM	EL.FRYTOP SMOOTH HORIZ. 800 MM-CHRB
393408	N9IILDAOMEA	b1	OEM	ELECTRIC FRYTOP FULL RIBB.SL.800 M-CHRB
393700	L9IILDAOMC5	c1	LOIPART	EL. FT RIBBED 400MM, BRUSHED CHROME, LOIPART
393701	L9IINDAOMC5	d1	LOIPART	ELECTRIC FRYTOP SMOOTH HORIZONTAL PLATE 400MM, BRUSHED CHROME, LOIPART
393702	L9IIMDAOME5	e1	LOIPART	ELECTRIC FRYTOP SMOOTH+RIBBED SLOPED 800MM, BRUSHED CHROME, LOIPART
393703	L9IINDAOME5	f1	LOIPART	ELECTRIC FRYTOP SMOOTH HORIZONTAL PLATE 800MM, BRUSHED CHROME, LOIPART

Index

General components / Componenti struttura
Spare parts list / Lista ricambi

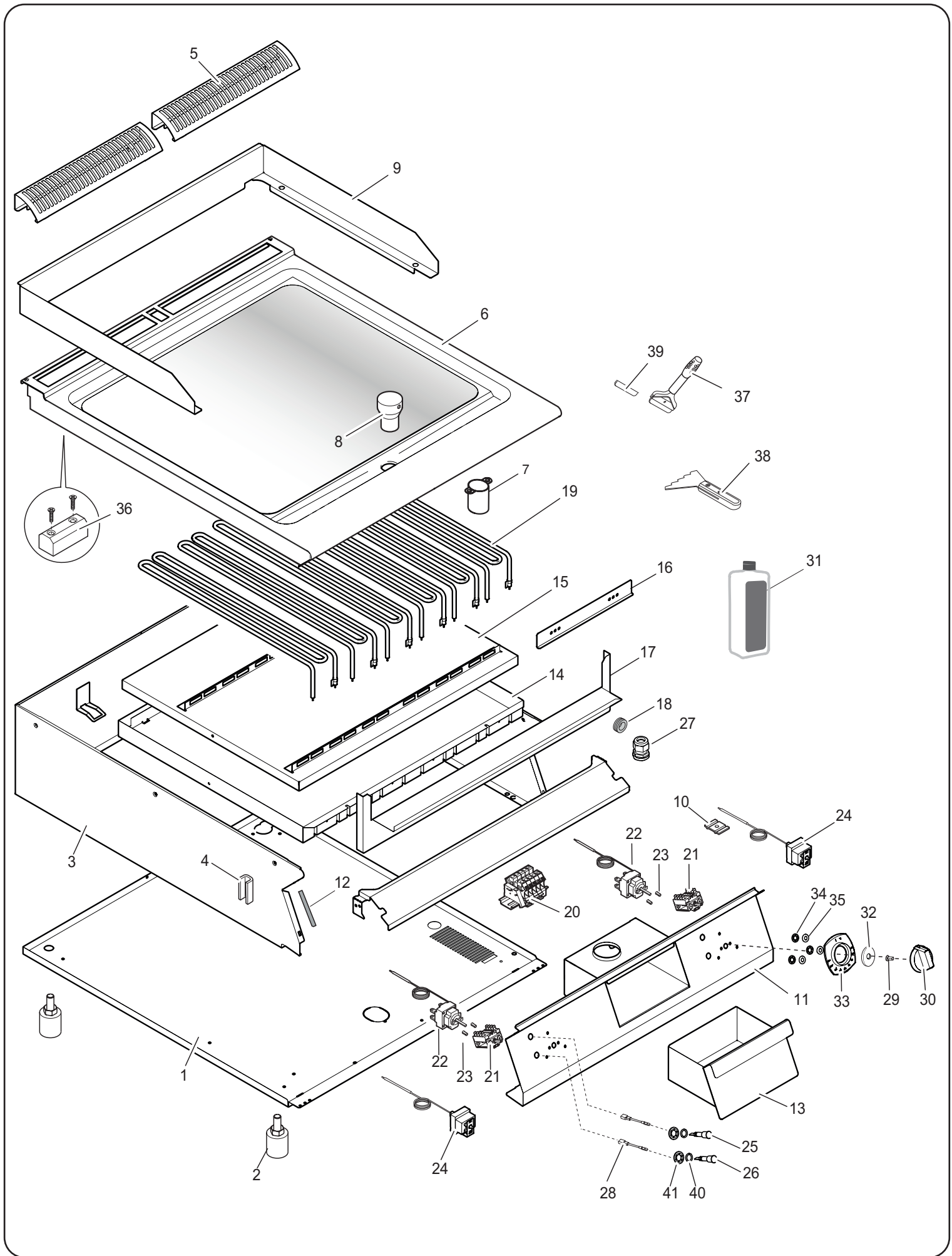
Page

2
3-4

Bold=last change / Grassetto =ultima modifica

Rev. 1

From Ser. Nr. 9491 Up to Ser. Nr.	Ed. 2020-01 Updated 2024-02	Page: 1	Doc No:59785WC00
--------------------------------------	--------------------------------	---------	-------------------------



ELECTRIC FRYTOP 900XP
FRYTOP ELETTRICO 900XP

Pos	Factory Code	Spare Code	Descrizione	Description	Ref./Notes
1	0530813307	*	FONDO 400mm	BOTTOM PANEL 400	
1	0530813406	*	FONDO 800mm	BOTTOM PANEL 800	
2	0315252601	026806	PIEDINO	FOOT	
3	085089DR02	0CA013	RIVESTIMENTO TOP	EXTERNAL PANEL	ELX 400 mm - a,b,e,f LOIPART 400 mm - c1,d1
3	085089DS02	0C9625	RIVESTIMENTO TOP	EXTERNAL PANEL	ELX 800 mm - c,d,g,h,j LOIPART 800 mm - e1,f1
3	085089DU02	*	RIVESTIMENTO TOP	EXTERNAL PANEL	ZAN, OEM 400 mm - k,l,o,p,t,u,x,y
3	085089DV02	0C9937	RIVESTIMENTO TOP	EXTERNAL PANEL	ZAN, OEM 800 mm - m,n,q,r,s,v,w,z,a1,b1
4	0527850500	0C0156	SQUADRA FISS.FIANCHI N900	SIDE PANEL JOINTING PLATE	
5	050389LP00	0C7333	GRIGLIA CAMINO	CHIMNEY GRID	
6	087589H300	0CBB4D	PIASTRA-RIPIANO ORIZZONTALE LISCIO	HORIZONTAL SMOOTH PLATE	ELX 400 mm - b,f LOIPART 400 mm - d1
6	087589H500	0CBB13	PIASTRA-RIPIANO ORIZZONTALE LISCIO	HORIZONTAL SMOOTH PLATE	ELX 800 mm - g,h LOIPART 800 mm - f1
6	087589H700	0CBB4E	PIASTRA-RIPIANO INCLINATO RIGATO	SLOPING RIBBED PLATE	ELX 400 mm - a,e LOIPART 400 mm - c1
6	087589H900	0CBAV7	PIASTRA-RIPIANO INCLINATO 1/3 RIGATO	SLOPING 1/3 RIBBED PLATE	ELX 800 mm - c,d LOIPART 800 mm - e1
6	087589HC01	*	PIASTRA-RIPIANO ORIZZONTALE LISCIO	HORIZONTAL SMOOTH PLATE	ZAN, OEM 400 mm - l,p,u,y
6	087589HD00	0CBB2T	PIASTRA-RIPIANO INCLINATO RIGATO	SLOPING RIBBED PLATE	ELX 800 mm - j
6	087589HH00	0CBCKJ	PIASTRA-RIPIANO ORIZZONTALE LISCIO	HORIZONTAL SMOOTH PLATE	ZAN, OEM 800 mm - q,r,z,a1
6	087589HK00	0CBB2N	PIASTRA-RIPIANO INCLINATO RIGATO	SLOPING RIBBED PLATE	ZAN, OEM 400 mm - k,o,t,x
6	087589HM00	0CBAUO	PIASTRA-RIPIANO INCLINATO 1/3 RIGATO	SLOPING 1/3 RIBBED PLATE	ZAN, OEM 800 mm - m,n,y,w
6	087589J000	*	PIASTRA-RIPIANO INCLINATO RIGATO	SLOPING RIBBED PLATE	ZAN, OEM 800 mm - s,b1
7	0806875201	0C6254	TUBO SCARICO GRASSI	DRAIN PIPE	
8	0511833100	0C6384	TAPPO	STOPPER	TOP - SMOOTH FLAT PLATE
9	0530899901	0C6386	PARASPRUZZI	SPLASHBACK	400 mm
9	0530899801	0C6385	PARASPRUZZI	SPLASHBACK	800 mm
10	0206250401	051383	PIASTRINA FISSAGGIO CAPILLARE	PLATE, CAPILLARY FIXING	
11	085589AC03	0C7434	CRUSCOTTO	CONTROL PANEL	ELX 400 mm - a,b,e,f
11	085589AB03	0C7433	CRUSCOTTO	CONTROL PANEL	ELX 800 mm - c,d,g,h,j
11	087089FG02	0C7451	CRUSCOTTO	CONTROL PANEL	ZAN 400 mm - k,l,o,p
11	087089FJ03	0C7453	CRUSCOTTO	CONTROL PANEL	ZAN 800 mm - m,n,q,r,s
11	087089HM04	0C7464	CRUSCOTTO	CONTROL PANEL	OEM 400 mm - t,u,x,y LOIPART 400 mm - c1,d1
11	087089HN04	0C7465	CRUSCOTTO	CONTROL PANEL	OEM 800 mm - v,w,z,a1,b1 LOIPART 800 mm - e1,f1
12	0543821900	0C2496	GUARNIZIONE CRUSCOTTO	GASKET FOR CONTROL PANEL	
13	085089CV01	0C7205	CASSETTO	DRAWER, FRYTOP	400 mm
13	085089CX01	0C7303	CASSETTO	DRAWER, FRYTOP	800 mm
14	0528886701	0TTZW1	SCATOLA RESISTENZE	BOX FOR HEATING ELEMENT	400 mm
14	0528887101	0CB649	SCATOLA RESISTENZE	BOX FOR HEATING ELEMENT	800 mm

ELECTRIC FRYTOP 900XP
FRYTOP ELETTRICO 900XP

Pos	Factory Code	Spare Code	Descrizione	Description	Ref./Notes
15	0528886801	0TTZW2	CONTROSCATOLA RESISTENZE	BOX FOR HEATING ELEMENT	400 mm
15	0528887201	0TTZLE	CONTROSCATOLA RESISTENZE	BOX FOR HEATING ELEMENT	800 mm
16	0528886900	0TTZW3	FERMO RESISTENZE	BRACKET, HEATING ELEM.	
17	0529804701	*	PARETE INTERMEDIA	INTERMEDIATE WALL	400 mm
17	0529804101	0CB650	PARETE INTERMEDIA	INTERMEDIATE WALL	800 mm
18	0246520500	050180	PASSACAVO - DIA.23	GROMMET DIA.23	
19	0617823500	006681	RESISTENZA 2500W 400V	HEATING ELEMENT 2500W 400V	400V - a,b,c,h,j,k,l,m,r,s,t,u,v,a1,b1
19	0617823600	006682	RESISTENZA 2500W 230V	HEATING ELEMENT 2500W 230V	230V - e,f,d,g,o,p,n,q,x,y,w,z
19	061783AA00	0CA653	RESISTENZA 2500W 440V	HEATING ELEMENT 2500W 440V	440V - c1,d1,e1,f1
20	0639808700	0F0035	MORSETTIERA	MAIN TERMINAL BLOCK	
21	0641803400	006649	COMMUTATORE	SWITCH	
22	0646805302	059235	TERMOSTATO TRIPOL. 100-285'C	THERMOSTAT	
23	0214123600	050256	PERNO COLLEGAMENTO	PIN	
24	0646808102	004269	LIMITATORE DI TEMPERATURA	SAFETY THERMOSTAT	
25	0876800002	005010	ASSIEME LAMPADAZERDE TONDA	GREEN LAMP	
26	0876800102	005011	ASSIEME LAMPADAZERDE TONDA	YELLOW LAMP	
27	0544802300	0C0068	PRESSACAVO PG 21	TOGHTENER CORD	
28	0638865101	005370	RESISTENZA DI CADUTA	LEAKAGE RESISTANCE	
29	0548877V00	0C7345	ADATTATORE MANOPOLA	KNOB ADAPTER	ELX, LOIPART
30	0511850G01	0C6670	MANOPOLA	KNOB	ELX, LOIPART
30	0548878202	0C7232	MANOPOLA	KNOB	ZAN
30	0548865500	0A5621	MANOPOLA	KNOB	OEM
31	*	0S2292	DETERGENTE C41, RESIDUI BRUCIATI	DETERGENT C41, FOR BURNT SCRAPPINGS	6 BOTTLES PER PACK
31	*	0S1841	DETERGENTE C40, RESIDUI CARBONIOSI	DETERGENT C40, FOR CARBONIZED SCRAPPINGS	6 BOTTLES PER PACK
32	0543821000	053816	GUARNIZIONE PER MANOPOLA	GASKET KNOB	
33	0548877P00	0C7626	GHIERA MANOPOLA COMMUTATORE	KNOB RING FOR SWITCH	ELX, LOIPART
33	0548879Z00	0C7430	GHIERA MANOPOLA COMMUTATORE	KNOB RING FOR SWITCH	ZAN, OEM
34	0218912211	069567	MOLLETTA PER GHIERA	SPRING FOR KNOB RING	
35	0541813800	0C6171	RONDELLA IN SILICONE	SILICONE WASHER	
36	0516860702	0C0137	N9 PIASTRINA FILETTATA FISSAGGIO POSTERIORE RIPIANO	JOINTING REAR PLATE	
37	0805848204	055995	RASCHIETTO PER PIASTRA LISCIA	SCRAPER	
38	0830851300	056940	RASCHIETTO PER PIASTRA RIGATA	SCRAPER FOR RIBBED PLATE	RIBBED
39	0506887401	056347	LAMA PER RASCHIETTO	BLADE FOR SCRAPER	
40	0543826400	0C2183	OR LAMPADA	OR LAMP	
41	0527815500	0C2184	MOLLETTA FISS. LAMPADA	FIXING SPRING FOR LAMP	