

GAS FRYTOP 700XP FRYTOP GAS 700XP

PNC	Model	Ref	Brand	Notes
371320	E7IIKAAOMCA	a	EPR	GAS FRY TOP-SMOOTH 400 MM-CHRB
371323	E7IILAAOMCA	b	EPR	GAS FRY TOP-RIBBED 400 MM-CHRB
371330	E7IIKAAOMEA	c	EPR	GAS FRY TOP-SMOOTH 800 MM-CHRB
371335	E7IIMAAOMEA	d	EPR	GAS FRY TOP-SMOOTH+RIBB.800 MM-CHRB
371411	E7IIKTAOMCI	a	EPR	GAS FRY TOP-SMOOTH PLATE 400MM-BRUSHED CHROME - QMARK
371412	E7IILTAOMCI	b	EPR	GAS FRY TOP-RIBBED PLATE 400MM-BRUSHED CHROME - QMARK
371413	E7IIKTAOMEI	c	EPR	GAS FRY TOP-SMOOTH PLATE 800MM-BRUSHED CHROME - QMARK
371414	E7IIMTAOMEI	d	EPR	GAS FRY TOP-SMOOTH+RIBBED PLATE 800MM-BRUSHED CHROME - QMARK
372320	Z7IIKAAOMCA	e	ZAN	GAS FRY TOP-SMOOTH 400 MM-CHRB
372323	Z7IILAAOMCA	f	ZAN	GAS FRY TOP-RIBBED 400 MM-CHRB
372330	Z7IIKAAOMEA	g	ZAN	GAS FRY TOP-SMOOTH 800 MM-CHRB
372335	Z7IIMAAOMEA	h	ZAN	GAS FRY TOP-SMOOTH+RIBB.800 MM-CHRB
372412	Z7IIKTAOMCI	e	ZAN	GAS FRY TOP-SMOOTH PLATE 400MM-BRUSHED CHROME - QMARK
372413	Z7IILTAOMCI	f	ZAN	GAS FRY TOP-RIBBED PLATE 400MM-BRUSHED CHROME - QMARK
372414	Z7IIKTAOMEI	g	ZAN	GAS FRY TOP-SMOOTH PLATE 800MM-BRUSHED CHROME - QMARK
372415	Z7IIMTAOMEI	h	ZAN	GAS FRY TOP-SMOOTH+RIBBED PLATE 800MM-BRUSHED CHROME - QMARK
373320	N7IIKAAOMCA	i	OEM	GAS FRY TOP-SMOOTH 400 MM-CHRB
373323	N7IILAAOMCA	j	OEM	GAS FRY TOP-RIBBED 400 MM-CHRB
373330	N7IIKAAOMEA	k	OEM	GAS FRY TOP-SMOOTH 800 MM-CHRB
373335	N7IIMAAOMEA	l	OEM	GAS FRY TOP-SMOOTH+RIBB.800 MM-CHRB

Index

General components / Componenti struttura
Gas components / Componenti gas
Nozzles tables / Tabelle ugelli
Spare parts list / Lista ricambi

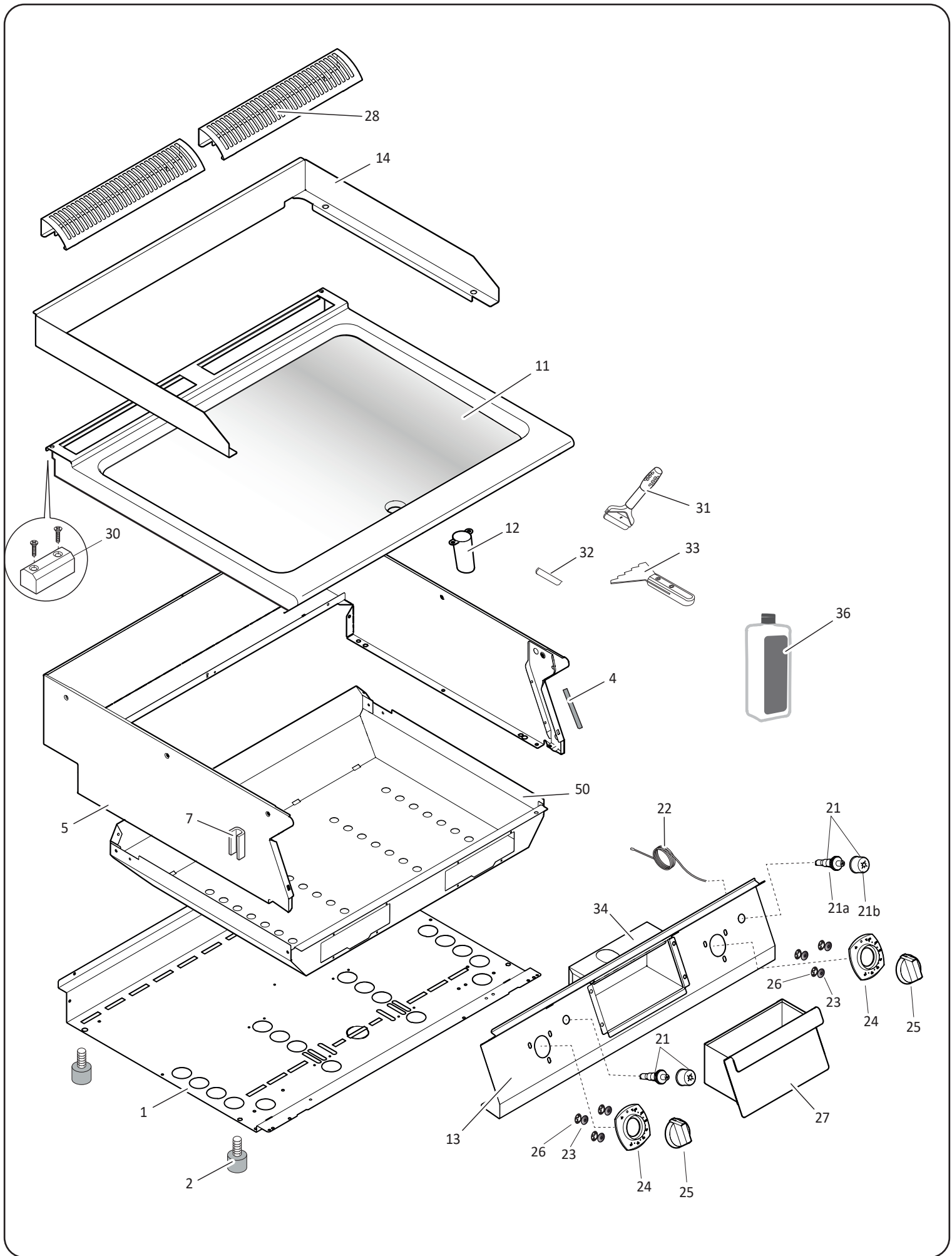
Page

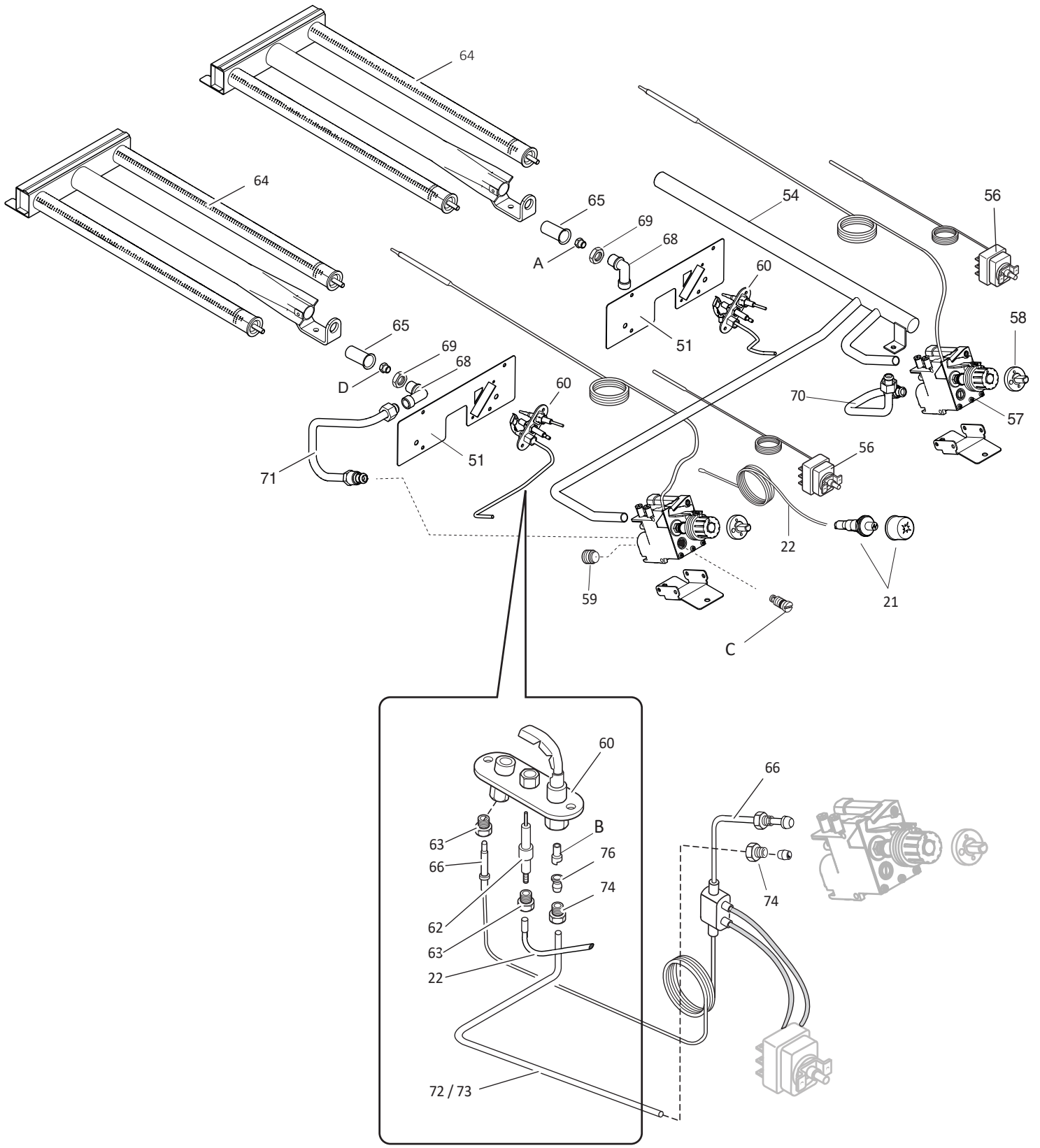
2
3
4
5-6

Bold=last change / Grassetto =ultima modifica

Rev. 1

From Ser. Nr. 9491 Up to Ser. Nr.	Ed. 2020-01 Updated 2023-10	Page: 1	Doc No:59785WJ00
--------------------------------------	--------------------------------	---------	-------------------------





A - Ugello bruciatore Crh / Burner nozzle Crh			
6DGT Code	Ref. / Notes		
0A2533	ø1.35	3+3B/P	G30 30mbar
002393	ø1.30	3B/P	G30 37mbar
0A2650	ø1.20	3B/P	G30 50mbar
0A2102	ø2.00	2H/2E+	G20 20mbar
A05176400	ø1.85	2H	G20 25mbar
058335	ø2.05	2L	G25 25mbar
0A2102	ø2.00	2K	G25.3 25mbar
0A2083	ø2.20	2ELL	G25 20mbar
059418	ø2.15	2S	G25.1 25mbar
002979	ø3.80	No CE	G110 8mbar

B - Ugello pilota / Pilot nozzle			
6DGT Code	Ref. / Notes		
059216	n°14	3+3B/P	G30 30mbar
059216	n°14	3B/P	G30 37mbar
059216	n°14	3B/P	G30 50mbar
059215	n°27	2H/2E+	G20 20mbar
059215	n°27	2H	G20 25mbar
059215	n°27	2L	G25 25mbar
059215	n°27	2K	G25.3 25mbar
059215	n°27	2ELL	G25 20mbar
059215	n°27	2S	G25.1 25mbar
059356	n°50	No CE	G110 8mbar

C - Vite di minimo Crh/ Min screw Crh			
6DGT Code	Ref. / Notes		
003321	n°110	3+3B/P	G30 30mbar
004602	n°100	3B/P	G30 37mbar
0C2987	n°90	3B/P	G30 50mbar
0A5422	n°160	2H/2E+	G20 20mbar
003159	n°140	2H	G20 25mbar
0A5422	n°160	2L	G25 25mbar
0A5422	n°160	2K	G25.3 25mbar
0A5422	n°160	2ELL	G25 20mbar
0A5422	n°160	2S	G25.1 25mbar
/	adjus	No CE	G110 8mbar

GAS FRYTOP 700XP
FRYTOP GAS 700XP

Pos	Factory Code	Spare Code	Descrizione	Description	Ref./Notes
1	5038A2D01	0CB868	FONDO 400mm	BOTTOM PANEL 400mm	
1	5038A2C01	0CB183	FONDO 800mm	BOTTOM PANEL 800mm	
2	315252601	026806	PIEDE	FOOT	
4	543821900	0C2496	GUARNIZIONE CRUSCOTTO	GASKET, CONTROL PANEL	
5	85089F701	0C8544	RIVESTIMENTO LATERALE 400 mm	EXTERNAL PANEL 400 mm	ELX 400 - a,b
5	85089FA01	0C7268	RIVESTIMENTO LATERALE 400 mm	EXTERNAL PANEL 400 mm	ZAN, OEM 400 - e,f,i,j
5	85089F801	0C7536	RIVESTIMENTO LATERALE 800 mm	EXTERNAL PANEL 800 mm	ELX 800 - c,d
5	85089FB01	0C8464	RIVESTIMENTO LATERALE 800 mm	EXTERNAL PANEL 800 mm	ZAN, OEM 800 - g,h,k,l
7	527850500	0C0156	PIASTRINA FACCIATA FIANCO	SIDE PANEL JOINTING PLATE	
11	87589G700	*	RIPIANO 400mm LISCIO	TOP 400mm SMOOTH	ELX 400 - a
11	87589G800	*	RIPIANO 400mm RIGATO	TOP 400mm RIBBED	ELX 400 - b
11	87589GA00	*	RIPIANO 800mm LISCIO	TOP 800mm SMOOTH	ELX 800 - c
11	87589GC00	*	RIPIANO 800mm 1/3RIG.	TOP 800mm 1/3 RIBBED	ELX 800 - d
11	87589GK00	*	RIPIANO 400mm LISCIO	TOP 400mm SMOOTH	ZAN, OEM 400 - e,i
11	87589GL00	*	RIPIANO 400mm RIGATO	TOP 400mm RIBBED	ZAN, OEM 400 - f,j
11	87589GM00	*	RIPIANO 800mm LISCIO	TOP 800mm SMOOTH	ZAN, OEM 800 - g,k
11	87589GN00	*	RIPIANO 800mm 1/3RIG.	TOP 800mm 1/3 RIBBED	ZAN, OEM 800 - h,l
12	806860103	0C6237	TUBO DI SCARICO	DRAIN PIPE	
13	85589B904	0C7870	CRUSCOTTO 400mm	CONTROL PANEL 400mm	ELX - a,b
13	85589C703	0C7664	CRUSCOTTO 800mm	CONTROL PANEL 800mm	ELX - c,d
13	87089JM04	0C7670	CRUSCOTTO 400mm	CONTROL PANEL 400mm	ZAN - e,f
13	87089K403	0C7681	CRUSCOTTO 800mm	CONTROL PANEL 800mm	ZAN - g,h
13	87089LX04	0C7689	CRUSCOTTO 400mm	CONTROL PANEL 400mm	OEM - i,j
13	87089LY04	0C7690	CRUSCOTTO 800mm	CONTROL PANEL 800mm	OEM - k,l
14	532806904	0C2964	PARASPRUZZI 400 mm	SPLASHBACK 400 mm	400 mm
14	532807104	0C2965	PARASPRUZZI 800 mm	SPLASHBACK 800 mm	800 mm
21	835834901	0C9240	ACCENDITORE PIEZO + COPERTURA	PIEZOELECTRIC IGNITER + RUBBER CAP	
21a	835829600	059251	ACCENDITORE PIEZO	PIEZOELECTRIC IGNITER	
21b	541809001	0C9407	COPERTURA ACCENDITORE	RUBBER CAP	
22	638883500	006514	CAVO ACCENDITORE	IGNITION CABLE	
23	541813800	0C6171	RONDELLA SILICONE	SILICONE WASHER	
24	548877R00	0C7637	GHIERA VALVOLA EUROSIT	KNOB RING, GAS VALVE	ELX - a,b,c,d
24	54887A000	0C7661	GHIERA VALVOLA EUROSIT	KNOB RING, GAS VALVE	ZAN, OEM - e,f,g,h,i,j,k,l
25	511850G01	0C6670	MANOPOLA VALVOLA GAS	KNOB, GAS VALVE	ELX - a,b,c,d
25	548878002	0C7180	MANOPOLA VALVOLA GAS	KNOB, GAS VALVE	ZAN - e,f,g,h
25	548865700	0C1380	MANOPOLA VALVOLA GAS	KNOB, GAS VALVE	OEM - i,j,k,l
26	218912211	069567	MOLLA FISSAGGIO GHIERA	SPRING, KNOB RING	
27	85089CW01	0C7868	CASSETTO 400mm	DRAWER 400mm	
27	85089CY01	0C7662	CASSETTO 800mm	DRAWER 800mm	
28	50389LP00	0C7333	GRIGLIA CAMINO	GRID CHIMNEY	
30	516860702	0C0137	PIASTRINA UNIONE POST.	PLATE REAR JOINTING	
31	0805848204	055995	RASCHIETTO PER PIASTRA LISCIA	SCRAPER FOR SMOOTH PLATE	
32	0506887401	056347	LAMA PER RASCHIETTO	BLADE FOR SCRAPER	
33	0830851300	056940	RASCHIETTO PER PIASTRA RIGATA	SCRAPER FOR RIBBED PLATE	
34	50489UH00	*	GUIDA CASSETTO	DRAWER RUNNER	400 mm
34	50489UG00	*	GUIDA CASSETTO	DRAWER RUNNER	800 mm
36	*	0S2292	DETERGENTE C41, RESIDUI BRUCIATI	DETERGENT C41, FOR BURNT SCRAPPINGS	6 BOTTLES PER PACK
36	*	0S1841	DETERGENTE C40, RESIDUI CARBONIOSI	DETERGENT C40, FOR CARBONIZED SCRAPPINGS	6 BOTTLES PER PACK

GAS FRYTOP 700XP
FRYTOP GAS 700XP

Pos	Factory Code	Spare Code	Descrizione	Description	Ref./Notes
50	50289D400	0CB125	CAMERA COMBUSTIONE	COMBUSTION CHAMBER	400 mm
50	50289D300	0CB765	CAMERA COMBUSTIONE	COMBUSTION CHAMBER	800 mm
51	50589DS00	0CBAEB	CHIUSURA ANTERIORE	FRONT CLOSING PANEL	
54	856801704	0C3069	RIBALTA VALVOLATO	GAS MANIFOLD	400 mm
54	856801804	0C3070	RIBALTA VALVOLATO	GAS MANIFOLD	800 mm
56	646808600	004600	LIMITATORE TEMPERATURA	SAFETY THERMOSTAT	
57	835873700	0C6235	VALVOLA EUROSIT	GAS VALVE	
58	54887AD00	0C8571	PROLUNGA MANOPOLA	EXTENSION KNOB	
59	516865800	0C0625	TAPPO VALVOLA	STOPPER GAS VALVE	
60	830884101	0C7102	PILOTA	PILOT BURNER	
62	830863300	059380	ELETTRODO	ELECTRODE	
63	214164101	057960	RACCORDO ELETTRODO	PIPE FITTING, ELECTRODE	
64	830883404	004591	BRUCIATORE	BURNER	
65	215088100	052062	BOCCOLA REGOLAZIONE ARIA	BUSH FOR AIR REGULATION	
66	831818901	0C3162	TERMOCOPPIA INTERROTTA	INTERRUPTED THERMOCOUPLE	
68	511805801	059375	PORTAUGELLO	NOZZLE HOLDER	
69	214105101	020997	CONTRODADO	LOCK NUT	
70	806846203	0C5162	CONDUTTURA DX GAS VALVOLATO	GAS PIPE RIGHT SIDE	400, 800 DX
71	806846103	0C5161	CONDUTTURA SX GAS VALVOLATO	GAS PIPE LEFT SIDE	800 SX
72	517896201	0C6236	CONDUTTURA PILOTA	PILOT GAS PIPE	400, 800 DX
73	517896301	0C6239	CONDUTTURA PILOTA SINISTRA	PILOT GAS PIPE LEFT SIDE	800 SX
74	214164400	052125	RACCORDO PILOTA	PIPE FITTING, PILOT	
76	517808700	059161	BICONO PILOTA	DOUBLE CONE, PILOT	

Electrolux Professional SpA
Viale Treviso, 15
33170 Pordenone, ITALY
Fax (+39) 0434 380 201
<https://www.electroluxprofessional.com>
<https://webgate.electroluxprofessional.com>