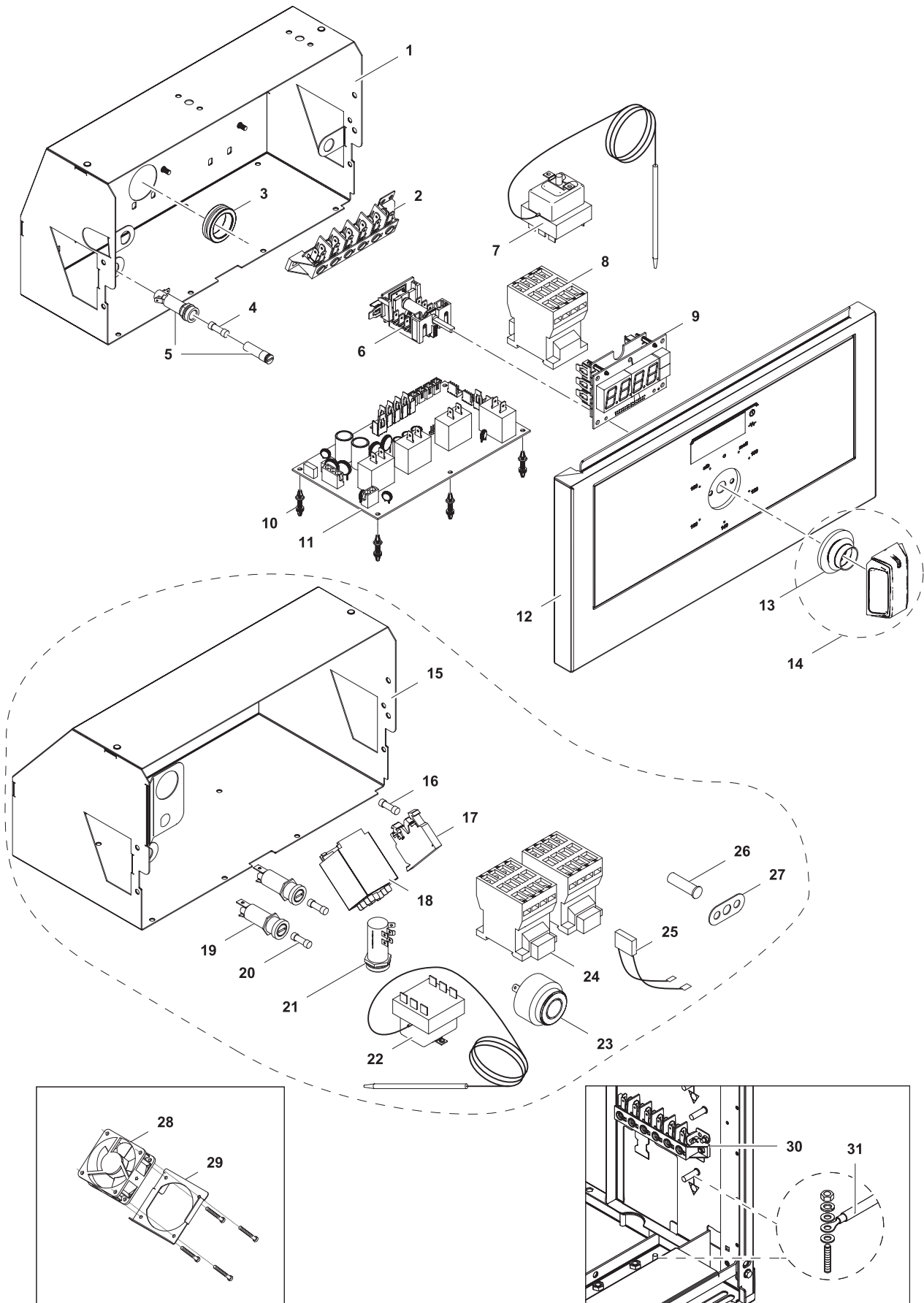


THERMALINE 80/85/90

DE ELEKTRISCHE FRITTEUSEN 7L / 14L / 23L
EN ELECTRIC DEEP FAT FRYER 7L / 14L / 23L

PNC	Factory Model	Ref.	Description
588209	MAFAEADDAO	a	7L FRYER, 400X800X700H
588210	MAFAEBDDAO	a	7L FRYER, C-BOARD, 400X800X700H
588295	MAFAFADDAO	b	7L FRYER, 400X800X800H
588296	MAFAFBDDAO	b	7L FRYER, C-BOARD, 400X800X800H
588629	MBFAGBDDAO	c	7L FRYER, C-BOARD, 400X850X700H
589296	MCFAEADDAO	d	7L FRYER, 400X900X700H
589297	MCFAEBDDAO	d	7L FRYER, C-BOARD, 400X900X700H
589453	MCFAFADDAO	e	7L FRYER, 400X900X800H
589454	MCFAFBDDAO	e	7L FRYER, C-BOARD, 400X900X800H
588328	MAFGEADDAO	f	14L FRYER, 400X800X700H
588329	MAFGEBDDAO	f	14L FRYER, C-BOARD, 400X800X700H
588330	MAFGFADDAO	g	14L FRYER, 400X800X800H
588331	MAFGFBDDAO	g	14L FRYER, C-BOARD, 400X800X800H
588685	MBFGGBDDAO	h	14L FRYER, C-BOARD, 400X850X700H
589498	MCFGEADDAO	i	14L FRYER, 400X900X700H
589499	MCFGEBDDAO	i	14L FRYER, C-BOARD, 400X900X700H
589500	MCFGFADDAO	j	14L FRYER, 400X900X800H
589501	MCFGFBDDAO	j	14L FRYER, C-BOARD, 400X900X800H
588631	MBFCGBEDAO	k	23L FRYER, C-BOARD, 500X850X700H
589300	MCFCEAEDAO	l	23L FRYER, 500X900X700H
589301	MCFCEBEDAO	l	23L FRYER, C-BOARD, 500X900X700H
589457	MCFCFAEDAO	m	23L FRYER, 500X900X800H
589458	MCFCFBEDAO	m	23L FRYER, C-BOARD, 500X900X800H
589825	MCFAEADDDM	n	MARINE* 7L FRYER, 400X900X700H
589827	MCFGEADDDM	o	MARINE* 14L FRYER, 400X900X700H
589826	MCFCEAEDDM	p	MARINE* 23L FRYER, 500X900X700H

Page	Index	Last Updates	Page	Ref.
2	Fryer 7L	04/2017	17	
6	Fryer 14L	10/2017	5	27
10	Fryer 23L	11/2017	3 / 11 / 7	19 / 15 / 18
		11/2017	17	38, 40
		05/2018	17	41
		11/2018	5 / 9 / 15	18 / 19 / 21
		12/2018	3 / 7 / 11	14 / 14 / 11
		05/2019	3 / 7 / 11	13, 14 / 13, 14 / 10, 11
		07/2019	5 / 9	17, 18 / 18, 19
Valid from Ser. № 3101....		07/2020	5 / 9	17, 18 / 18, 19
		05/2021	3 / 7 / 9 / 11	9 / 8, 9, 11, 23 / 21 / 8

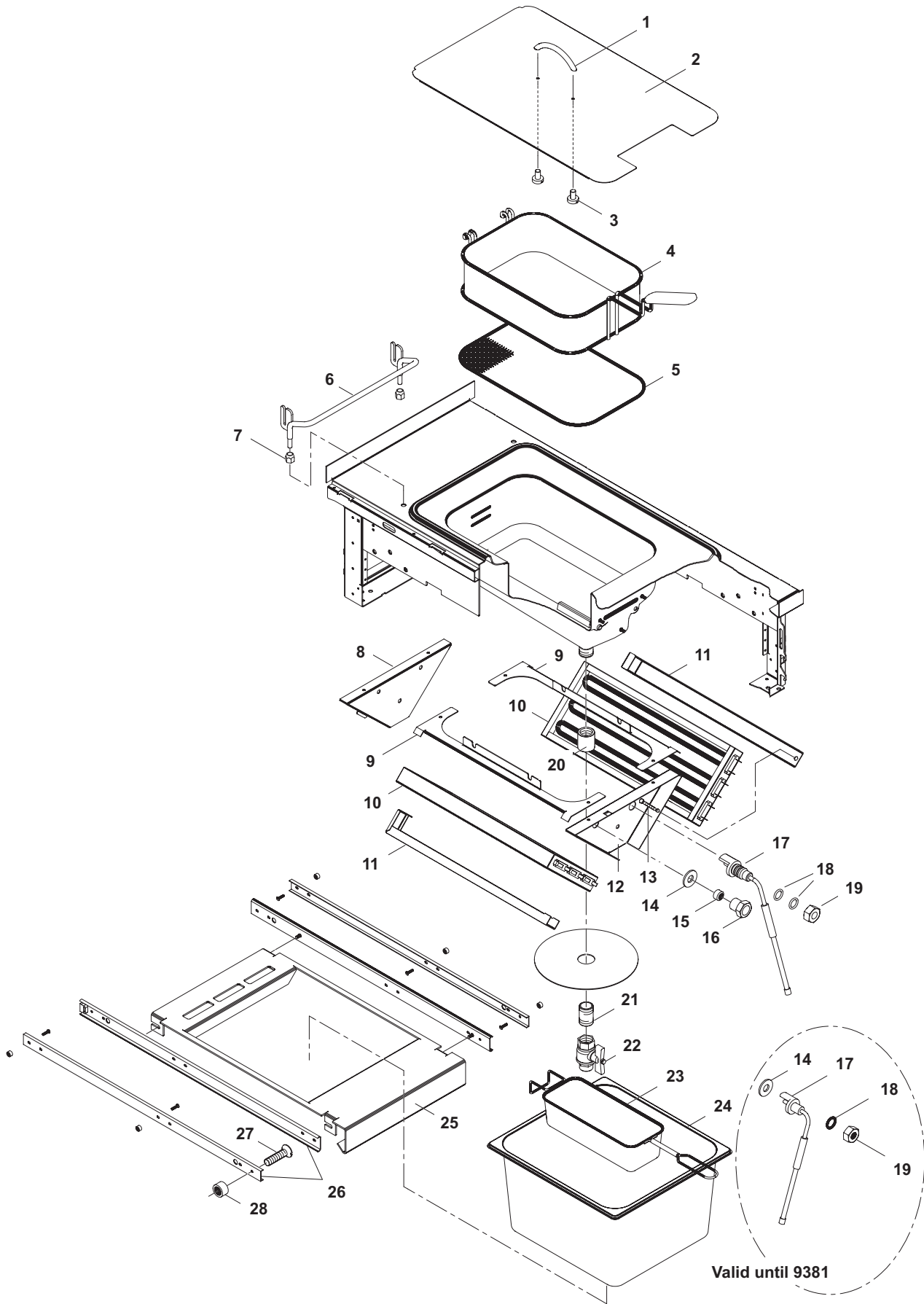


1	Alias	Code	Bezeichnung	Description	Ref.	Valid from Serial N°
1	82.3010	OG7303	Elektrobox	Electrical compartment	a b d e	
2	82.7023	058613	Klemme FV122	Terminal FV122	a b c d e	
3	712 044961.17	OKT854	Kabeltülle Ø25/Ø31/Ø35x10	Cable: sleeve Ø25/Ø31/Ø35x10	a b c d e n	
4	712 344362.01	OG5814	Sicherung 5x20 1A	Fuse 5x20 1A	a b c d e n	
5	82.7093	056582	Halter Sicherung	Fuse holder	a b c d e n	
6	82.9015	OG6306	Schalter off-melt-lin-stby +10K Potiometer	Switch off-melt-lin-stby +10K potentiometer	a b c d e n	
7	82.9093	005941	Sicherheitsthermostat 259°C -20K	Safety thermostat 259°C -20K	a b c d e	
8	1 115 1757	OG4645	Schütz K3-14x027 + K2-E230	Conductor K3-24x027 + K2-E230	a b c d e n	
9	82.7015	OG7091	Eurotas Display	Eurotas Display	a b d e n	
	72.5938.04	OKI362	Anzeigelampe grün	Indicator light, green	c	
	72.5938.08	OKI364	Einsteckfassung grün/gelb Ø10mm	Lamp holder, green/yellow, Ø10mm	c	
	72.5938.03	OKI361	Anzeigelampe klar	Indicator light, transparent	c	
	72.5938.07	OKI363	Einsteckfassung klar Ø10mm	Lamp holder, transparent, Ø10mm	c	
10	75.5000.05	OC3750	Distanzhalter Kunststoff	Plastic spacer support	a b c d e n	
11	82.7014.KD	OG6221	Mainboard SPARTA	Mainboard SPARTA	a b c d e n	
12	82.1027.64	*	Bedienblende Fritteuse	Control panel	a b d e	
	82.1049.64	*	Bedienblende Fritteuse INOX	Control panel INOX	c	
	82.1027.300	OG6895	Bedienblende Fritteuse Marine	Control panel marine	n	
13	82.7009	OG6247	Dichtung Drehgriff	Sealing for handle	a b c d e n	
	82.7628	OG8603	Dichtung Drehgriff	Sealing for handle	colored M2M	
14	82.6637.01	OG7693	Drehgriff Kpl.	Handle complete kit	a b c d e n	
	82.6638.01	OG8620	Drehgriff Kpl.	Handle complete kit	colored M2M	
15	82.3044	OG7058	Electrobox Marine	Electrical compartment marine	n	
16	712 344362.01	OG5814	Sicherung 5x20 1A	Fuse 5x20 1A	n	
17	75.2012.01	OK5155	Sicherungsklemme	Fuse holder terminal	n	
	75.2012.02	OT2599	Sicherungsklemme Abschlusswand	Cover for fuse holder terminal	n	
18	879206	OG6877	Relais '62.838.230.0009+06207	Relay '62.838.230.0009+06207	n	
19	879204	OCB130	Halter Sicherung 6.3X32 500V	Fuse holder 6.3X32 500V	n	
20	82.9171	OTTR73	Sicherung 6.3X32 0.63A 500V	Fuse 6.3X32 0.63A 500V	n	
21	82.9212	OG6878	Schlüsselschalter P2-3FBA-20	Key switch P2-3FBA-20	n	
22	82.9093	005941	Sicherheitsthermostat 259°C -20K	Safety thermostat 259°C -20K	n	
23	82.9217	OG6876	Summer Moflash AE20M-230FA Piezo 230V	Buzzer Moflash AE20M-230FA Piezo 230V	n	
24	1 115 1757	OG4645	Schütz K3-14x027 + K2-E230	Conductor K3-14x027 + K2-E230	n	
25	82.9223	003551	RC-Glied 47NF 100Ω	Snubber 47NF 100Ω	n	
26	72.5938.09	OG2884	Einsteckfassung rot Ø10mm	Lamp holder, red, Ø10mm	n	
	72.5938.11	OG4247	Anzeigelampe, klar (250V)	Indicator light, transparent (250V)	n	
27	82.3032	*	Halter Signalleuchte	Support for indicator light	n	
28	82.7159	OG6274	Ventilator 60x60x25 622HH (3.5W)	Ventilator 60x60x25 622HH (3.5W)	a b c d e n	
29	82.3009	*	Halteblech Ventilator	Cooling fan support	a b c d e n	
	1 701 1083	OG5755	Zylinderschraube M3x30	Socket cap screw M3x30	a b c d e n	
	1 701 3540	2K1478	Unterlegscheibe M3	Washer M3	a b c d e n	
30	82.7023	058613	Klemme FV122	Terminal FV122	a b c d e n	
31	82.9103	OG6424	Kabel: Haupterdraht L400 6mm²	Cable: main earthing L400 6mm²	a b c d e n	
	82.9003	OG6899	Kabel: Potentiometer - Display L200	Cable: Potentiometer - Display L200	a b d e	
	82.9009	OG6906	Kabel: SPARTA - Ventilator L2000	Cable: SPARTA - Ventilator L2000	a b c d e n	
	82.9023	OG6961	Kabel: SPARTA - Display L500	Cable: SPARTA - Display L500	a b d e	
	82.9046	OG6962	Kabel: SPARTA - N - Schalter - P	Cable: SPARTA - N - switch - P	a b c d e	
	82.9047	OG6963	Kabel: X1 - F2 - K1 + K2	Cable: X0 - F2 - K1 + K2	a b c d e	
	82.9050	OG6964	Kabel: Schützen - Heizungen	Cable: Conductor - Heating elements	a b c d e	
	82.9035.01	OG6982	Kabel: X0 - X1 Hauptzuleitung	Cable: X0 - X1 mains	a b c d e	
	82.9044.01	OG6965	Kabel: SPARTA - Potentiometer L450	Cable: SPARTA - Potentiometer L450	c	
	82.9049.01	OG6966	Kabel: Anzeigelampen	Cable: indicator lights	c	
	82.9263		Kabel: Fritteuse 7L Marine	Cable: Fryer 7L Marine	n	

* Components on demand
* Teile auf Anfrage

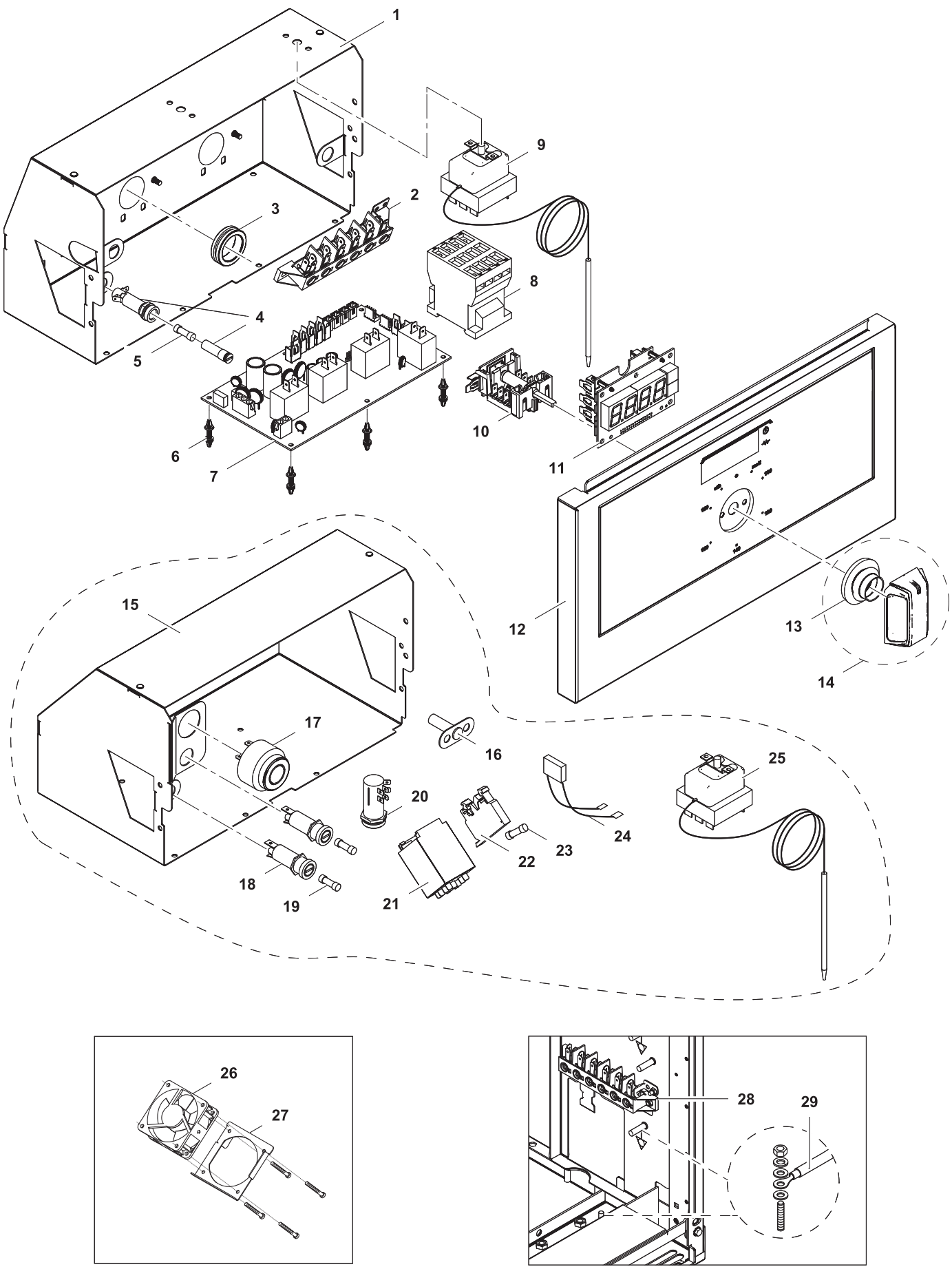
Doc. № 599A2A800 / 82.8010.03

Page: 3



Valid until 9381

2	Alias	Code	Bezeichnung	Description	Ref.	Valid from Serial N°
1	82.7097	OC0614	Griff für Fritteusendeckel	Handle for fryer lid	a b c d e n	
2	82.2119	OG6968	Deckel 7L Fritteuse	Lid 7L fryer	a b c d e n	
3	1 701 1041	OG6969	Flachkopfschraube M4x6	Flat head screw M4x6	a b c d e n	
4	82.7139	004492	Frittierkorb 7L	Fryer basket 7L	a b c d e n	
5	1 701 2748	005932	Schmutzfanggitter	Bottom grid fryer	a b c d e n	
6	82.7136	OTTK58	Bügel	Basket hanger	a b c d e n	
7	82.7116	OC6012	Buchse	Fixation	a b c d e n	
8	82.2125	OG6970	Halter hinten	Support backside	a b c d e n	
9	82.2123	OG6971	Verbindungselement	Connection element	a b c d e n	
10	82.7138	004755	Heizung 2.7 kW	Heating element 2.7 kW	a b c d e	
	82.9222	OG6884	Heizung 2.7 kW (Marine)	Heating element 2.7 kW (Marine)	n	
11	82.2122	OG6972	Halter seitlich	Side support	a b c d e n	
12	82.2124	OG6973	Halter vorn	Support frontside	a b c d e n	
13	1 701 1063	OG4361	Sechskantschraube M5x50	Hex bolt M5x50	a b c d e n	
14	82.7123	OTTK28	Isolation rund Ø35 ø15 x 3	Flat seal Ø35 ø15 x 3	a b c d e n	
15	82.7120	002075	Dichtung Ø6mm	Seal Ø6mm	a b c d e n	
16	82.7119	002076	Verschraubung Ø6mm	Fitting Ø6mm	a b c d e n	
17	82.7174.01	OG6321	Sensor TC Wasser/Öl (grünes Kabel)	Sensor TC water/oil (green cable)	a b c d e n	until 9381...
	82.7615.01	OG8681	Sensor TC Wasser/Öl (grünes Kabel)	Sensor TC water/oil (green cable)	a b c d e n	9391...
18	82.7216	058904	Dichtung Ø8.75x1.78	Sealing Ø8.75x1.78	a b c d e n	until 8301...
	82.7608	OG8507	Dichtung Ø8.30x2.40	Sealing Ø8.30X2.40	a b c d e n	from 8311... to 9381...
	82.7629	OG8680	Dichtung Ø7.5x1.5	Sealing Ø7.5x1.5	a b c d e n	9391...
19	1 701 3044	OK4612	Sechskantmutter M8	Hex nut M8	a b c d e n	
20	712 344852.25	OKW735	Gewindemuffe 3/4" x 36	Turnbuckle 3/4" x 36	a b c d e n	
21	82.7137	OG6974	Doppelnippel 3/4" x40	Double nipple 3/4" x40	a b c d e n	
22	1 117 1294	OG6356	Kugelhahn 3/4"	Ball valve 3/4"	a b c d e n	
23	82.4217	OG6975	Ölsieb Fritteuse 7L	Oil filter 7L	a b c d e n	
24	82.7084	OG6976	Auffangbecken	Container	a b c d e n	
25	82.2059	OG6977	Halter Becken	Container support	a b c d e n	
26	82.0089	OG6978	Führung Becken	Container rail	a b c d e n	
27	1 701 1146	OG6979	Senkkopfschraube M4x16	Countersunk screw M4x16	a b c d e n	until 7391...
28	72.2528	OG6980	Distanzhülse 6mm	Spacer 6mm	a b c d e n	

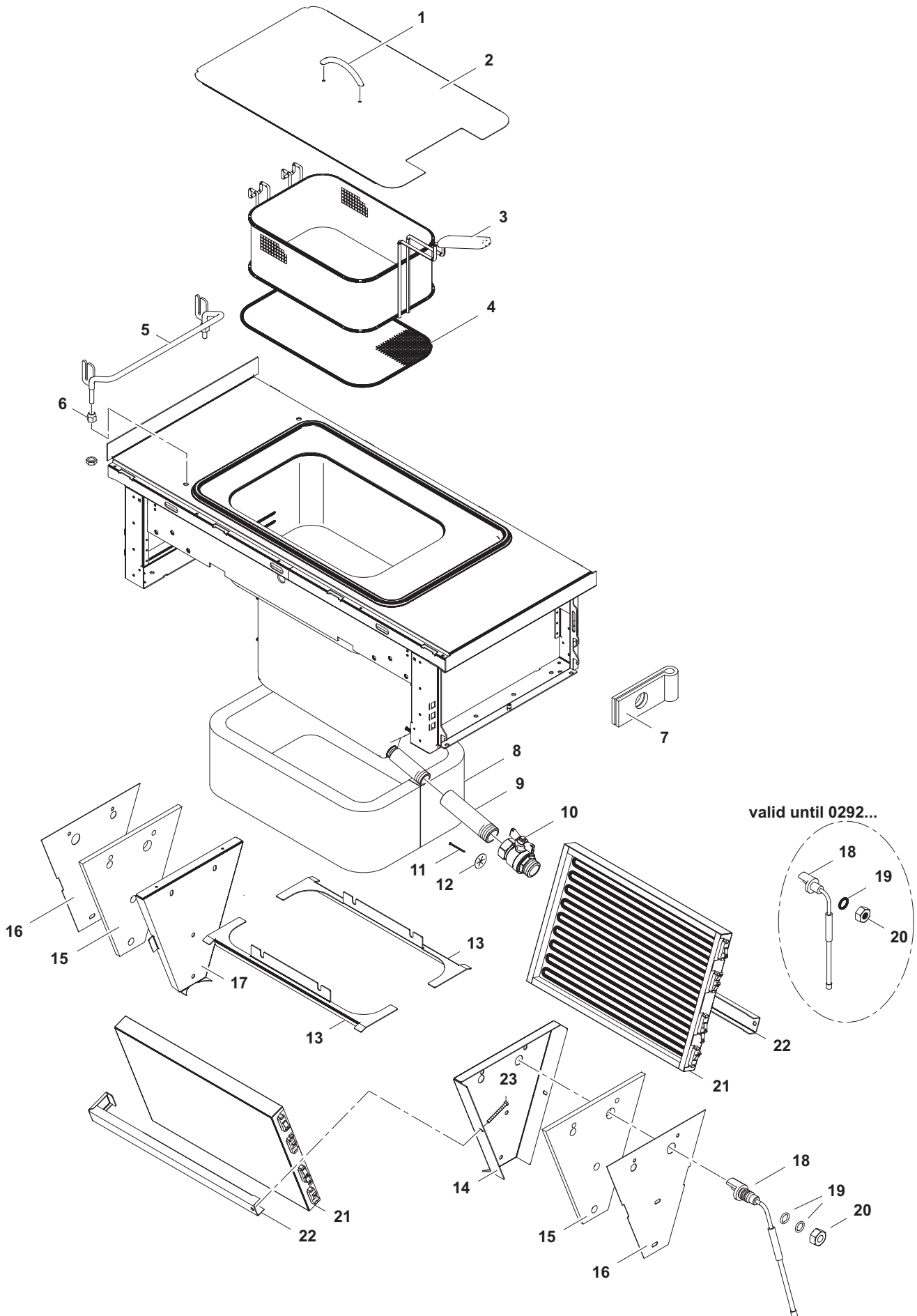


3	Alias	Code	Bezeichnung	Description	Ref.	Valid from Serial N°
1	82.3010	0G7303	Elektrobox	Electrical compartment	f g h i j	
2	82.7023	058613	Klemme FV122	Terminal FV122	f g h i j	
3	712 044961.17	0KT854	Kabeltülle Ø25/Ø31/Ø35x10	Cable: sleeve Ø25/Ø31/Ø35x10	f g h i j o	
4	82.7093	056582	Halter Sicherung	Fuse holder	f g h i j	
5	712 344362.01	0G5814	Sicherung 5x20 1A	Fuse 5x20 1A	f g h i j	
6	75.5000.05	0C3750	Distanzhalter Kunststoff	Plastic spacer support	f g h i j o	
7	82.7014.KD	0G6221	Mainboard SPARTA	Mainboard SPARTA	f g h i j o	
8	1 115 1757	0G4645	Schütz K3-14x027	Conductor K3-14x027	f g h i j o	
	82.9262	0C5051	Schütz K3-32	Contacor K3-32	for USA	
9	82.9093	005941	Sicherheitsthermostat 259°C -20K	Safety thermostat 259°C -20K	f g h i j	
	82.9220	0CA299	Sicherheitsthermostat 260°C-17K	Safety thermostat 260°C-17K	for USA	
10	82.9015	0G6306	Schalter off-melt-lin-stby +10K Potiometer	Switch off-melt-lin-stby +10K potentiometer	f g h i j o	
11	82.7015	0G7091	Eurotas Display	Eurotas Display	f g h i j o	
12	82.1027.64	*	Bedienblende Fritteuse	Control panel	f g i j	
	82.1049.64	*	Bedienblende Fritteuse INOX	Control panel INOX	h	
	72.5938.04	0KI362	Anzeigelampe grün	Indicator light, green	h	
	72.5938.08	0KI364	Einsteckfassung grün/gelb Ø10mm	Lamp holder, green/yellow, Ø10mm	h	
	72.5938.03	0KI361	Anzeigelampe klar	Indicator light, transparent	h	
	72.5938.07	0KI363	Einsteckfassung klar Ø10mm	Lamp holder, transparent, Ø10mm	h	
13	82.7009	0G6247	Dichtung Drehgriff	Sealing for handle	f g h i j o	
	82.7628	0G8603	Dichtung Drehgriff	Sealing for handle	colored M2M	
14	82.6637.01	0G7693	Drehgriff Kpl.	Handle complete kit	f g h i j o	
	82.6638.01	0G8620	Drehgriff Kpl.	Handle complete kit	colored M2M	
15	82.3044	0G7058	Electrobox Marine	Electrical compartment marine	o	
16	82.3032	*	Halter Signalleuchte	Support for indicator light	o	
	72.5938.09	0G2884	Einsteckfassung rot Ø10mm	Lamp holder, red, Ø10mm	o	
	72.5938.11	0G4247	Anzeigelampe, klar (250V)	Indicator light, transparent (250V)	o	
17	82.9217	0G6876	Summer Moflash AE20M-230FA Piezo 230V	Buzzer Moflash AE20M-230FA Piezo 230V	o	
18	879204	0CB130	Halter Sicherung 6.3X32 500V	Fuse holder 6.3X32 500V	o	
19	82.9171	0TTR73	Sicherung 6.3X32 0.63A 500V	Fuse 6.3X32 0.63A 500V	o	
20	82.9212	0G6878	Schlüsselschalter P2-3FBA-20	Key switch P2-3FBA-20	o	
21	879206	0G6877	Relais '62.838.230.0009+06207	Relay '62.838.230.0009+06207	o	
22	75.2012.01	0K5155	Sicherungsklemme	Fuse holder terminal	o	
	75.2012.02	0T2599	Sicherungsklemme Abschlusswand	Cover for fuse holder terminal	o	
23	712 344362.01	0G5814	Sicherung 5x20 1A	Fuse 5x20 1A	o	
	712 344362.02	0G7132	Sicherung 5x20 2.5A	Fuse 5x20 2.5A	for USA	
24	82.9223	003551	RC-Glied 47NF 100Ω	Snubber 47NF 100Ω	o	
25	82.9093	005941	Sicherheitsthermostat 259°C -20K	Safety thermostat 259°C -20K	o	
26	82.7159	0G6274	Ventilator 60x60x25 622HH (3.5W)	Ventilator 60x60x25 622HH (3.5W)	f g h i j o	
27	82.3009	*	Halteblech Ventilator	Cooling fan support	f g h i j o	
	1 701 1083	0G5755	Zylinderschraube M3x30	Socket cap screw M3x30	f g h i j o	
	1 701 3540	2KI478	Unterlegscheibe M3	Washer M3	f g h i j o	
28	82.7023	058613	Klemme FV122	Terminal FV122	f g h i j o	
29	82.9103	0G6424	Kabel: Haupterdraht L400 6mm²	Cable: main earthing L400 6mm²	f g h i j o	
	82.9003	0G6899	Kabel: Potentiometer - Display L200	Cable: Potentiometer - Display L200	f g i j	
	82.9009	0G6906	Kabel: SPARTA - Ventilator L2000	Cable: SPARTA - Ventilator L2000	f g h i j o	
	82.9023	0G6961	Kabel: SPARTA - Display L500	Cable: SPARTA - Display L500	f g i j	
	82.9195	0G6981	Kabel: Schützen - Heizungen	Cable: Conductor - Heating elements	f g h i j	
	82.9047	0G6963	Kabel: X1-F2-K1+K2 (Fryer)	Cable: X1-F2-K1+K2 (Fryer)	f g h i j	
	82.9046	0G6962	Kabel: SPARTA - N - Schalter - P	Cable: SPARTA - N - switch - P	f g h i j	
	82.9035.01	0G6982	Kabel: X0-X1 Hauptzuleitung 5x1.5mm²	Cable: X0-X1 mains 5x1.5mm²	f g h i j	
	82.9049.01	0G6966	Kabel: Anzeigelampen	Cable: indicator lights	h	
	82.9044.01	0G6965	Kabel: SPARTA - Potentiometer L450	Cable: SPARTA - Potentiometer L450	h	
	82.9211		Kabelbaum: Fritteuse 7L/14L Marine	Wiring harness: Fryer 7L/14L Marine	o	
	82.9566		Kabel: UL FRYER 14LT	Cable: UL FRYER 14LT	for USA	

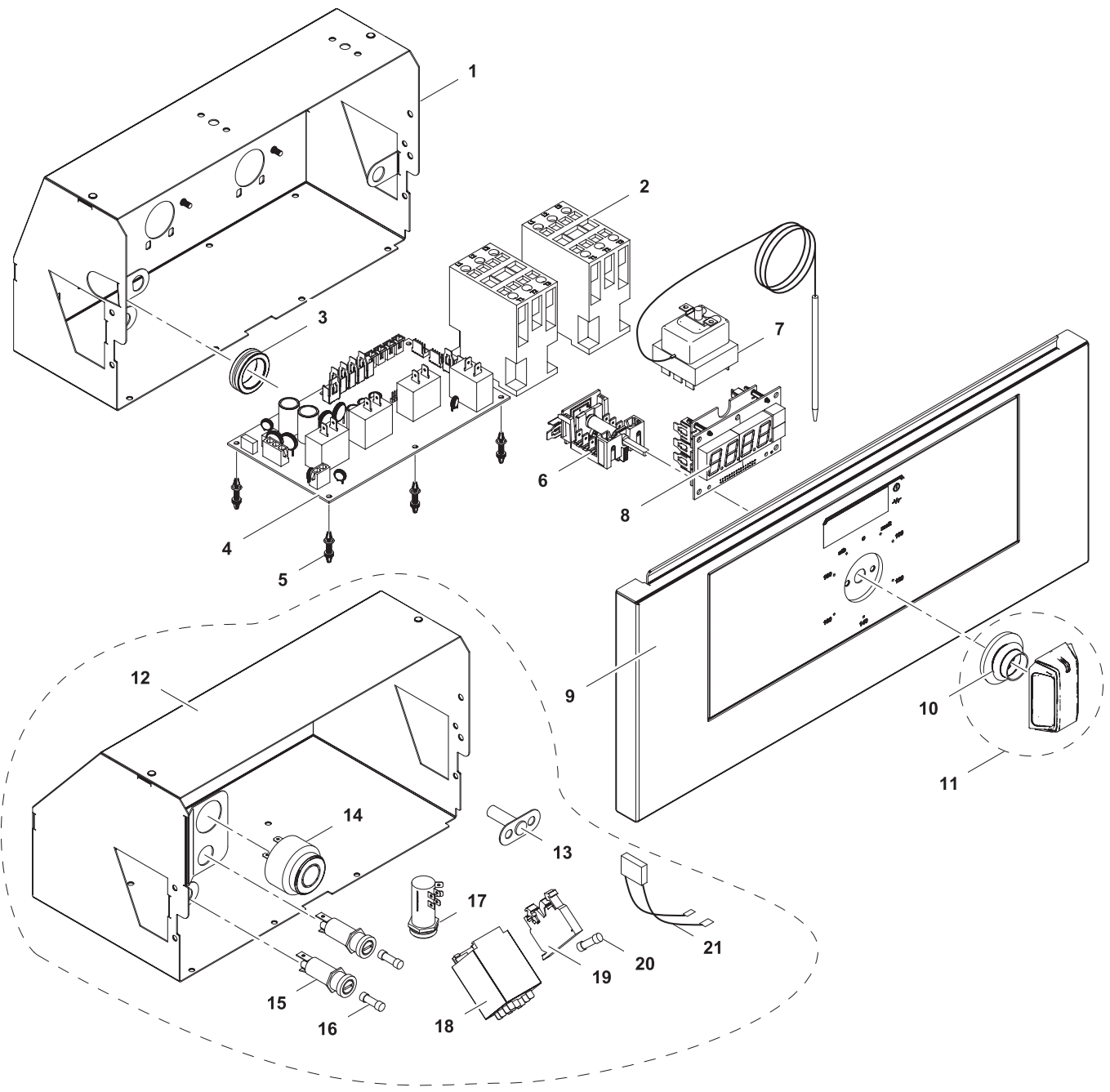
* Components on demand
* Teile auf Anfrage

Doc. № 599A2A800 / 82.8010.03

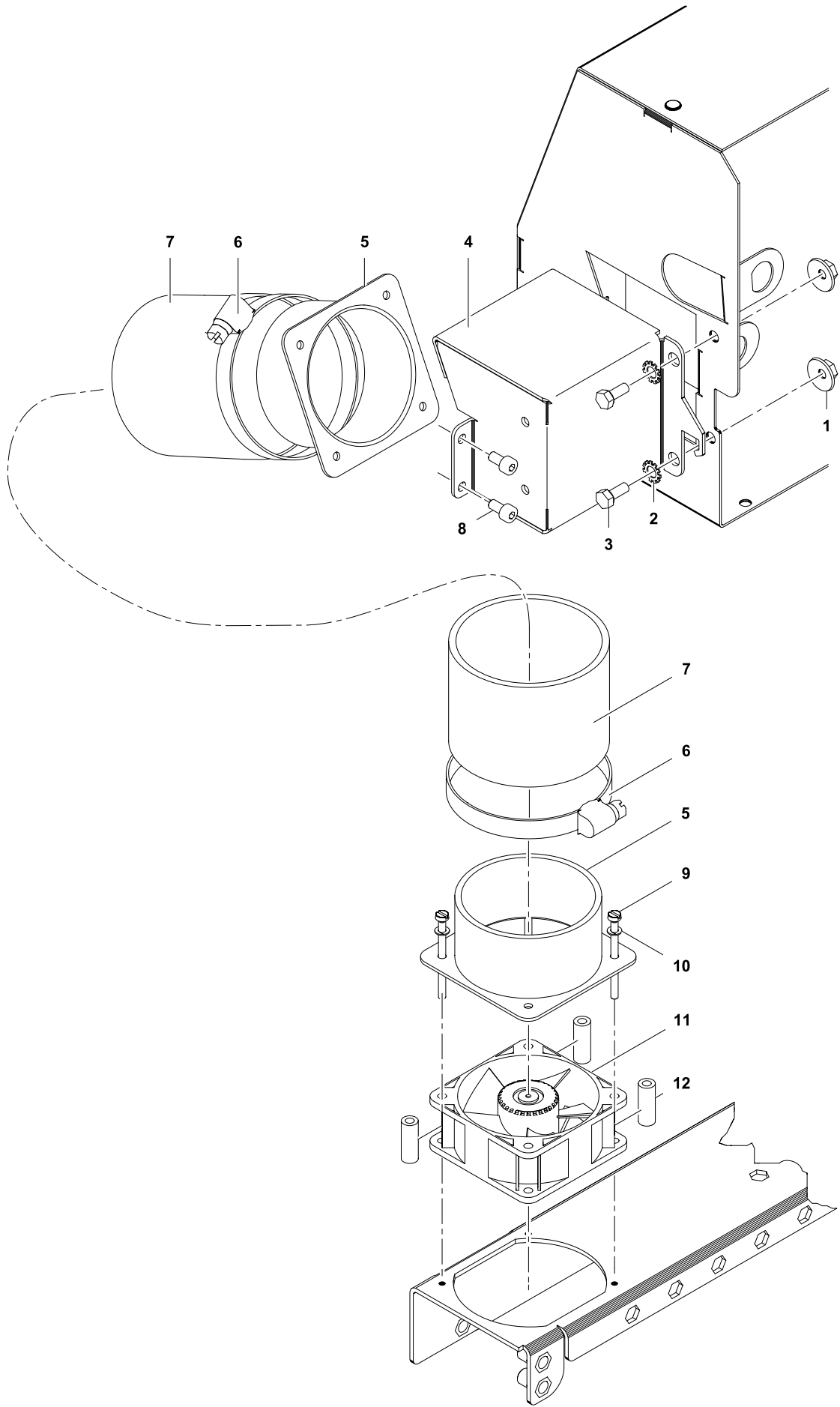
Page: 7



4	Alias	Code	Bezeichnung	Description	Ref.	Valid from Serial N°
1	82.7097	0C0614	Griff für Fritteusendeckel	Handle for fryer lid	f g h i j o	
2	82.2119	0G6968	Deckel 14L Fritteuse	Lid 14L fryer	f g h i j o	
3	82.7369	005933	Frittierkorb	Basket for fryer	f g h i j o	
4	1 701 2748	005932	Schutzfanggitter Fritteuse	Bottom grid fryer	f g h i j o	
5	82.7136	0TTK58	Bügel	Basket hanger	f g h i j o	
6	82.7116	0C6012	Buchse	Fixation	f g h i j o	
7	76.4169	0G2819	Kappilarrohrhalter	Tube holder	f g h i j o	
8	82.7367	0G6983	Isolation	Insulation	f g h i j o	
9	82.7370.02	0G6985	Doppelnippel 3/4" -Y 1.125	Double nipple 3/4" -Y 1.125	f g h i j o	
10	82.7117	0G6724	Kugelhahn 1"	Ball valve 1"	f g h i j o	
11	1 201 1959	0G6987	Nägels Isolation	Insulation nails	f g h i j o	
12	1 201 1961	0G4127	Clips Isoaltion	Insulation clips	f g h i j o	
13	82.2493	*	Verbindungsblech	Connection sheet	f g h i j o	
14	82.2494	*	Halter vorn	Support frontside	f g h i j o	
15	82.7366	0G6988	Isolation	Insulation	f g h i j o	
16	82.2498	*	Isolationsblech	Insulation sheet	f g h i j o	
17	82.2495	*	Halter hinten	Support backside	f g h i j o	
18	82.7174.01	0G6321	Sensor TC Wasser/Öl (grünes Kabel)	Sensor TC water/oil (green cable)	f g h i j o	until 0292...
	82.7615.01	0G8681	Sensor TC Wasser/Öl (grünes Kabel)	Sensor TC water/oil (green cable)	f g h i j o	0302...
19	82.7216	058904	Dichtung Ø8.75x1.78	Sealing Ø8.75x1.78	f g h i j o	until 8301...
	82.7608	0G8507	Dichtung Ø8.30x2.40	Sealing Ø8.30x2.40	f g h i j o	from 8311... to 0292...
	82.7629	0G8680	Dichtung Ø7.5x1.5	Sealing Ø7.5x1.5	f g h i j o	0302...
20	1 701 3044	0K4612	Sechskantmutter M8	Hex nut M8	f g h i j o	
21	82.7475.01	0G6751	Heizung 5kW 230V	Heating element 5kW 230V	f g h i j	
	82.7475.07	0G6883	Heizung 5kW 254V	Heating element 5kW 254V	o	
	82.7475.03	0G6752	Heizung 5kW 208V	Heating element 5kW 208V	for USA	
22	82.2122	0G6972	Halter seitlich	Side fixation	f g h i j o	
23	1 701 1063	0G4361	Sechskantschraube M5x50	Hex bolt M5x50	f g h i j o	

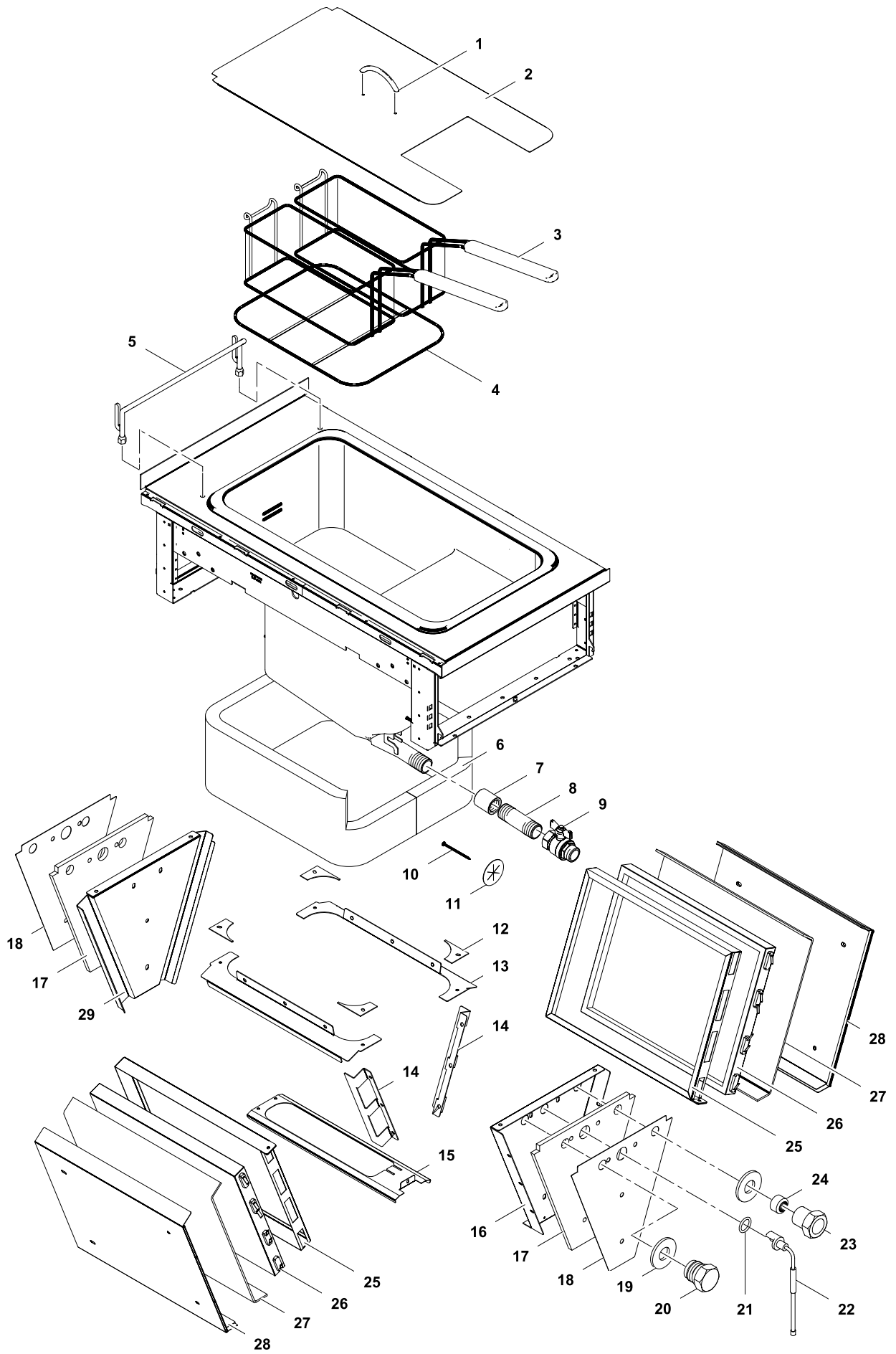


5	Alias	Code	Bezeichnung	Description	Ref.	Valid from Serial N°
1	82.3010	OG7303	Elektrobox	Electrical compartment	k l m	
2	1 115 1758	OG4646	Schütz K3-24x022	Conductor K3-24x022	k l m p	
3	712 044961.17	OKT854	Kabeltülle Ø25/Ø31/Ø35x10	Cable: sleeve Ø25/Ø31/Ø35x10	k l m p	
4	82.7014.KD	OG6221	Mainboard SPARTA	Mainboard SPARTA	k l m p	
5	75.5000	OG4212	Distanzhalter Kunststoff	Plastic spacer support	k l m p	
6	82.9015	OG6306	Schalter off-melt-lin-stby +10K Potiometer	Switch off-melt-lin-stby +10K potentiometer	k l m p	
7	82.9093	005941	Sicherheitsthermostat 259°C -20K	Safety thermostat 259°C -20K	k l m p	
8	82.7015	OG7091	Eurotas Display	Eurotas Display	l m p	
	72.5938.04	OKI362	Anzeigelampe grün	Indicator light, green	k	
	72.5938.08	OKI364	Einsteckfassung grün/gelb Ø10mm	Lamp holder, green/yellow, Ø10mm	k	
	72.5938.03	OKI361	Anzeigelampe klar	Indicator light, transparent	k	
	72.5938.07	OKI363	Einsteckfassung klar Ø10mm	Lamp holder, transparent, Ø10mm	k	
9	82.1027.65	*	Bedienblende Fritteuse	Control panel	l m	
	82.1049.62	*	Bedienblende Fritteuse INOX	Control panel INOX	k	
	82.1027.300	OG6895	Bedienblende Fritteuse Marine	Control panel marine	p	
10	82.7009	OG6247	Dichtung Drehgriff	Sealing for handle	k l m p	
	82.7628	OG8603	Dichtung Drehgriff	Sealing for handle	colored M2M	
11	82.6637.01	OG7693	Drehgriff Kpl.	Handle complete kit	k l m p	
	82.6638.01	OG8620	Drehgriff Kpl.	Handle complete kit	colored M2M	
12	82.3044	OG7058	Elektrobox Marine	Electrical compartment marine	p	
13	82.3032	*	Halter Signalleuchte	Support for indicator light	p	
	72.5938.09	OG2884	Einsteckfassung rot Ø10mm	Lamp holder, red, Ø10mm	p	
	72.5938.11	OG4247	Anzeigelampe, klar (250V)	Indicator light, transparent (250V)	p	
14	82.9217	OG6876	Summer Moflash AE20M-230FA Piezo 230V	Buzzer Moflash AE20M-230FA Piezo 230V	p	
15	879204	OCB130	Halter Sicherung 6.3X32 500V	Fuse holder 6.3X32 500V	p	
16	82.9171	OTTR73	Sicherung 6.3X32 0.63A 500V	Fuse 6.3X32 0.63A 500V	p	
17	82.9212	OG6878	Schlüsselschalter P2-3FBA-20	Key switch P2-3FBA-20	p	
18	879206	OG6877	Relais '62.838.230.0009+06207	Relay '62.838.230.0009+06207	p	
19	75.2012.01	OK5155	Sicherungsklemme	Fuse holder terminal	p	
	75.2012.02	OT2599	Sicherungsklemme Abschlusswand	Cover for fuse holder terminal	p	
20	712 344362.01	OG5814	Sicherung 5x20 1A	Fuse 5x20 1A	p	
21	82.9223	003551	RC-Glied 47NF 100Ω	Snubber 47NF 100Ω	p	
	82.9202	OG7060	Kabel: Marine Fritteuse 23L	Cable: Marine Fryer 23L	p	
	82.9003	OG6899	Kabel: Potentiometer - Display L200	Cable: Potentiometer - Display L200	l m p	
	82.9044.01	OG6965	Kabel: SPARTA - Potentiometer L450	Cable: SPARTA - Potentiometer L450	k	
	82.9009	OG6906	Kabel: SPARTA - Ventilator L2000	Cable: SPARTA - Ventilator L2000	k l m p	
	82.9023	OG6961	Kabel: SPARTA - Display L500	Cable: SPARTA - Display L500	l m p	
	82.9054	OG7181	Kabel: SPARTA - N - Schalter - P (Fritt 23L)	Cable: SPARTA - N - switch - P (Fryer 23L)	k l m	
	82.9048	OG7061	Kabel: Schützen - Heizungen	Cable: Conductor - Heating elements	k l m p	
	82.9049.01	OG6966	Kabel: Anzeigelampen	Cable: indicator lights	k	
	82.9055	OG7062	Kabel: X0 - F2 - K1 + K2 Hauptzuleitung	Cable: X0 - F2 - K1 + K2 mains	k l m	

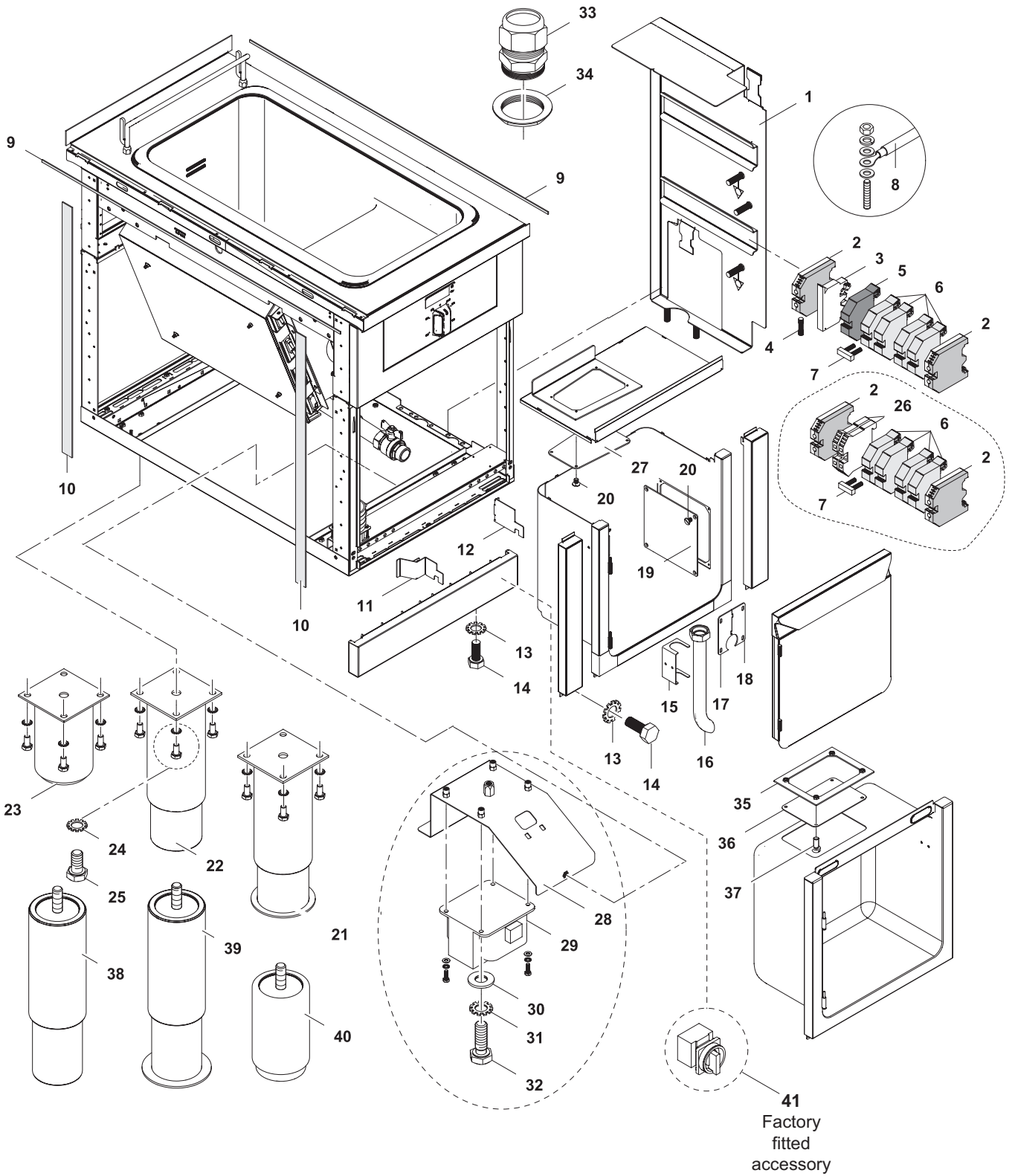


6	Alias	Code	Bezeichnung	Description	Ref.	Valid from Serial N°
1	712 04412005	0G3998	Kepsmutter M5	Hex nut M5	k l m p	
2	1 701 7002	0G2923	Fächerscheibe M5	Fan washer M5	k l m p	
3	1 701 2579	0G4020	Sechskantschraube M5x16	Hex bolt M5x16	k l m p	
4	82.3001	*	Standardventilationsbox links	Ventilation box left	k l m p	
5	82.7550.01	0G7868	Rohrstutzen gerade	Pipe socket straight	k l m p	
6	1 201 2105	0G6754	Schlauchschelle 60-115mm	Hose clamp 60-115mm	k l m p	
7	83.9010	0G6701	Alu-Flexschlauch Ø60/66	Flexible aluminium hose Ø60/66	k l m p	
8	1 101 8170	0G3250	Innensechskantschraube M4x8	Allen bolt M4x8	k l m p	
9	1 701 1083	0G5755	Zylinderschraube M3x30	Socket cap screw M3x30	k l m p	
10	1 701 3540	2KI478	Unterlegscheibe M3	Washer M3	k l m p	
11	82.7159	0G6274	Ventilator 60x60x25 622HH (3.5W)	Cooling fan 60x60x25 622HH (3.5W)	k l m p	
12	82.0133	0G6755	Verstärkungsrohr Ventilator	Cooling fan support	k l m p	

* Components on demand
 * Teile auf Anfrage



7	Alias	Code	Bezeichnung	Description	Ref.	Valid from Serial N°
1	82.7097	0C0614	Griff für Fritteusendeckel	Handle for fryer lid	k l m p	
2	82.2099	0G7063	Deckel 23L Fritteuse	Lid 23L fryer	k l m p	
3	6 001 3280	006133	Frittierkorb 1/2 GN	Basket for fryer 23L	k l m p	
4	1 701 2749	006130	Schutzfanggitter 23L Fritteuse	Bottom grid 23L fryer	k l m p	
5	82.7106	006583	Bügel	Basket hanger	k l m p	
6	82.2268	0G7064	Isolation	Insulation	k l m p	
7	82.7113	0G7065	Gewindemuffe 1x43mm	Turnbuckle 1x43mm	k l m p	
8	82.7339.02	0G7914	Doppelnippel 1", L=150mm	Double nipple 1", L=150mm	k l m p	
9	82.7117	0G6724	Kugelhahn 1"	Ball valve 1"	k l m p	
10	1 201 1959	0G6987	Nägels Isolation	Insulation nails	k l m p	
11	1 201 1961	0G4127	Clips Isoaltion	Insulation clips	k l m p	
12	82.2096	0G7067	Abschlussplatte	Cover sheet	k l m p	
13	82.2092	0G7068	Supportblech	Support sheet	k l m p	
14	82.2095	0G7069	Fixation	Fixation	k l m p	
15	82.2093	0G7070	Halter unten	Support bottom	k l m p	
16	82.2091	0G7071	Halter vorn	Support frontside	k l m p	
17	82.7225	0G7072	Isolation	Insulation	k l m p	
18	82.2267	0G7073	Isolationsblech	Insulation sheet	k l m p	
19	82.7123	0TTK28	Isolation rund Ø35 ø15 x 3	Flat seal Ø35 ø15 x 3	k l m p	
20	82.2281	0G7074	Zapfen M12x1	Stopper M12x1	k l m p	
21	82.7216	058904	O-Ring Ø8.75x1.78	O-ring Ø8.75x1.78	k l m p	until 8301...
	82.7608	0G8507	O-Ring Ø8.30x2.40	O-ring Ø8.30x2.40	k l m p	8311...
22	82.7174.01	0G6321	Sensor TC Wasser/Öl (grünes Kabel)	Sensor TC water/oil (green cable)	k l m p	
23	82.7119	002076	Verschraubung Ø6mm	Fitting Ø6mm	k l m p	
24	82.7120	002075	Dichtung Ø6mm	Seal Ø6mm	k l m p	
25	82.2094	0G7075	Befestigungsrahmen	Fixation frame	k l m p	
26	82.2378	0G6475	Heizung 9kW 400V	Heating element 9kW 400V	k l m	
	82.7496	0G7059	Heizung 9kW 440V	Heating element 9kW 440V	p	
27	82.7233	0G7076	Isolation seitlich	Insulation sides	k l m p	
28	82.2245	0G7077	Halteblech Isolation seitlich	Support sheet insulation	k l m p	
29	82.2090	0G7078	Halter hinten	Support backside	k l m p	



8	Alias	Code	Bezeichnung	Description	Ref.	Valid from Serial N°
1	82.3030	*	Terminal	Terminal holder	k l m p	
	82.3051	0G7430	Terminal	Terminal holder	k l m p	5271....
2	75.2011.03	0KX291	Schutzleiterklemme gelb/grün	Protective-conductor terminal yellow/green	k l m p	
3	75.2012.01	0K5155	Sicherungsklemme	Fuse holder terminal	k l m	
	75.2012.02	0T2599	Abschlusswand Sicherungsklemme	Cover for fuse holder terminal	k l m	
4	712 344362.01	0G5814	Sicherung 5x20 1 00A	Fuse 5x20 1 00A	k l m	
5	75.2010.41	0G3488	Nullleiterklemme blau	Neutral wire terminal (blue)	k l m	
6	75.2010.40	0K1280	Reihenblock grau	Terminal block	k l m p	
7	75.2010.44	0KT731	Querverbinder	Cross connection	k l m p	
8	82.9103	0G6424	Kabel: Haupterdtraht L=400 6mm²	Cable: main earthing L=400 6mm²	all Types	
9	82.7464	0C2496	Dichtband (Schaumstoff-Silikon, klebend)	Sealing strip	all Types	
10	82.7467	0C7307	Dichtung 5mm	Sealing sides 5mm	all Types	5101....
11	82.0113.01	0G7386	Leitblech links H700	Aeration sheet left H700	H700	
	82.0113.11	0G7387	Leitblech links H800	Aeration sheet left H800	H800	
12	82.0114.02	0G7055	Abgrenzungsblech Frischluft rechts H700	Fresh air shield right H700	k l p	
	82.0114.12	0G7056	Abgrenzungsblech Frischluft rechts H800	Fresh air shield right H800	m	
13	1 701 7002	0G2923	Fächerscheibe M5	Fan washer M5	all types	
14	1 701 2507	0G4653	Sechskantschraube M5x16	Hex bolt M5x16	all types	
15	82.2379	0G7079	Haltewinkel Ölablass	Holder oil outlet pipe	all types	
16	82.7118	0C7974	Ölablass 14L/23L	Oil outlet pipe 14L/23L	14L/23L	
17	82.2602	*	Rosette Ablaufhahn links 23L	Cover sheet left 23L	23L D900	
	82.2254	*	Rosette Ablaufhahn links 14L / 23L	Cover sheet left 14L / 23L	14/23L D850	
	82.2591	*	Rosette Ablaufhahn links 14L	Cover sheet left 14L	14L D800	
	82.2826	*	Rosette Ablaufhahn links 14L	Cover sheet left 14L	14L D900	
	82.1206	*	Rosette Ablaufhahn links	Cover sheet left	f g i j k o	6481....
	82.1204	*	Rosette Ablaufhahn links T900	Cover sheet left D900	l m p	6481....
18	82.2601	*	Rosette Ablaufhahn rechts 23L	Cover sheet right 23L	23L D900	
	82.2253	*	Rosette Ablaufhahn rechts 14L / 23L	Cover sheet right 14L / 23L	14/23L D850	
	82.2590	*	Rosette Ablaufhahn rechts 14L	Cover sheet right 14L	14L D800	
	82.2827	*	Rosette Ablaufhahn rechts 14L	Cover sheet right 14L	14L D900	
	82.1205	*	Rosette Ablaufhahn rechts	Cover sheet right	f g i j k o	6481....
	82.1203	*	Rosette Ablaufhahn rechts T900	Cover sheet right D900	l m p	6481....
19	82.0223.01	0G6757	Deckel Servicefenster	Cover plate	all types	
20	1 701 1145	0G6758	Senkkopfschraube M4x6	Countersunk screw M4x6	all types	
21	83.3728	0G6886	Stellfuß 2" Marine 145-252mm	Adjustable feet 2" Marine 145-252mm	n p o	
22	86.0001	0G5391	Stellfuß 2" 145-252mm rund	Adjustable feet 2" 145-252mm, round	H700	
23	86.2385	0G6140	Stellfuß 2" 100mm	Adjustable feet 2" 100mm	H800	
24	1 701 5051	0G6753	Fächerscheibe M6	Fan washer M6	all types	
25	1 701 2600	0KT919	Sechskantschraube M6x12	Hex bolt M6x12	all types	
26	75.2010.20	0G7080	Reihenglocke grau	Terminal block grey	p	
	75.2010.22	0G4377	Abschlusswand zu Reihenglocke	Cover for terminal block	p	
27	83.3798	0G7081	Deckel Servicefenster Marine	Service cover plate (Marine)	n p o	
28	82.3029	0G7057	Halteblech	Metal support	n p o	
29	82.9209	006710	Autotransformer 0-240-400-440V - 150VA	Autotransformer 0-240-400-440V - 150VA	n p o	
30	1 701 3502	0G3595	Unterlegscheibe M4	Washer M4	n p o	
31	1 701 7060		Fächerscheibe M4	Fan washer M4	n p o	
32	1 701 2629	0G5854	Sechskantschraube M4x12	Hex bolt M4x12	n p o	
33	82.2908	0C0068	Kabelverschraubung PG21	Cable gland PG21	all types	
34	82.9226	0G7024	Gegenmutter Kabelverschraubung PG21	Lock nut PG21	all types	
35	82.0292		Rahmen Servicefenster Marine	Frame service window	o p	6491....
36	82.0293		Deckel Servicefenster Marine	Cover plate service window	o p	6491....
37	1 701 1069	0G6959	Flachkopfschraube M5x12	Flat head scrw M5x12	o p	6491...
38	82.0350.01	0G7958	Fuss M10 200mm	Foot M10 200mm	H700	7141...
39	82.0350.03		Fuss M10 200mm Marine	Foot M10 200mm Marine	n p o	7141...
40	82.0350.02	0G7957	Fuss M10 100mm	Foot M10 100mm	H800	7141...
41	76.9164.01	0G2137	Hauptschalter 25A	Main switch 25A	7L/14L, H800	8041....
41	76.9164.02	0K4979	Hauptschalter 63A	Main switch 63A	23L, H800	8041....

* Components on demand
* Teile auf Anfrage

Doc. № 599A2A800 / 82.8010.03

Page: 17