

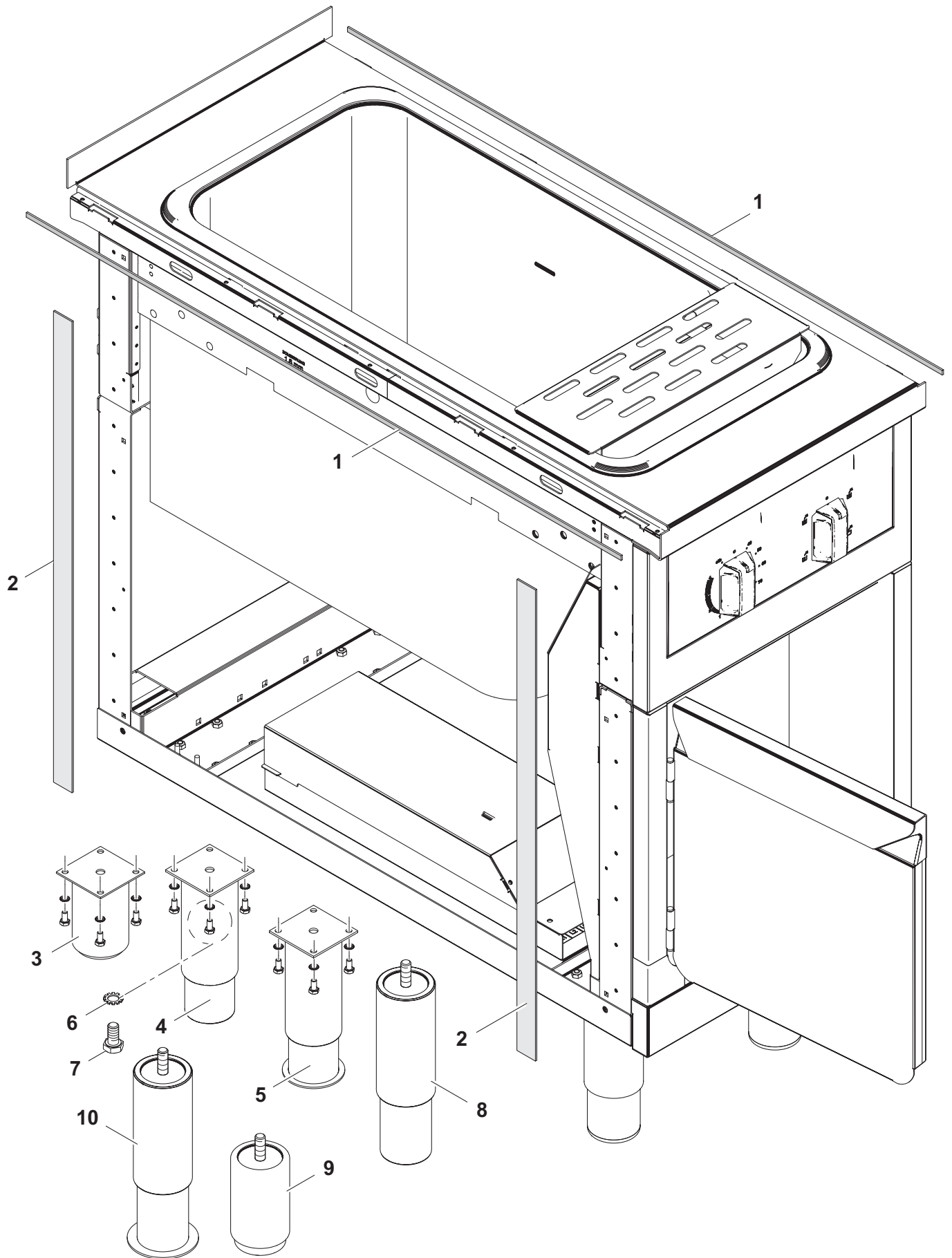
THERMALINE 80/85/90

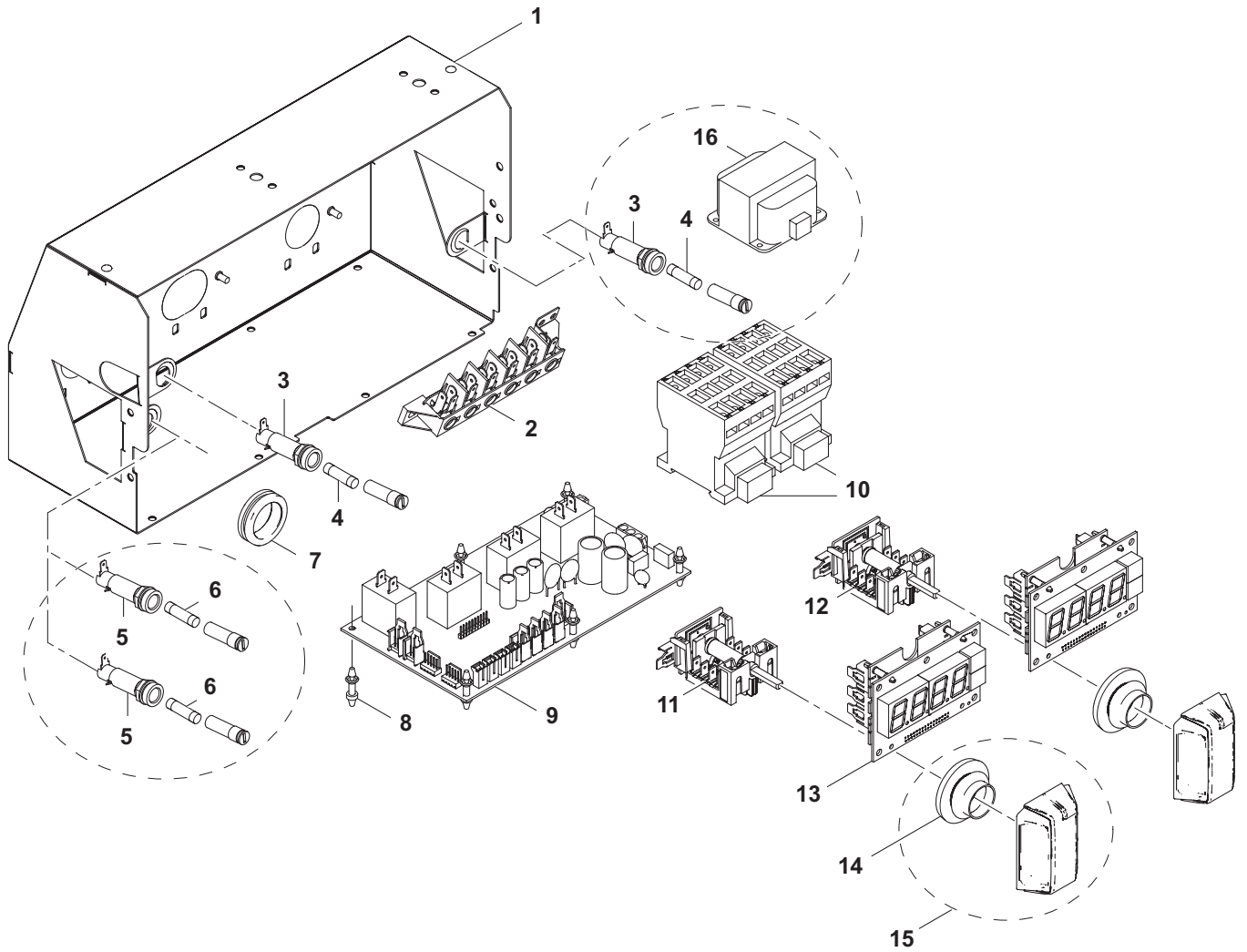
DE ELEKTRISCHE NUDELKOCHER 20L/40L
EN ELECTRIC PASTA COOKER 20L/40L

PNC	Factory Model	Ref.	Description
588205	MAKCEADDAO	a	20L, 400X800X700H
588206	MAKCEBDDAO	a	20L, C-BOARD, 400X800X700H
588291	MAKCFADDAO	b	20L, 400X800X800H
588292	MAKCFBDDAO	b	20L, C-BOARD, 400X800X800H
588625	MBKCEBDDAO	c	20L, C-BOARD, 400X850X700H
589471	MCKCEADDAO	d	20L, 400X900X700H
589472	MCKCEBDDAO	d	20L, C-BOARD, 400X900X700H
589475	MCKCFADDAO	e	20L, 400X900X800H
589476	MCKCFBDDAO	e	20L, C-BOARD, 400X900X800H
588627	MBKEGBDDAO	f	40L, C-BOARD, 400X850X700H
589292	MCKEEADDAO	g	40L, 400X900X700H
589293	MCKEEBDDAO	g	40L, C-BOARD, 400X900X700H
589449	MCKEFADDAO	h	40L, 400X900X800H
589450	MCKEFBDDAO	h	40L, C-BOARD, 400X900X800H
589865	MCKCEADDDM	k	MARINE* 20L, 400X900X700H
589864	MCKEEADDDM	m	MARINE* 40L, 400X900X700H

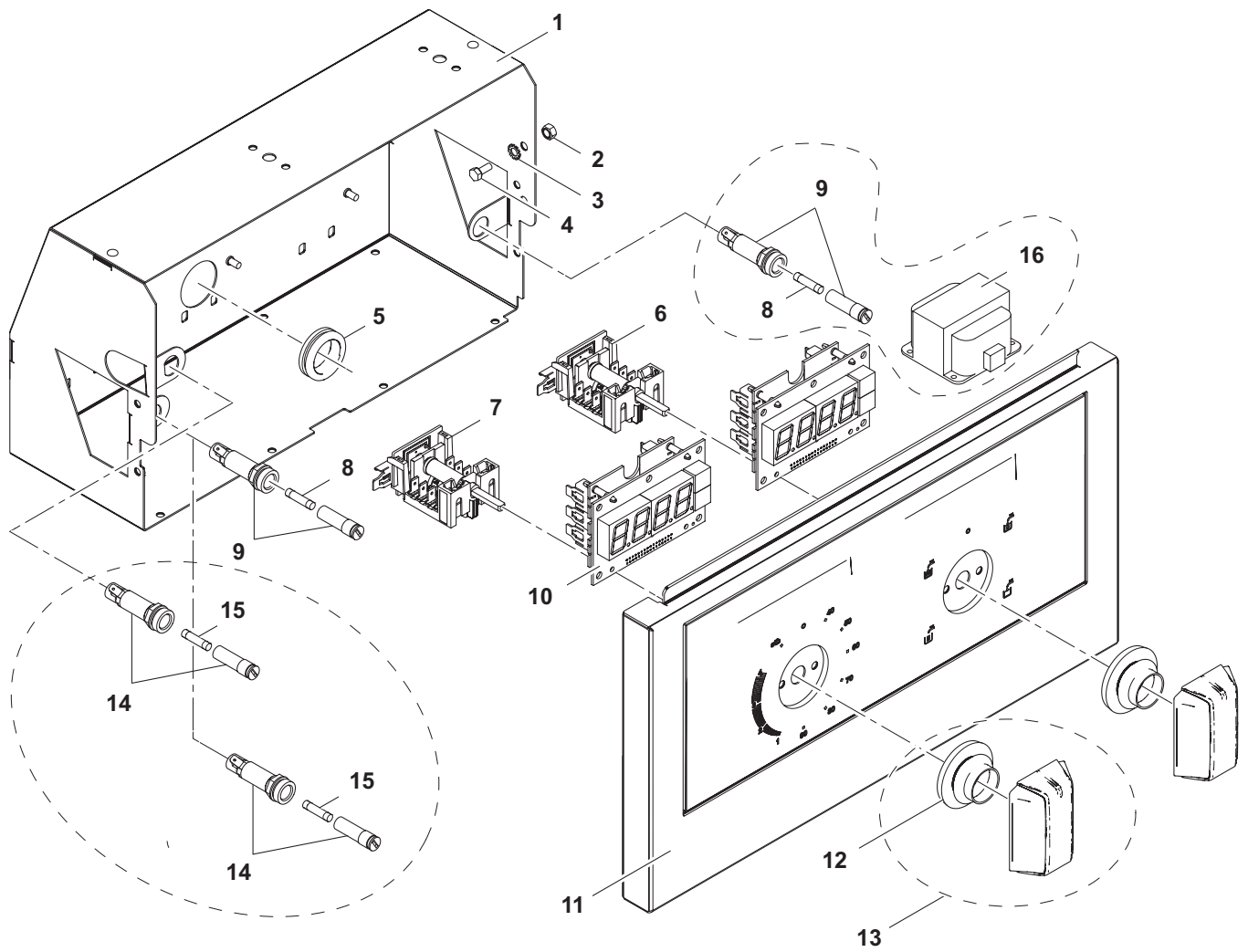
Page	Index	Last Updates	Page	Pos.
2	Feet and joints 20/40L	12/2015	all	
4	Electrical compartment 20 litre	12/2016	2	
6	Electrical compartment 40 litre	11/2017	5	8, 9
8	Mechanical module (FMM) 20 litre	11/2017	6	5
10	Mechanical module (FMM) 40 litre	11/2017	7	14
12	Water connections (FMW) 20/40 litre	01/2018	7, 11, 13, 15	added spare parts for USA
14	Base 20/40 litre	05/2018	13 / 15	11, 18-19a / 22
		11/2018	9 / 11	5 / 14
		12/2018	5 / 7	15 / 13
		03/2019	9	10, 11, 12, 13, 14, 15, 19
			11	15, 16, 17
		05/2019	5 / 7	14, 15 / 12, 13

Valid from Ser. № 3101....

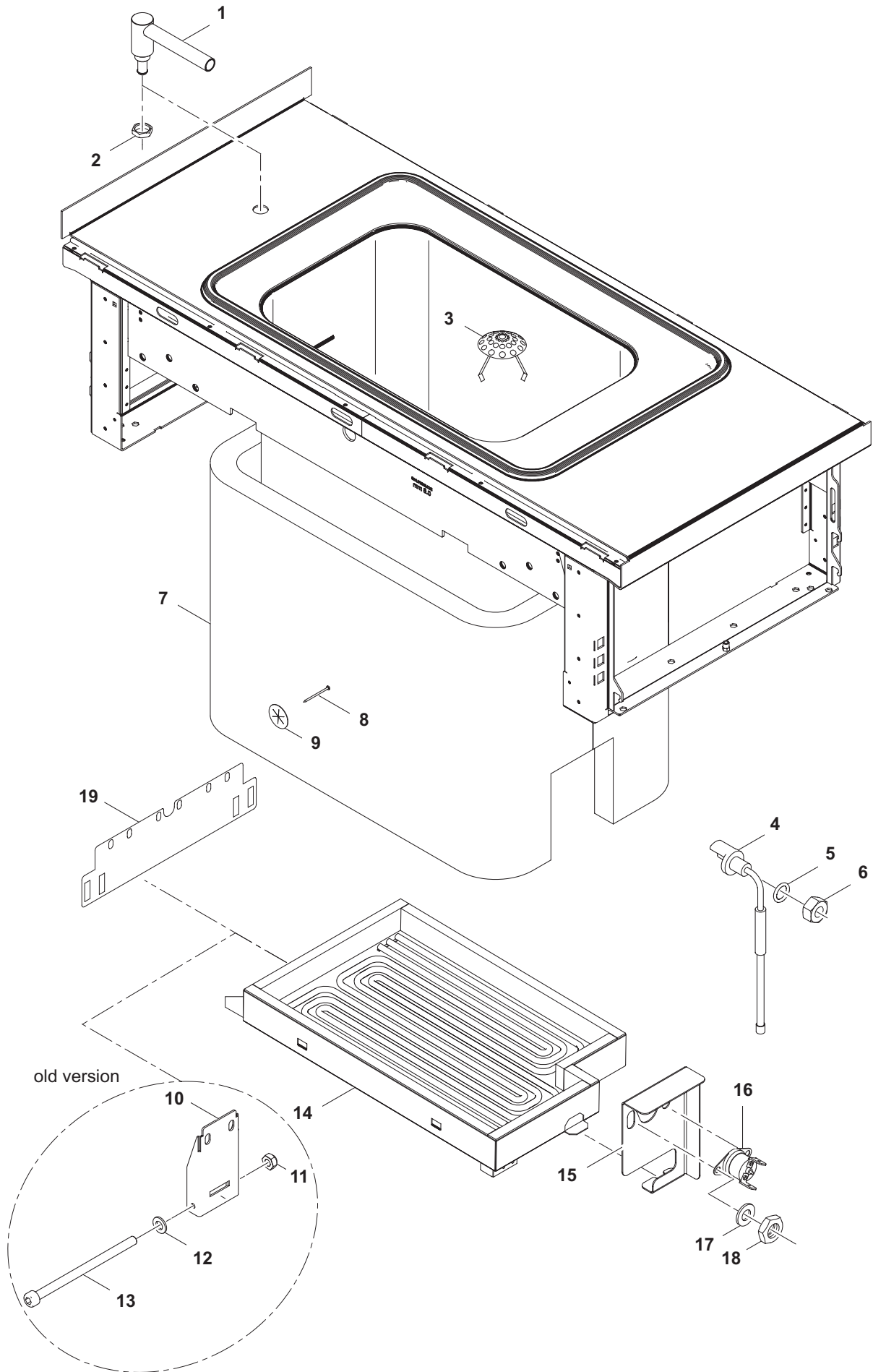




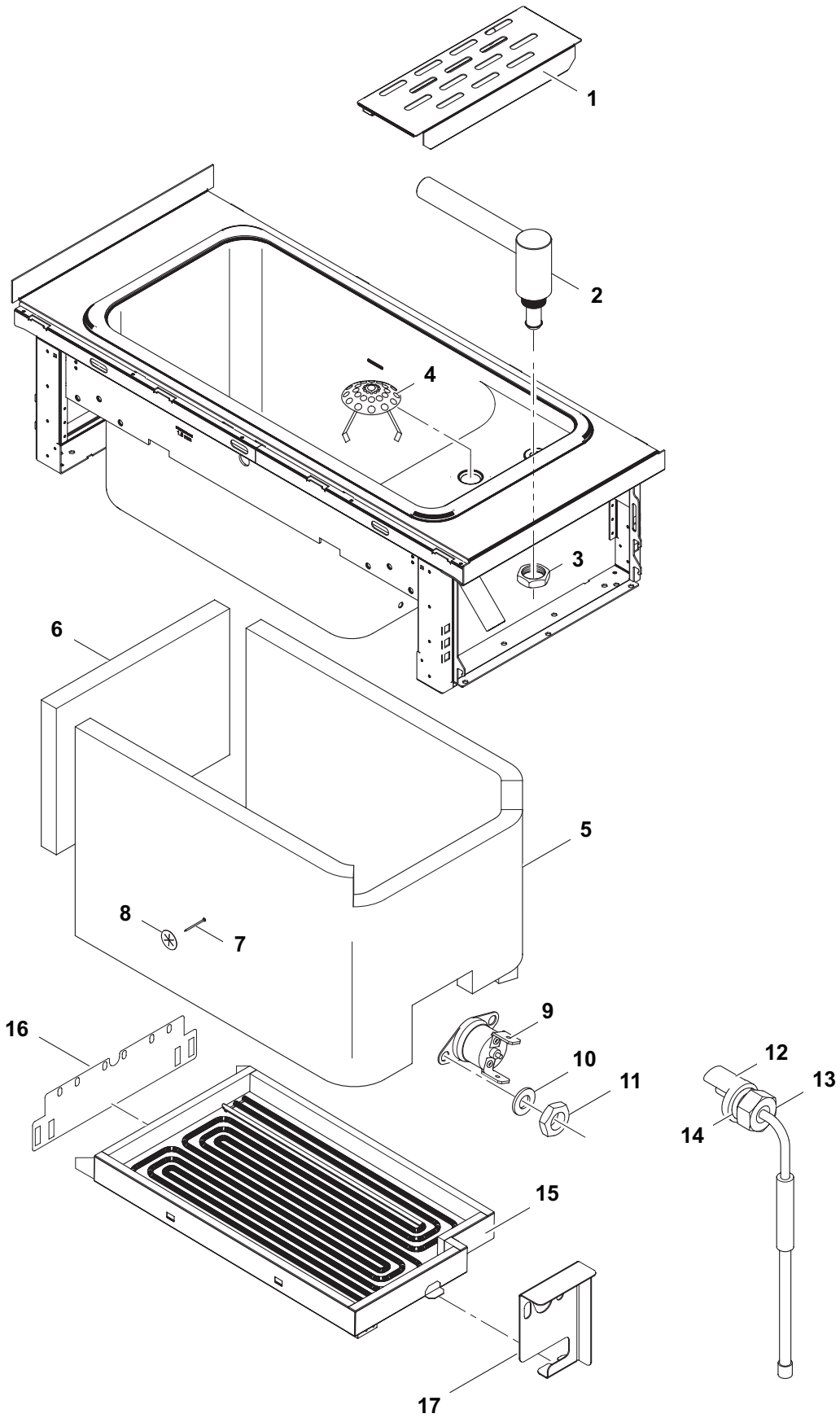
2	Alias	Code	Bezeichnung	Description	Ref.	Valid from Serial N°
1	82.3010	0G7303	Elektrobox	Electrical compartment	a b c d e k	
2	82.7023	058613	Klemme FV122	Cable terminal FV122	a b c d e	
3	82.7093	056582	Halter Sicherung	Fuse holder	a b c d e k	
4	712 344362.01	0G5814	Sicherung 5x20 1 00A	Fuse 5x20 1 00A	a b c d e k	
5	879204	0CB130	Halter Sicherung 6.3x32 500V	Fuse holder 6.3x32 500V	k	
6	82.9171	0TTR73	Sicherung 6.3x32 0.63A 500V	Fuse 6.3x32 0.63A 500V	k	
7	712 044961.17	0KT854	Kabeltülle Ø25/Ø31/Ø35x10	Cable sleeve Ø25/Ø31/Ø35x10	a b c d e k	
8	75.5000	0G4212	Distanzhalter munststoff	Plastic spacer support	a b c d e k	
9	82.7014.KD	0G6221	Mainboard SPARTA	Mainboard SPARTA	a b c d e k	
10	1 115 1757	0G4645	Schütz K3-14x027	Conductor K3-14x027	a b c d e k	
11	82.9018	0G6310	Schalter off-line 5 Stufen + 10K Potentiometer	Switch off-line 5 steps + 10k potentiometer	a b c d e k	
12	82.9016	0G6307	Schalter off-4 Stufen + 10K Potentiometer	Switch off-line 4 steps + 10k potentiometer	a b c d e k	
13	82.7015	0G6246	Eurotas-Display	Eurotas-Display	a b d e k	
	72.5938.04	0KI362	Anzeigelampe grün	Indicator light, green	c	
	72.5938.08	0KI364	Einsteckfassung grün/gelb Ø10mm	Lamp holder, green/yellow, Ø10mm	c	
14	82.7009	0G6247	Dichtung Drehgriff	Sealing for handle	a b c d e	
	82.7628	0G8603	Dichtung Drehgriff	Sealing for handle	colored M2M	
15	82.6637.01	0G7693	Drehgriff Kpl.	Handle complete kit	a b c d e	
	82.6638.01	0G8620	Drehgriff Kpl.	Handle complete kit	colored M2M	
16	82.9209	006710	Autotransformator 0-240-400-440V - 150VA	Autotransformer 0-240-400-440V - 150VA	k	
	82.9000	0G6902	Kabel: X1-K1-K2	Cable: X1-K1-K2	a b c d e	
	82.9023	0G6961	Kabel: Sparta - Display (L 500mm)	Cable: sparta - display (L 500mm)	a b d e	
	82.9044.01	0G6965	Kabel: Sparta - Potentiometer (L 450mm)	Cable: sparta - potentiometer (L 2000mm)	c	
	82.9002	0G6897	Kabel: Display - Display (L 290mm)	Cable: display - display (L 290mm)	a b d e	
	82.9038.02	0G7183	Kabel: Anzeigelampe S2-H2-x1.N	Cable: indicator light S2-H2-x1.N	c	
	82.9003	0G6899	Kabel: Potentiometer - Display (L 200mm)	Cable: potentiometer - display (L 200MM)	a b d e	
	82.9005	0G6729	Kabel: Sicherheitstherm. - F1 - Schalter	Cable: safety therm. - F1 - switch	a b c d e	
	82.9007.01	0G7363	Kabel: Sparta-Valve different L1400	Cable: Sparta-Valve different L1400	a b c d e	
	82.9061.01	0G7364	Kabel: Sparta-Drucksensor B3 Huba L800	Cable: Sparta-pressure sensor B3 Huba L800	a b c d e	
	82.9009	0G6906	Kabel: Sparta-Ventilator	Cable: Sparta - ventilator	a b c d e	
	82.9037	0G7304	Kabel: Schalter - N - Schalter - P (PC)	Cable: Switch - N - switch - P (PC)	a b c d e	
	82.9035.01	0G6982	Kabel: X0-X1 Hauptzuleitung L1500	Cable: X0-X1 Mains connectio L1500	a b c d e	
	82.9232	0G7325	Kabelbaum Pasta Cooker 20L Marine	Wiring harness Pasta Cooker 20L Marine	k	



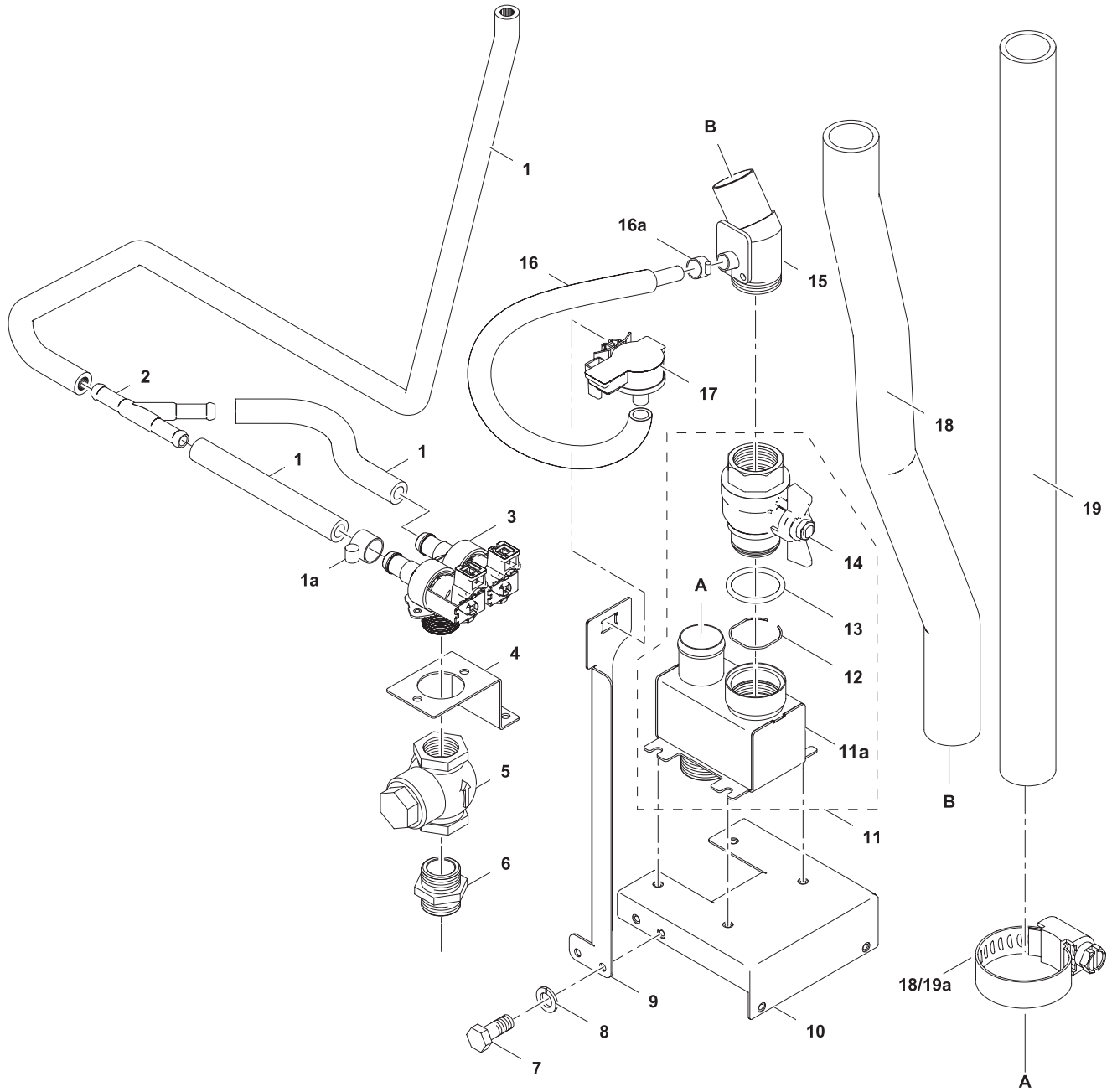
3	Alias	Code	Bezeichnung	Description	Ref.	Valid from Serial N°
1	82.3010	0G7303	Elektrobox	Electrical compartment	f g h m	
2	1 701 3008	0G6111	Sechskantmutter M5	Hex nut M5	f g h m	
3	1 701 7002	0G2923	Fächerscheibe M5	Fan washer M5	f g h m	
4	1 701 2507	0G4653	Sechskantschraube M5x10	Hex bolt M5x10	f g h m	
5	712 044961.17	0KT854	Kabeltülle Ø25/Ø31/Ø35x10	Cable sleeve Ø25/Ø31/Ø35x10	f g h m	
6	82.9016	0G6307	Schalter off-4 Stufen + 10K Potentiometer	Switch off-line 4 steps + 10k potentiometer	f g h m	
7	82.9018	0G6310	Schalter off-line 5 Stufen + 10K Potentiometer	Switch off-line 5 steps + 10k potentiometer	f g h m	
8	712 344362.01	0G5814	Sicherung 5x20 1 00A	Fuse 5x20 1 00A	f g h m	
9	82.7093	056582	Halter Sicherung	Fuse holder	f g h m	
10	82.7015	0G6246	Eurotas-Display	Eurotas-Display	g h m	
	72.5938.04	OKI362	Anzeigelampe grün	Indicator light, green	f	
	72.5938.08	OKI364	Einsteckfassung grün/gelb Ø10mm	Lamp holder, green/yellow, Ø10mm	f	
	72.5938.10	0G8192	Glimmlampe grün UL	Indicator light green UL	for USA	
11	82.1027.62	*	Bedienblende Pastakoher	Control panel pasta cooker	g h m	
	82.1049.62	*	Bedienblende Pastakoher INOX	Control panel pasta cooker INOX	f	
	82.1027.208	0G8199	Bedienblende Pastakoher °F	Control panel pasta cooker °F	for USA	
12	82.7009	0G6247	Dichtung Drehgriff	Sealing for handle	f g h m	
	82.7628	0G8603	Dichtung Drehgriff	Sealing for handle	Colored M2M	
13	82.6637.01	0G7693	Drehgriff Kpl.	Handle complete kit	f g h m	
	82.6638.01	0G8620	Drehgriff Kpl.	Handle complete kit	Colored M2M	
14	879204	0CB130	Halter Sicherung 6.3x32 500V	Fuse holder 6.3x32 500V	k	
15	82.9171	0TTR73	Sicherung 6.3x32 0.63A 500V	Fuse 6.3x32 0.63A 500V	k	
16	82.9209	006710	Autotransformator 0-240-400-440V - 150VA	Autotransformer 0-240-400-440V - 150VA	k	
	82.9001	0G6461	Kabel: Sparta - Display (L 2200mm)	Cable: sparta - display (L 2200mm)	g h m	
	82.9044.02	0G6181	Kabel: Sparta - Potentiometer (L 2000mm)	Cable: sparta - potentiometer (L 2000mm)	f	
	82.9002	0G6897	Kabel: Display - Display (L 290mm)	Cable: display - display (L 290mm)	g h m	
	82.9045	0G6898	Kabel: Anzeigelampe (L 2000mm)	Cable: indicator light (L 2000mm)	f	
	82.9003	0G6899	Kabel: Potentiometer - Display (L 200mm)	Cable: potentiometer - display (L 200MM)	g h m	
	82.9005	0G6729	Kabel: Sicherheitstherm. - FI - Schalter	Cable: safety therm. - FI - switch	f g h m	
	82.9193	0G6900	Kabel: Elektrobox Marine	Cable: electrical compartment Marine	k	
	82.9529	0G8196	Kabel: UL Sparta - Display (L 2200mm)	Cable: UL sparta - display (L 2200mm)	D800/900 for USA	
	82.9530	0G8188	Kabel: UL Display - Display (L 290mm)	Cable: UL display - display (L 290mm)	D800/900 for USA	
	82.9531	0G8189	Kabel: UL Potentiometer-Display (L 200mm)	Cable: UL potentiometer-display (L 200mm)	D800/900 for USA	
	82.9532	0G8197	Kabel: UL Sicherheitstherm.-FI-Schalter	Cable: UL safety therm.-FI-switch	for all USA	



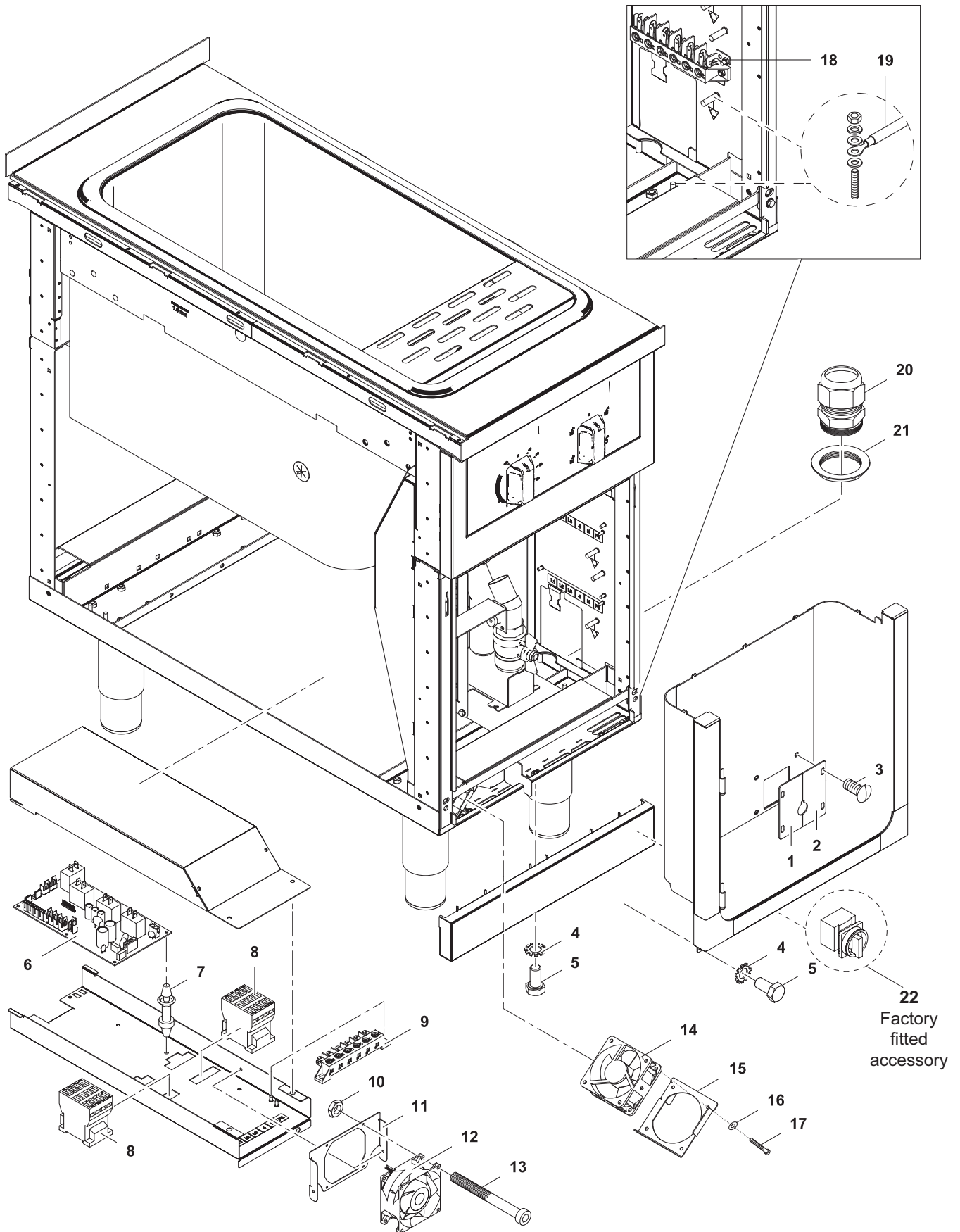
4	Alias	Code	Bezeichnung	Description	Ref.	Valid from Serial N°
1	82.7036	0C5567	Wasserhahn	Water tap	a b c d e k	
2	87.4749	0G6909	Mutter G 3/8"	Nut G 3/8"	a b c d e k	
3	72.2973.96	0KT762	Überlaufsieb für Nudelkocher	Overflow filter	a b c d e k	
4	82.7174.01	0G6321	Sensor TC Wasser/Öl	Sensor TC water/oil	a b c d e k	
5	82.7216	058904	Flachdichtung Ø8.75x1.78	Flat seal Ø8.75x1.78	a b c d e k	until 8301...
	82.7608	0G8507	Flachdichtung Ø8.30x2.40	Flat seal Ø8.30x2.40	a b c d e k	8311...
6	1 701 3044	0K4612	Sechskantmutter M8	Hex nut M8	a b c d e k	
7	82.2032.01	0G7305	Isolation PC20L	Insulation PC20L	a b c d e k	
8	1 201 1959	0G6987	Nägels für Isolation	Nails for insulation	a b c d e k	
9	1 201 1961	0G4127	Clips für Isolation	Clips for insulation	a b c d e k	
10	82.2015	*	Halter Heizelement 20L+40L	Support	a b c d e k	until 8391...
11	1 701 1078	0G5620	Mutter M5	Nut M5	a b c d e k	until 8391...
12	1 701 3535	0G3588	Unterlegscheibe M5	Washer M5	a b c d e k	until 8391...
13	1 701 2087	0G7306	Innensechskantschraube M5x80	Allen screw M5x80	a b c d e k	until 8391...
14	82.7037.01	0G6276	Heizelement PC20L 400V/3N 6kW	Heating element PC20L 400V/3N 6kW	a b c d e	until 8391...
	82.7037.04	0G7326	Heizelement PC20L 440V/3- 6kW	Heating element PC20L 440V/3-N 6kW	k	until 8391...
	82.3256.01	0G8404	Heizelement PC 20LT. 400V	Heating element PC20L 400V	a b c d e	8401...
	82.3256.04	0G8405	Heizelement PC20L 440V (marine)	Heating element PC20L 440V (marine)	k	8401...
15	82.2016.01	*	Halter Heizelement	Support Heating Element	a b c d e k	until 8391...
	82.3255	0CB475	Halter Heizelement Vorne 20L+40L	Front support heating element	a b c d e k	8401...
16	82.7049	0C6155	Temperatur-Thermostat 120°	Temperature thermostat 120°	a b c d e k	
17	1 701 3535	0G3588	Unterlegscheibe M5	Washer M5	a b c d e k	
18	1 701 3008	0G6111	Sechskantmutter M5	Hex nut M5	a b c d e k	
19	82.3254	0CB474	Halter Heizelement Hinten 20L+40L	Back support heating element	a b c d e k	8401...
		0CB476	Kit Halter Heizelement kpl. (Pos. 15-19)	Kit support heating element complete (Pos. 15+19)	a b c d e k	8401...



5	Alias	Code	Bezeichnung	Description	Ref.	Valid from Serial N°
1	82.2655	OG6908	Abtropfblech	Drip plate	f g h m	
2	82.7036	OC5567	Wasserhahn	Water tap	f g h m	
3	87.4749	OG6909	Mutter G 3/8"	Nut G 3/8"	f g h m	
4	72.2973.96	OKT762	Überlaufsieb für Nudelkocher	Overflow filter	f g h m	
	83.9515	OG8200	UL Sieb	UL Overflow filter	for USA	
5	82.2032.02	OG6910	Isolation vorn und seitlich	Insulation front and side	f g h m	
6	82.2032.07	OG6911	Isolation hinten	Insulation back	f g h m	
7	1 201 1959	OG6987	Nägels für Isolation	Nails for insulation	f g h m	
8	1 201 1961	OG4127	Clips für Isolation	Clips for insulation	f g h m	
9	82.7049	OC6155	Temperatur-Thermostat 120°	Temperature thermostat 120°	f g h m	
10	1 701 3535	OG3588	Unterlegscheibe M5	Washer M5	f g h m	
11	1 701 3008	OG6111	Sechskantmutter M5	Hex nut M5	f g h m	
12	82.7174.01	OG6321	Sensor TC Wasser/Öl	Sensor TC water/oil	f g h m	
13	1 701 3044	OK4612	Sechskantmutter M8	Hex nut M8	f g h m	
14	82.7216	058904	Flachdichtung Ø8.75x1.78	Flat seal Ø8.75x1.78	f g h m	until 8301...
	82.7608	OG8507	Flachdichtung Ø8.30x2.40	Flat seal Ø8.30x2.40	f g h m	8311...
15	82.7048.01	OG6340	Heizelement 400V/10KW/14.4A	Heating element 400V/10KW/14.4A	f g h	until 8391...
	82.7048.04	OG6881	Heizelement 440V/10KW/13.1A	Heating element 440V/10KW/13.1A	m	until 8391...
	82.7048.03	OG8081	Heizelement 200-208V/10KW/27.8A	Heating element 200-208V/10KW/27.8A	for USA	until 8391...
	82.3253.01	OG8406	Heizelement 400V	Heating element 400V	f g h	8401...
	82.3253.04	OG8408	Heizelement 440V (marine)	Heating element 440V (marine)	m	8401...
	82.3253.03	OG8407	Heizelement 200-208V	Heating element 200-208V	for USA	8401...
16	82.3254	OCB474	Halter Heizelement Hinten 20L+40L	Back support heating element	f g h m	8401...
17	82.3255	OCB475	Halter Heizelement Vorne 20L+40L	Front support heating element	f g h m	8401...
		OCB476	Kit Halter Heizelement kpl. (Pos. 16-17)	Kit support heating element complete (Pos. 16-17)	f g h m	8401...



6	Alias	Code	Bezeichnung	Description	Ref.	Valid from Serial N°
1	82.4260	0C4832	Silikondruckschlauch Ø16.6 ø9.5	Silicon pressure hose Ø16.6 ø9.5	all types	
	83.9300	0G8203	Wasserleitung Ø16.6 ø9.5	Silicon water hose Ø16.6 ø9.5	for USA	
1a	12.9924	0G2824	Schlauchklemme 8-14	Hose clamp 8-14	all types	
2	82.7115	0C5566	T-Stück	Tee connection	all types	
3	82.7035	0C6137	Magnetventil V290	Solenoid valve V290	all types	
4	82.2014	*	Halter Wasserklappe	Water inlet support	all types	
5	76.3431	0G4583	Rückschlagventil 3/4"	Check valve 3/4"	all types	
6	1 102 2457	0G5419	Doppelnippel 3/4"	Double nipple 3/4"	all types	
7	1 701 2509	0K4598	Sechskantschraube M5x12	Hex bolt M5x12	all types	
8	1 701 5048	0H9734	Federring M5	Spring washer M5	all types	
9	82.2442	*	Halter Drucksensor	Pressure sensor support	all types	
10	82.7329	*	Halter Abfluss	Drain support	all types	
11	82.7604	0G8123	Auslass montiert	Drain water outlet mounted	all types	
11a	82.7028	0C9660	Abwasserauslass	Drain water outlet	all types	
	83.9315	0G8202	Abwasserauslass UL	Drain water outlet UL	for USA	
12	82.7031	0C8456	Klemmring	Clamb ring	all types	
13	82.7030	0C6800	O-Ring D32.93x3.53	O-ring D32.93x3.53	all types	
14	82.7274	0G6912	Kugelhahn	Ball valve	all types	
15	82.7273.01	0G7722	Ablaufanschluss	Drain connection	all types	
	83.9513	0G8204	Ablaufanschluss UL	Drain connection UL	for USA	
16	82.7098_2	0C0723	Silikondruckschlauch Ø16 ø4	Silicon pressure hose Ø16 ø4	all types	
16a	82.7234	0G6913	Schlauchklemme 10-16	Hose clamp 10-16	all types	
17	82.9060	0G6323	Drucksensor 100mbar	Pressure sensor 100mbar	all types	
18	82.7173.05	0G6794	EPDM Schlauch Ø38 ø30 L=550	EPDM hose Ø38 ø30 L=550	40L	
	82.7173.08	0G6782	EPDM Schlauch Ø38 ø30 L=530	EPDM hose Ø38 ø30 L=530	20L	
	83.9299	0G8201	EPDM Schlauch Ø34.5 ø25.4 L=550	EPDM hose Ø34.5 ø25.4 L=550	for USA	
19	1 201 1886	0KT930	EPDM Schlauch Ø38 ø30 L=180	EPDM hose Ø38 ø30 L=180	all types	
	83.9299	0G8201	EPDM Schlauch Ø34.5 ø25.4 L=180	EPDM hose Ø34.5 ø25.4 L=180	for USA	
18/19a	1 701 2814	0L2728	Schlauchklemme 25-40	Hose clamp 25-40	all types	



7	Alias	Code	Bezeichnung	Description	Ref.	Valid from Serial N°
1	82.0239.02	*	Abdeckung Ablaufhahn links	Cover sheet drain opening left	all types	
	82.0141.02	*	Abdeckung Ablaufhahn links /NHC	Cover sheet drain opening left /NHC	D850	
	83.9407.02	OG8205	Abdeckung Ablaufhahn links UL	Cover sheet drain opening left UL	for USA	
2	82.0239.01	*	Abdeckung Ablaufhahn rechts	Cover sheet drain opening right	D800/900	
	82.0141.02	*	Abdeckung Ablaufhahn rechts /NHC	Cover sheet drain opening right/NHC	D850	
	83.9407.01	OG8206	Abdeckung Ablaufhahn rechts UL	Cover sheet drain opening right UL	for USA	
3	1 701 1143	OG6901	Linsenkopfschraube M5x12	Lenshead screw	all types	
4	1 701 7002	OG2923	Fächerscheibe M5	Fan waher M5	all types	
5	1 701 2509	OK4598	Sechskantschraube M5x12	Hex bolt M5x12	all types	
6	82.7014.KD	OG6221	Mainboard SPARTA	Mainboard SPARTA	40L	
7	75.5000	OG4212	Distanzhalter munststoff	Plastic spacer support	40L	
8	1 115 1757	OG4645	Schütz K3-14X027	Conductor K3-14X027	40L	
	82.9262	OC5051	Schütz K3-32A00 180 USA	Conductor K3-32A00 180 USA	for USA	
9	82.7023	058613	Klemme FV122	Terminal FV122	40L	
10	712 044120.04	OG4918	Keps Mutter M4	Keps nut M4	40L	
11	82.2066	*	Befestigungsblech Ventilator	Ventilator fixation sheet	40L	
12	82.7021	OC3967	Ventilator EBMPAPST Mod.8556 VWR-669	Ventilator EBMPAPST Mod.8556 VWR-669	40L	
13	1 701 2084	OG3586	Zylinderschraube M4x25	Allen set screw M4x25	40L	
14	82.7159	OG6274	Ventilator 60x60x25 622HH (3.5W)	Cooling fan 60x60x25 622HH (3.5W)	all types	
15	82.3009	*	Halteblech Ventilator	Cooling fan support	all types	
16	1 701 3540	2K1478	Unterlegscheibe M3	Washer M3	all types	
17	1 701 1083	OG5755	Zylinderkopfschraube M3x30	Socket cap screw M3x30	all types	
18	82.7023	058613	Klemme FV122	Cable terminal FV122	all types	
19	82.9103	OG6424	Kabel: Haupterdraht L400 6mm ²	Cable: Main earthing cable L400 6mm ²	all types	
20	82.2908	OC0068	Kabelverschraubung PG21	Cable gland PG21	all types	
21	82.9226	OG7024	Gegenmutter Kabelverschraubung PG21	Lock nut PG21	all types	
22	76.9164.01	OG2137	Hauptschalter 25A	Main switch 25A	H800	8041...
	82.9000	OG6902	Kabel: X1 - K1 - K2	Cable: X1 - K1 - K2	40L	
	82.9006	OG6903	Kabel: Sparta - N -Schalter - P	Cable: Sparta - N - Switch - P	40L	
	82.9007.01	OG7363	Kabel: Sparta - Valve L1400mm	Cable: Sparta - Valve L1400mm	40L	
	82.9061.03	OG7481	Kabel: Sparta - Drucksensor B3 Huba L2000mm	Cable: Sparta - Pressure sensor B3 Huba L2000mm	40L	
	82.9009	OG6906	Kabel: Sparta - Ventilator	Cable: Sparta - Ventilator	40L	
	82.9035.02	OG7307	Kabel: Sparta - X0 - X1 Hauptzul. 5x2.5mm ²	Cable: Sparta - X0 - X1 mains 5x2.5mm ²	40L	
	82.9193	OG6900	Kabel: Pastacooker 40LT Marine Elektrobox	Cable: Pastacooker 40LT Marine Electrobox	Marine	
	82.9524	OG8137	Kabel: UL X1 - K1 - K2	Cable: UL X1 - K1 - K2	for all USA	
	82.9525	OG8138	Kabel: UL Sparta - N -Schalter - P	Cable: UL Sparta - N - Switch - P	for all USA	
	82.9526.01	OG8139	Kabel: UL Sparta - Valve L 1400mm	Cable: UL Sparta - Valve L 1400mm	for all USA	
	82.9527.03	OG8134	Kabel: UL Sparta - Drucksensor B3 Huba L 2000mm	Cable: UL Sparta - Pressure sensor B3 Huba L 2000mm	for all USA	
	82.9528	OG8135	Kabel: UL Sparta - Ventilator L2000	Cable: UL Sparta - Ventilator L2000	for all USA	
	82.9509.02	OG8198	Kabel: UL X0 - X1 Hauptzuleitung	Cable: UL X0 - X1 mains	for all USA	