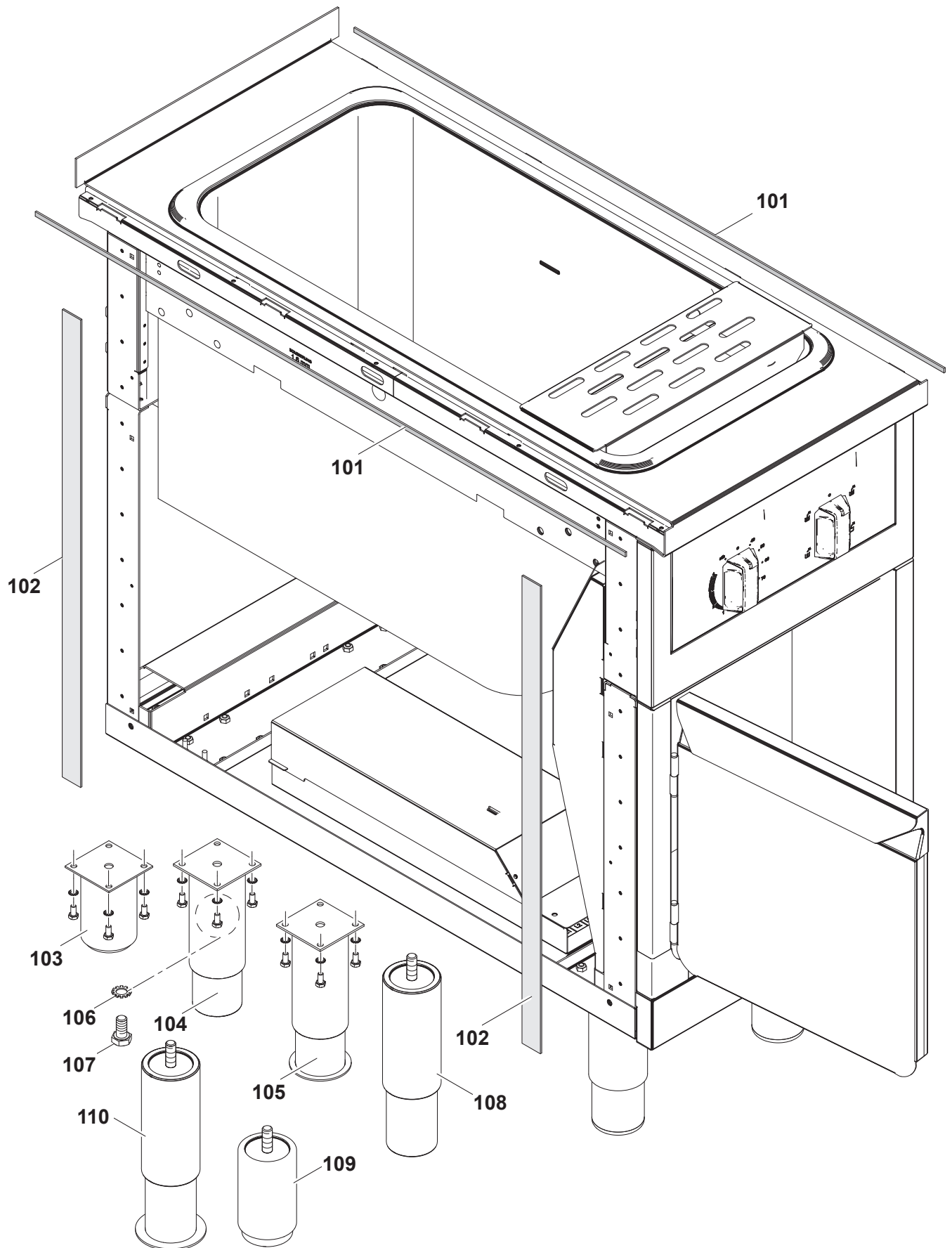


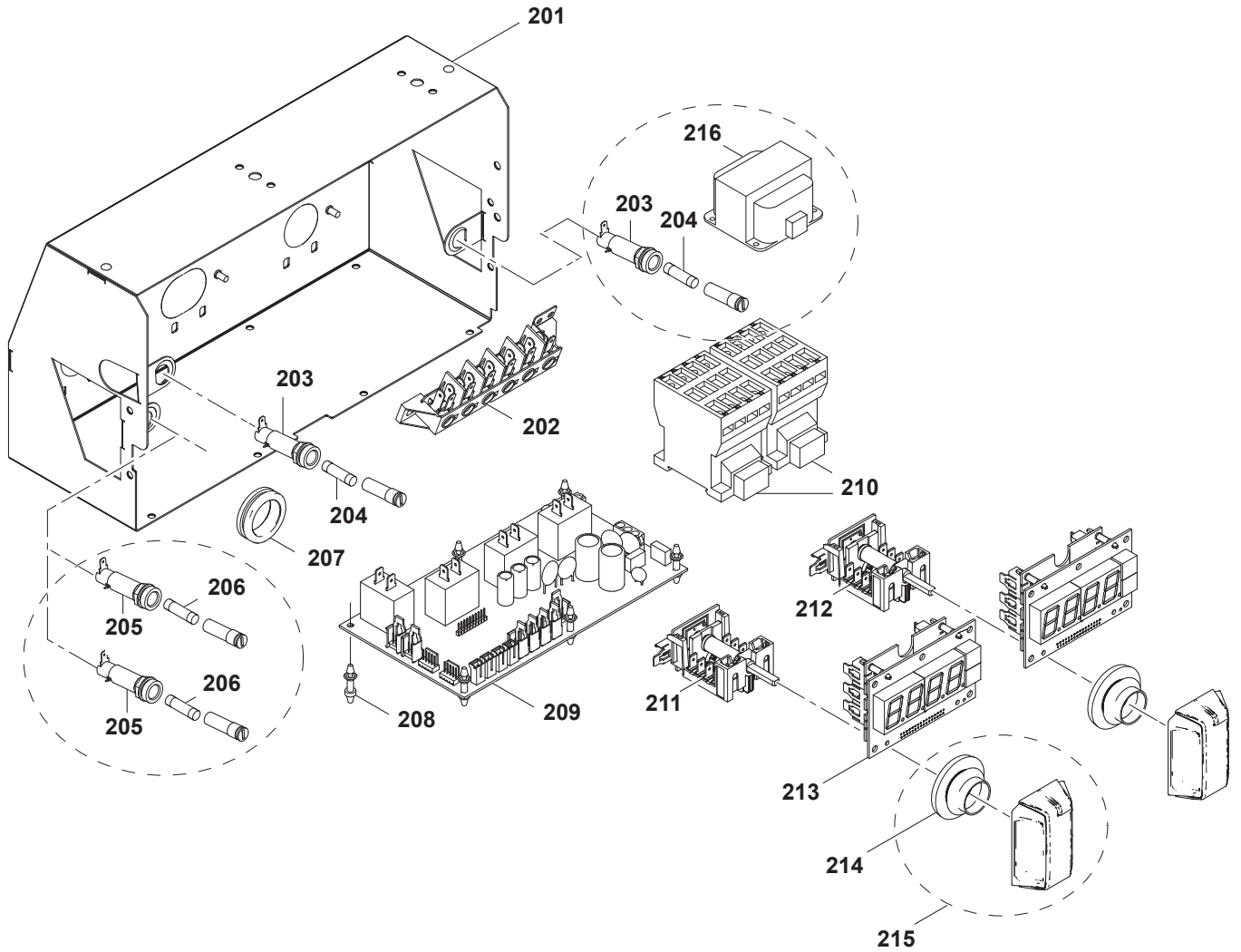
THERMALINE 80/85/90

DE ELEKTRISCHE NUDELKOCHER 20L/40L
EN ELECTRIC PASTA COOKER 20L/40L

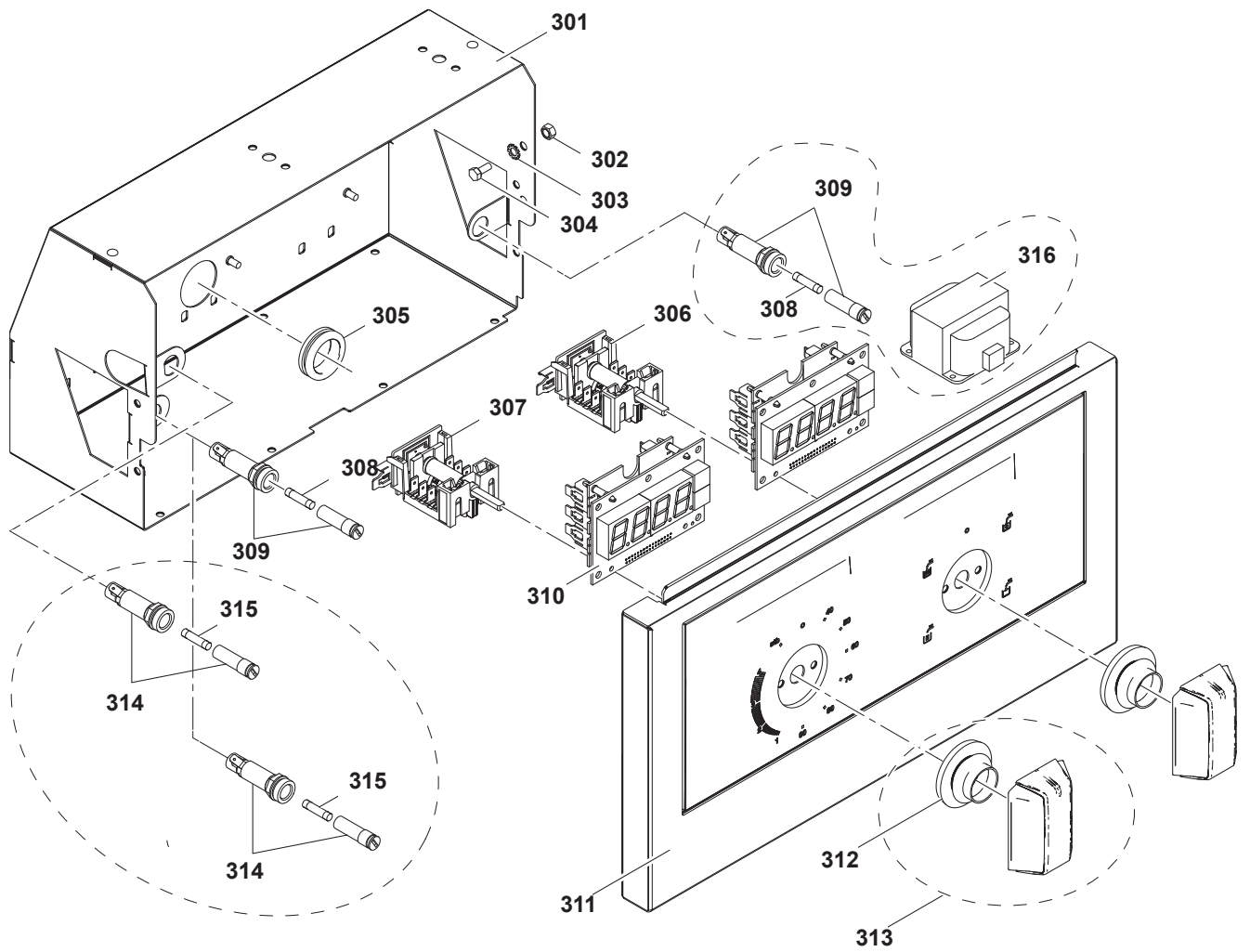
PNC	Factory Model	Ref.	Description
588205	MAKCEADDAO	a	20L, 400X800X700H
588206	MAKCEBDDAO	a	20L, C-BOARD, 400X800X700H
588291	MAKCFADDAO	b	20L, 400X800X800H
588292	MAKCFBDDAO	b	20L, C-BOARD, 400X800X800H
588625	MBKCEBDDAO	c	20L, C-BOARD, 400X850X700H
589471	MCKCEADDAO	d	20L, 400X900X700H
589472	MCKCEBDDAO	d	20L, C-BOARD, 400X900X700H
589475	MCKCFADDAO	e	20L, 400X900X800H
589476	MCKCFBDDAO	e	20L, C-BOARD, 400X900X800H
588627	MBKEGBDDAO	f	40L, C-BOARD, 400X850X700H
589292	MCKEEADDAO	g	40L, 400X900X700H
589293	MCKEEBDDAO	g	40L, C-BOARD, 400X900X700H
589449	MCKEFADDAO	h	40L, 400X900X800H
589450	MCKEFBDDAO	h	40L, C-BOARD, 400X900X800H
589865	MCKCEADDDM	k	MARINE* 20L, 400X900X700H
589864	MCKEEADDDM	m	MARINE* 40L, 400X900X700H

Page	Index	Last Updates	Page	Pos.
2	Feet and joints 20/40L	12/2015	all	
4	Electrical compartment 20 litre	12/2016	2	
6	Electrical compartment 40 litre	11/2017	5	208, 209
8	Mechanical module (FMM) 20 litre	11/2017	7	305
10	Mechanical module (FMM) 40 litre	11/2017	7	314
12	Water connections (FMW) 20/40 litre	01/2018	7, 11, 13, 15	added spare parts for USA
14	Base 20/40 litre	05/2018	13 / 15	611, 618-169a / 722
		11/2018	9 / 11	405 / 514
		12/2018	5 / 7	255 / 313
		03/2019	9	410, 411, 412, 413, 414, 415, 419
			11	515, 516, 517
		05/2019	5 / 7	214, 215 / 312, 313
		08/2024	5 / 6	507, 514 / 601
		09/2024	13	610, 610a

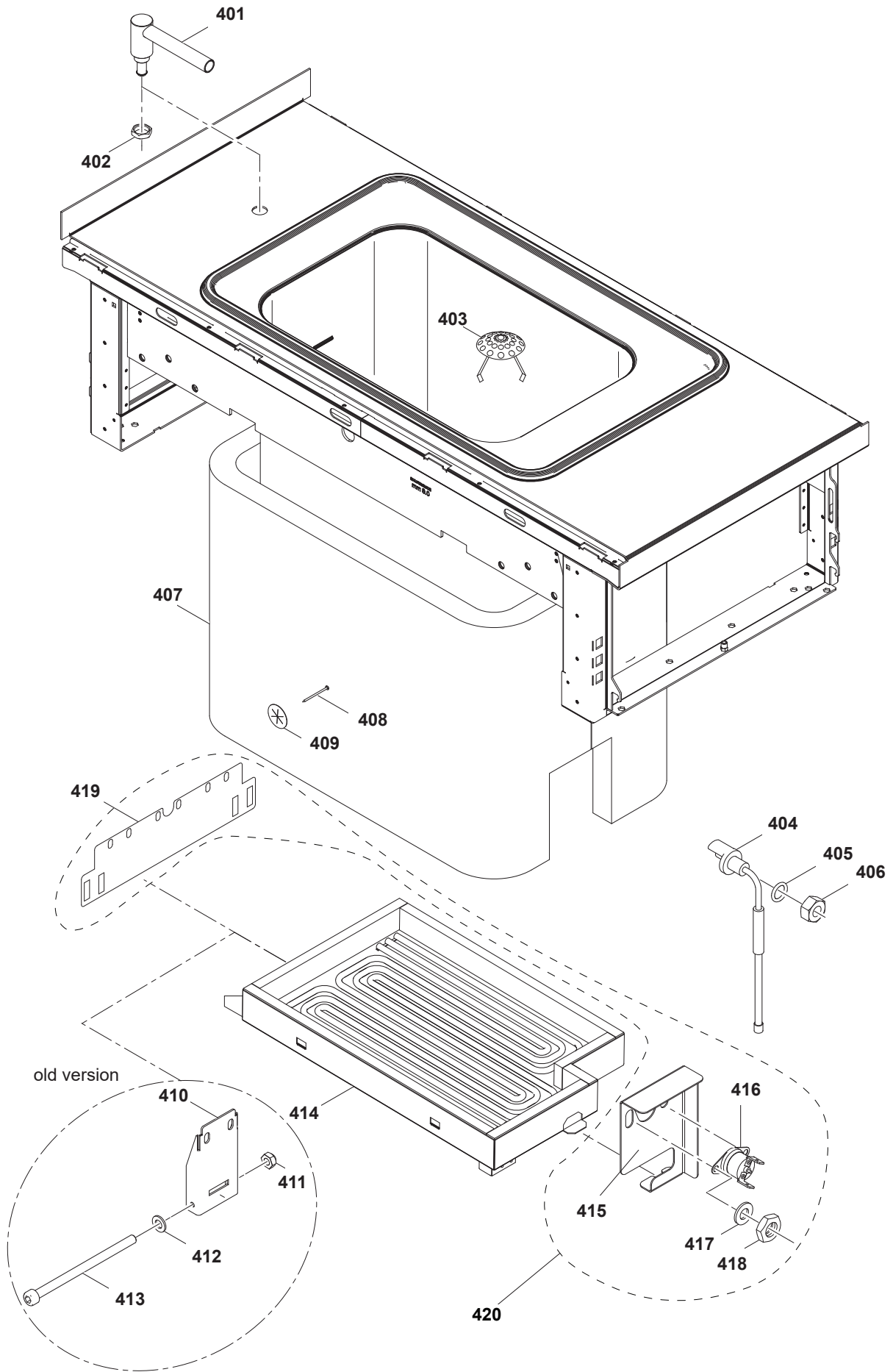




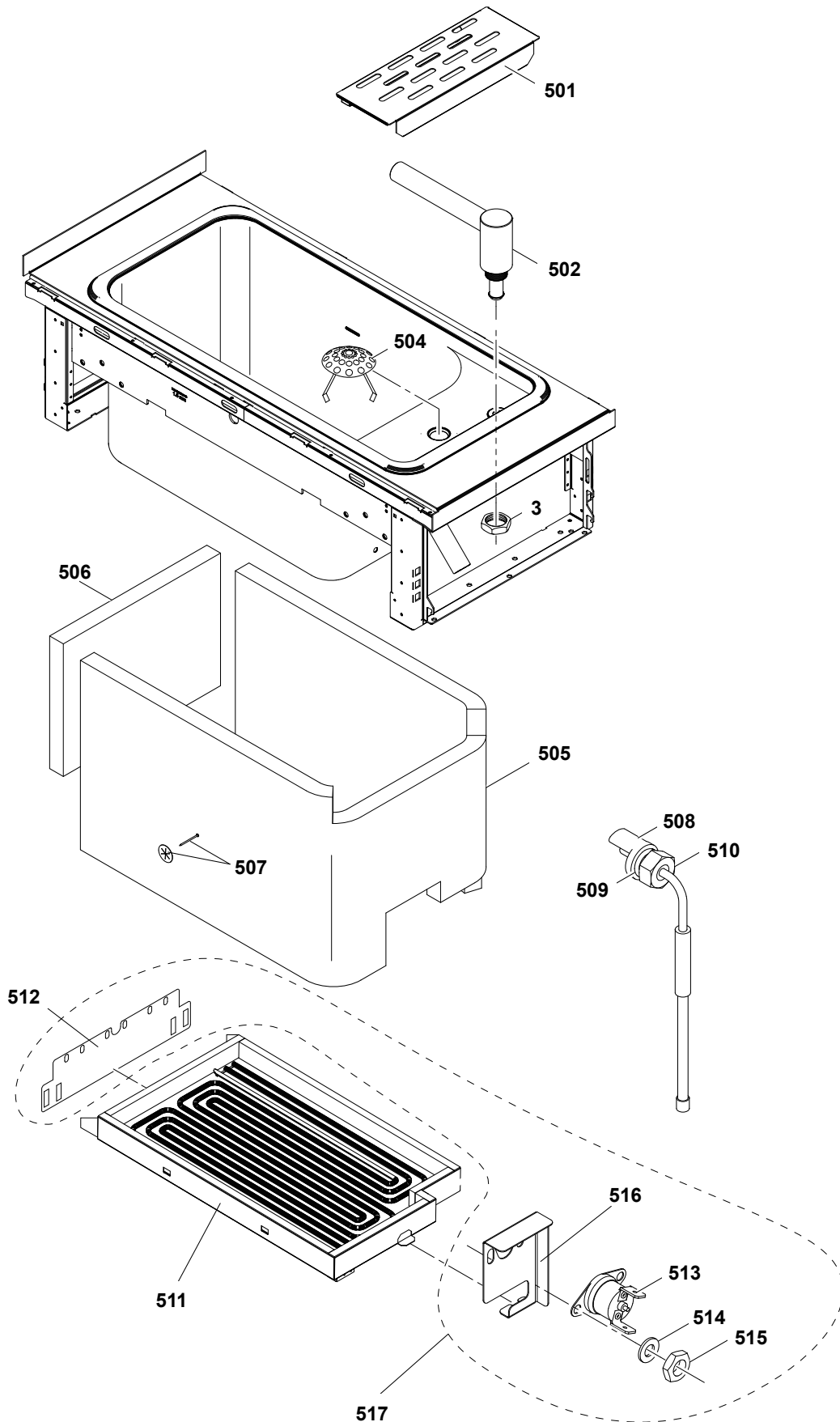
2	Alias	Code	Bezeichnung	Description	Ref.	Valid from Serial N°
201	82.3010	0G7303	Elektrobox	Electrical compartment	a b c d e k	
202	82.7023	058613	Klemme FV122	Cable terminal FV122	a b c d e	
203	82.7093	056582	Halter Sicherung	Fuse holder	a b c d e k	
204	712 344362.01	0G5814	Sicherung 5x20 1 00A	Fuse 5x20 1 00A	a b c d e k	
205	879204	0CB130	Halter Sicherung 6.3x32 500V	Fuse holder 6.3x32 500V	k	
206	82.9171	0TTR73	Sicherung 6.3x32 0.63A 500V	Fuse 6.3x32 0.63A 500V	k	
207	712 044961.17	0KT854	Kabeltülle Ø25/Ø31/Ø35x10	Cable sleeve Ø25/Ø31/Ø35x10	a b c d e k	
208	75.5000	0G4212	Distanzhalter munststoff	Plastic spacer support	a b c d e k	
209	82.7014.KD	0G6221	Mainboard SPARTA	Mainboard SPARTA	a b c d e k	
210	1 115 1757	0G4645	Schütz K3-14x027	Conductor K3-14x027	a b c d e k	
211	82.9018	0G6310	Schalter off-line 5 Stufen + 10K Potentiometer	Switch off-line 5 steps + 10k potentiometer	a b c d e k	
212	82.9016	0G6307	Schalter off-4 Stufen + 10K Potentiometer	Switch off-line 4 steps + 10k potentiometer	a b c d e k	
213	82.7015	0G6246	Eurotas-Display	Eurotas-Display	a b d e k	
213	72.5938.04	0KI362	Anzeigelampe grün	Indicator light, green	c	
213	72.5938.08	0KI364	Einsteckfassung grün/gelb Ø10mm	Lamp holder, green/yellow, Ø10mm	c	
214	82.7009	0G6247	Dichtung Drehgriff	Sealing for handle	a b c d e	
214	82.7628	0G8603	Dichtung Drehgriff	Sealing for handle	colored M2M	
215	82.6637.01	0G7693	Drehgriff Kpl.	Handle complete kit	a b c d e	
215	82.6638.01	0G8620	Drehgriff Kpl.	Handle complete kit	colored M2M	
216	82.9209	006710	Autotransformator 0-240-400-440V - 150VA	Autotransformer 0-240-400-440V - 150VA	k	
	82.9000	0G6902	Kabel: X1-K1-K2	Cable: X1-K1-K2	a b c d e	
	82.9023	0G6961	Kabel: Sparta - Display (L 500mm)	Cable: sparta - display (L 500mm)	a b d e	
	82.9044.01	0G6965	Kabel: Sparta - Potentiometer (L 450mm)	Cable: sparta - potentiometer (L 2000mm)	c	
	82.9002	0G6897	Kabel: Display - Display (L 290mm)	Cable: display - display (L 290mm)	a b d e	
	82.9038.02	0G7183	Kabel: Anzeigelampe S2-H2-x1.N	Cable: indicator light S2-H2-x1.N	c	
	82.9003	0G6899	Kabel: Potentiometer - Display (L 200mm)	Cable: potentiometer - display (L 200MM)	a b d e	
	82.9005	0G6729	Kabel: Sicherheitstherm. - F1 - Schalter	Cable: safety therm. - F1 - switch	a b c d e	
	82.9007.01	0G7363	Kabel: Sparta-Valve different L1400	Cable: Sparta-Valve different L1400	a b c d e	
	82.9061.01	0G7364	Kabel: Sparta-Drucksensor B3 Huba L800	Cable: Sparta-pressure sensor B3 Huba L800	a b c d e	
	82.9009	0G6906	Kabel: Sparta-Ventilator	Cable: Sparta - ventilator	a b c d e	
	82.9037	0G7304	Kabel: Schalter - N - Schalter - P (PC)	Cable: Switch - N - switch - P (PC)	a b c d e	
	82.9035.01	0G6982	Kabel: X0-X1 Hauptzuleitung L1500	Cable: X0-X1 Mains connectio L1500	a b c d e	
	82.9232	0G7325	Kabelbaum Pasta Cooker 20L Marine	Wiring harness Pasta Cooker 20L Marine	k	



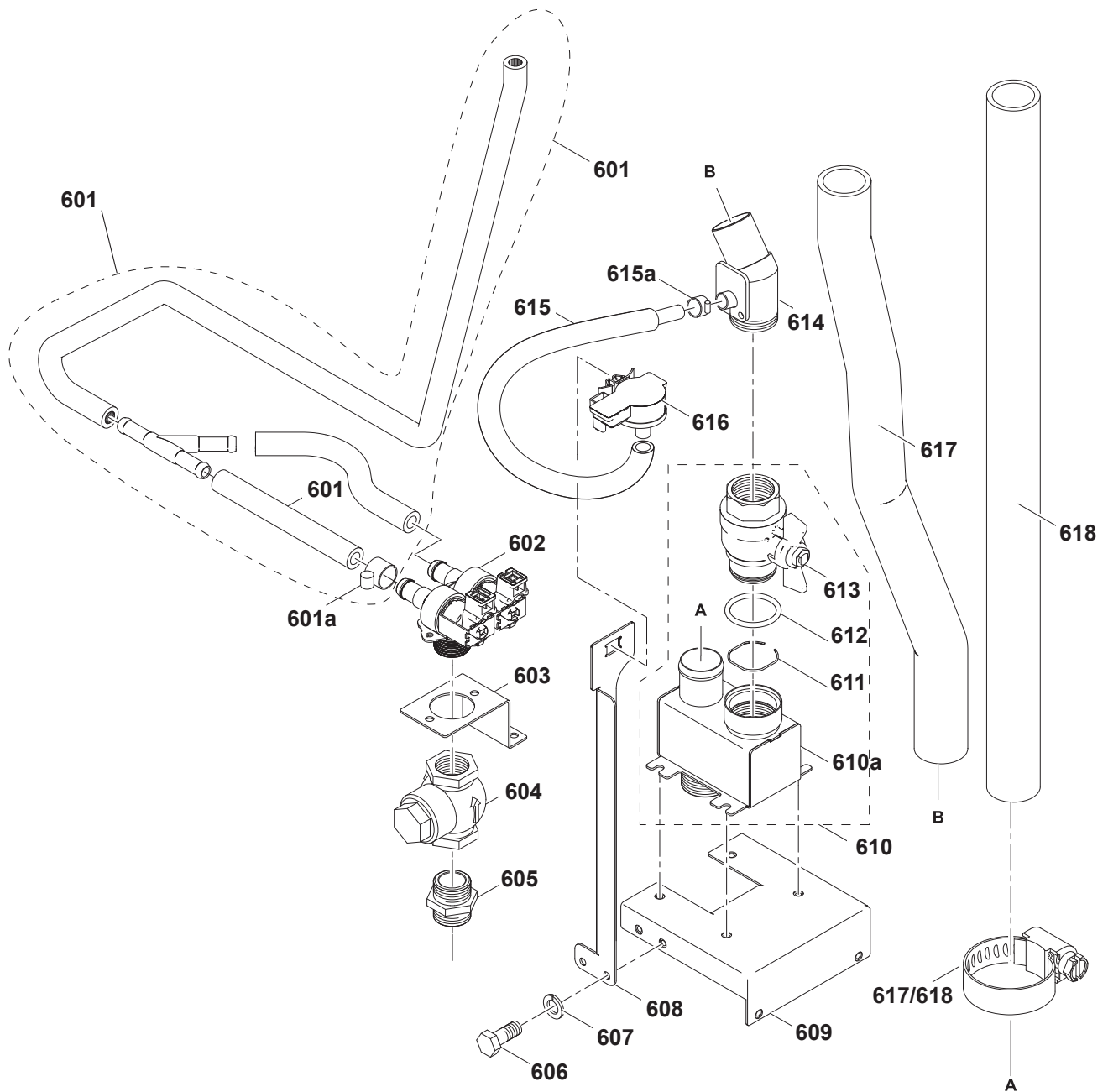
3	Alias	Code	Bezeichnung	Description	Ref.	Valid from Serial N°
301	82.3010	0G7303	Elektrobox	Electrical compartment	f g h m	
302	1 701 3008	0G6111	Sechskantmutter M5	Hex nut M5	f g h m	
303	1 701 7002	0G2923	Fächerscheibe M5	Fan washer M5	f g h m	
304	1 701 2507	0G4653	Sechskantschraube M5x10	Hex bolt M5x10	f g h m	
305	712 044961.17	0KT854	Kabeltülle Ø25/Ø31/Ø35x10	Cable sleeve Ø25/Ø31/Ø35x10	f g h m	
306	82.9016	0G6307	Schalter off-4 Stufen + 10K Potentiometer	Switch off-line 4 steps + 10k potentiometer	f g h m	
307	82.9018	0G6310	Schalter off-line 5 Stufen + 10K Potentiometer	Switch off-line 5 steps + 10k potentiometer	f g h m	
308	712 344362.01	0G5814	Sicherung 5x20 1 00A	Fuse 5x20 1 00A	f g h m	
309	82.7093	056582	Halter Sicherung	Fuse holder	f g h m	
310	82.7015	0G6246	Eurotas-Display	Eurotas-Display	g h m	
310	72.5938.04	OKI362	Anzeigelampe grün	Indicator light, green	f	
310	72.5938.08	OKI364	Einsteckfassung grün/gelb Ø10mm	Lamp holder, green/yellow, Ø10mm	f	
310	72.5938.10	0G8192	Glimmlampe grün UL	Indicator light green UL	for USA	
311	82.1027.62	*	Bedienblende Pastakoher	Control panel pasta cooker	g h m	
311	82.1049.62	*	Bedienblende Pastakoher INOX	Control panel pasta cooker INOX	f	
311	82.1027.208	0G8199	Bedienblende Pastakoher °F	Control panel pasta cooker °F	for USA	
312	82.7009	0G6247	Dichtung Drehgriff	Sealing for handle	f g h m	
312	82.7628	0G8603	Dichtung Drehgriff	Sealing for handle	Colored M2M	
313	82.6637.01	0G7693	Drehgriff Kpl.	Handle complete kit	f g h m	
313	82.6638.01	0G8620	Drehgriff Kpl.	Handle complete kit	Colored M2M	
314	879204	0CB130	Halter Sicherung 6.3x32 500V	Fuse holder 6.3x32 500V	k	
315	82.9171	0TTR73	Sicherung 6.3x32 0.63A 500V	Fuse 6.3x32 0.63A 500V	k	
316	82.9209	006710	Autotransformator 0-240-400-440V - 150VA	Autotransformer 0-240-400-440V - 150VA	k	
	82.9001	0G6461	Kabel: Sparta - Display (L 2200mm)	Cable: sparta - display (L 2200mm)	g h m	
	82.9044.02	0G6181	Kabel: Sparta - Potentiometer (L 2000mm)	Cable: sparta - potentiometer (L 2000mm)	f	
	82.9002	0G6897	Kabel: Display - Display (L 290mm)	Cable: display - display (L 290mm)	g h m	
	82.9045	0G6898	Kabel: Anzeigelampe (L 2000mm)	Cable: indicator light (L 2000mm)	f	
	82.9003	0G6899	Kabel: Potentiometer - Display (L 200mm)	Cable: potentiometer - display (L 200MM)	g h m	
	82.9005	0G6729	Kabel: Sicherheitstherm. - FI - Schalter	Cable: safety therm. - FI - switch	f g h m	
	82.9193	0G6900	Kabel: Elektrobox Marine	Cable: electrical compartment Marine	k	
	82.9529	0G8196	Kabel: UL Sparta - Display (L 2200mm)	Cable: UL sparta - display (L 2200mm)	D800/900 for USA	
	82.9530	0G8188	Kabel: UL Display - Display (L 290mm)	Cable: UL display - display (L 290mm)	D800/900 for USA	
	82.9531	0G8189	Kabel: UL Potentiometer-Display (L 200mm)	Cable: UL potentiometer-display (L 200mm)	D800/900 for USA	
	82.9532	0G8197	Kabel: UL Sicherheitstherm.-FI-Schalter	Cable: UL safety therm.-FI-switch	for all USA	



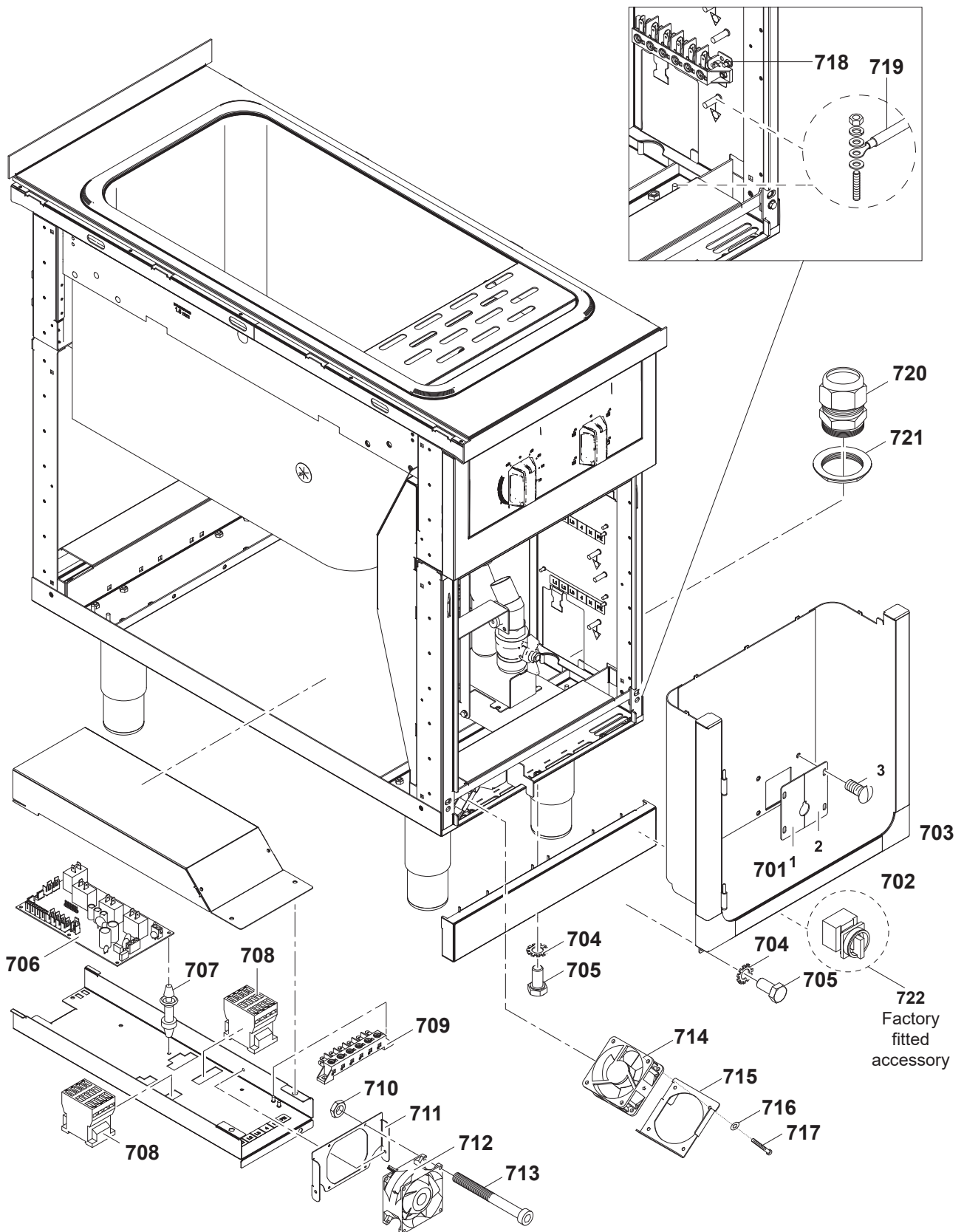
4	Alias	Code	Bezeichnung	Description	Ref.	Valid from Serial N°
401	82.7036	0C5567	Wasserhahn	Water tap	a b c d e k	
402	87.4749	0G6909	Mutter G 3/8"	Nut G 3/8"	a b c d e k	
403	72.2973.96	0KT762	Überlaufsieb für Nudelkocher	Overflow filter	a b c d e k	
404	82.7174.01	0G6321	Sensor TC Wasser/Öl	Sensor TC water/oil	a b c d e k	
405	82.7216	058904	Flachdichtung Ø8.75x1.78	Flat seal Ø8.75x1.78	a b c d e k	until 8301...
405	82.7608	0G8507	Flachdichtung Ø8.30x2.40	Flat seal Ø8.30x2.40	a b c d e k	8311...
406	1 701 3044	0K4612	Sechskantmutter M8	Hex nut M8	a b c d e k	
407	82.2032.01	0G7305	Isolation PC20L	Insulation PC20L	a b c d e k	
408	1 201 1959	0G6987	Nägel für Isolation	Nails for insulation	a b c d e k	
409	1 201 1961	0G4127	Clips für Isolation	Clips for insulation	a b c d e k	
410	82.2015	*	Halter Heizelement 20L+40L	Support	a b c d e k	until 8391...
411	1 701 1078	0G5620	Mutter M5	Nut M5	a b c d e k	until 8391...
412	1 701 3535	0G3588	Unterlegscheibe M5	Washer M5	a b c d e k	until 8391...
413	1 701 2087	0G7306	Innensechskantschraube M5x80	Allen screw M5x80	a b c d e k	until 8391...
414	82.7037.01	0G6276	Heizelement PC20L 400V/3N 6kW	Heating element PC20L 400V/3N 6kW	a b c d e	until 8391...
414	82.7037.04	0G7326	Heizelement PC20L 440V/3- 6kW	Heating element PC20L 440V/3-N 6kW	k	until 8391...
414	82.3256.01	0G8404	Heizelement PC 20LT. 400V	Heating element PC20L 400V	a b c d e	8401...
414	82.3256.04	0G8405	Heizelement PC20L 440V (marine)	Heating element PC20L 440V (marine)	k	8401...
415	82.2016.01	*	Halter Heizelement	Support Heating Element	a b c d e k	until 8391...
415	82.3255	0CB475	Halter Heizelement Vorne 20L+40L	Front support heating element	a b c d e k	8401...
416	82.7049	0C6155	Temperatur-Thermostat 120°	Temperature thermostat 120°	a b c d e k	
417	1 701 3535	0G3588	Unterlegscheibe M5	Washer M5	a b c d e k	
418	1 701 3008	0G6111	Sechskantmutter M5	Hex nut M5	a b c d e k	
419	82.3254	0CB474	Halter Heizelement Hinten 20L+40L	Back support heating element	a b c d e k	8401...
420		0CB476	Kit Halter Heizelement kpl. (Pos. 415-419)	Kit support heating element complete (Pos. 415+419)	a b c d e k	8401...



5	Alias	Code	Bezeichnung	Description	Ref.	Valid from Serial N°
501	82.2655	0G6908	Abtropfblech	Drip plate	f g h m	
502	82.7036	0C5567	Wasserhahn	Water tap	f g h m	
503	87.4749	0G6909	Mutter G 3/8"	Nut G 3/8"	f g h m	
504	72.2973.96	OKT762	Überlaufsieb für Nudelkocher	Overflow filter	f g h m	
504	83.9515	0G8200	UL Sieb	UL Overflow filter	for USA	
505	82.2032.02	0G6910	Isolation vorn und seitlich	Insulation front and side	f g h m	
506	82.2032.07	0G6911	Isolation hinten	Insulation back	f g h m	
507	82.7549		Nägel für Isolation mit Clip	Nails for insulation with clip	f g h m	
508	82.7174.01	0G6321	Sensor TC Wasser/Öl	Sensor TC water/oil	f g h m	
509	1 701 3044	0K4612	Sechskantmutter M8	Hex nut M8	f g h m	
510	82.7216	058904	Dichtung Ø8.75x1.78	Sealing Ø8.75x1.78		until 8301...
510	82.7608	0G8507	Dichtung Ø8.3x2.4	Sealing Ø8.3x2.4		8311...
511	82.7048.01	0G6340	Heizelement 400V/10KW/14.4A	Heating element 400V/10KW/14.4A	f g h	until 8391...
511	82.7048.04	0G6881	Heizelement 440V/10KW/13.1A	Heating element 440V/10KW/13.1A	m	until 8391...
511	82.7048.03	0G8081	Heizelement 200-208V/10KW/27.8A	Heating element 200-208V/10KW/27.8A	for USA	until 8391...
511	82.3253.01	0G8406	Heizelement 400V	Heating element 400V	f g h	8401...
511	82.3253.04	0G8408	Heizelement 440V (marine)	Heating element 440V (marine)	m	8401...
511	82.3253.03	0G8407	Heizelement 200-208V	Heating element 200-208V	for USA	8401...
512	82.3254	0CB474	Halter Heizelement Hinten 20L+40L	Back support heating element	f g h m	8401...
513	82.7049	0C6155	Temperatur-Thermostat 120°	Temperature thermostat 120°	f g h m	8401...
514	1 701 3535	0G3588	Unterlegscheibe M5	Washer M5	f g h m	8401...
515	1 701 3008	0G6111	Sechskantmutter M5	Hex nut M5	f g h m	8401...
516	82.3255	0CB475	Halter Heizelement Vorne 20L+40L	Front support heating element	f g h m	8401...
517		0CB476	Kit Halter Heizelement kpl. (Pos. 512-516)	Kit support heating element complete (Pos. 512-516)	f g h m	8401...



6	Alias	Code	Bezeichnung	Description	Ref.	Valid from Serial N°
601	82.7590		Silikondruckschlauch Ø16.6 ø9.5 mit T-Stück	Silicon pressure hose Ø16.6 ø9.5 with Tee connection	all types	
601	83.9300	OG8203	Wasserleitung Ø16.6 ø9.5	Silicon water hose Ø16.6 ø9.5	for USA	
601a	12.9924	OG2824	Schlauchklemme 8-14	Hose clamp 8-14	all types	
602	82.7035	OC6137	Magnetventil V290	Solenoid valve V290	all types	
603	82.2014	*	Halter Wasserklappe	Water inlet support	all types	
604	76.3431	OG4583	Rückschlagventil 3/4"	Check valve 3/4"	all types	
605	1 102 2457	OG5419	Doppelnippel 3/4"	Double nipple 3/4"	all types	
606	1 701 2509	OK4598	Sechskantschraube M5x12	Hex bolt M5x12	all types	
607	1 701 5048	OH9734	Federring M5	Spring washer M5	all types	
608	82.2442	*	Halter Drucksensor	Pressure sensor support	all types	
609	82.7329	*	Halter Abfluss	Drain support	all types	
610	82.7604	OG8123	Auslass montiert	Drain water outlet mounted	all types	
610	82.7663		Auslass montiert UL	Drain water outlet mounted UL	for USA	
610a	82.7028	OCA570	Abwasserauslass	Drain water outlet	all types	
610a	83.9315	OG8202	Abwasserauslass UL	Drain water outlet UL	for USA	
611	82.7031	OC8456	Klemmring	Clamb ring	all types	
612	82.7030	OC6800	O-Ring D32.93x3.53	O-ring D32.93x3.53	all types	
613	82.7274	OG6912	Kugelhahn	Ball valve	all types	
614	82.7273.01	OG7722	Ablaufanschluss	Drain connection	all types	
614	83.9513	OG8204	Ablaufanschluss UL	Drain connection UL	for USA	
615	82.7098_2	OC0723	Silikondruckschlauch Ø16 ø4	Silicon pressure hose Ø16 ø4	all types	
615a	82.7234	OG6913	Schlauchklemme 10-16	Hose clamp 10-16	all types	
616	82.9060	OG6323	Drucksensor 100mbar	Pressure sensor 100mbar	all types	
617	82.7173.05	OG6794	EPDM Schlauch Ø38 ø30 L=550	EPDM hose Ø38 ø30 L=550	40L	
617	82.7173.08	OG6782	EPDM Schlauch Ø38 ø30 L=530	EPDM hose Ø38 ø30 L=530	20L	
617	83.9299	OG8201	EPDM Schlauch Ø34.5 ø25.4 L=550	EPDM hose Ø34.5 ø25.4 L=550	for USA	
618	1 201 1886	OKT930	EPDM Schlauch Ø38 ø30 L=180	EPDM hose Ø38 ø30 L=180	all types	
618	83.9299	OG8201	EPDM Schlauch Ø34.5 ø25.4 L=180	EPDM hose Ø34.5 ø25.4 L=180	for USA	
617/618a	1 701 2814	OL2728	Schlauchklemme 25-40	Hose clamp 25-40	all types	



7	Alias	Code	Bezeichnung	Description	Ref.	Valid from Serial N°
701	82.0239.02	*	Abdeckung Ablaufhahn links	Cover sheet drain opening left	all types	
701	82.0141.02	*	Abdeckung Ablaufhahn links /NHC	Cover sheet drain opening left /NHC	D850	
701	83.9407.02	0G8205	Abdeckung Ablaufhahn links UL	Cover sheet drain opening left UL	for USA	
702	82.0239.01	*	Abdeckung Ablaufhahn rechts	Cover sheet drain opening right	D800/900	
702	82.0141.02	*	Abdeckung Ablaufhahn rechts /NHC	Cover sheet drain opening right/NHC	D850	
702	83.9407.01	0G8206	Abdeckung Ablaufhahn rechts UL	Cover sheet drain opening right UL	for USA	
703	1 701 1143	0G6901	Linsenkopfschraube M5x12	Lenshead screw	all types	
704	1 701 7002	0G2923	Fächerscheibe M5	Fan waher M5	all types	
705	1 701 2509	0K4598	Sechskantschraube M5x12	Hex bolt M5x12	all types	
706	82.7014.KD	0G6221	Mainboard SPARTA	Mainboard SPARTA	40L	
707	75.5000	0G4212	Distanzhalter munststoff	Plastic spacer support	40L	
708	1 115 1757	0G4645	Schütz K3-14X027	Conductor K3-14X027	40L	
708	82.9262	0C5051	Schütz K3-32A00 180 USA	Conductor K3-32A00 180 USA	for USA	
709	82.7023	058613	Klemme FV122	Terminal FV122	40L	
710	712 044120.04	0G4918	Keps Mutter M4	Keps nut M4	40L	
711	82.2066	*	Befestigungsblech Ventilator	Ventilator fixation sheet	40L	
712	82.7021	0C3967	Ventilator EBMPAPST Mod.8556 VWR-669	Ventilator EBMPAPST Mod.8556 VWR-669	40L	
713	1 701 2084	0G3586	Zylinderschraube M4x25	Allen set screw M4x25	40L	
714	82.7159	0G6274	Ventilator 60x60x25 622HH (3.5W)	Cooling fan 60x60x25 622HH (3.5W)	all types	
715	82.3009	*	Halteblech Ventilator	Cooling fan support	all types	
716	1 701 3540	2K1478	Unterlegscheibe M3	Washer M3	all types	
717	1 701 1083	0G5755	Zylinderkopfschraube M3x30	Socket cap screw M3x30	all types	
718	82.7023	058613	Klemme FV122	Cable terminal FV122	all types	
719	82.9103	0G6424	Kabel: Haupterdraht L400 6mm²	Cable: Main earthing cable L400 6mm²	all types	
720	82.2908	0C0068	Kabelverschraubung PG21	Cable gland PG21	all types	
721	82.9226	0G7024	Gegenmutter Kabelverschraubung PG21	Lock nut PG21	all types	
722	76.9164.01	0G2137	Hauptschalter 25A	Main switch 25A	H800	8041...
	82.9000	0G6902	Kabel: X1 - K1 - K2	Cable: X1 - K1 - K2	40L	Until 8401...
	82.9006	0G6903	Kabel: Sparta - N -Schalter - P	Cable: Sparta - N - Switch - P	40L	Until 8401...
	82.9007.01	0G7363	Kabel: Sparta - Valve L1400mm	Cable: Sparta - Valve L1400mm	40L	
	82.9061.03	0G7481	Kabel: Sparta - Drucksensor B3 Huba L2000mm	Cable: Sparta - Pressure sensor B3 Huba L2000mm	40L	
	82.9009	0G6906	Kabel: Sparta - Ventilator	Cable: Sparta - Ventilator	40L	
	82.9035.02	0G7307	Kabel: Sparta - X0 - X1 Hauptzul. 5x2.5mm²	Cable: Sparta - X0 - X1 mains 5x2.5mm²	40L	Until 8401...
	82.9193	0G6900	Kabel: Pastacooker 40LT Marine Elektrobox	Cable: Pastacooker 40LT Marine Electrobox	Marine	
	82.9524	0G8137	Kabel: UL X1 - K1 - K2	Cable: UL X1 - K1 - K2	for all USA	
	82.9525	0G8138	Kabel: UL Sparta - N -Schalter - P	Cable: UL Sparta - N - Switch - P	for all USA	
	82.9526.01	0G8139	Kabel: UL Sparta - Valve L 1400mm	Cable: UL Sparta - Valve L 1400mm	for all USA	
	82.9527.03	0G8134	Kabel: UL Sparta - Drucksensor B3 Huba L 2000mm	Cable: UL Sparta - Pressure sensor B3 Huba L 2000mm	for all USA	
	82.9528	0G8135	Kabel: UL Sparta - Ventilator L2000	Cable: UL Sparta - Ventilator L2000	for all USA	
	82.9509.02	0G8198	Kabel: UL X0 - X1 Hauptzuleitung	Cable: UL X0 - X1 mains	for all USA	
	82.9310	0G8309	Kabelbaum Pastacooker	Wiring Harness Pasta Cooker		from 841l...